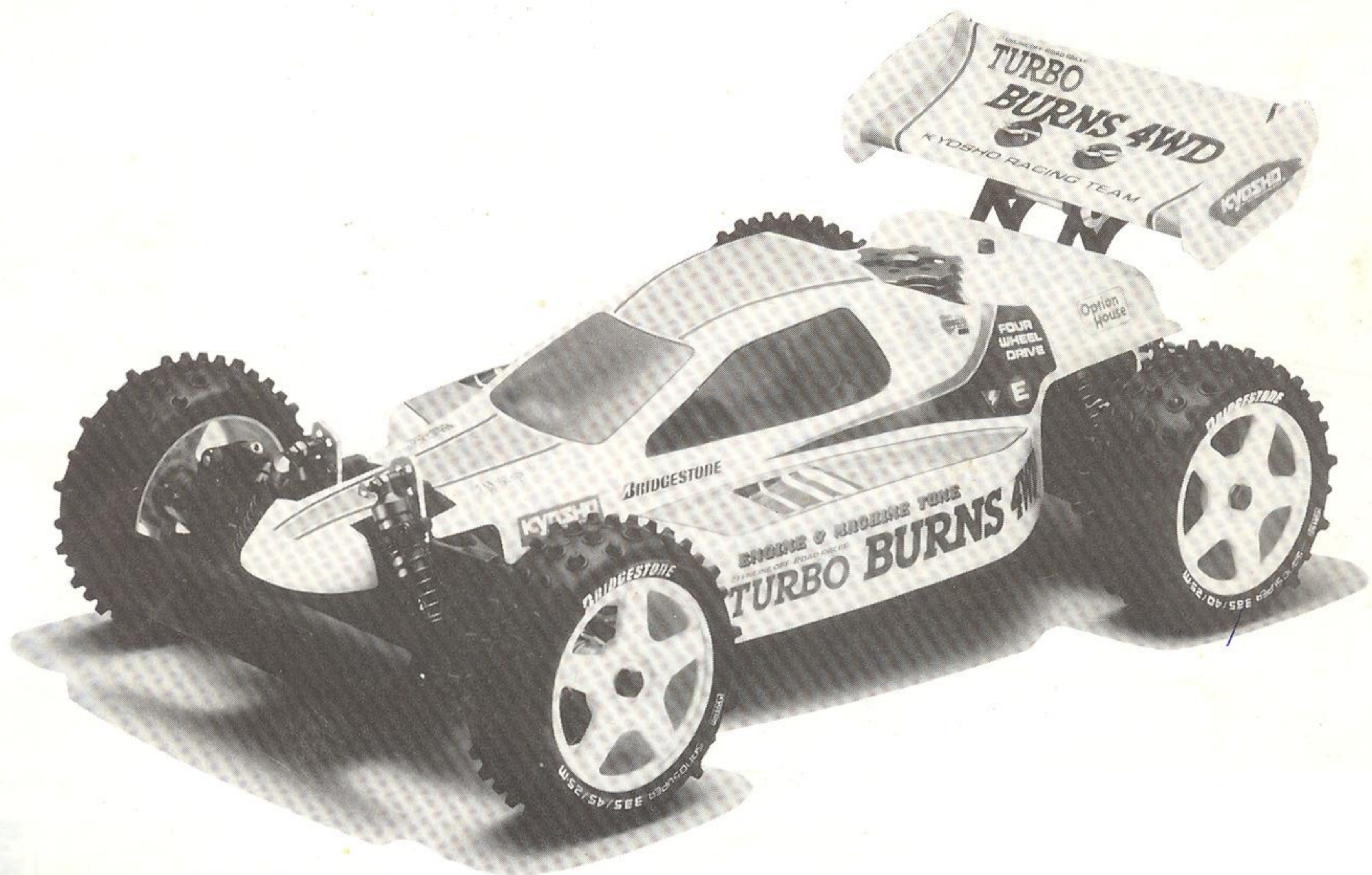


RADIO CONTROLLED 21 ENGINE POWERED RACING BUGGY

**21 ENGINE OFF-ROAD RACER**  
**TURBO BURNS 4WD**

- COMPETITION ENGINEERED HIGH-PERFORMANCE FOUR-WHEEL DRIVE OFF-ROAD BUGGY.
- SUPERB HANDLING ON ALL TRACK SURFACES ALL-INDEPENDENT SUSPENSION WITH EXTENDED WHEEL TRAVEL.
- HIGH-EFFICIENCY POWER TRAIN WITH DRIVE SHAFTS. TRIPLE DIFFERENTIALS, AND A FULL SET OF BALL BEARINGS.
- FACTORY ASSEMBLED CENTER DIFF. LOW-RESTRICTION MUFFLER AND MANIFOLD INCLUDED.
- STRONG, LIGHT CHASSIS. GLASS-REINFORCED SUSPENSION AND STRUCTURAL PARTS.
- DESIGNED FROM THE GROUND UP FOR TOP PERFORMANCE.
- 21 CLASS ENGINE (NOT INCLUDED)
- 2 CHANNEL RADIO SYSTEM (NOT INCLUDED)

1:8 SCALE

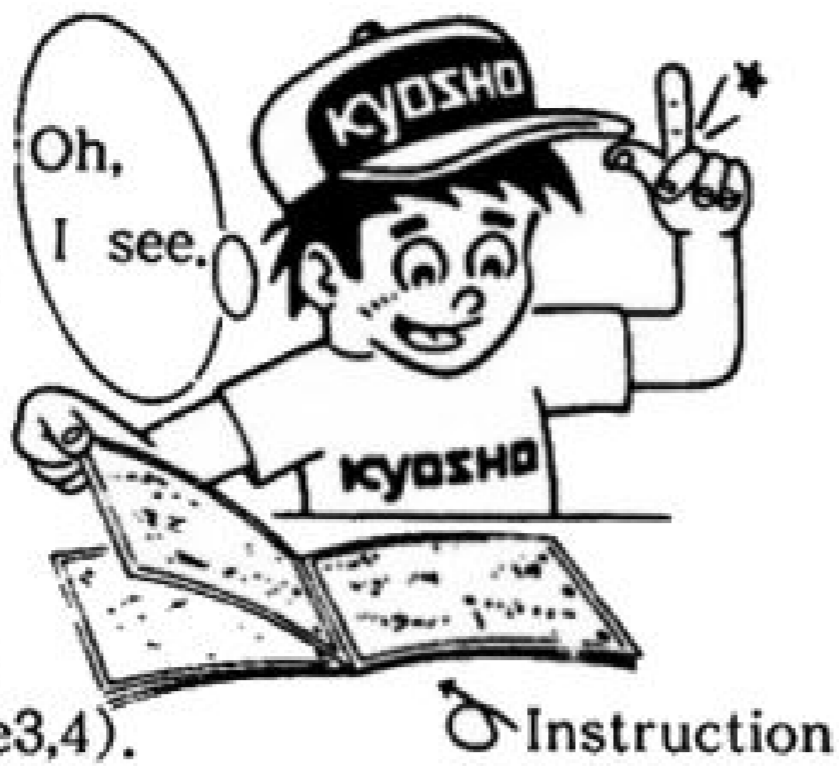


**KYOSHO**  
THE FINEST RADIO CONTROL MODELS

KIT No.3097

## BEFORE ASSEMBLY

○ Read the instruction carefully, you can assemble the kit more easily if you have grasped the general idea of steps and structure beforehand by reading it through to the end.



○ Check the parts in the kits. Check to see if all the parts are correctly bagged as they are listed in the "List of Bagged Parts" (page 3,4). Your thorough understanding of the assembly will enable you to build the kit without any difficulty.

Check the components in the kit prior to your starting of the assembly.



Any claims for replacements or refunds for the model in the process of assembly will not be accepted.

○ Learn the marks described in the instruction.

**SW CEMENT** ... Place to put some loctite.

It will prevent the screws and nuts get loosen by vibration while running.

**GREASE** ... Point where grease should applied.

It will reduce friction and assure smooth movements.

Be well aware of the different types of screws.

1) The difference between the TP screw (short form of self-tapping screw) and ordinary screw is...

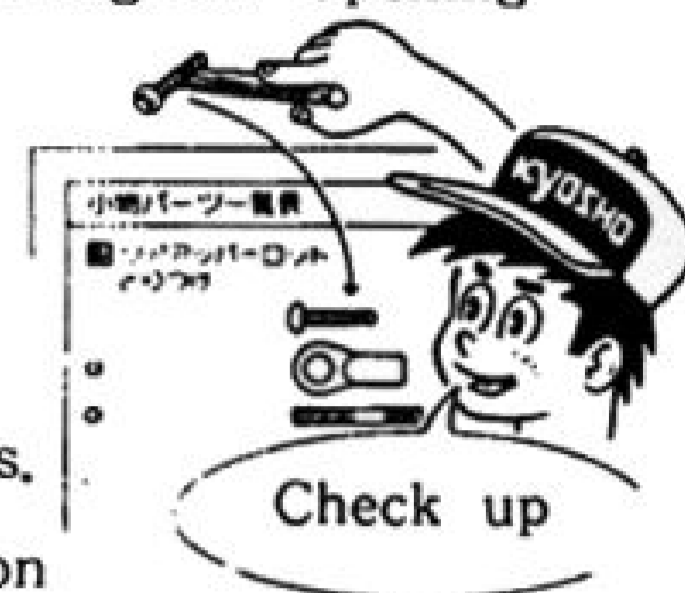
● TP Screw ● Ordinary Screw   
Coarser Thread Some of them pointed tip. Finer Thread

2) The kinds of screws which will be used in this instruction.

● Bind Screw ● Set Screw Hexagonal Opening  
● Flat Head Screw ● Cap Screw Hexagonal Opening

● Flange Cap Screw Flange Hexagonal Opening

○ Pick up the correct parts and screw. Compare the shape and size of small parts, such as screws, nuts and washers.



○ Be sure about the location and direction of parts to install.

Double-check the location and orientation of parts with the illustration before installation. When necessary, assemble the parts themselves tentatively before proceeding to the next step.

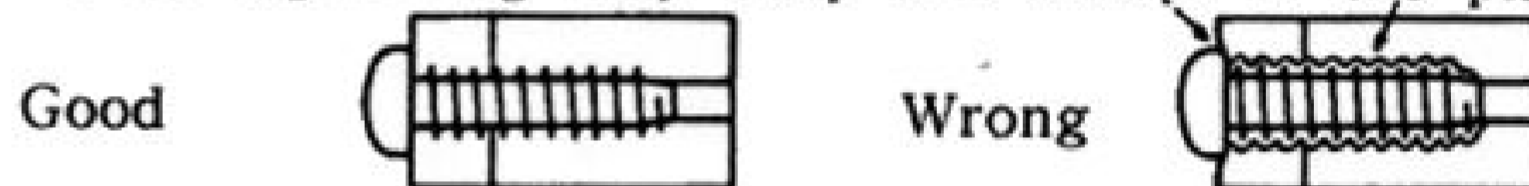


○ Do not tighten the self-tapping screw too tight.

Do not use excessive force when tightening the self-tapping screw, or you may strip the thread in the plastic.

It is recommended to stop tightening it when the thread part on the screw goes into the plastic part and you feel some resistance from the tightening.

Over tightening may strip the thread in the plastic.

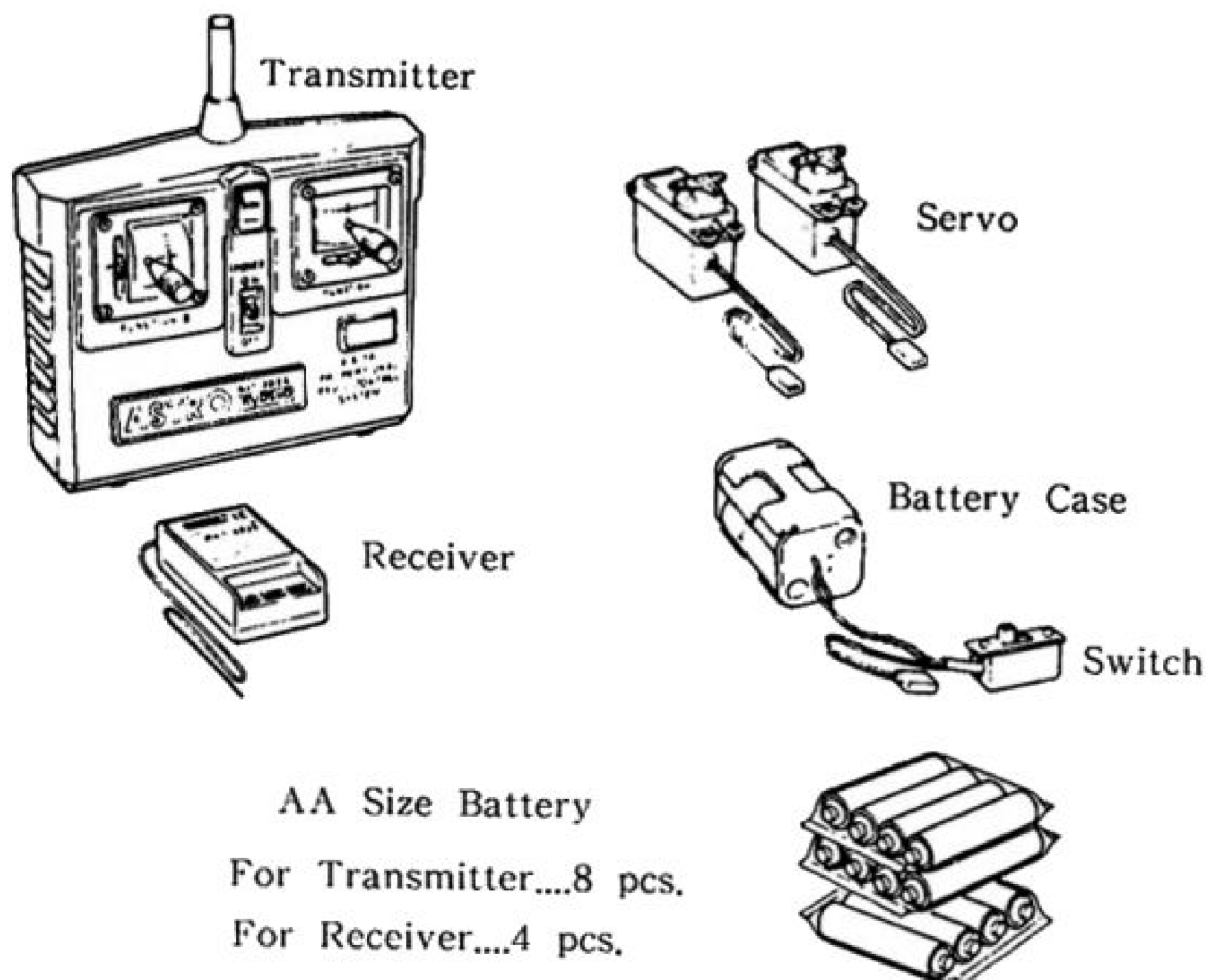


## THINGS NEED BESIDES THE KIT

< 2 Channel Radio System >

Two types of radio control set are on the market, the stick and the steering wheel type. Choose which ever you like.

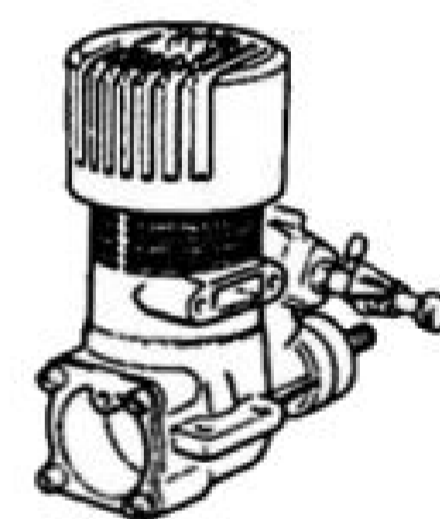
\* This model car is provided with a rather large space so that you can mount bigger radio control units.



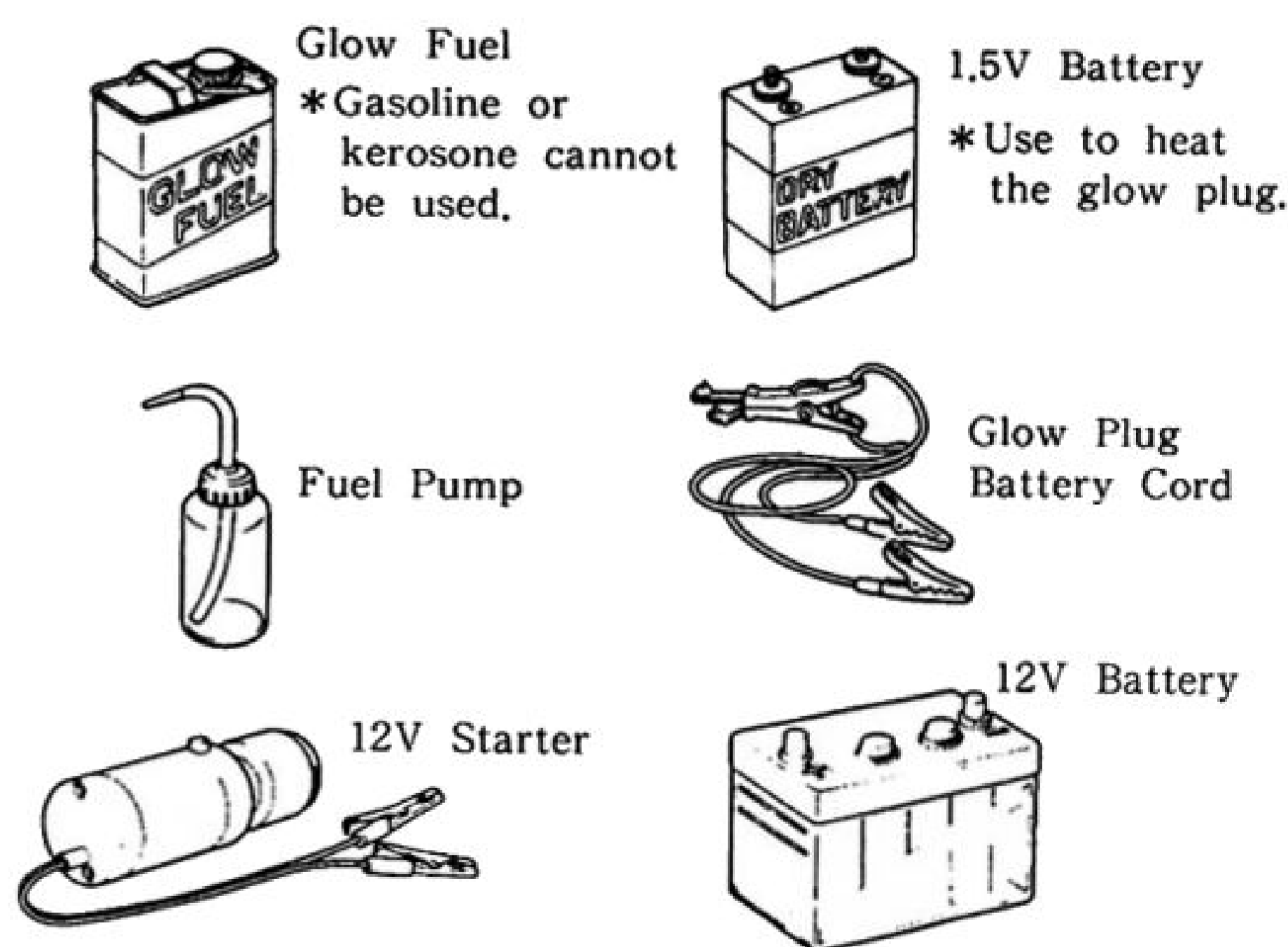
(Engine)

The following .21 size engines can be used for this model car.

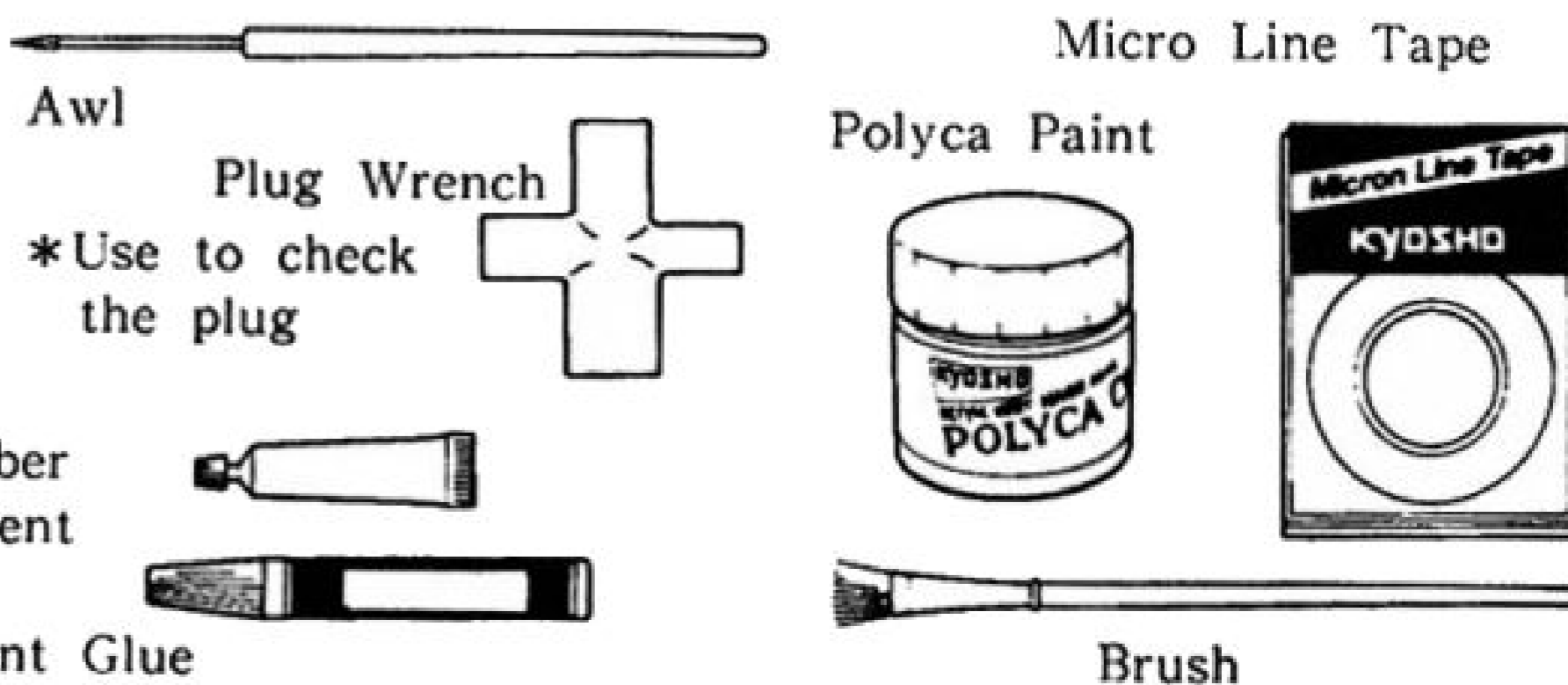
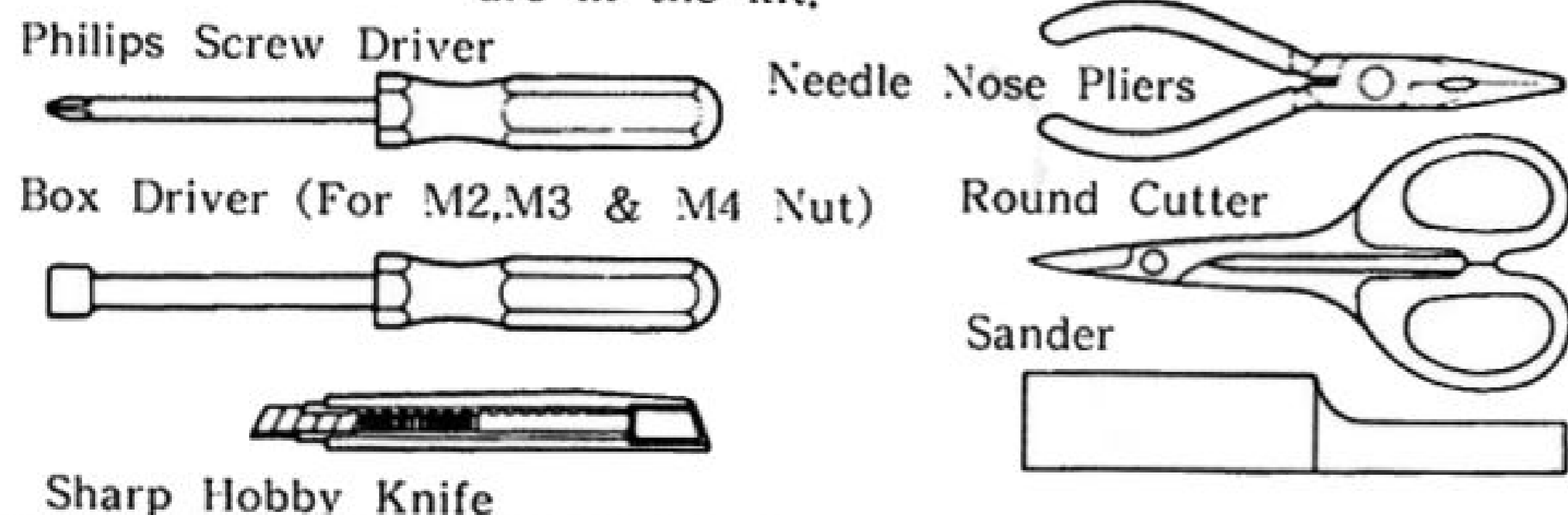
OS 21 VFB  
ENYA 21 CXL



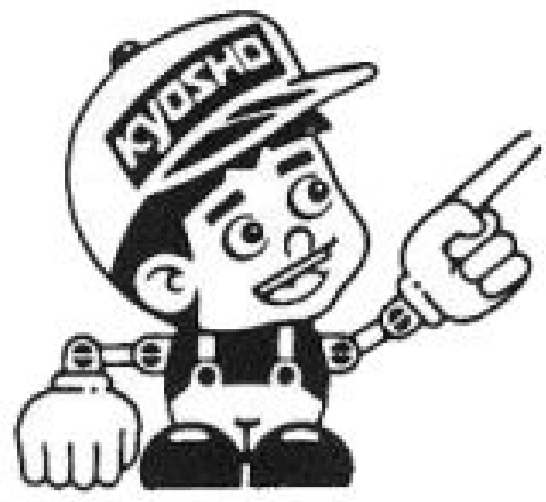
< Things need to start the engine >



< Tools Required > Wrench, Hex key, Grease and SW-Cement are in the kit.



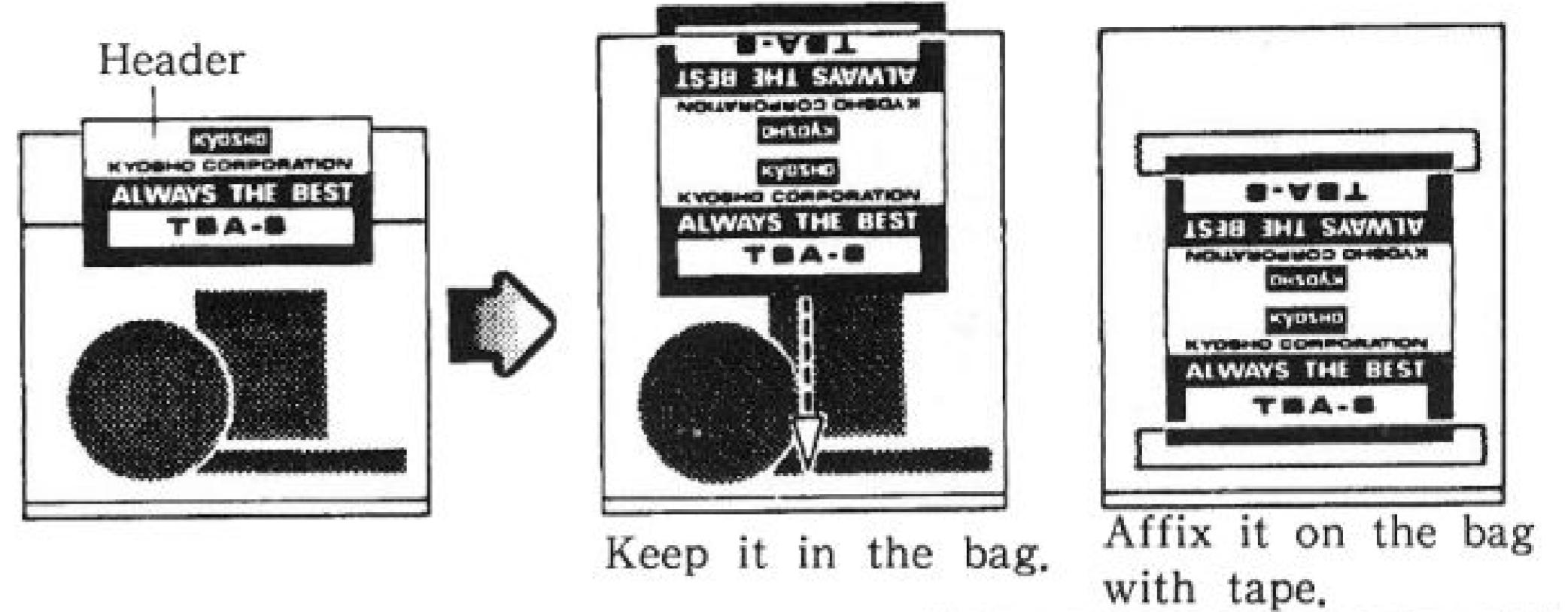
List of Bagged Parts (1) The key numbers with ★ indicate the plastic parts on a runner.  
See page 20 for the layout drawing.



《Do not throw away a bag header》

The symbol in the brackets after a name of parts in this instruction is the header number in which the part is contained.

The header is the only thing to rely upon when looking for a part. Do not discard it until you finish the assembly.



Bag No.	Key #	Parts Name	Q'ty	Step
TBA-2	Assembly	Front Gearbox	1 Set	<b>7</b>
	Assembly	Rear Gearbox	1 Set	<b>4</b>
	Assembly	Adjust Center Diff. Gear	1 Set	<b>10</b>
TBA-3	27	Rear Hub (L)	1	<b>5</b>
	141	Rear Hub (R)	1	<b>5</b>
	138	Front Suspension Arm	2	<b>8</b>
	26	Rear Suspension Arm	2	<b>5</b>
	43	6,8 φ Ball End	8	<b>6 10</b>
	★ 29	Upper Sus.(A)	2	<b>4</b>
	★ 30	Upper Sus.(B)	4	<b>4 8</b>
	★ 144	Upper Sus.(C)	2	<b>8</b>
	57	Center Diff. Housing (A)	1	<b>10</b>
	58	Center Diff. Housing (B)	1	<b>10</b>
	52	Hub Carrier (R)	1	<b>8</b>
	53	Hub Carrier (L)	1	<b>8</b>
	17	5,8 φ Ball End	6	<b>5 16</b>
	18	Rear Sus. Holder	1	<b>4</b>
	★ 133	Front Sus. Upper Holder	1	<b>7</b>
	★ 100	Servo Fixing Stay (A)	1	<b>15</b>
	★ 101	Servo Fixing Stay (B)	1	<b>15</b>
	★ 85	Fuel Tank Pivot	1	<b>11</b>
	★ 135	Body Hook	1	<b>6</b>
	★ 136	Servo Spacer	2	<b>15</b>
★ 165	Muffler Stay	1	<b>15</b>	
TBA-4	73	Tie Rod (A)	3	<b>6 10</b>
	74	Tie Rod (B)	1	<b>10</b>
	65	Servo Saver Shaft (A)	2	<b>10</b>
	44	8 φ Aluminum Collar	2	<b>16</b>
	39	3 φ Stopper	4	<b>5 8</b>
	84	Torque Rod Pivot	1	<b>12</b>
	42	6,8 φ Ball (Silver)	7	<b>6 10</b>
	120	Wheel Stopper Bolt	4	<b>20</b>
	75	6 φ Aluminum Collar	5	<b>10 16</b>
	118	Wheel Stopper	4	<b>20</b>
	54	King Pin	4	<b>8</b>
	119	O Ring (L)	4	<b>20</b>
	117	2,6 φ x16 Shaft	4	<b>20</b>
	TBA-5	83	Mount Plate	2
108		Plate Joint	1	<b>16</b>
60		Brake Pads	2	<b>10</b>
49		Front Shock Stay	1	<b>7</b>
34		Rear Shock Stay	1	<b>4</b>
148		Wing Joint	2	<b>18</b>

Bag No.	Key #	Parts Name	Q'ty	Step
TBA-5	55	Universal Swing Shaft	2	<b>8</b>
	33	Swing Shaft	3	<b>5 13</b>
	81	Rear Center Shaft	1	<b>11</b>
	62	Brake Stopper	1	<b>10</b>
TBA-6	37	4 φ x78 Shaft	2	<b>5</b>
	147	4 φ x67 Shaft	2	<b>8</b>
	36	3 φ x43 Shaft	8	<b>4 5 8</b>
	35	3 φ x28 Shaft	8	<b>5 6 8 9</b>
	23	Joint	2	<b>4 7</b>
	32	Rear Wheel Shaft	2	<b>5</b>
	166	O Ring (P4)	2	<b>13</b>
	TBA-7	★ 77	Radio Plate	1
★ 79		Servo Fixing Post	4	<b>11</b>
59		Disk Brake	1	<b>10</b>
69		Servo Saver Horn (A)	1	<b>10</b>
70		Servo Saver Horn (B)	1	Assembly <b>10</b>
71		Servo Saver Horn (C)	1	
68		Servo Saver Spring	1	
72		E Ring (E7)	2	
66		Servo Saver Shaft (B)	1	
86		Bumper	1	<b>13</b>
96		Clutch Bell (13T)	1	<b>14</b>
89		Flywheel	1	Assembly <b>14</b>
90		Clutch Pin	2	
92		Clutch Shoe	2	Assembly <b>14</b>
93		Clutch Spring	1	
50		Knuckle Arm (R)	1	<b>8</b>
51		Knuckle Arm (L)	1	<b>8</b>
102	Wing Stay (L)	1	<b>18</b>	
103	Wing Stay (R)	1	<b>18</b>	
150	Wing Plastic Washer	2	<b>23</b>	
168	Wing Holder (L)	1	<b>18</b>	
169	Wing Holder (R)	1	<b>18</b>	
159	Rear Stabilizer	1	<b>4</b>	
TBA-8	61	Brake Cam	1	<b>10</b>
	91	Pilot Shaft	1	<b>14</b>
	112	Linkage Guide (B)	1	<b>17</b>
	63	Brake Lever	1	<b>10</b>
	153	Brake Rod	1	<b>17</b>
	111	Engine Control Spring	1	<b>17</b>
	110	2 φ Stopper	5	<b>17</b>
	158	Stabilizer Ball	2	<b>5</b>
88	Engine Mount	2	<b>14</b>	

List of Bagged Parts (2)

Bag No.	Key #	Parts Name	Q'ty	Step
TBA-8	105	Aluminum Pipe	1	15
	106	Rubber Bush	1	15
	78	Switch Boot	1	11
	109	M3x30 Rod	3	5 16
	164	Nipple	1	15
	28	8 φ x16 Bearing	8	5 8
	94	Clutch Bearing Case	1	Assembly
	95	Clutch Rollar	8	14 Small Bag
	38	E Ring (E3)	2	8
		6 φ x18 Washer	1	14
		5 φ Washer	1	14
	152	Wing Aluminum Washer	6	18
	167	5.8 φ Ball	4	5 16
TBA-9	104	Fuel Tank	1	15
		Shock Oil	1	2
	139	Silicone Grease	1	
	140	Screw Locking Compound	1	
		Big Pressure Shock (S)	2	1
		Big Pressure Shockl (L)	2	1
	★ 41	Shock Bush	8	6 9 Small Bag
	★	Shock Piston (Soft)	4	16 page
		Shock Piston (Medium)	4	φ φ
	3	Shock O Ring (Orange)	8	1
	4	Shock C Ring	8	1
	5	Shock Collar (White)	4	1
	6	Plastic Washer (Black)	4	1
	8	6.8 φ Ball (Black)	4	3
	9	Pressure Top	4	2
		M3x20 Cap Screw	4	4 7
	TBA-10	142	Engine Control Rod	1
134		Strap (M)	4	14 15
80		Strap (L)	1	11
107		Tube	1	15
146		Air Cleaner	1組	14
76		Antenna Pipe	1	11
67		Front Gear Cover	1	8
40		Rear Gear Cover	1	4
99		Silicone Tube	1	15
87		Manifold	1	14
98		Muffler	1	15
BOX		121	Body	1
	160	Wing	1	21
	64	Side Guard	1	15 page
	143	Main Chassis	1	10
	113	Rear Wheel	1	19
	114	Front Wheel	2	19
	115	Rear Tire	2	19
	116	Front Tire	2	19
	145	Decal	1	
		Instruction	1	

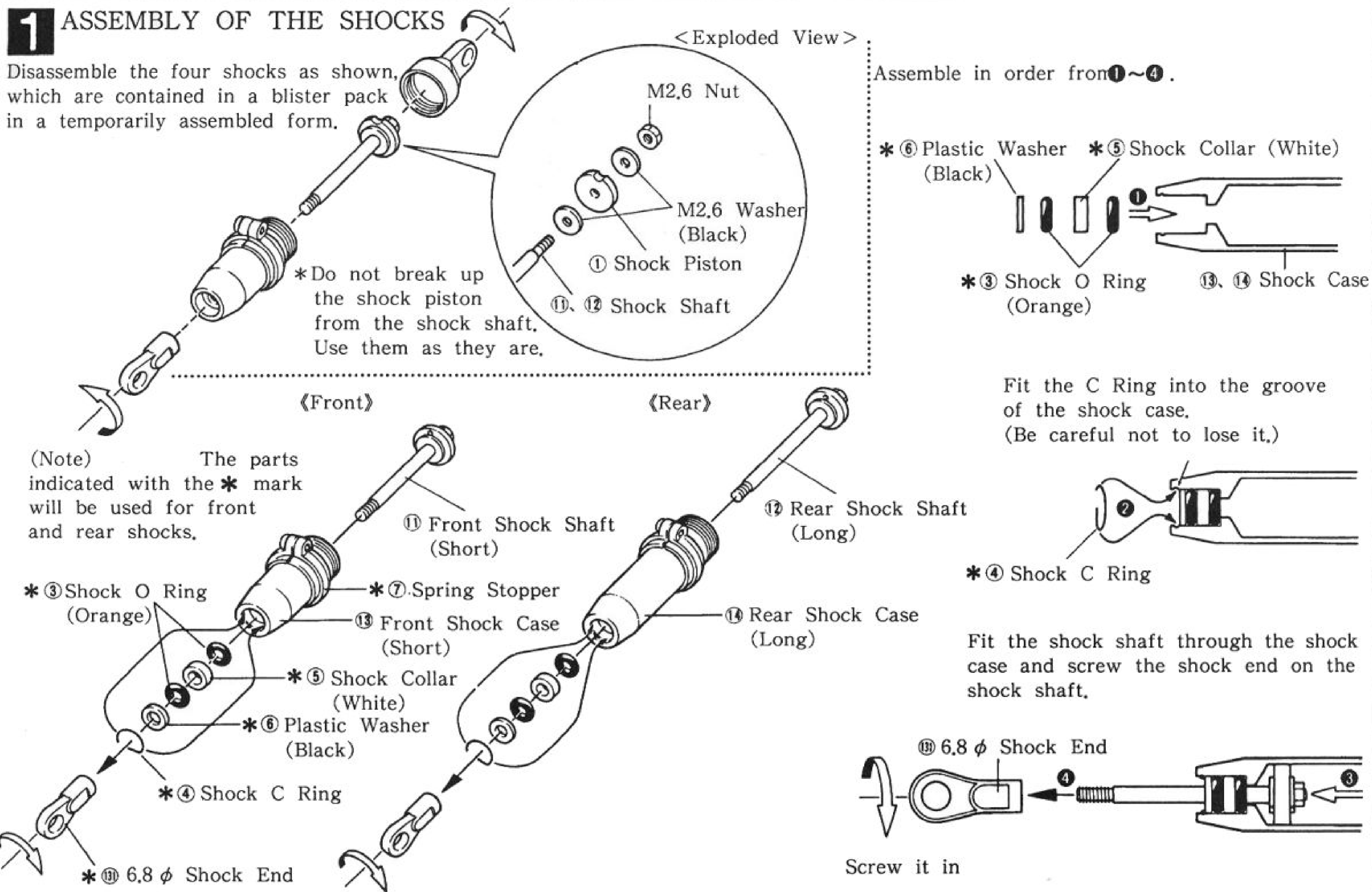
Bag No.	Key #	Parts Name	Q'ty	Step
	2	E Ring (E2.5)	18	4 5 8
	38	E Ring (E3)	10	5 8 14
	122	Body Pin	5	23
		M4 X 8 Flat Head Screw	4	
		M4 X 10 "	2	
		M3 X 12 "	3	
		M3 X 15 "	3	
		M3 X 8 Bind Screw	6	
		M3 X 10 "	1	
		M3 X 25 "	2	
		M4 X 15 "	2	
		M3 X 12 "	2	
		M3 X 15 "	1	
		M3 X 10 TP Bind Screw	12	
		M3 X 15 "	10	
		M4 X 15 "	6	
		M4 X 18 "	4	
		M4 X 15 TP FlatHeadScrew	10	
		M4 X 20 "	8	
TBA-1		M4 X 25 "	6	
		M3 X 10 Cap Screw	5	
		M3 X 15 "	8	
		M3 X 18 "	4	
		M3 X 20 "	5	
		M4 X 10 " (Flange)	4	
		M3 X 3 Set Screw	12	
		M3 X 5 "	4	
		M4 X 12 "	6	
		M5 X 4 "	2	
	31	M5 X 40 "	4	4 8
		M2 Nut	1	
		M3 Nut	2	
		M3 Flange Nut	8	
		M3 Nylon Nut	18	
	82	3 φ X 9.5 φ X 1 Washer	2	18
	163	8 φ X 16 φ X 1.5 "	6	20
		3 φ X 8 φ X 0.5 "	4	
		13 φ X 16 φ X 0.15 Shim	6	
		8 φ X 12 φ X 0.2 "	8	
		Hex Wrench (1.5)	1	
		" (2)	1	
		" (2.5)	1	
		" (3)	1	

TBA-1

Screws  
Nuts  
washers  
& Others

# 1 ASSEMBLY OF THE SHOCKS

Disassemble the four shocks as shown, which are contained in a blister pack in a temporarily assembled form.



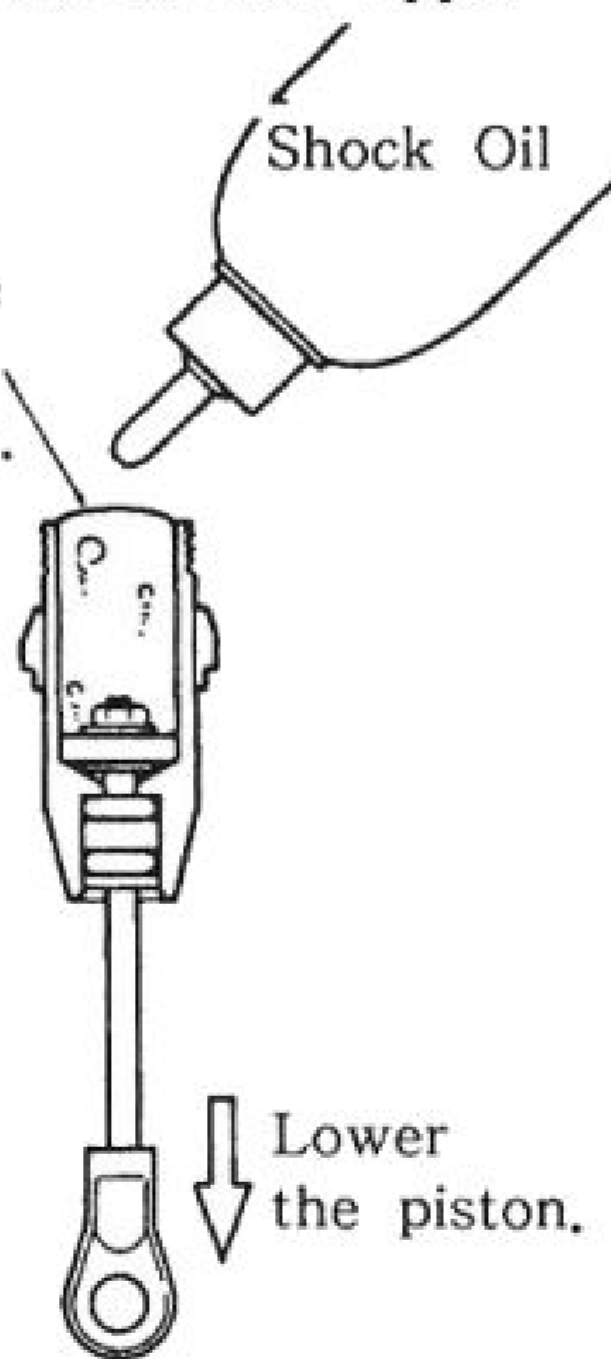
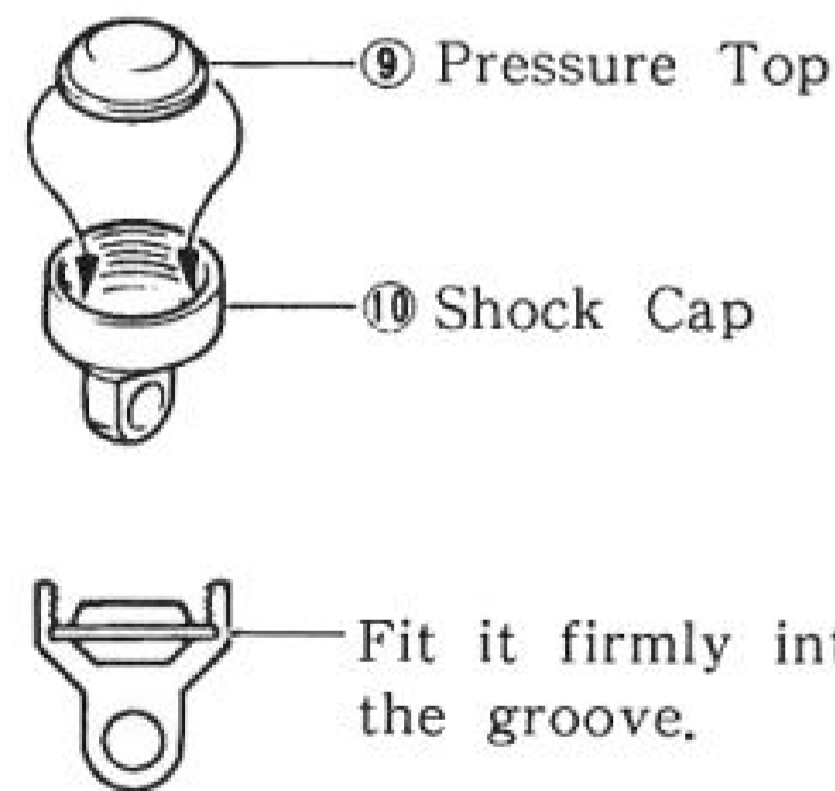
# 2 FILLING THE SHOCKS WITH OIL

1. Lower the piston to the bottom and pour the oil little by little. Move the piston up and down slowly in order to drive the air bubbles towards the upper position.
2. Keep the piston in the lowest position, and tighten the shock cap (10) letting excessive oil spill over.
3. Move the piston up and down to confirm that it operates smoothly.

<Fitting Pressure Top>

Insert the pressure top (9) into the shock cap (10).

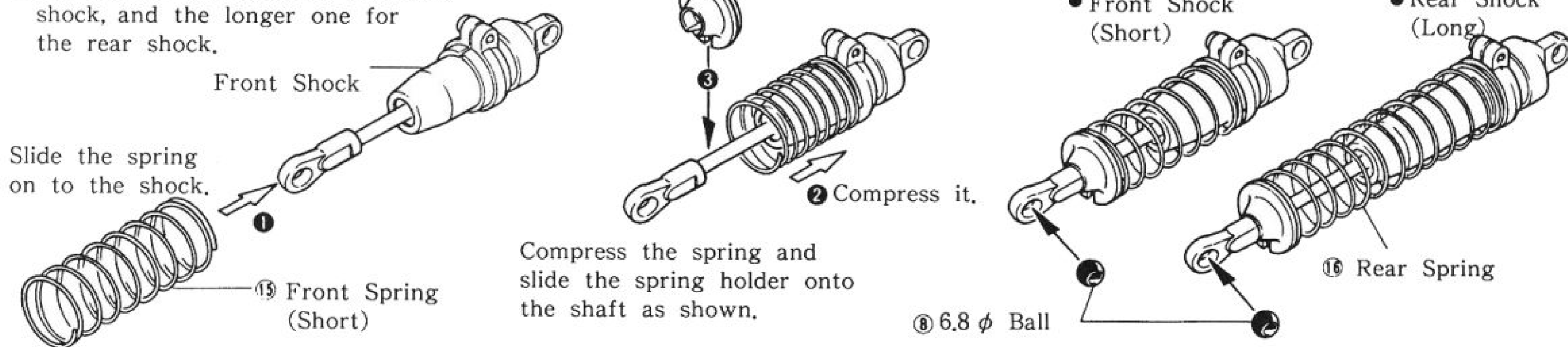
Fill it with the oil to slightly above the brim.



The piston should move up and down smoothly.

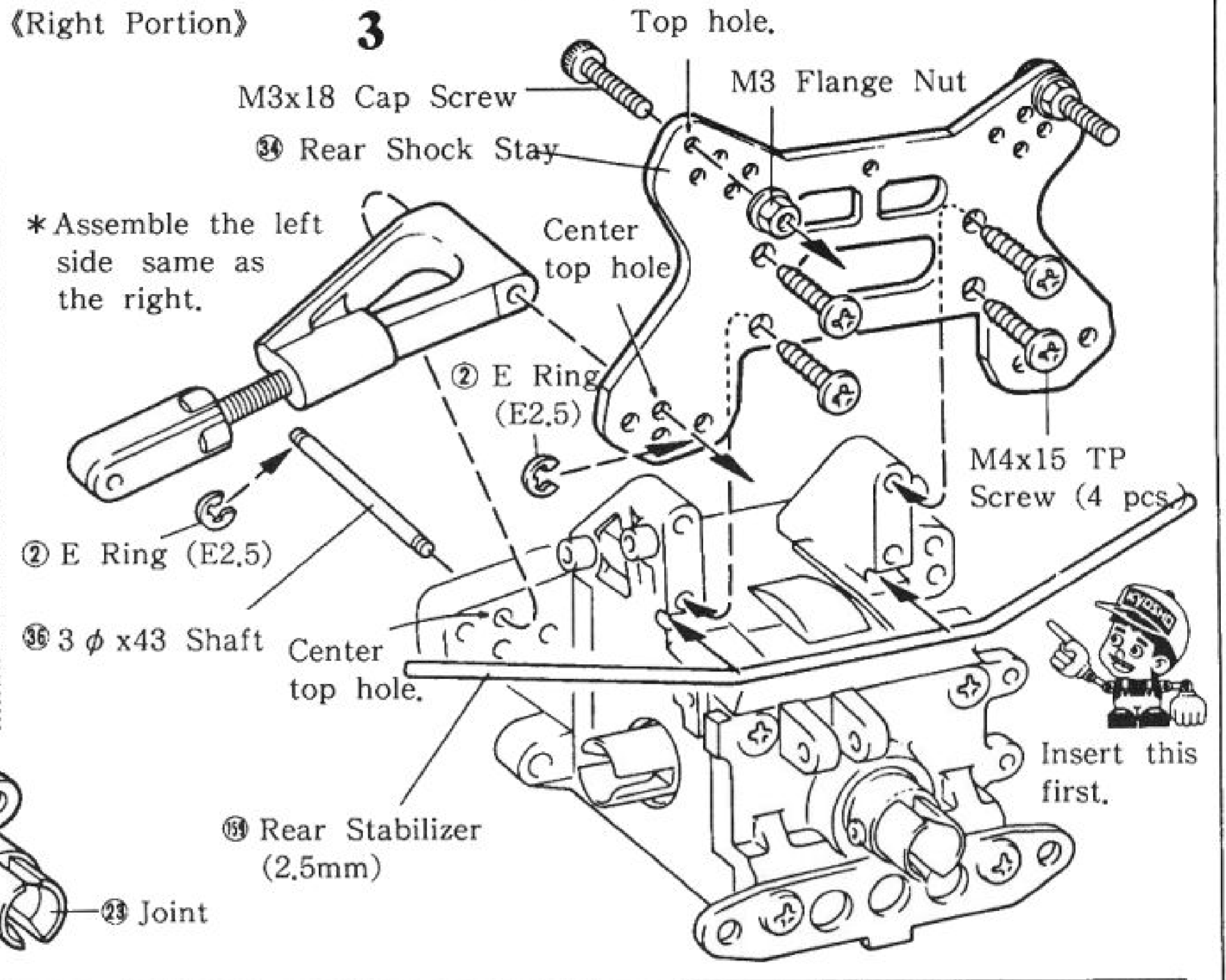
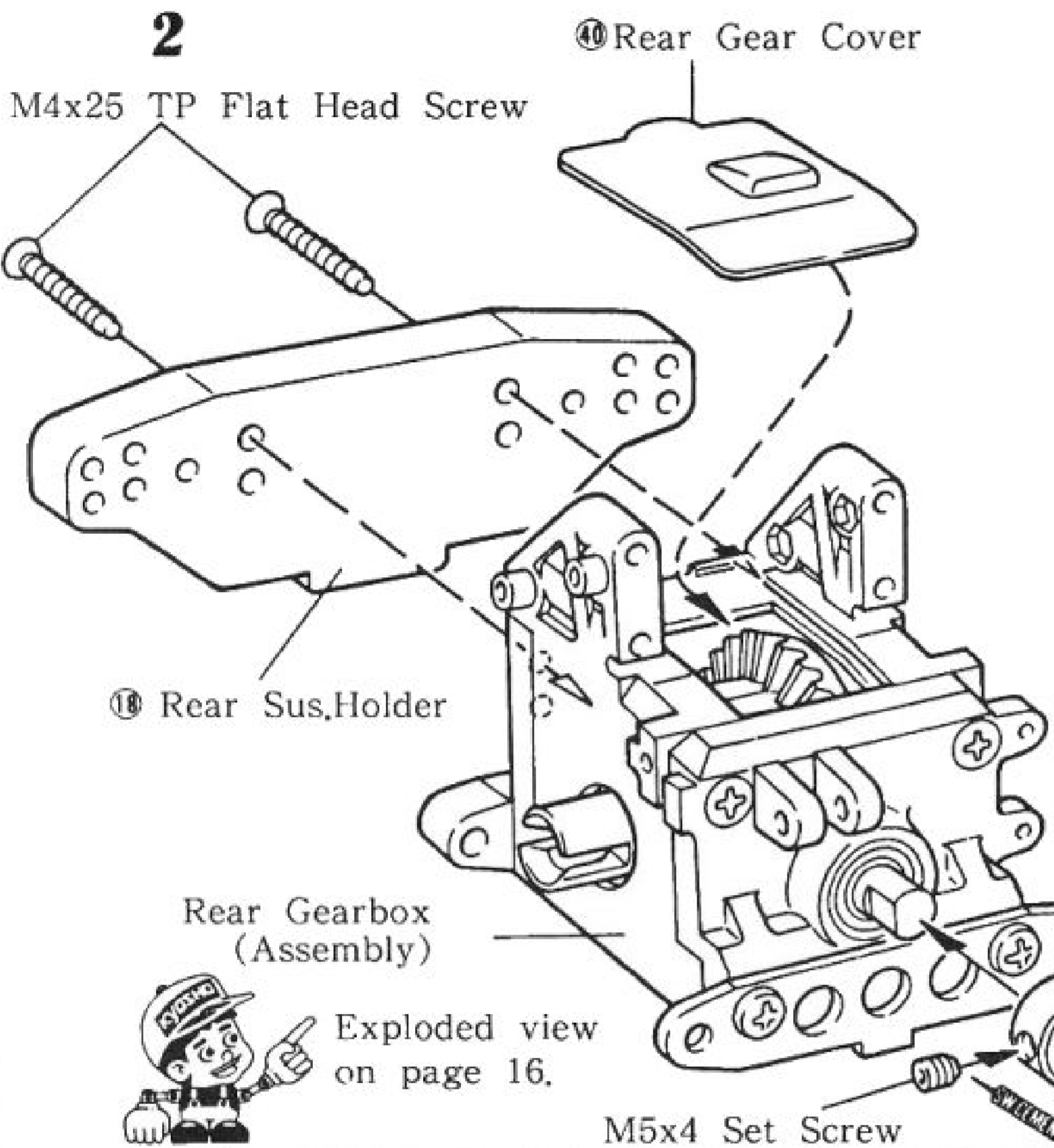
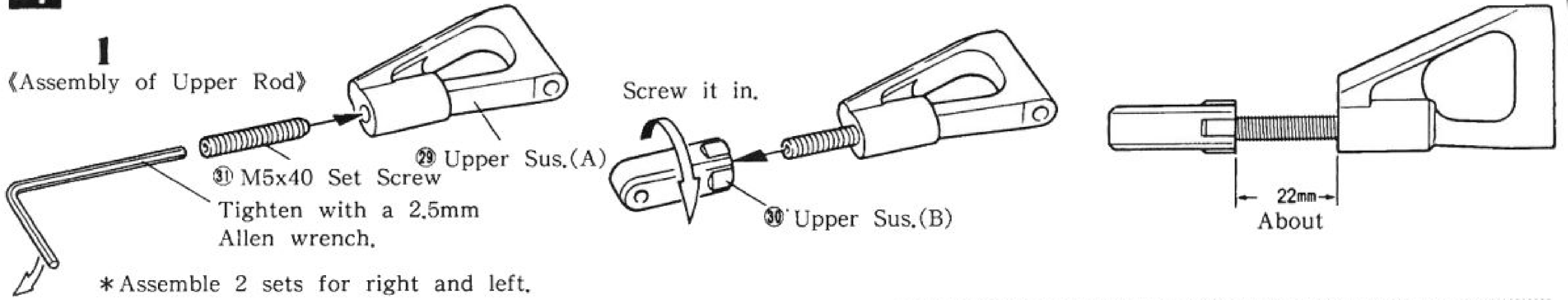
# 3 INSTALLATION OF SHOCK SPRINGS

\*The shorter spring is for the front shock, and the longer one for the rear shock.

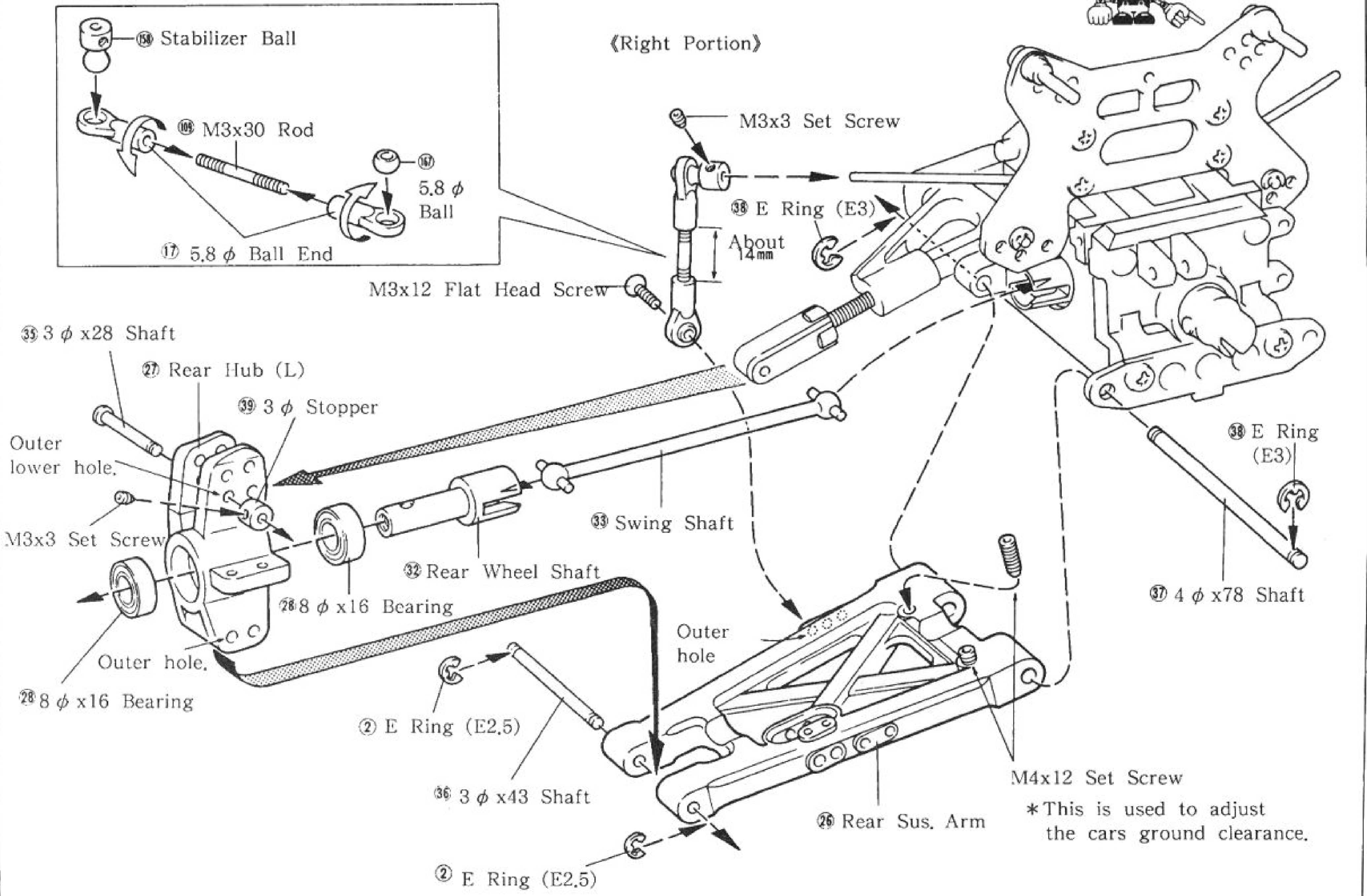


# 4 ASSEMBLY OF REAR GEARBOX PARTS

## 1 (Assembly of Upper Rod)

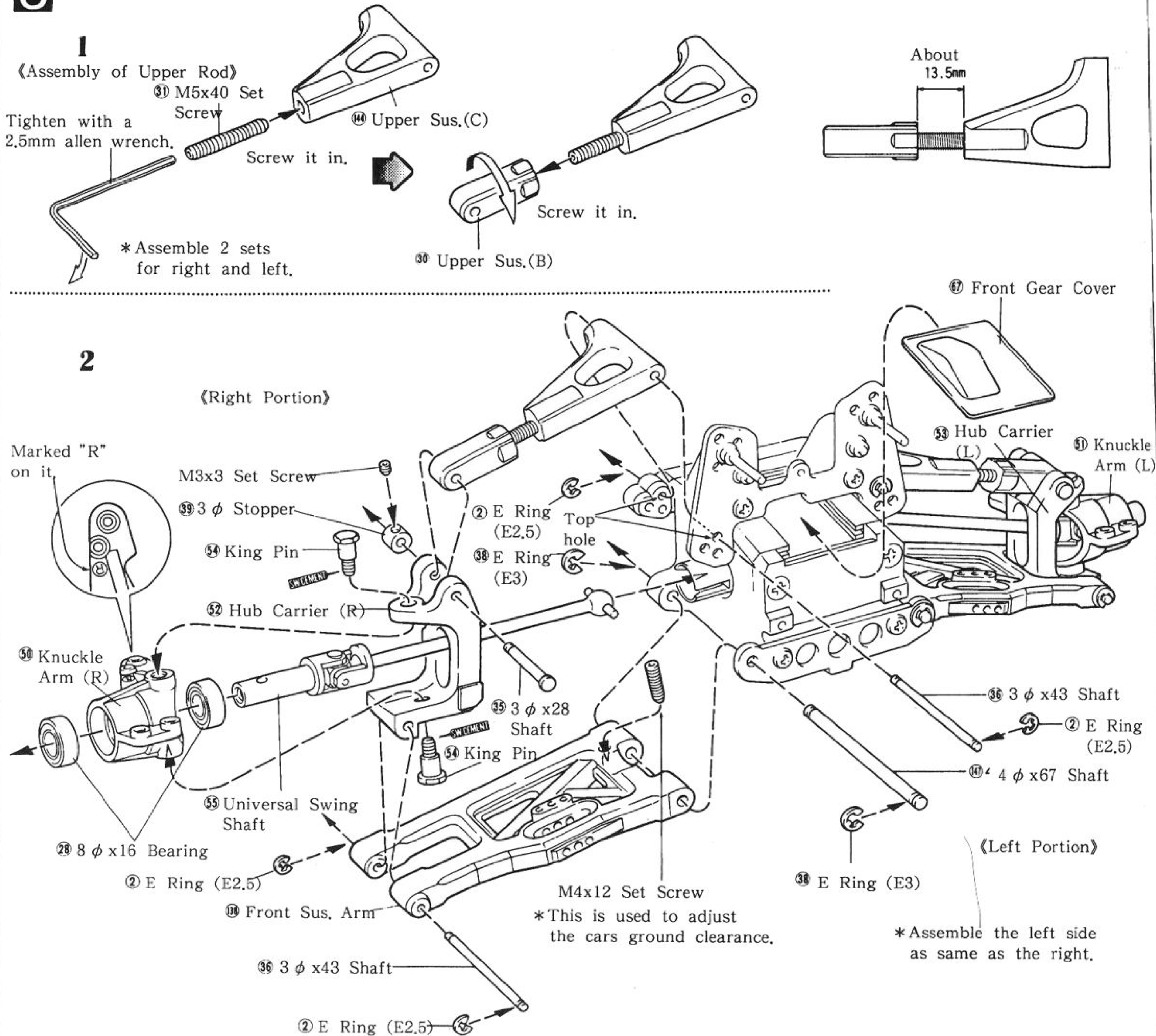


# 5 INSTALLATION OF REAR SUSPENSION ARMS

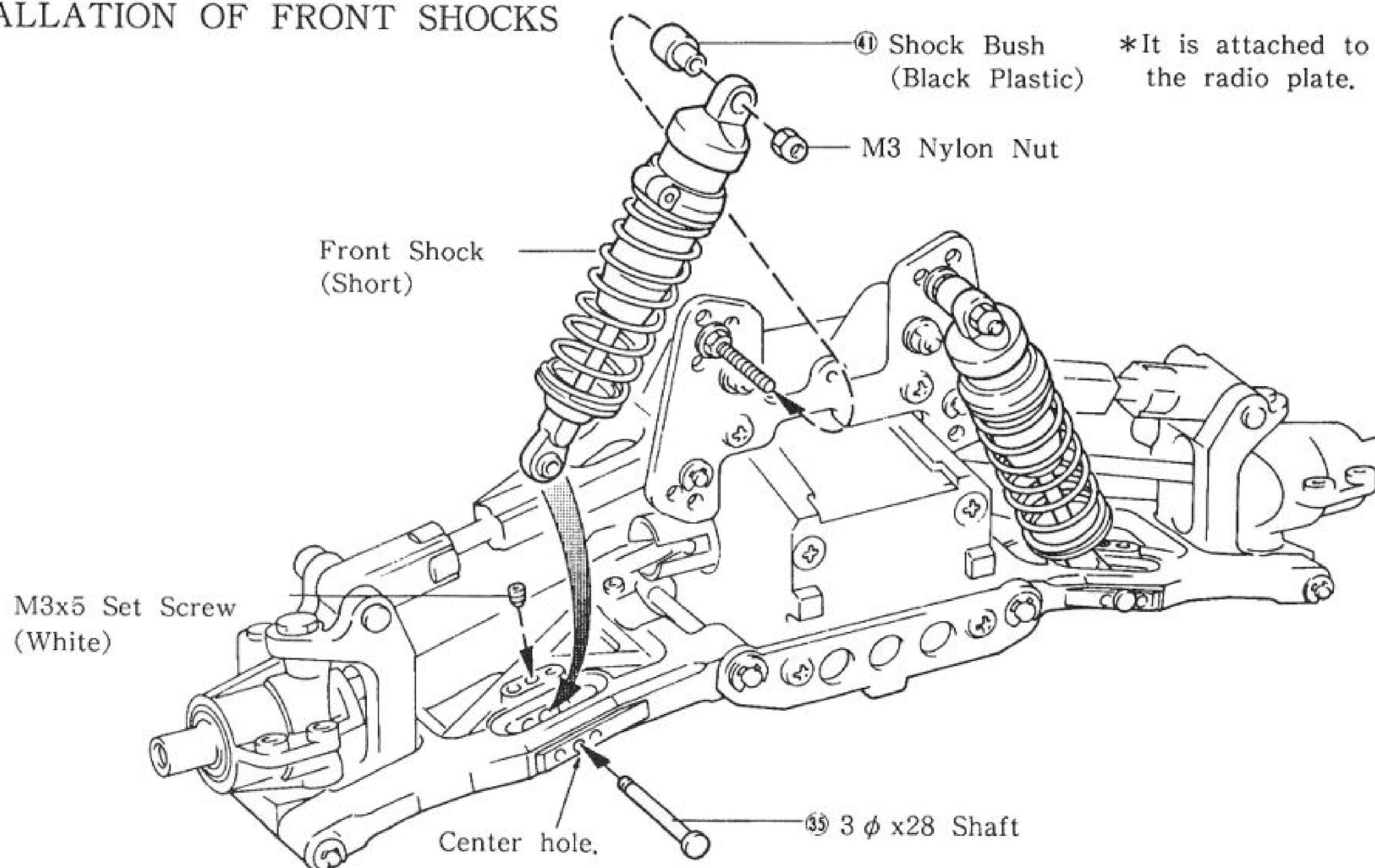




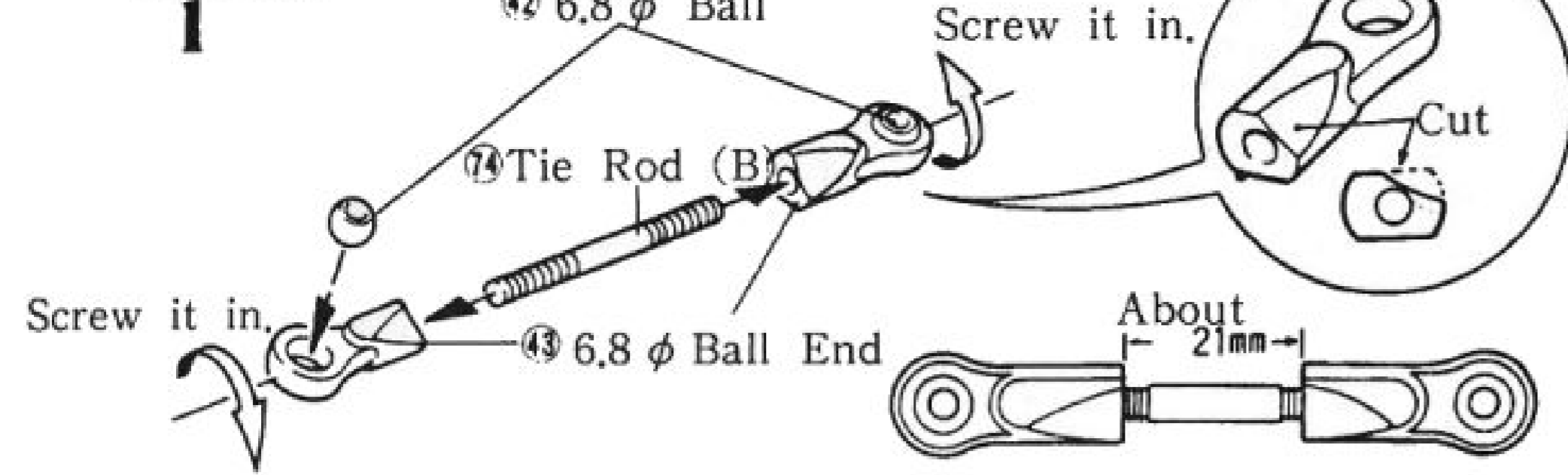
## 8 INSTALLATION OF FRONT SUSPENSION ARM



## 9 INSTALLATION OF FRONT SHOCKS



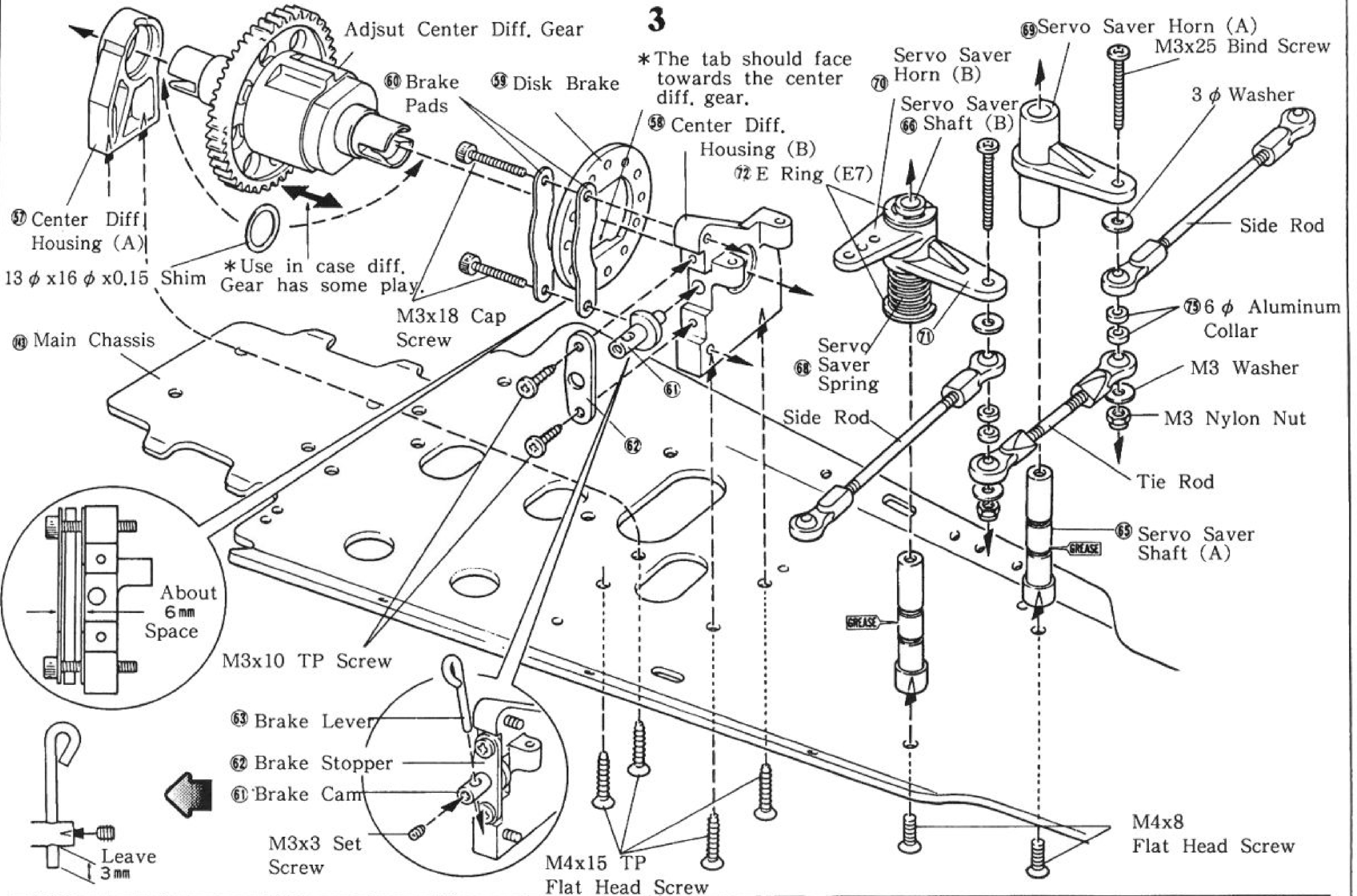
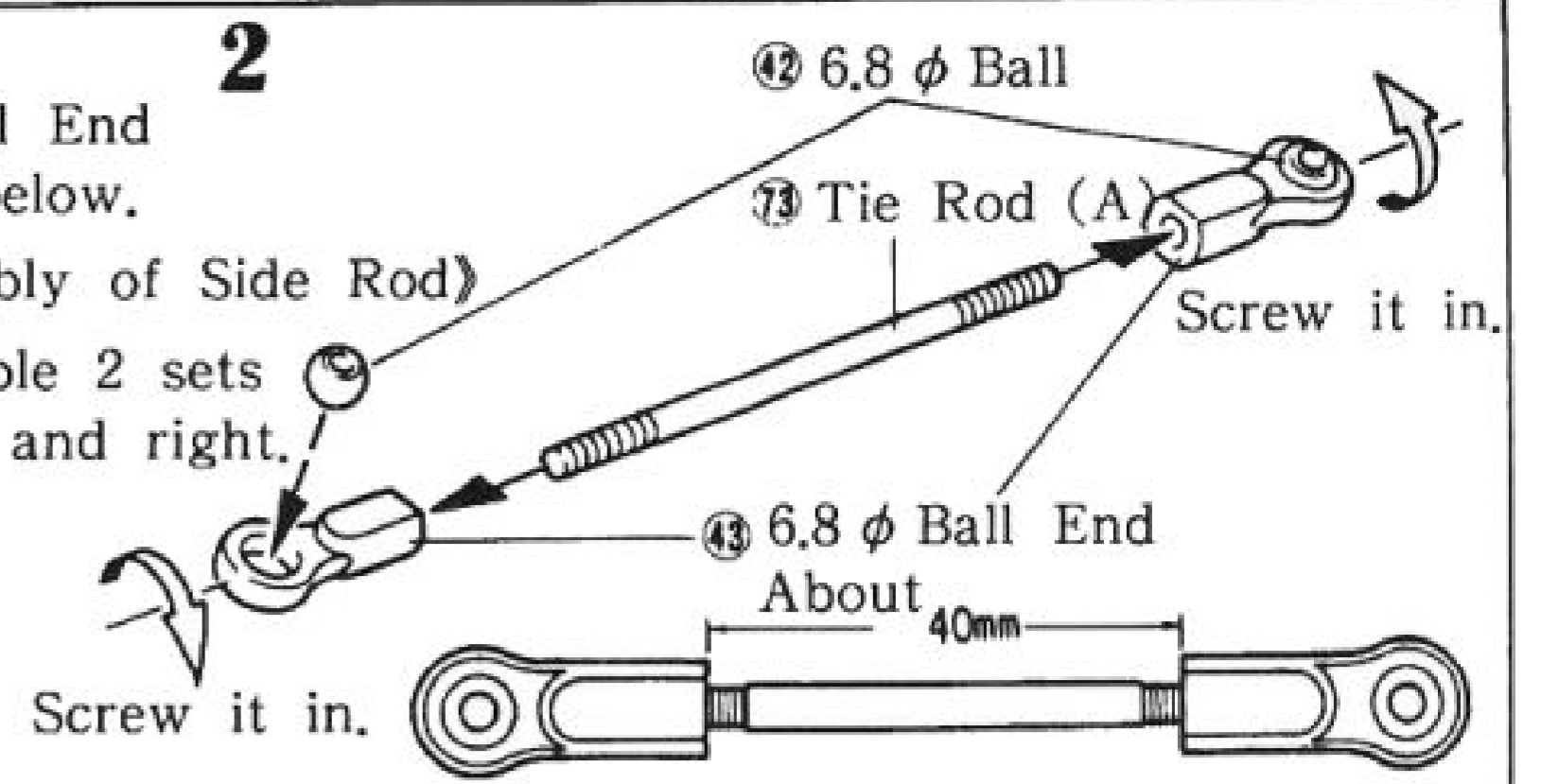
# 10 INSTALLATION OF BRAKE AND SERVO SAVER



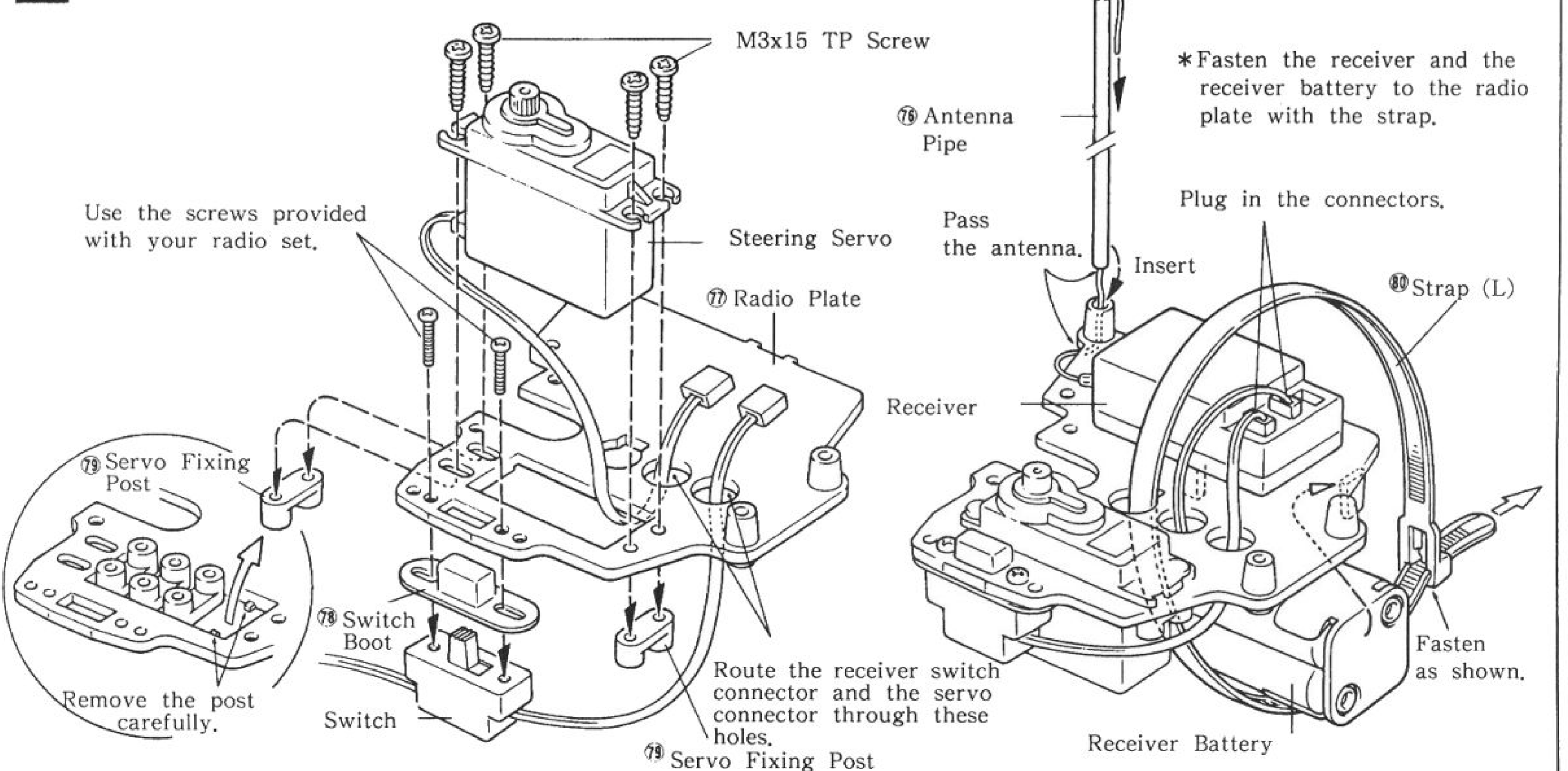
\*Cut the Ball End as shown below.

《Assembly of Side Rod》

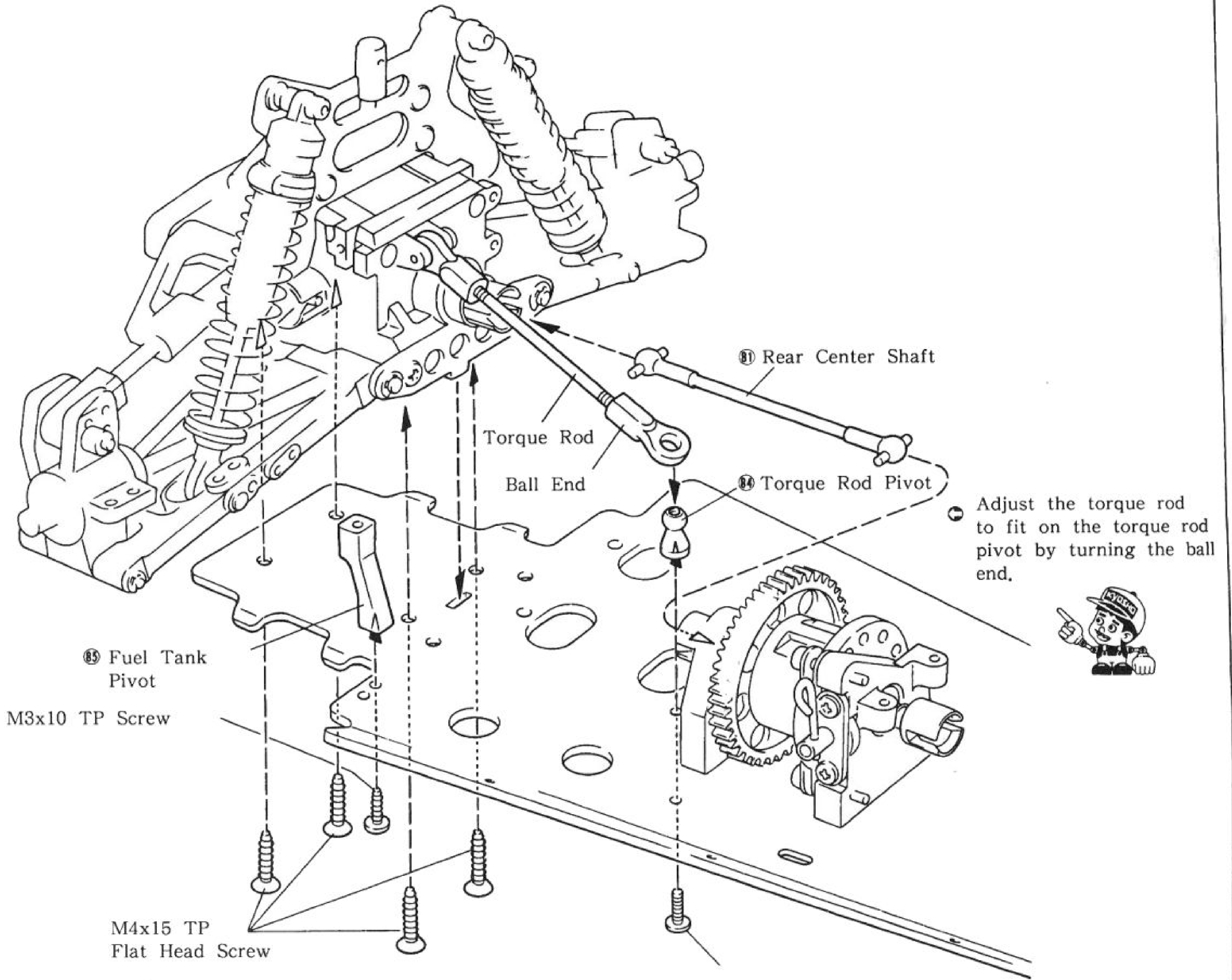
\*Assemble 2 sets for left and right.



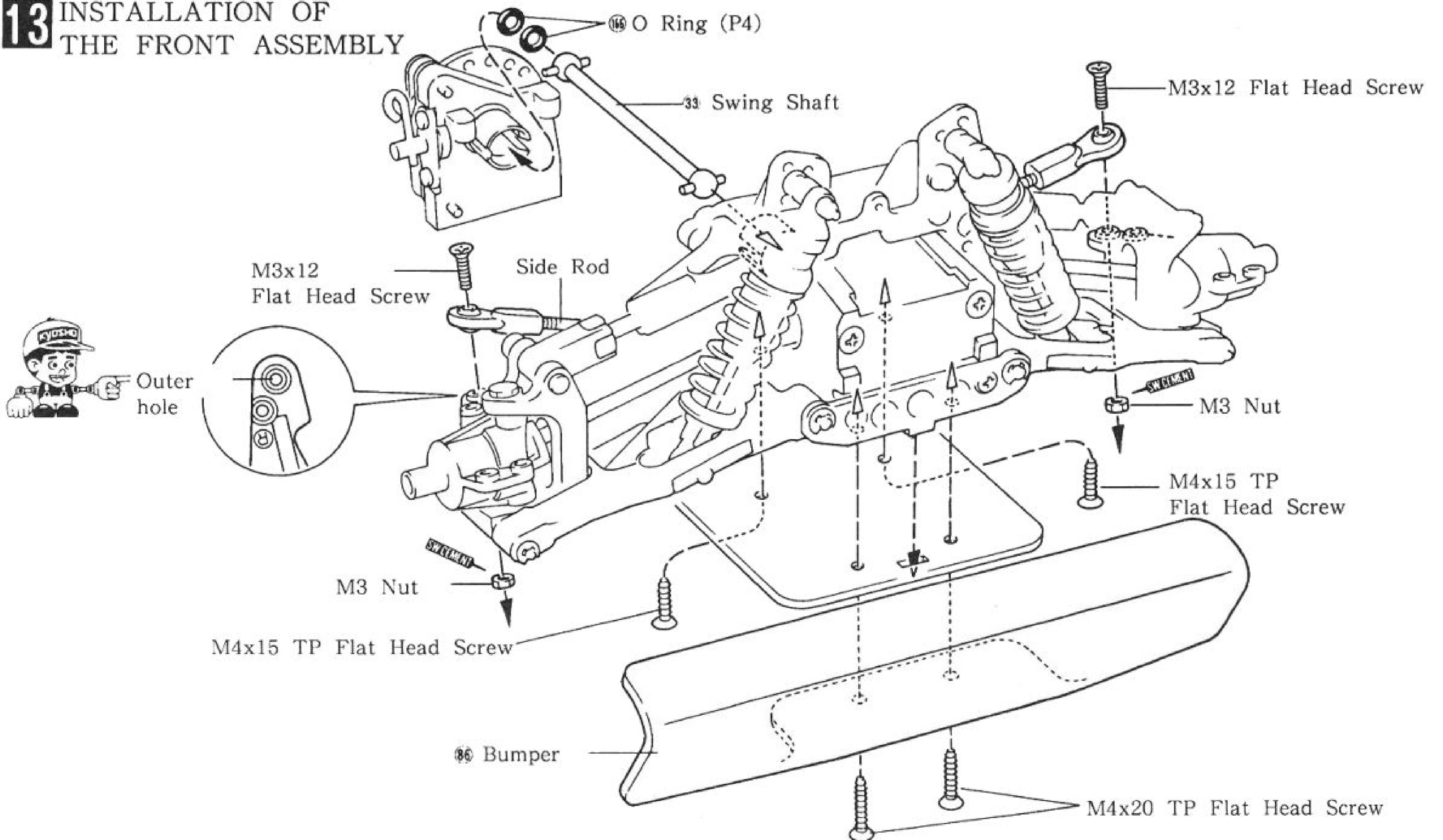
# 11 INSTALLATION OF RADIO SYSTEM



# 12 INSTALLATION OF THE REAR ASSEMBLY

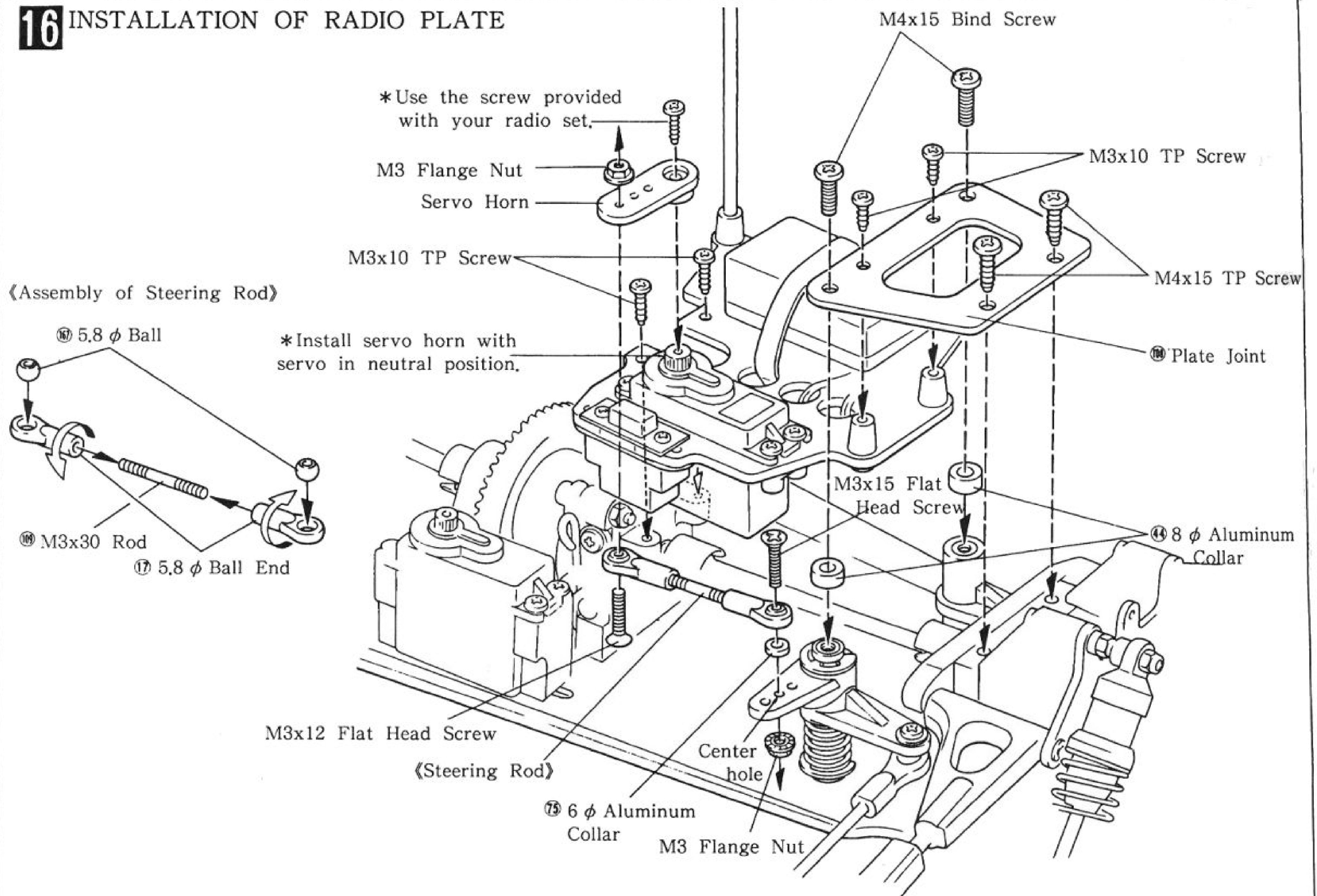


# 13 INSTALLATION OF THE FRONT ASSEMBLY

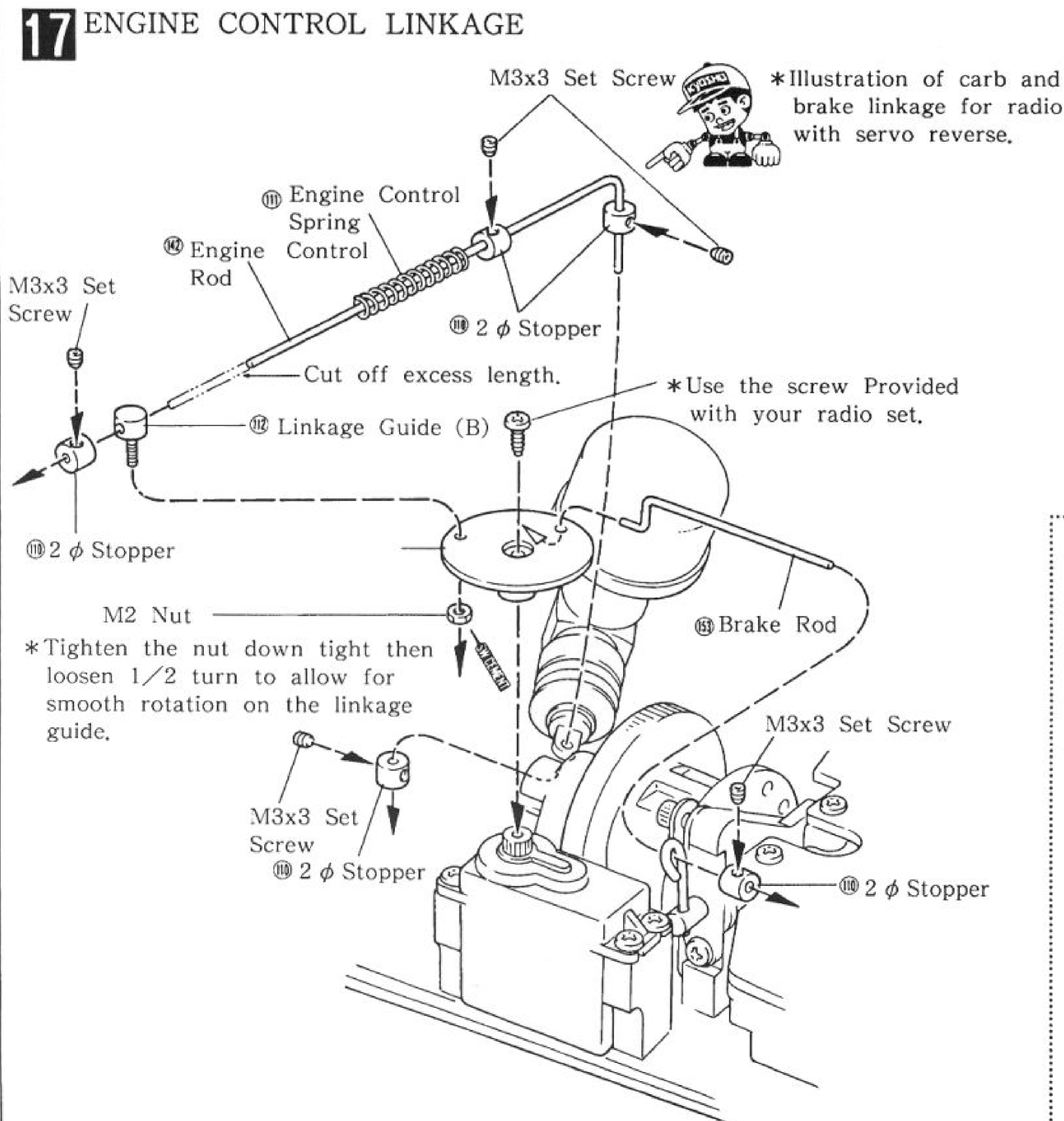




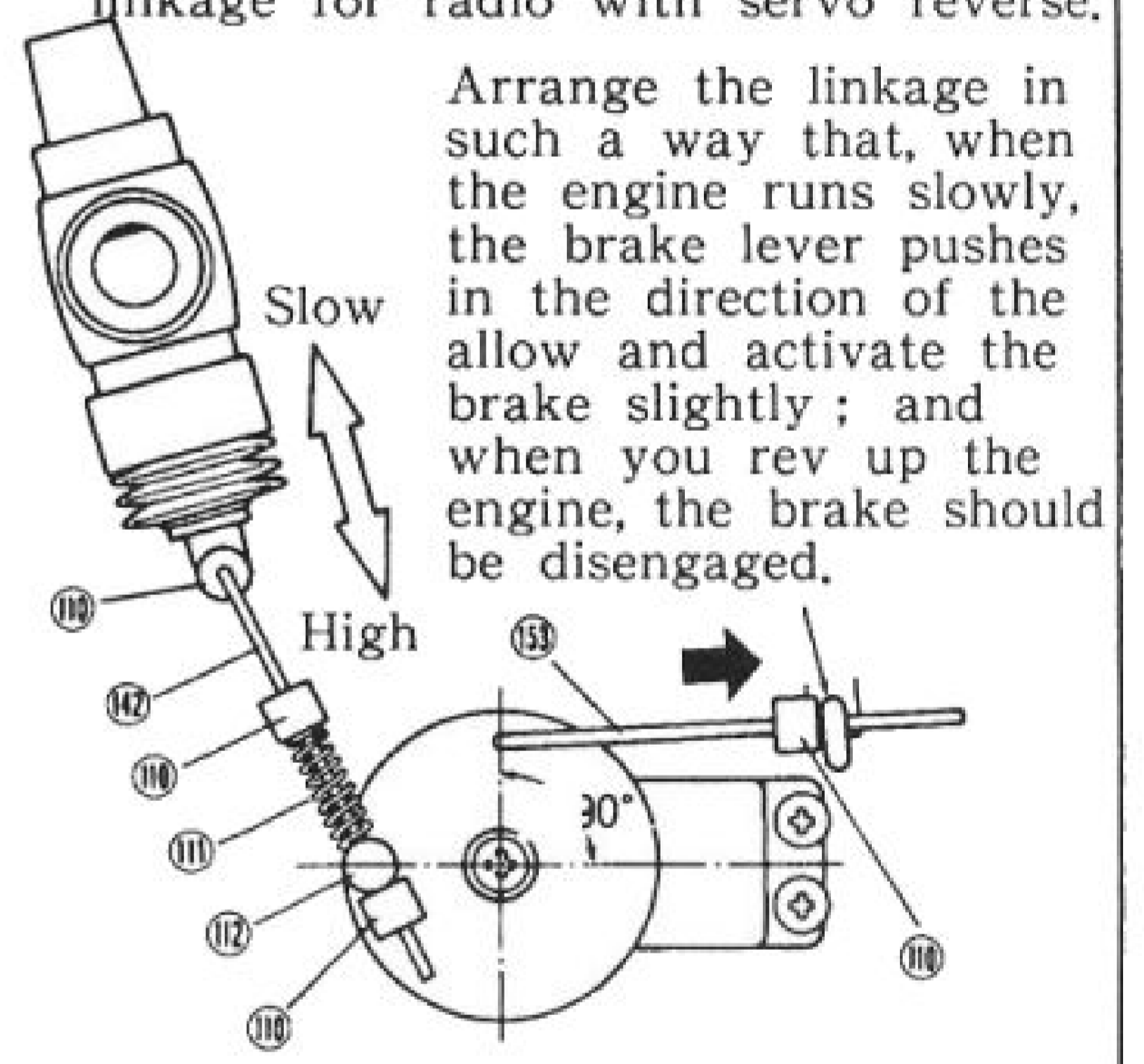
# 16 INSTALLATION OF RADIO PLATE



# 17 ENGINE CONTROL LINKAGE

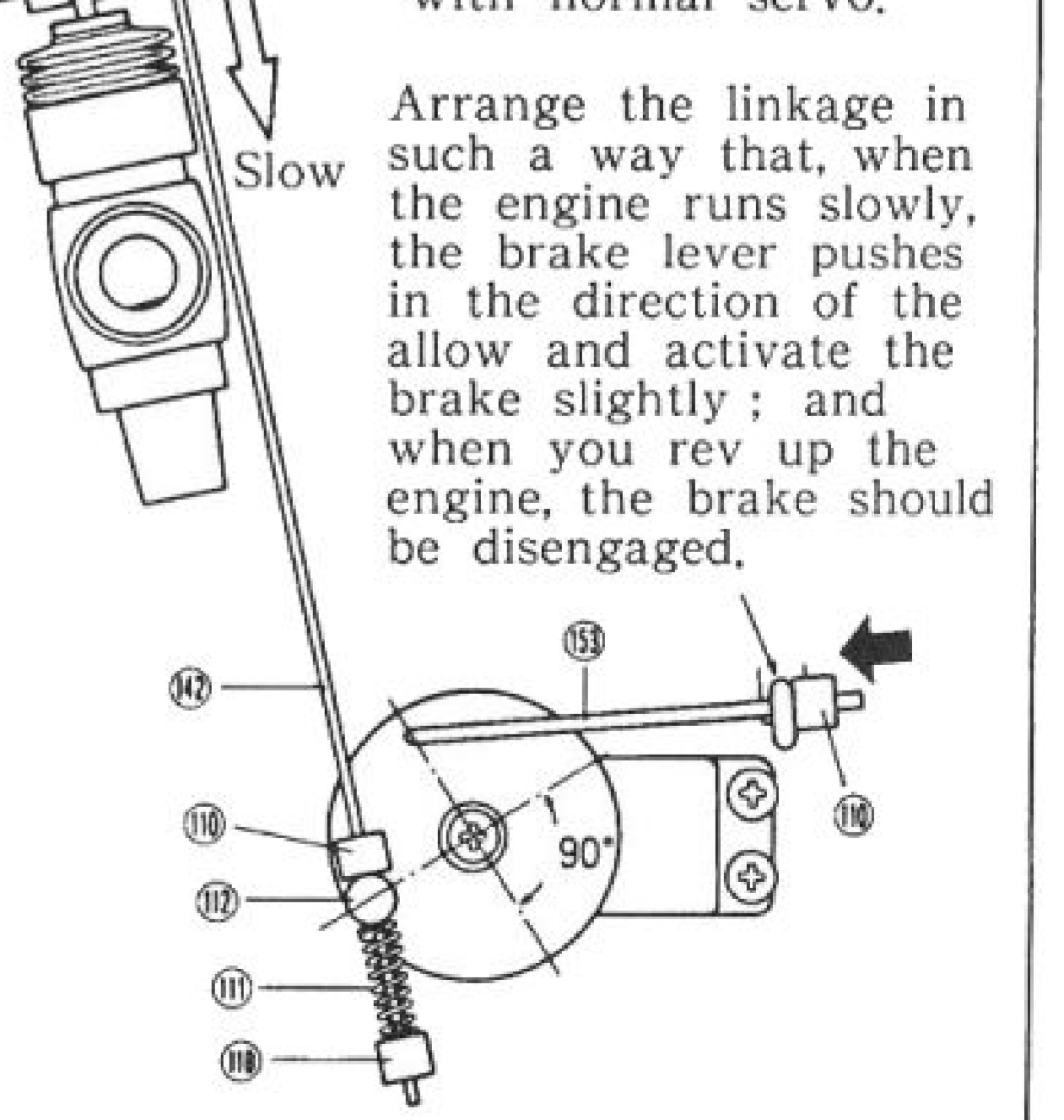


\*Illustration of carb and brake linkage for radio with servo reverse.



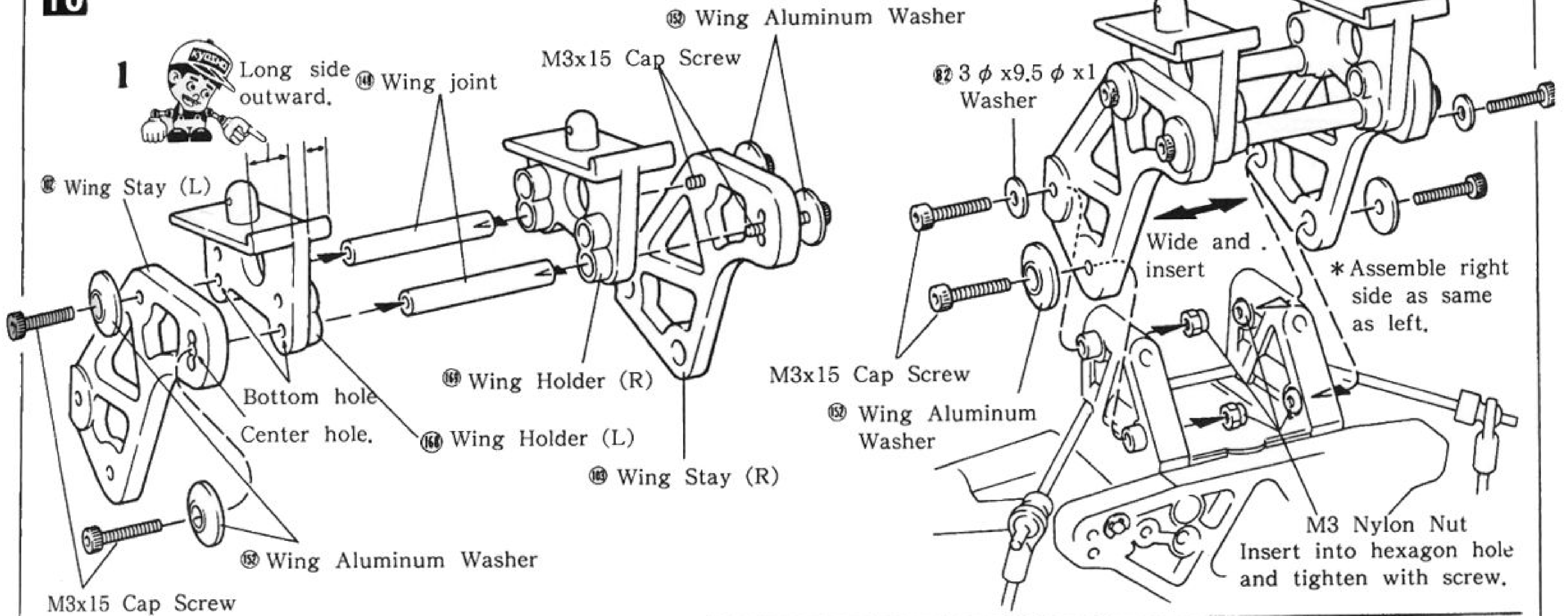
Arrange the linkage in such a way that, when the engine runs slowly, the brake lever pushes in the direction of the allow and activate the brake slightly; and when you rev up the engine, the brake should be disengaged.

\*Illustration of carb and brake linkage for radio with normal servo.

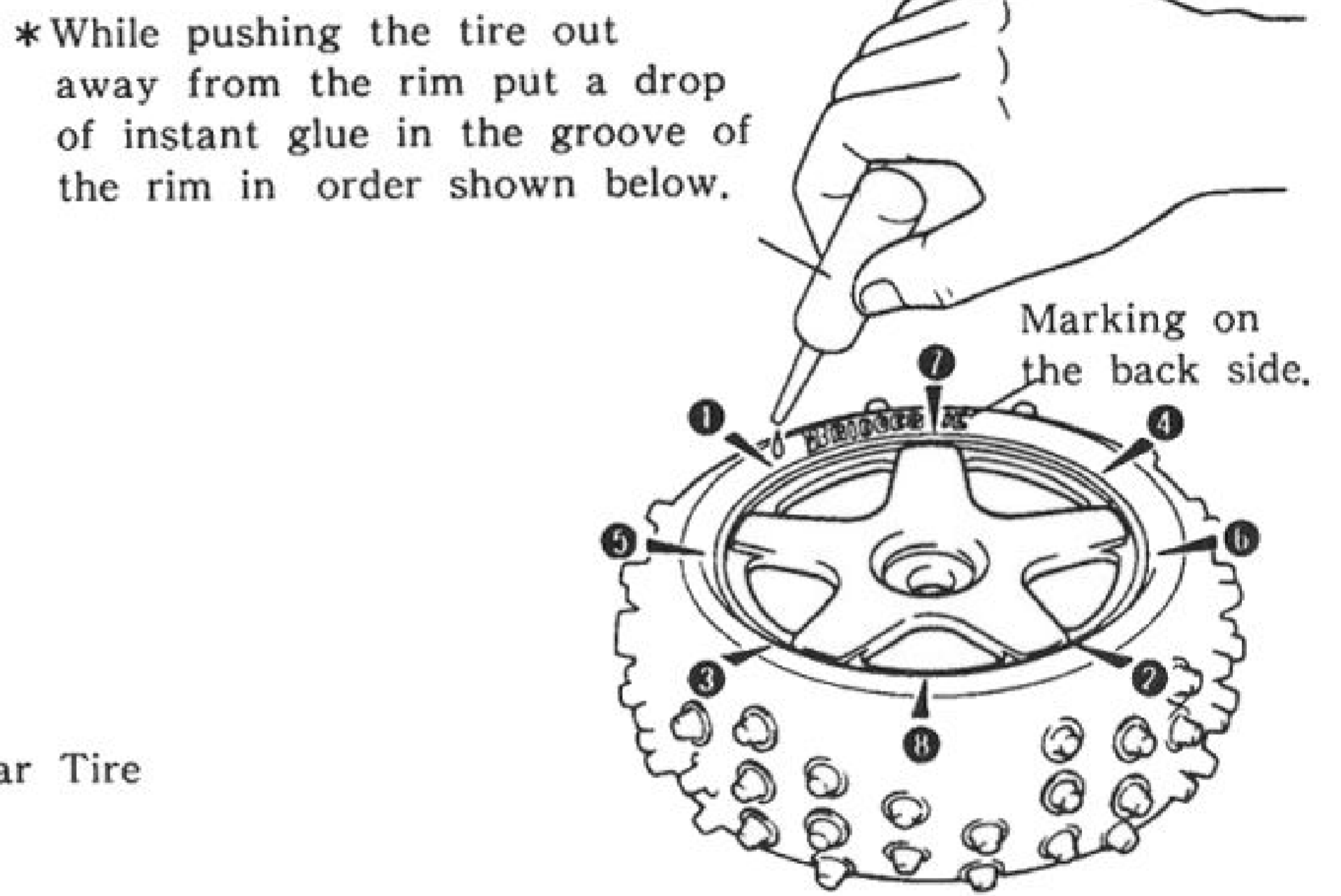
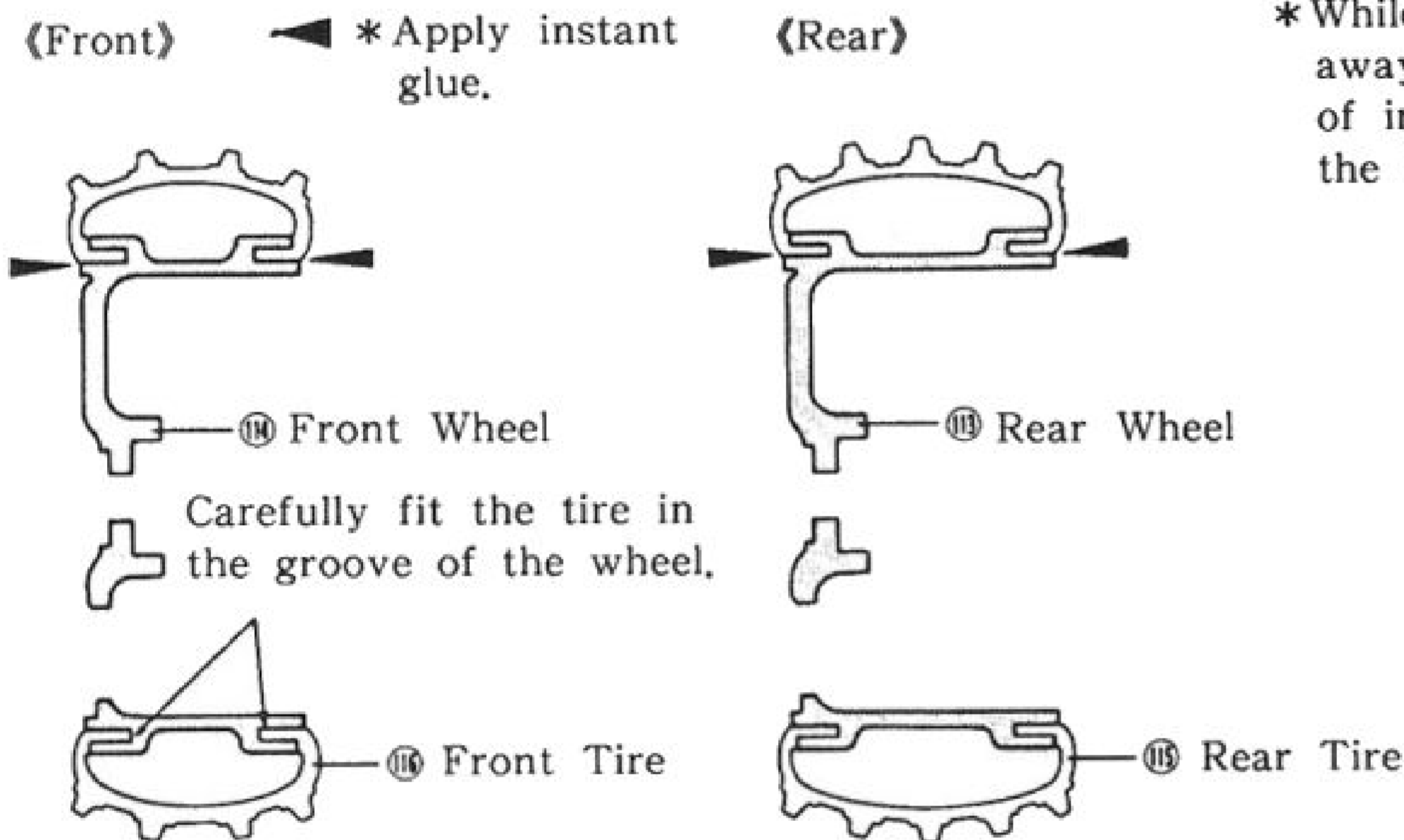


Arrange the linkage in such a way that, when the engine runs slowly, the brake lever pushes in the direction of the allow and activate the brake slightly; and when you rev up the engine, the brake should be disengaged.

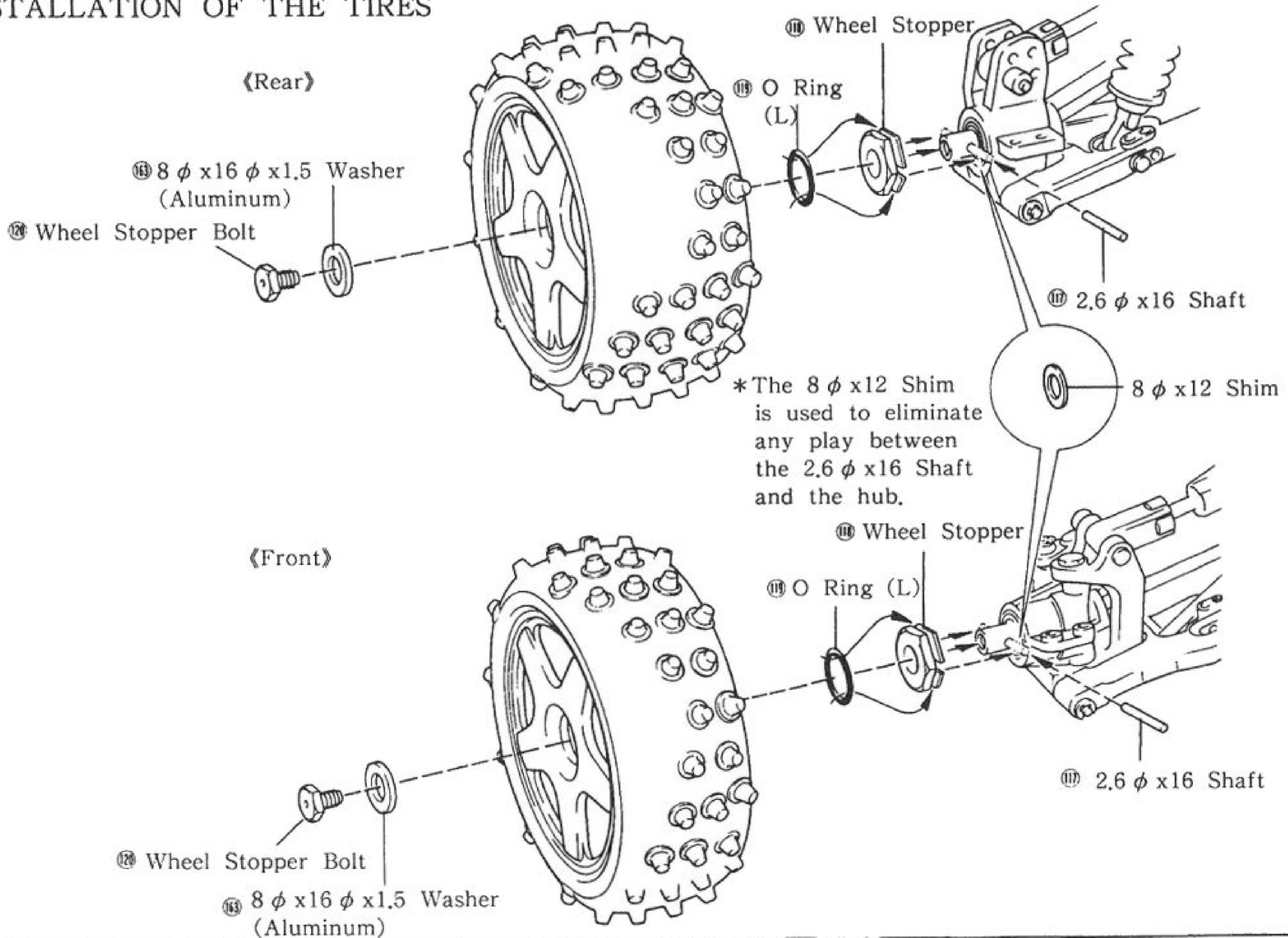
# 18 ASSEMBLY OF WING STAY



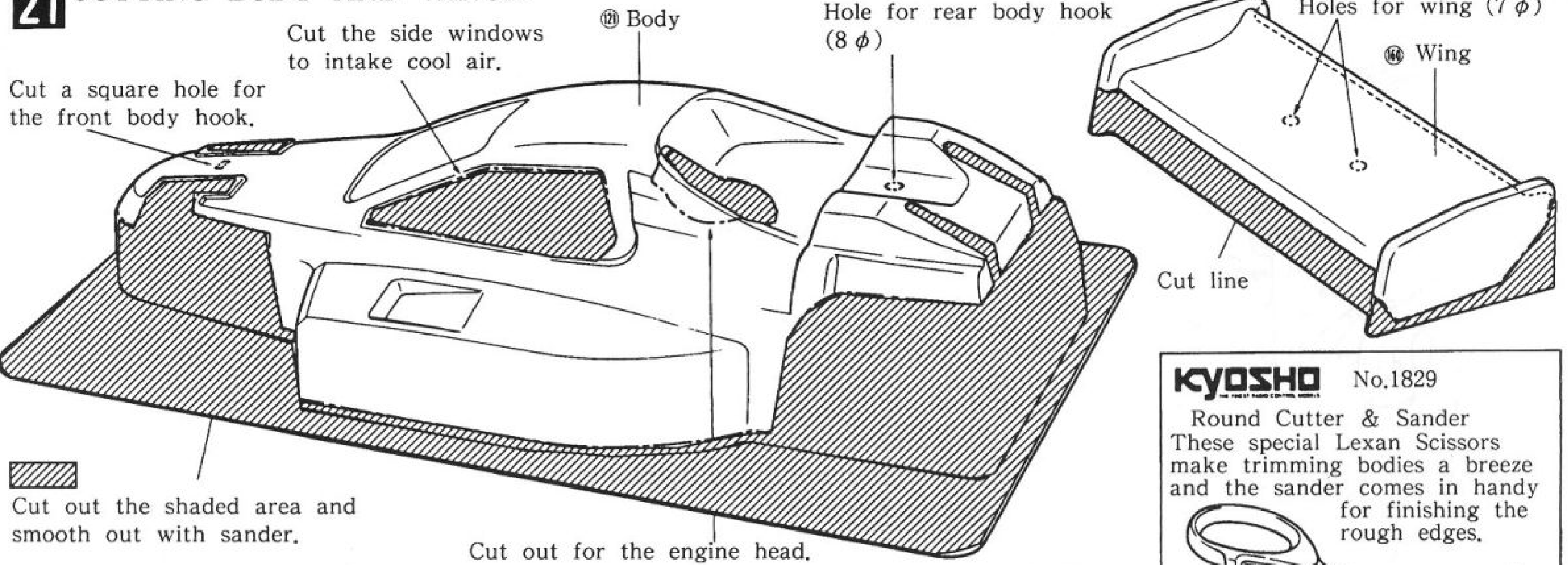
# 19 ASSEMBLY OF TIRES AND WHEELS



# 20 INSTALLATION OF THE TIRES

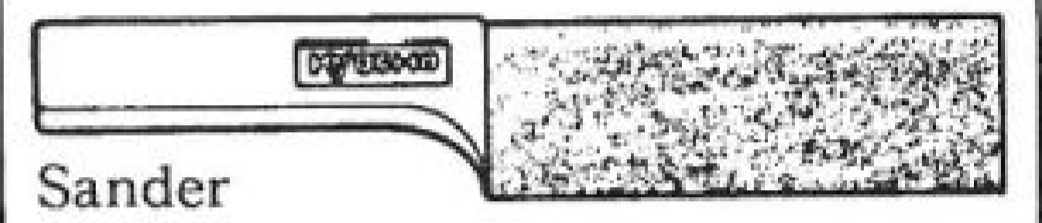
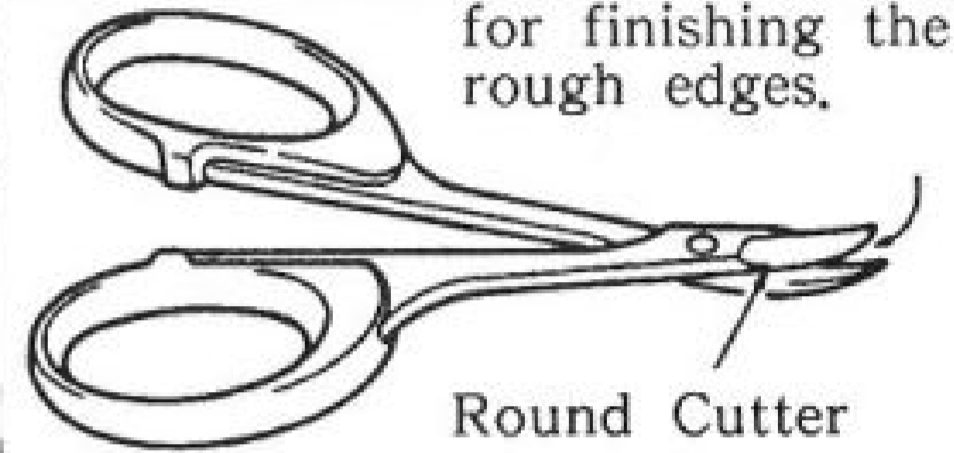


## 21 CUTTING BODY AND WING



### KYOSHO No.1829

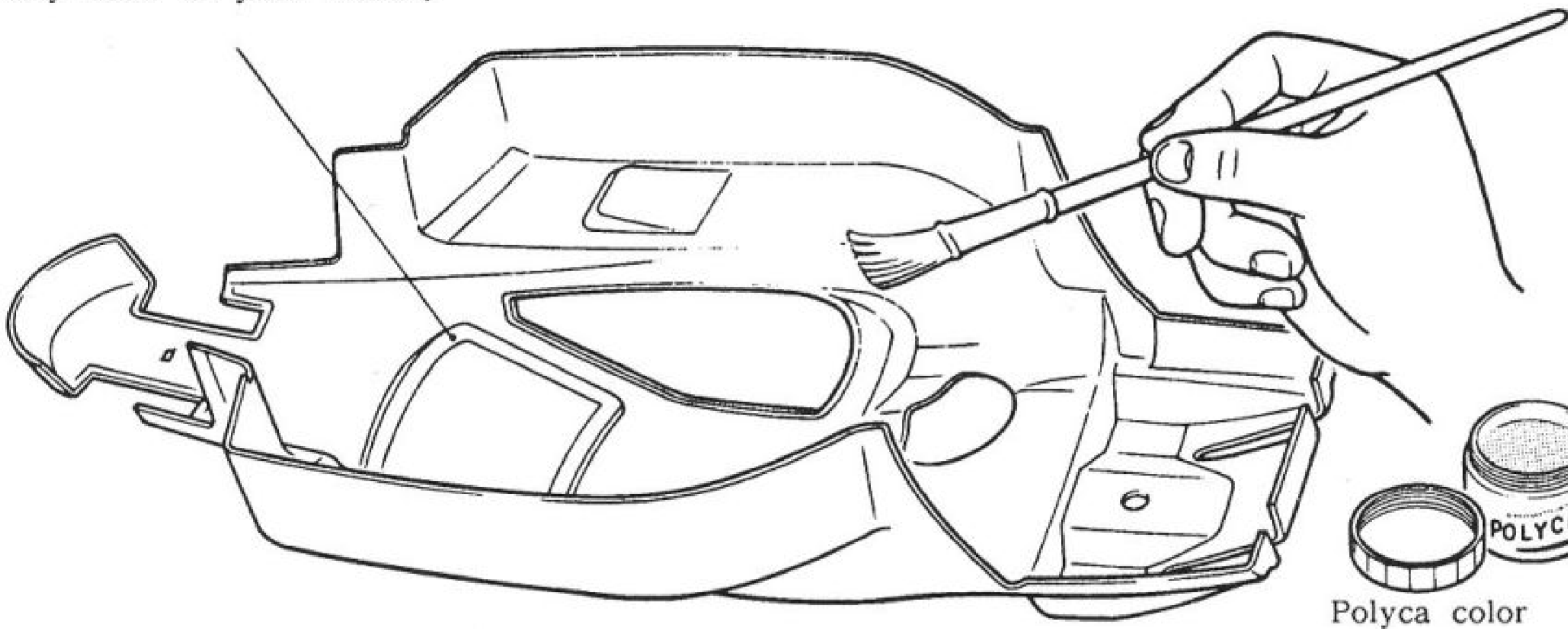
Round Cutter & Sander  
These special Lexan Scissors make trimming bodies a breeze and the sander comes in handy for finishing the rough edges.



## 22 PAINTING BODY AND WING

First wash the body to remove any oil or dirt. Rinse thoroughly. Paint the inside of body. You can obtain a color scheme by making a portion with tape then removing the tape and painting. Apply the lightest color last.

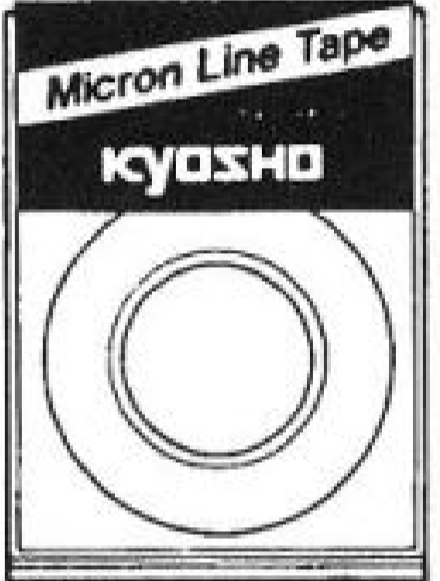
Mask the windows with the Micron Line Tape and paint the body in any color at your choice.



### KYOSHO

Micron Line Tape  
No.1841...1mm  
No.1842...1.5mm  
No.1843...2.5mm

Color : White, Red  
Yellow, Green  
Blue and Black



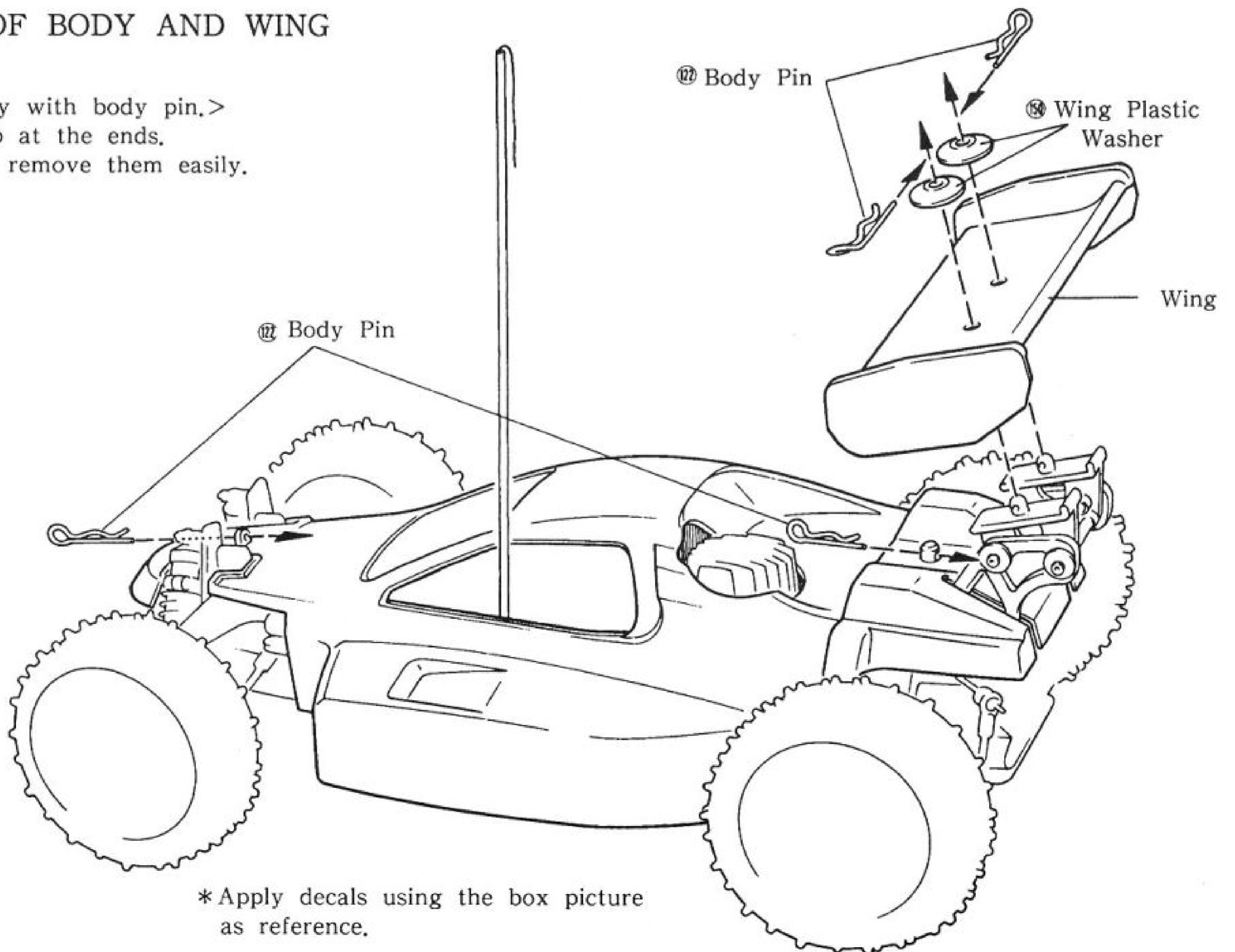
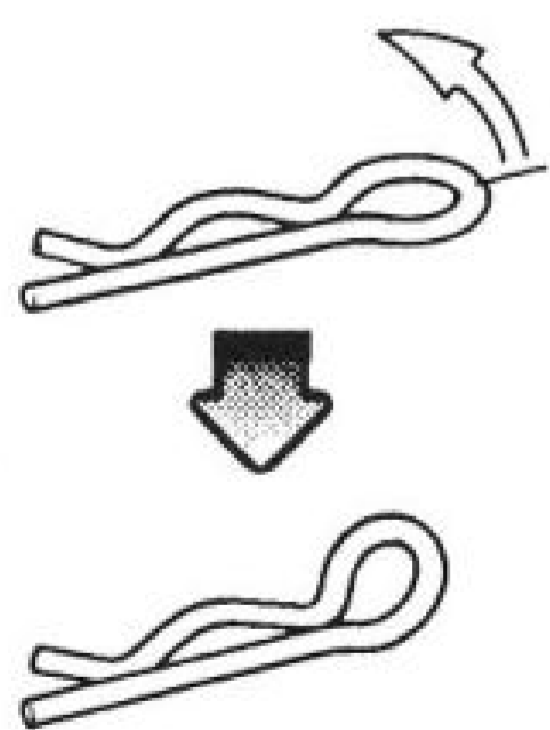
### KYOSHO No.2230

Polyca Color  
White, Red, Yellow,  
Blue, Green, Skyblue,  
Orange, Black, Violet,  
F.Pink, F.Orange and  
Yellow Green

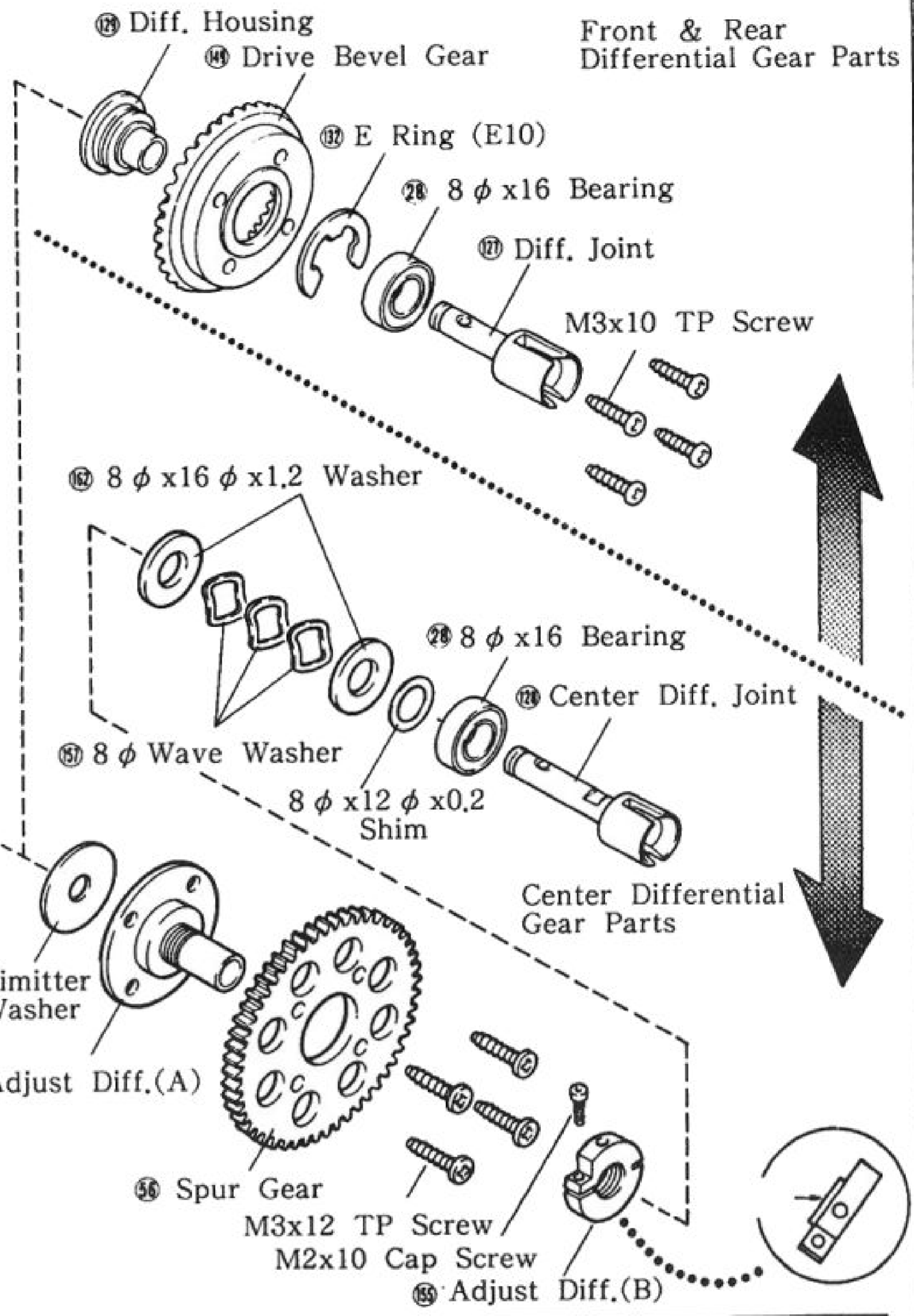
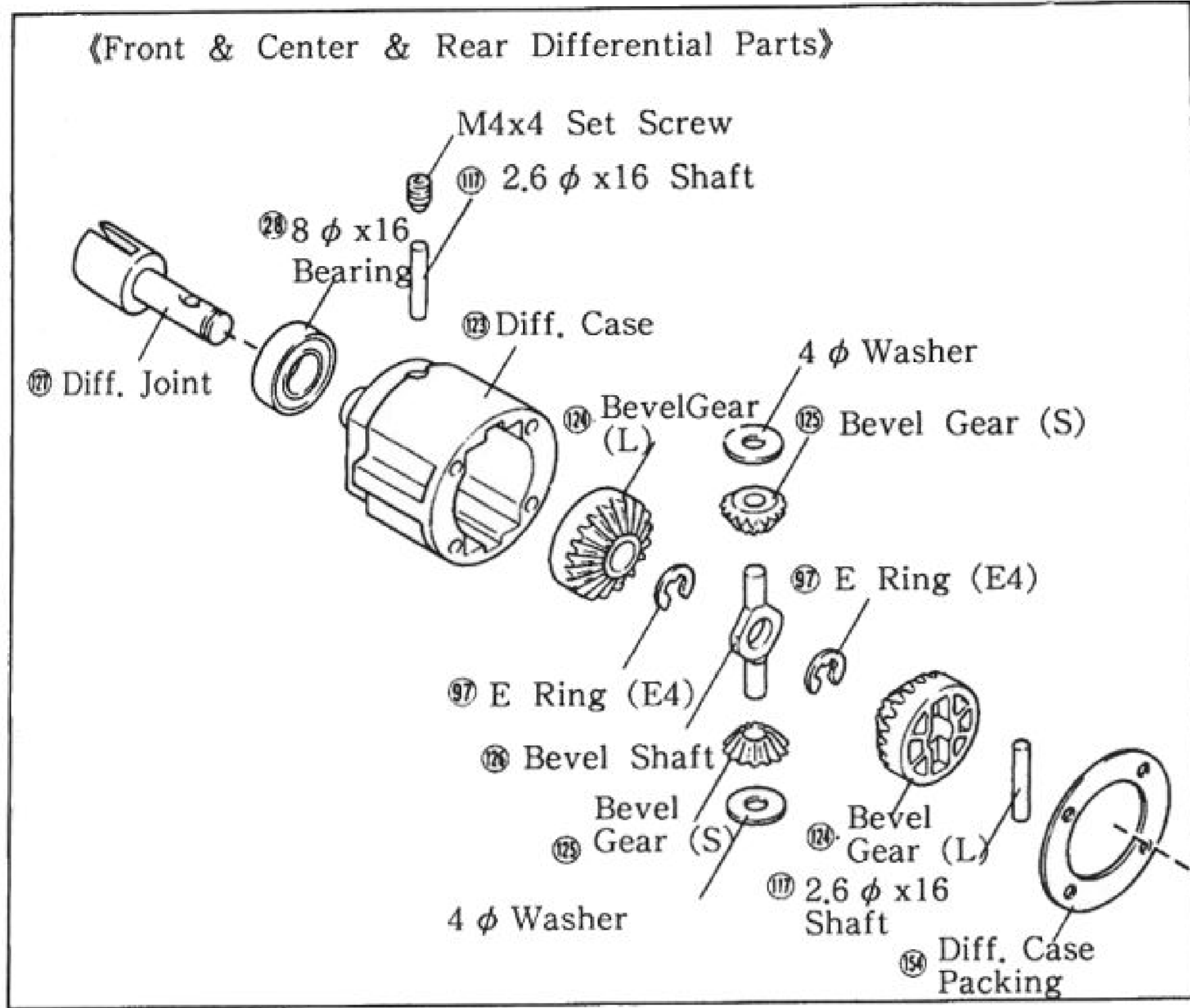


## 23 INSTALLATION OF BODY AND WING

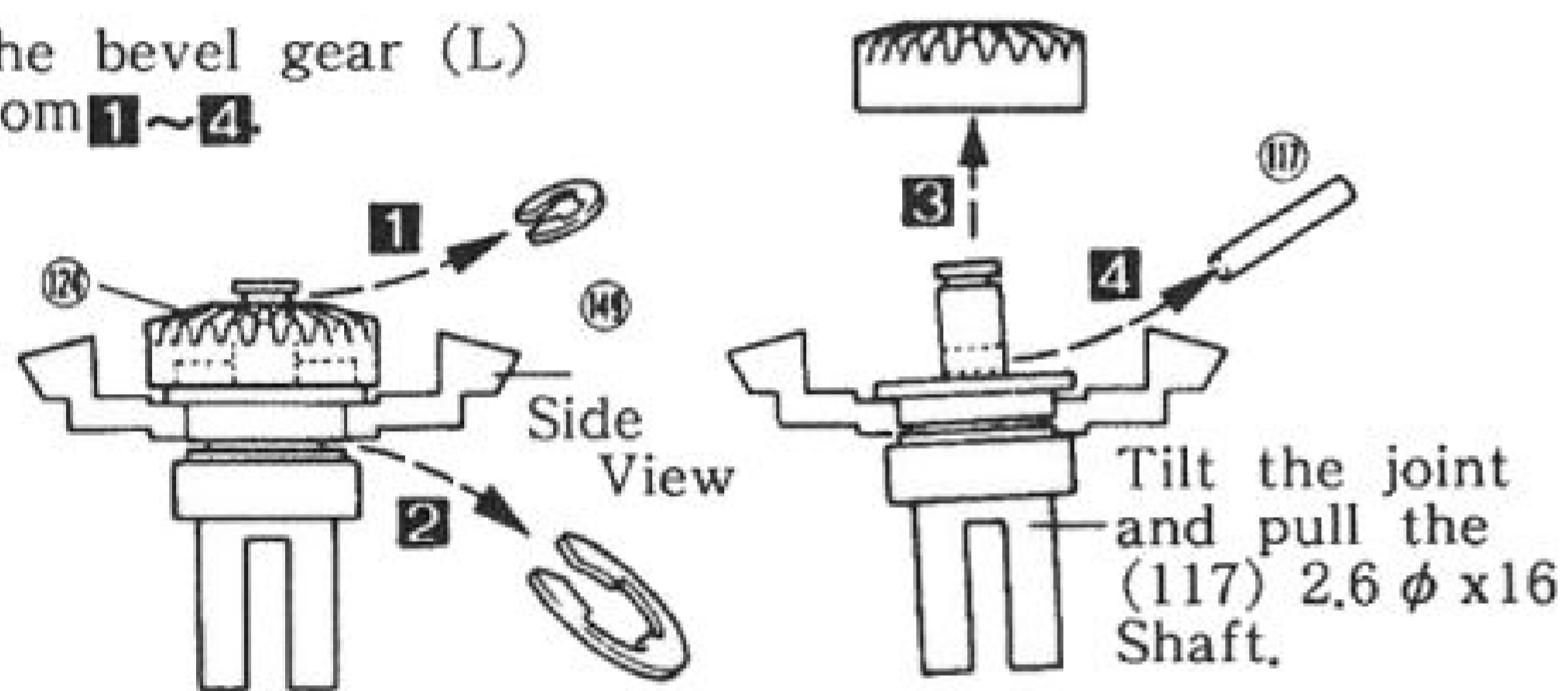
<Install the painted body with body pin.>  
\*Bend the body pins up at the ends, this will allow you to remove them easily.



# EXPLODED VIEW OF THE FRONT AND REAR DIFFERENTIAL GEARS

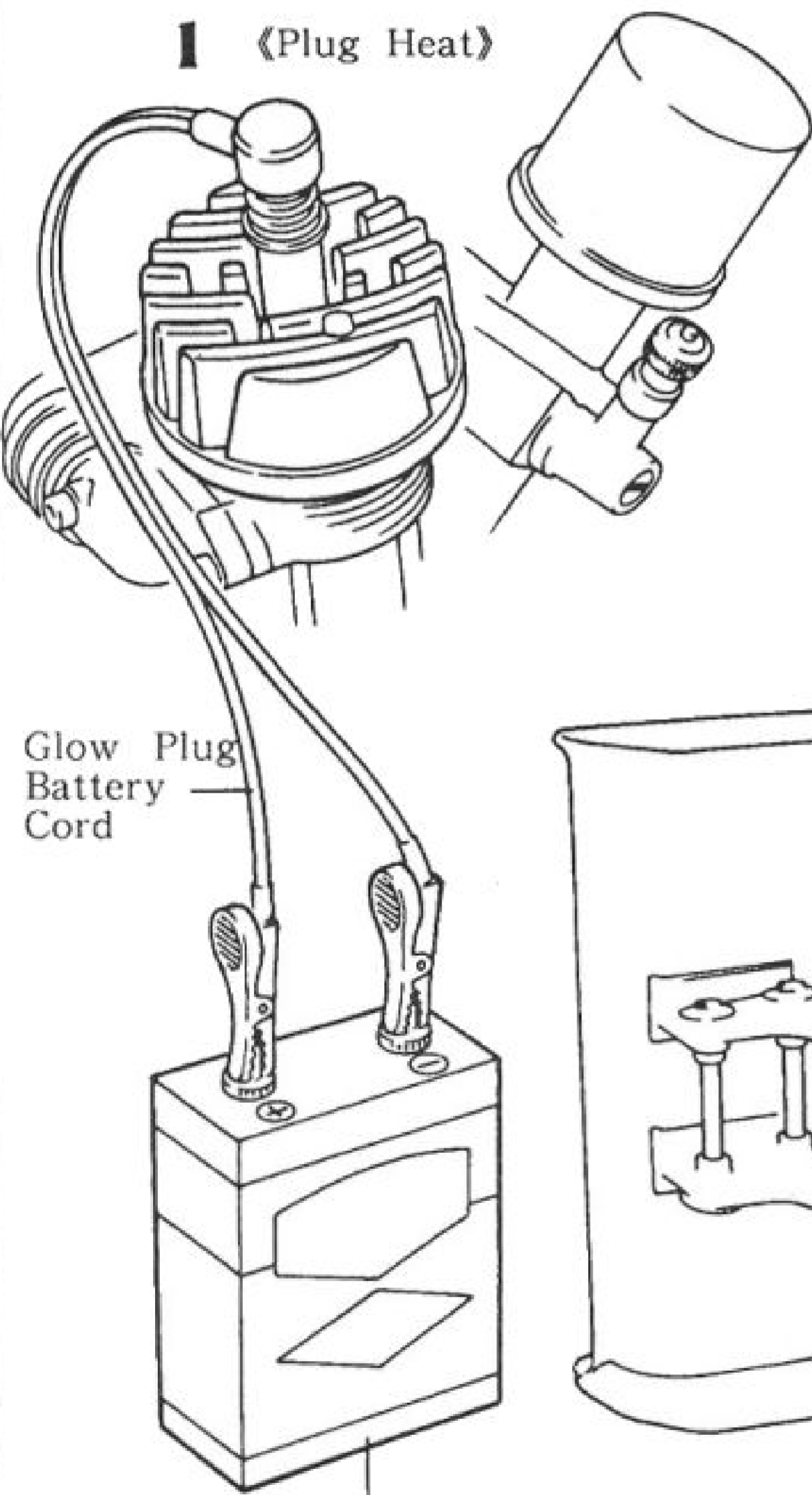


Take off the bevel gear (L) in order from 1~4.

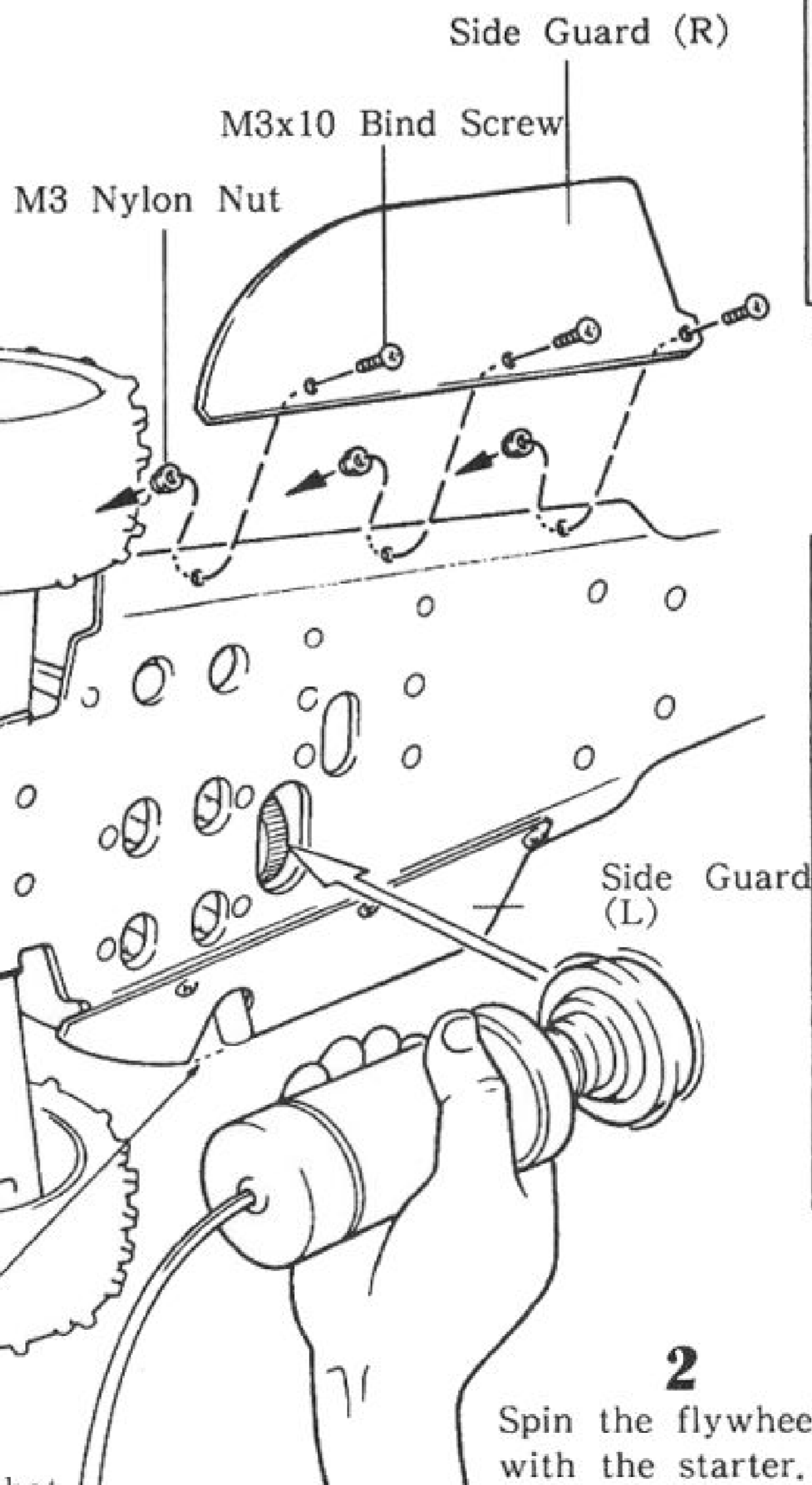


## STARTING THE ENGINE

### 1 《Plug Heat》



(Note)  
(64) side guard parts are for racing. Cut 2 pcs. for right and left using actual size drawing on page 16.

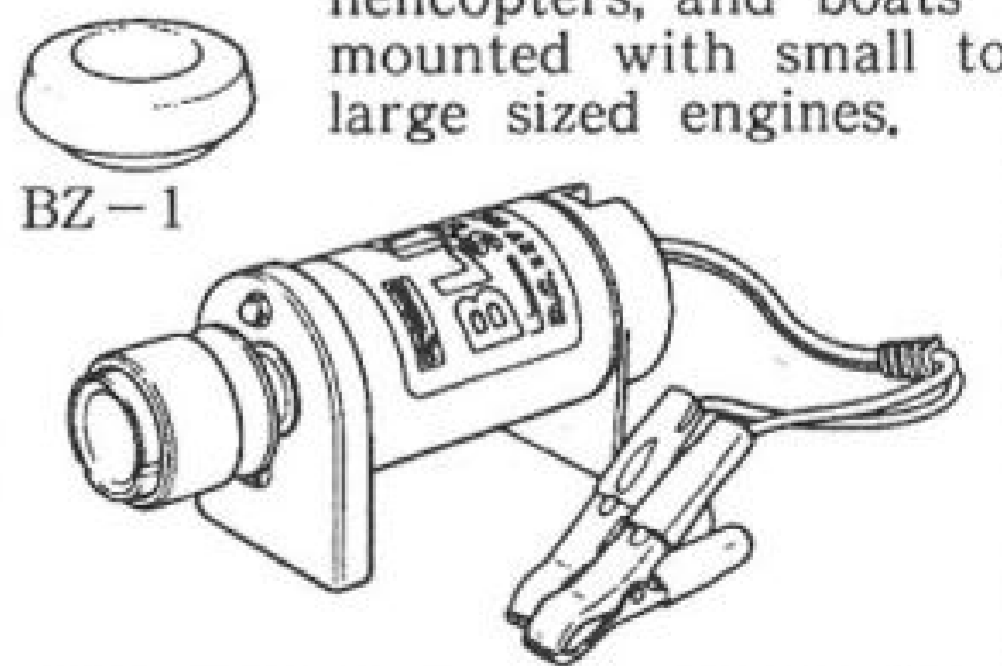


It has two different voltage power sources; one for heating up the plug, 1.5volts; the other is for driving a starter, 12volts. It is powered from a 12 volt battery. The ammeter on it tells you how good or bad your plug is working.



No.1835 Power Divider

It is equipped with a high power 12 volt DC motor. It powers your model with fast rotation and high torque. It will start all models such as racing and buggy cars, air planes, helicopters, and boats mounted with small to large sized engines.



No.1791 Blitz Starter

\*BZ-1 Starter Rubber Ring (for car)

<Not included>

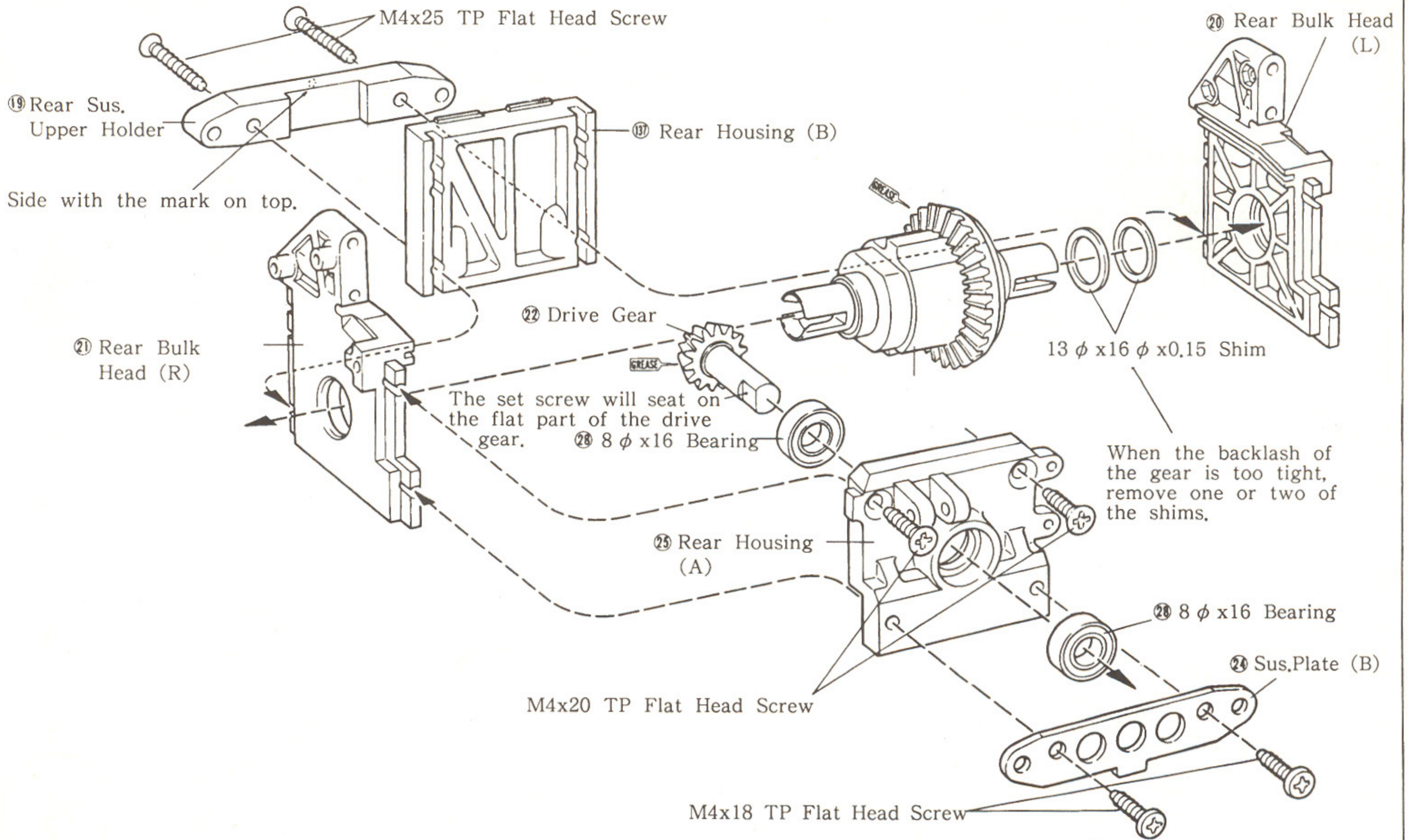
1.5V Battery for Plug Heat

\*kyosho "Power Divider" can be used for both plug heater and starter at the same time.

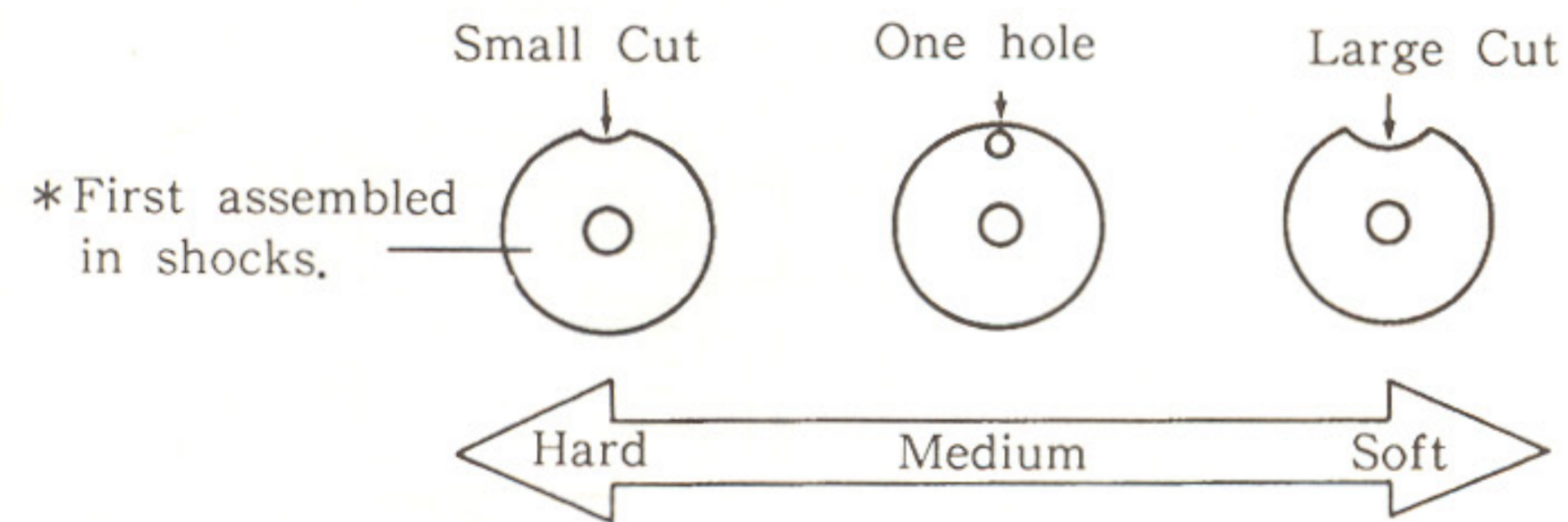
Cut off the part that hits against the muffler.

2 Spin the flywheel with the starter.

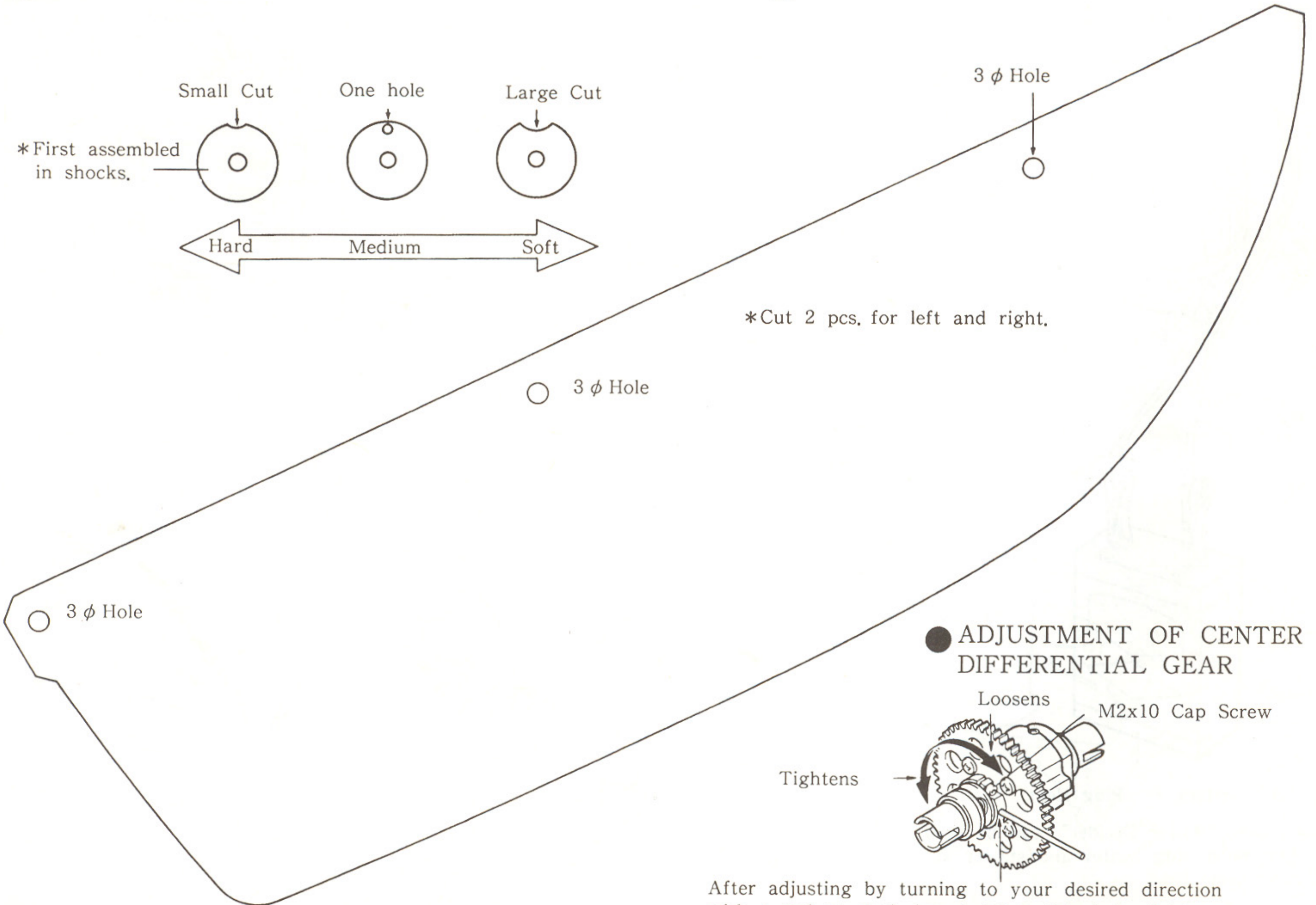
● EXPLODED VIEW OF REAR GEARBOX



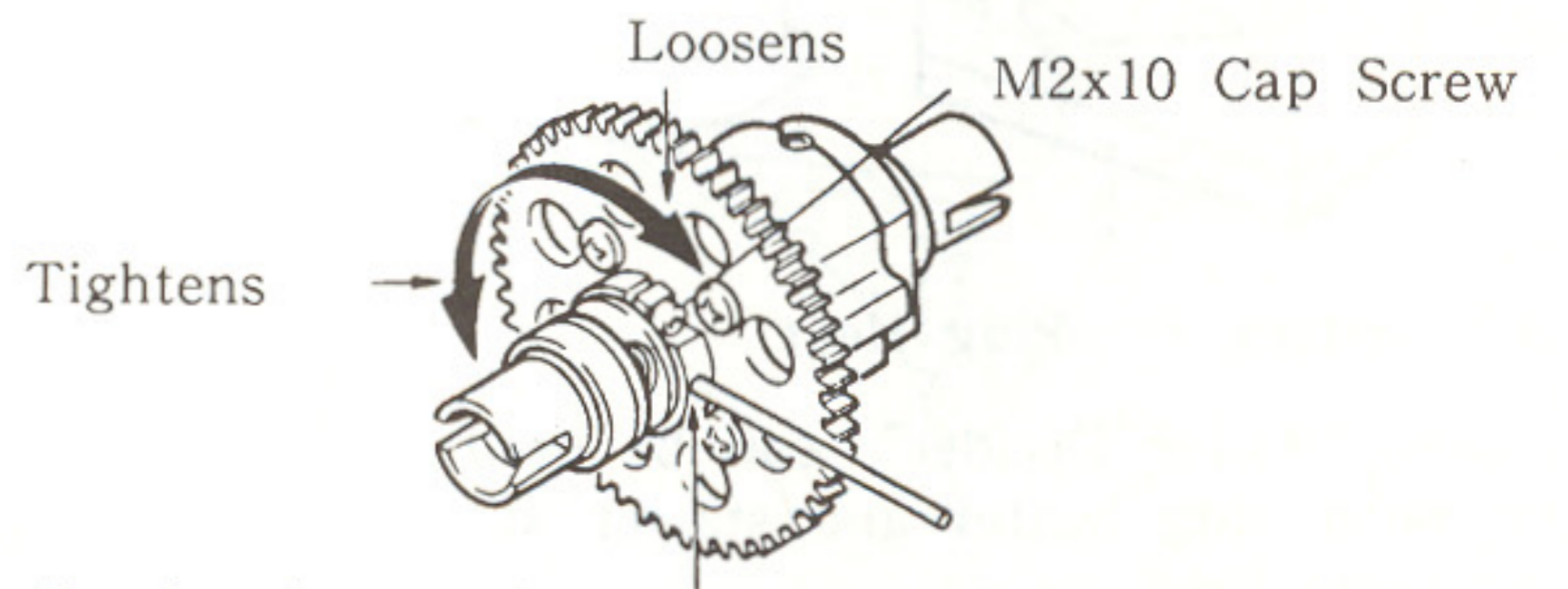
● SHOCK PISTON



● SIDE GUARD (ACTUAL SIZE)



● ADJUSTMENT OF CENTER DIFFERENTIAL GEAR



After adjusting by turning to your desired direction with a rod or shaft inserted into this hole, tighten with M2x10 Cap Screw.

## KEY NUMBER PARTS LIST

Key #	Parts Name	Q'ty	Key #	Parts Name	Q'ty	Key #	Parts Name	Q'ty
①	Shock Piston	4	⑥①	Brake Pads	2	①①⑨	O Ring (L)	4
②	E Ring (E2.5)	16	⑥②	Brake Cam	1	①②①	wheel Stopper Bolt	4
③	Shock O Ring (Orange)	8	⑥③	Brake Stopper	1	①②②	Body	1
④	Shock C Ring	4	⑥④	Brake Lever	1	①②③	Body Pin	4
⑤	Shock Collar (White)	4	⑥⑤	Side Guard	1	①②④	Diff. Gear Case	3
⑥	Plastic Washer (Black)	4	⑥⑥	Servo Saver Shaft (A)	2	①②⑤	Bevel Gear (L)	6
⑦	Spring Stopper	4	⑥⑦	Servo Saver Shaft (B)	1	①②⑥	Bevel Gear (S)	6
⑧	6.8 φ Ball (Black)	4	⑥⑧	Front Gear Cover	1	①②⑦	Bevel Gear Shaft	3
⑨	Pressure Top	4	⑥⑨	Servo Saver Spring	1	①②⑧	Diff. Gear Joint	5
⑩	Shock Cap	4	⑦①	Servo Saver Horn (A)	1	①②⑨	Center Diff. Gear Joint	1
⑪	Front Shock Shaft	2	⑦②	Servo Saver Horn (B)	1	①③①	Diff. Gear Housing	2
⑫	Rear Shock Shaft	2	⑦③	Servo Saver Horn (C)	1	①③②	Adjust Diff. Gear Joint (A)	1
⑬	Front Shock Case	2	⑦④	E Ring (E7)	2	①③③	6.8 φ Shock End	4
⑭	Rear Shock Case	2	⑦⑤	Tie Rod (A)	3	①③④	E Ring (E10)	2
⑮	Front Spring	2	⑦⑥	Tie Rod (B)	1	①③⑤	Front Sus. Upper Holder	1
⑯	Rear Spring	2	⑦⑦	6 φ Aluminum Collar	5	①③⑥	Strap (M)	4
⑰	5.8 φ Ball End	6	⑦⑧	Antenna Pipe	1	①③⑦	Body Hook	1
⑱	Rear Sus. Holder	1	⑦⑨	Radio Plate	1	①③⑧	Servo Spacer	2
⑲	Rear Sus. Upper Holder	1	⑦⑩	Switch Boot	1	①③⑨	Rear Housing (B)	1
⑳	Rear Bulk Head (L)	1	⑦⑪	Servo Fixing Post	4	①④①	Front Sus. Arm	2
㉑	Rear Bulk Head (R)	1	⑦⑫	Strap (L)	1	①④②	Silicone Grease	1
㉒	Drive Gear	2	⑦⑬	Rear Center Shaft	1	①④③	Screw Locking Compound	1
㉓	Joint	2	⑦⑭	3 φ x9.5 φ x1 Washer	2	①④④	Rear Hub (R)	1
㉔	Sus. Plate (A)	1	⑦⑮	Mount Plate	2	①④⑤	Engine Contro Rod	1
㉕	Rear Housing (A)	1	⑦⑯	Torque Rod Pivot	1	①④⑥	Main Chassis	1
㉖	Rear Sus. Arm	2	⑦⑰	Fuel Tank Pivot	1	①④⑦	Upper Sus. (C)	2
㉗	Rear Hub (L)	1	⑦⑱	Bumper	1	①④⑧	Decal	1
㉘	8 φ x16 Bearing	18	⑦⑲	Manifold	1	①④⑨	Air Cleaner	1 Set
㉙	Upper Sus. (A)	2	⑦⑳	Engine Mount	2	①⑤①	4 φ x67 Shaft	2
㉚	Upper Sus. (B)	4	⑦㉑	Flywheel	1	①⑤②	Wing Joint	2
㉛	M5x40 Shaft	4	⑦㉒	Clutch Pin	2	①⑤③	Drive Bevel Gear	2
㉜	Rear Wheel Shaft	2	⑦㉓	Pilot Shaft	1	①⑤④	Wing Plastic Washer	2
㉝	Swing Shaft	3	⑦㉔	Clutch Shoe	2	①⑤⑤	Spring Holder	4
㉞	Rear Shock Stay	1	⑦㉕	Clutch Spring	1	①⑤⑥	Wing Aluminum Washer	6
㉟	3 φ x28 Shaft	8	⑦㉖	Clutch Bearing Case	1	①⑤⑦	Brake Rod	1
㊱	3 φ x43 Shaft	8	⑦㉗	Clutch Rollar	8	①⑤⑧	Diff. Gear Case Packing	3
㊲	4 φ x78 Shaft	2	⑦㉘	Clutch Bell (13T)	1	①⑤⑨	Adjust Diff. Gear (B)	1
㊳	E Ring (E3)	9	⑦㉙	E Ring (E4)	6	①⑥①	Limiter Washer (Spare 2pcs.)	3
㊴	3 φ Stopper	4	⑦㉚	Muffler	1	①⑥②	8 φ Wave Washer	3
㊵	Rear Gear Cover	1	⑦㉛	Silicone Tube	1	①⑥③	Stabilizer Ball	2
㊶	Shock Bushing	4	⑦㉜	Servo Fixing Stay (A)	1	①⑥④	Rear Stabilizer (2.5 φ)	1
㊷	6.8 φ Ball (Silver)	7	⑦㉝	Servo Fixing Stay (B)	1	①⑥⑤	Wing	1
㊸	6.8 φ Ball End	8	⑦㉞	Wing Stay (L)	1	①⑥⑥	Sus. Plate (B)	1
㊹	8 φ Aluminum Collar	2	⑦㉟	Wing Stay (R)	1	①⑥⑦	8 φ x16 φ x1.2 Washer (Aluminum)	2
㊺	Front Housing (A)	1	⑦㊱	Fuel Tank	1	①⑥⑧	8 φ x16 φ x1.5 Washer (Aluminum)	6
㊻	Front Housing (B)	1	⑦㊲	Aluminum Pipe	1	①⑥⑨	Nipple	1
㊼	Front Bulk Head (R)	1	⑦㊳	Rubber Bushing	1	①⑦①	Muffler Stay	1
㊽	Front Bulk Head (L)	1	⑦㊴	Tube	1	①⑦②	O Ring (P4)	2
㊾	Front Shock Stay	1	⑦㊵	Plate Joint	1	①⑦③	5.8 φ Ball	4
㊿	Knuckle Arm (R)	1	⑦㊶	M3x30 Rod	3	①⑦④	Wing Holder (L)	1
51	Knuckle Arm (L)	1	⑦㊷	2 φ Stopper	5	①⑦⑤	Wing Holder (R)	1
52	Hub Carrier (R)	1	⑦㊸	Engine Control Spring	1			
53	Hub Carrier (L)	1	⑦㊹	Linkage Guide (B)	1			
54	King Pin	4	⑦㊺	Rear Wheel	2			
55	Universal Swing Shaft	2	⑦㊻	Front Wheel	2			
56	Spur Gear	1	⑦㊼	Rear Tire	2			
57	Center Diff. Housing (A)	1	⑦㊽	Front Tire	2			
58	Center Diff. Housing (B)	1	⑦㊾	2.6 φ x16 Shaft	10			
59	Disk Brake	1	⑦㊿	Wheel Stopper	4			

## PURCHASABLE PARTS FOR YOUR KIT

You can purchase replacement optional parts for your kit. All of the part identified by key number are usually not available singularly, but we offer these parts in convenient parts "packs" which can be purchased separately. To figure out which parts pack you need, find the key number for

that part within the manual. Then consult out part guide below. When referring to the parts you need, always use the Parts Pack Number. For example, if you need a Main Gear (Key #56) ask your dealer for Kyosho Parts Pack BS-11 (Main Gear).

No.	Parts Name	Key No. & Q'ty
BS-3	Sus. Holder	18 19 57 58 59 60 61 62 63 64 X1 65 X2
BS-4	Rear Bulk Head	20 21 25 26 X1
BS-5	Front Bulk Head	45 46 47 48 X1
BS-7	Upper Sus. Arm	29 30 X2 31 X4
BS-9	Rear Hub Carrier	27 28 X1
BS-10	Front Bumper	36 X1
BS-11	Main Gear	56 X1
BS-12	Radio Plate	77 X1 79 X4
BS-13	Shaft Set	35 36 X8 37 38 X2
BS-16	8 φ x16 Bearing	28 X2
BS-17	Rear Wheel Shaft	32 X2
BS-18	Gear Cover	40 67 X1
BS-19	Front Hub	50 51 X1
BS-20	Universal Joint	55 X2
BS-21	Brake Set	59 61 62 63 64 X1 60 X2
BS-22	Servo Saver Set	66 68 69 70 71 X1 65 X2 72 X4
BS-23	Tie Rod Set	74 X1 73 X2 42 43 X6
BS-25	Engine Mount	83 84 X2
BS-26	Manifold	87 X1
BS-31	Rear Tire (M-RH)	105 X2
BS-32	Front Tire (M-FH)	106 X2
BS-33	Wheel Stopper Set	107 108 109 X4
BS-35	Diff. Gear Case	111 X1 110 X1
BS-36	Bevel Diff. Gear (L)	112 X2
BS-37	Bevel Diff. Gear (S)	113 X2
BS-38	Bevel Gear Shaft	114 X2
BS-39	Diff. Gear Joint	115 X2
BS-40	Center Diff. Gear Joint	116 X2
BS-41	Diff. Gear Housing	117 X1
BS-44	Flywheel	119 X1 120 X2
BS-45	Swing Shaft	121 X2
BS-46	6.8 φ Ball	122 X10
BS-47	E Ring (E10)	123 X10
BS-52	2.6 φ x16 Shaft	124 X10
BS-53	Shim Set	4 φ X10 6 φ X18 12 φ X16 8 φ X12
BS-55	Wheel Stopper Bolt	125 126 X6
BS-56	Lower Sus. Arm	26 27 X2
BS-57	Front Hub Carrier	52 53 X1
BS-58	Rear Wheel	100 X2
BS-59	Front Wheel	101 X2
BS-60	Body Turbo Burns	102 X1
BS-61	Main Chassis	103 X1
BS-62	Rear Center Shaft	81 X1
BS-63	Stabilizer Set	104 X1 105 106 107 X2 108 X4
BS-64	Muffler	98 99 X1
BS-65	Fuel Tank	100 101 102 103 X1
BS-66	Decal	104 X1
BS-67	M5x40 Shaft	31 X4
BS-68	Side Guard	64 X1
BS-69	Shock Stay	34 49 100 X1
BS-70	Plate Joint Set	111 24 X1
BS-71	Linkage Set	78 79 110 111 112 X1 113 X5
BS-72	Aluminum Collar	84 X1 44 75 X2
BS-73	Screw Set	Screws, Nuts, Washers
BS-74	O Ring (P4)	66 X10
FM-29	Body Pin	107 X10
FM-73	Pilot Shaft	91 X1
FM-185	Joint	23 X2
KC-7	King Pin	34 X4
KC-18	3 φ Stopper	39 X10
KC-20	E Ring (E4)	97 X4
KC-45	Special Clutch Shoe	33 X1 32 X2
SD-54	Clutch Bell (13Z)	96 X1





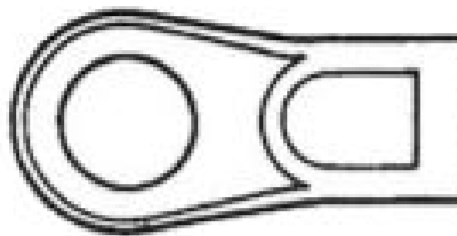
No.	Parts Name	Key No. & Q'ty
SD-79	Antenna Pipe	76 X5
EF-38	Strap (M)	10 X6
EF-39	Ni-Cad Strap	80 X6
LD-29	Silicone Pipe	99 X2
LD-70	Clutch Bearing	94 X1 95 X8
CB-72	E Ring (E3)	38 X4
CB-110	Air Cleaner	100 X1
OT-32	5.8 φ Ball	101 X10
OT-39	E Ring (E2.5)	2 X10
BSW-1	Drive Bevel Gear (S)	22 X1
BSW-2	Drive Bevel Gear (L)	19 X1
BSW-5	Wing	60 X1
BSW-6	Wing Stay	104 105 X1 106 107 108 X2 109 X6
BSW-27	Big Pressure Shock (Front)	4 5 6 7 8 9 10 11 13 15 41 100 101 X2 3 X4 1 X6
BSW-28	Big Pressure Shock (Rear)	4 5 6 7 8 9 10 12 14 16 41 100 101 X2 3 X4 1 X6
BSW-29	Big Pressure Spring (Front)	(S, M, H)
BSW-30	Big Pressure Spring (Rear)	(S, M, H)
BSW-31	* Plastic Parts	7 10 101 X4 41 X8 1 X12
BSW-32	* Pressure Top	9 X10
BSW-33	* O Ring Set	6 5 42 X2 3 4 X4
BSW-34	Adjsut Center Diff.	102 103 X1 - 104 107 X3

Optional Spare Parts		
FM-75	Clutch Bearing	Full Ball Type
FM-82	Clutch Bell (11Z)	
FM-160	Special Engine Mount	17S
FM-217	Special Muffler	
SD-53	Clutch Bell (12Z)	
SD-55	Clutch Bell (14Z)	
BSW-3	Special Manifold	For OS ENYA
BSW-8	Color Wheel (Front)	F. Yellow
BSW-9	Color Wheel (Rear)	F. Yellow
BSW-10	Rear Tire (M-R S)	Soft Compound
BSW-11	* (S-RH)	Hard Compound
BSW-12	* (S-R S)	Soft Compound
BSW-13	Front Tire (M-F S)	Soft Compound
BSW-14	* (S-FH)	Hard Compound
BSW-15	* (S-F S)	Soft Compound
BSW-16	OPS Engine Parts	
BSW-19	Steel Gear (53T)	Steel
BSW-20	Rear Tire (H-RH)	Block Hard
BSW-21	Front Tire (H-FH)	Block Hard
BSW-22	Flywheel (OS21EX)	
BSW-23	Rear Tire (H-R S)	Block Soft
BSW-24	Front Tire (H-F S)	Block Soft
BSW-35	Special Tie Rod	Adjustable
BSW-36	Special Upper Rod	Adjustable
BSW-37	Hard Block Tire	
1953	Silicone Oil (S)	Viscosity 100SC, 200SC
1954	* (M)	Viscosity 300SC, 400SC
1955	* (H)	Viscosity 500SC, 600SC
1956	Silicone Oil	Super Hard



This production is not to be sold in the United States. If you have purchased this product in the United States, please contact Tom Miller at Kyosho U.S.A. phone number (217) 398-3630.


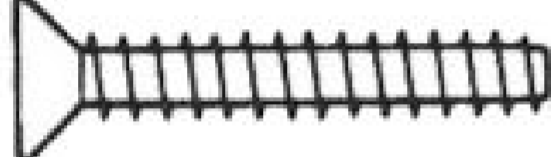



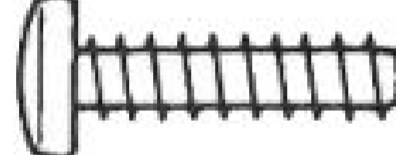

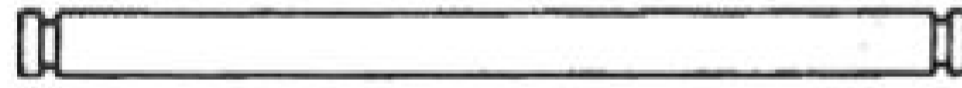
**1 ASSEMBLY OF SHOCKS**

- ③ Shock O Ring... 8  (Orange)
- ④ Shock C Ring... 4 
- ⑤ Shock Collar ... 4  (White)
- ⑥ Plastic Washer... 4  (Black)
- ⑩ 6.8 φ Shock End... 4 









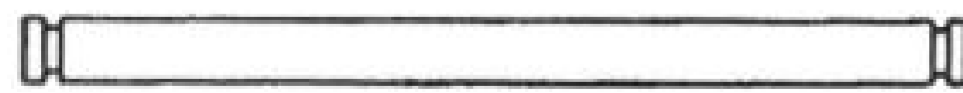



**3 INSTALLATION OF SHOCK SPRINGS**


- ⑧ 6.8 φ Ball ..... 4  (Black)

**4 INSTALLATION OF REAR GEARBOX PARTS**


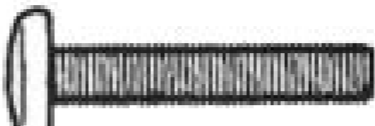





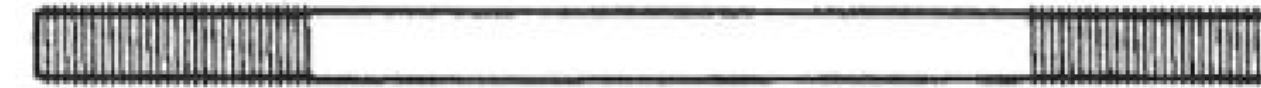
- ⑪ M5x40 Shaft..... 2 
- M4x25 TP Flat Head Screw ..... 2 
- M5x4 Set Screw ..... 1 
- M3x20 Cap Screw ..... 2 
- M3 Flange Nut..... 2 
- M4x15 TP Screw... 4 
- ② E Ring (E2.5)... 4 
- ⑬ 3 φ x43 Shaft..... 2 

**5 INSTALLATION OF REAR SUSPENSION ARM**

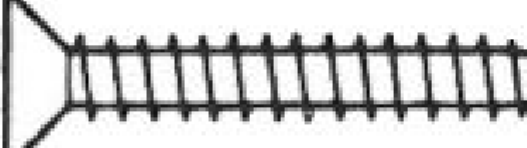




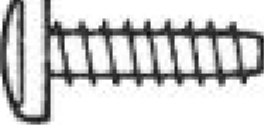
- ⑭ Stabilizer ..... 2 
- ⑮ M3x30 Rod..... 2 
- ⑯ 5.8 φ Ball ..... 2 
- ⑰ 5.8 φ Ball End ... 4 
- ⑳ 3 φ x28 Shaft..... 2 
- M3x3 Set Screw... 4 
- ㉑ 3 φ Stopper ..... 2 
- ② E Ring (E2.5)... 4 
- ㉒ 3 φ x43 Shaft..... 2 
- M3x12 Flat Head Screw ..... 2 
- ㉓ E Ring (E3)..... 4 
- M4x12 Set Screw ..... 4 

- ㉔ 4 φ x78 Shaft... 2 




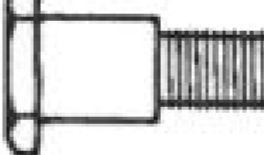

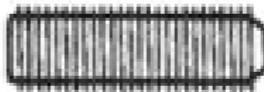
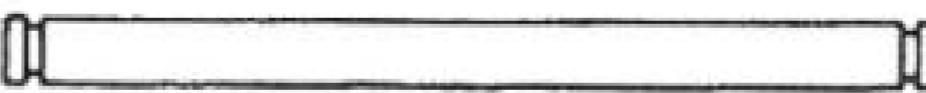


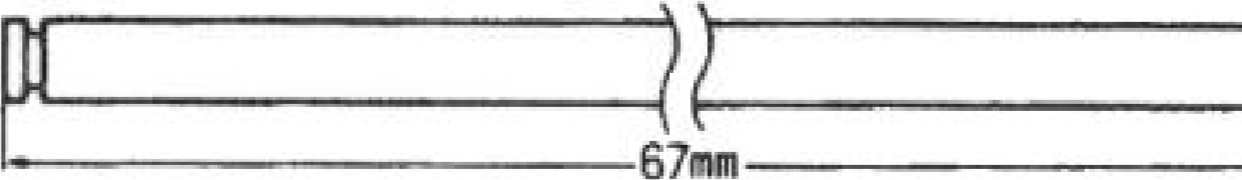
**6 INSTALLATION OF REAR SHOCKS**

- M3x10 TP Screw ..... 1 
- M3x15 Bind Screw ..... 1 
- M3x5 Set Screw ..... 2 
- M3 Nylon Nut ..... 2 
- ㉕ 3 φ x28 Shaft..... 2 
- ④ Shock Bushing... 2 
- ㉖ 6.8 φ Ball ..... 1  (Silver)
- ㉗ Tie Rod (A)..... 1 



**7 INSTALLATION OF FRONT GEARBOX PARTS**

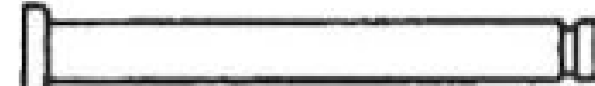
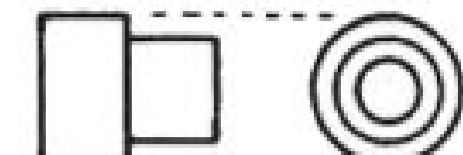
- M4x25 TP Flat Head Screw ..... 2 
- M5x4 Set Screw... 1 
- M3x18 Cap Screw ..... 2 
- M3x20 Cap Screw ..... 2 
- M3 Flange Nut..... 4 
- M3x10 TP Screw ..... 2 

**8 INSTALLATION OF FRONT SUSPENSION PARTS**


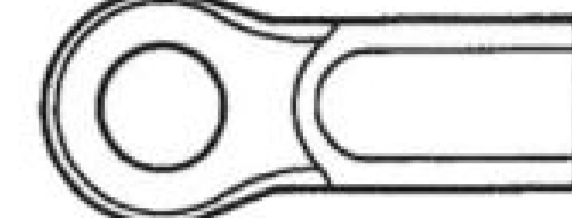
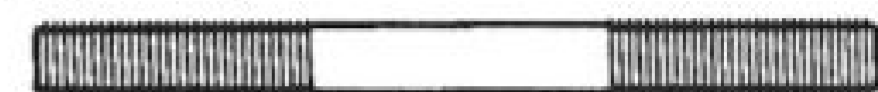
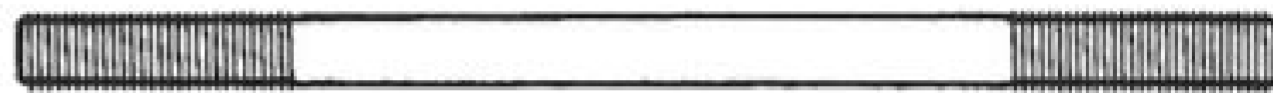
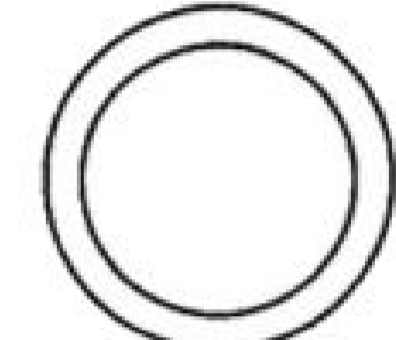



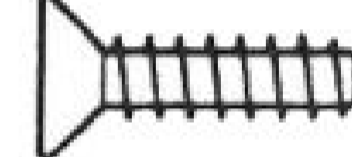



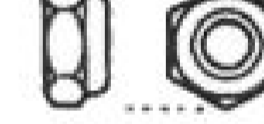
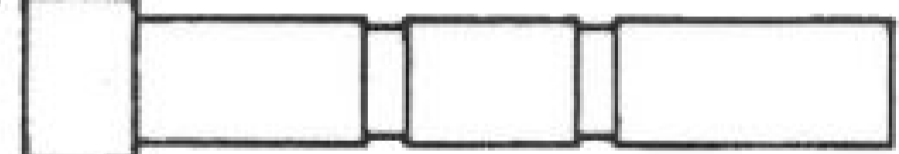
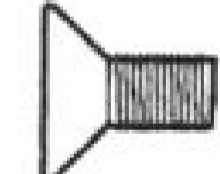
- ⑪ M5x40 Shaft ..... 2 
- M3x3 Set Screw... 2 
- ㉘ 3 φ Stopper ..... 2 
- ㉙ King Pin..... 4 
- ㉕ 3 φ x28 Shaft..... 2 
- M4x12 Set Screw ..... 2 
- ㉚ 3 φ x43 Shaft... 4 
- ② E Ring (E2.5)... 8 
- ㉛ E Ring (E3) ..... 4 
- ㉜ φ x67 Shaft ..... 2 

**9 INSTALLATION OF FRONT SHOCKS**

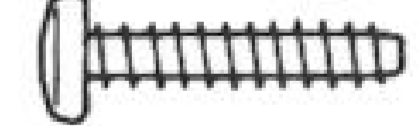

- M3x5 Set Screw... 2  (White)
- M3 Nylon Nut ..... 2 

- ㉝ 3 φ x28 Shaft..... 2 
- ④ Shock Bushing... 2 

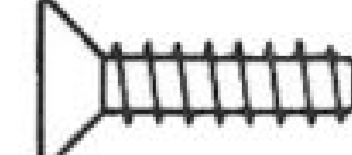
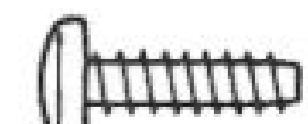


**10 INSTALLATION OF BRAKE AND SERVO SAVER**

- ㉞ 6.8 φ Ball ..... 6  (Silver)
- ㉟ 6.8 φ Ball End ... 6 
- ㊱ Tie Rod (B)..... 1 
- ㊲ Tie Rod (A)..... 2 
- 13 φ x16 φ x0.15 ... 2 Shim 
- M3x18 Cap Screw ..... 2 
- M3x10 TP Screw... 2 
- M3x3 Set Screw... 1 
- M4x15 TP Flat Head Screw ..... 4 
- M3x25 Bind Screw ..... 2 
- 3 φ Washer ..... 4 
- ㊳ 6 φ Aluminum Collar ..... 4 
- M3 Nylon Nut ..... 2 
- ㊴ Servo Saver Shaft (A) ..... 2 
- M4x8 Flat Head Screw ..... 2 

**11 INSTALLATION OF RADIO SYSTEM**




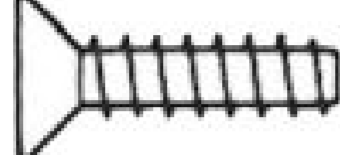
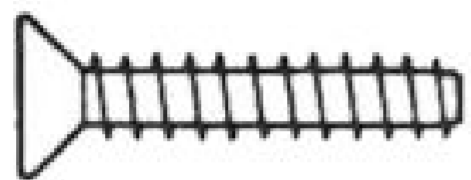
- ..... 4 
- ㊵ ..... 2 

**12 INSTALLATION OF REAR BLOCK**



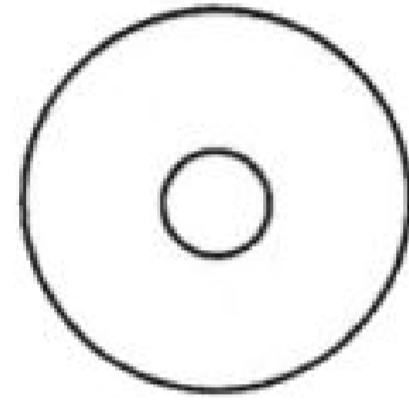
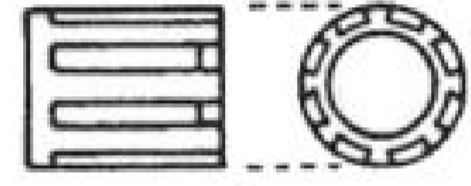
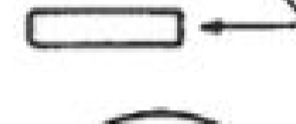


- M4x15 TP Flat Head Screw ..... 4 
- M3x10 TP Screw... 1 
- M3x10 Bind Screw ..... 1 
- ㊶ Torque Rod Pivot ..... 1 

SMALL PARTS USED IN EACH ASSEMBLY STEP (2)



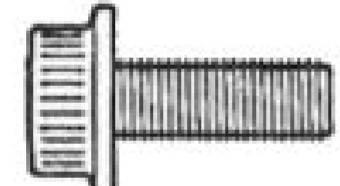
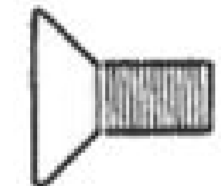
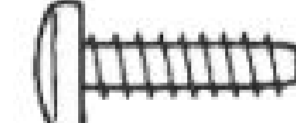

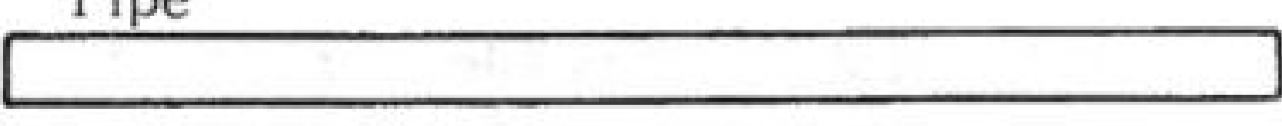
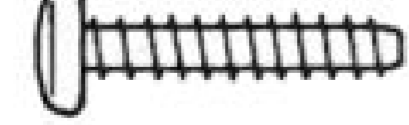


**13** INSTALLATION OF FRONT BLOCK

- ⑩ O Ring (P4).....2  (Orange)
- M3x15 Flat Head Screw .....2 
- M3 Nut .....2 
- M4x15 TP Flat Head Screw ..2 
- M4x20 TP Flat Head Screw ..2 




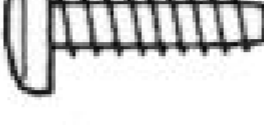


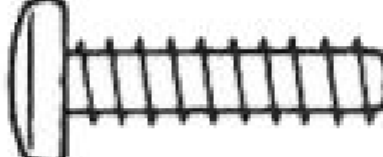


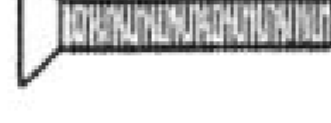

**14** INSTALLATION OF CLUTCH

- M3x20 Cap Screw ..P 
- M3x10 Cap Screw ..5 
- 5 φ x18 Washer.....1 
- ⑨ Clutch Bearing Case ..1 
- ⑨ Clutch Rollar .....8  (Assembled)
- 5 φ Washer .....1 
- ⑩ E Ring (E3).....1 



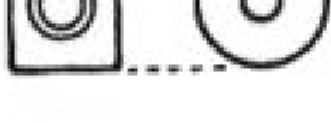
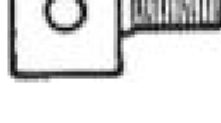
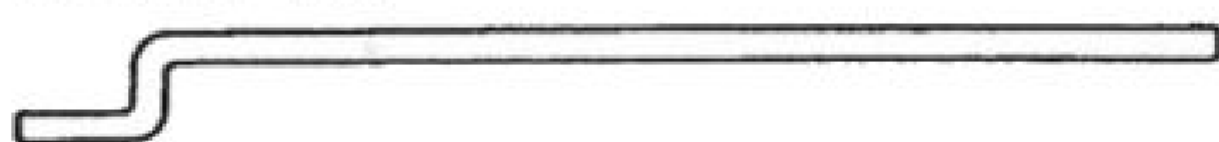
**15** INSTALLATION OF ENGINE & ENGINE CONTROL SERVO

- ⑩ Nipple .....1 
- M3 Nylon Nut.....2 
- M4x10 Flange Cap Screw ..4 
- M4x8 Flat Head Screw .....4 
- M3x10 TP Screw .....2 
- ⑩ Rubber Bush .....1 
- ⑩ Aluminum Pipe .....1 
- M3x15 TP Screw .....6 
- M3x12 Screw.....2 
- (Use for big servo)
- ⑩ Servo Spacer .....2 



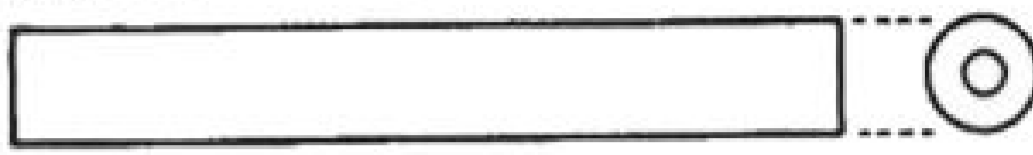


**16** INSTALLATION OF RADIO PLATE

- ⑩ 5.8 φ Ball.....2 
- ⑩ 5.8 φ Ball End..2 
- ⑩ M3x30 Rod .....1 
- M3x10 TP Screw .....4 
- M3 Flange Nut.....2 
- M4x15 Screw.....2 
- M4x15 TP Screw .....2 
- ⑩ 8 φ Aluminum Collar.....2 
- ⑩ 6 φ Aluminum Collar.....1 
- M3x15 Flat Head Screw .....1 
- M3x12 Flat Head Screw .....1 

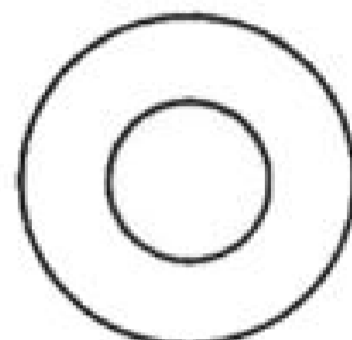


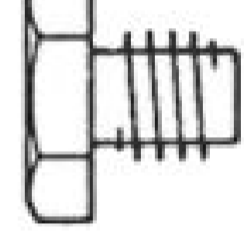
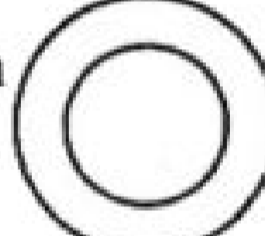
**17** ENGINE CONTROL LINKAGE

- M3x3 Set Screw.....5 
- M2 Nut .....1 
- ⑩ 2 φ Stopper.....5 
- ⑩ Linkage Guide (B) .....1 
- ⑩ Brake Rod .....1 


**18** ASSEMBLY OF WING STAY

- M3x15 Cap Screw .....8 
- ⑩ Wing Aluminum Washer 6 
- ⑩ Wing Joint .....2 
- ⑩ 3 φ x9.5 φ x1 Washer ..2 
- M3 Nylon Nut .....4 

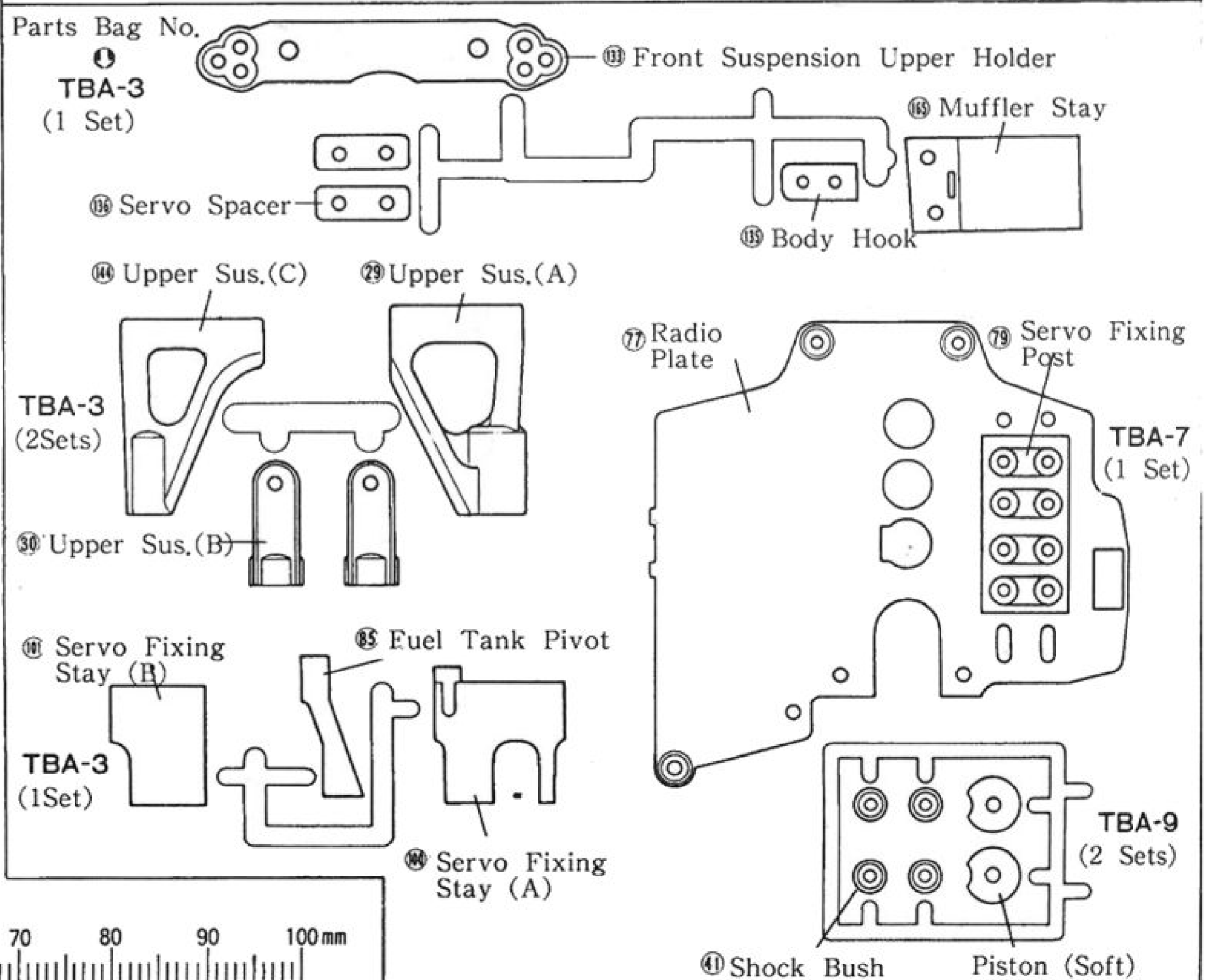
**20** INSTALLATION OF TIRE

- ⑩ 8 φ x16 φ x1.5 Washer (Aluminum) .....4 
- ⑩ 2.6 φ x16 Sahft .....4 
- ⑩ O Ring (L).....4 
- ⑩ Wheel Stopper Bolt ..4 
- In case that wheel shaft has a backlash some play.
- 8 φ x12 Shim .....4 

**23** INSTALLATION OF BODY & WING

- ⑩ Body Pin.....4 

DRAWING OF PLASTIC PARTS WITH RUNNERS

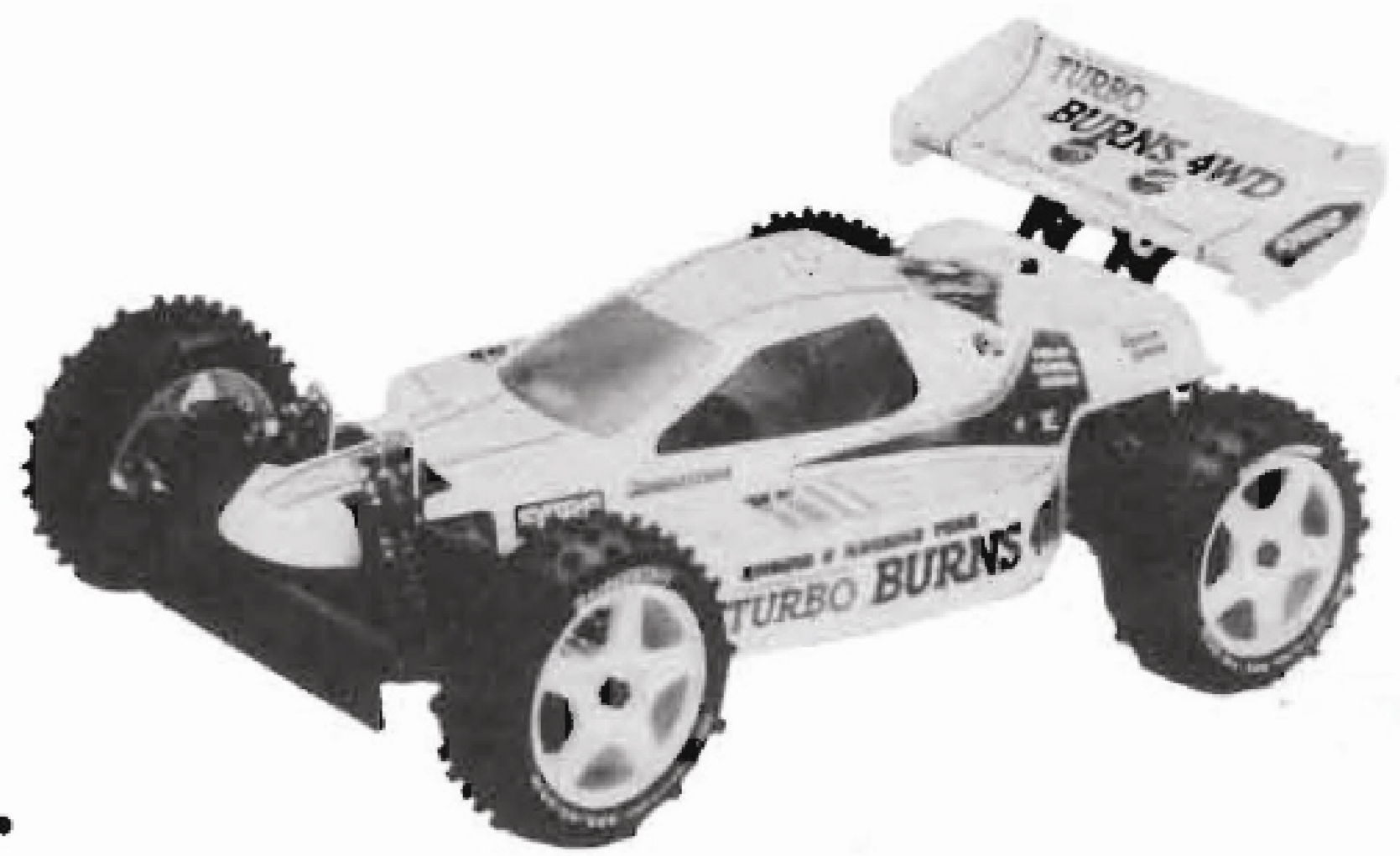


(Actual Size Scale)





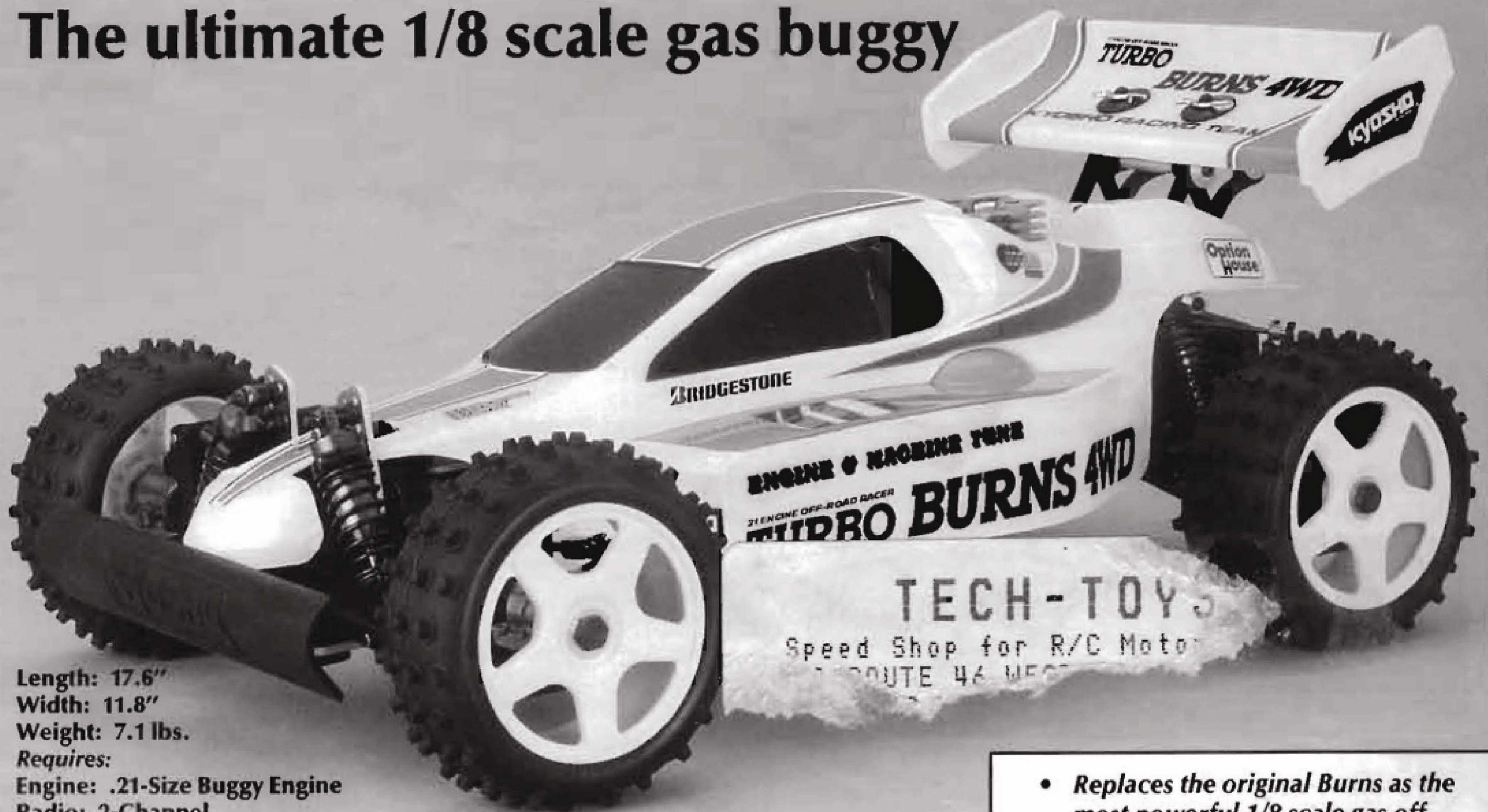
# TURBO BURNS 4WD™



Action that's bigger, louder, faster ...  
1/8 scale gas.

Parts List		Sugg. Retail			Sugg. Retail
KYOC0535	3097 Turbo Burns .21 4WD Gas .....	\$649.95	KYOC4012	BS-65 Fuel Tank .....	\$16.00
KYOC6053	BS-03 Suspension Holder Set .....	\$9.60	KYOC3187	BS-66 Decals .....	\$4.80
KYOC2623	BS-04 Bulkhead - Rear .....	\$9.60	KYOC5570	BS-67 Shaft M5 x 40 .....	\$3.50
KYOC2622	BS-05 Bulkhead - Front .....	\$9.60	KYOC2994	BS-68 Chassis Guard .....	\$8.00
KYOC6064	BS-07 Suspension Arm Set - Upper ....	\$9.60	KYOC5762	BS-69 Shock Stay .....	\$12.10
KYOC4234	BS-09 Hub Carrier Set - Rear (2) .....	\$5.70	KYOC4818	BS-70 Plate Set .....	\$4.80
KYOC2637	BS-10 Bumper .....	\$4.80	KYOC4454	BS-71 Linkage Set .....	\$8.90
KYOC4557	BS-11 Main Gear .....	\$6.40	KYOC3068	BS-72 Collar - Aluminum .....	\$4.80
KYOC4583	BS-12 Mechanism Plate .....	\$5.70	KYOC5462	BS-73 Screw Set.....	\$24.10
KYOC5662	BS-13 Shaft Set.....	\$20.80	KYOC4709	BS-74 O-Ring (P-4) .....	\$3.20
KYOC2218	BS-16 Bearing (8 x 16) (2) .....	\$10.50	KYOC3321	BSW-01 Drive Bevel - S .....	\$16.00
KYOC6331	BS-17 Wheel Shaft - Rear (2) .....	\$10.50	KYOC3322	BSW-02 Drive Bevel - L .....	\$27.40
KYOC4128	BS-18 Gear Cover .....	\$4.10	KYOC4578	BSW-03 Manifold - Special .....	\$34.20
KYOC4236	BS-19 Hub Set - Front.....	\$7.20	KYOC6361	BSW-05 Wing .....	\$14.40
KYOC6288	BS-20 Universal Joint (2) .....	\$38.30	KYOC6368	BSW-06 Wing Stay For BSW-05 .....	\$16.00
KYOC5267	BSW-20 Rear Tire Block Hard (2) ....	\$30.20	KYOC3908	BSW-08 Front Wheel (Yellow) (2)....	\$11.20
KYOC2603	BS-21 Brake Set (2) .....	\$8.00	KYOC5314	BSW-09 Rear Wheel (Yellow) (2) ....	\$11.20
KYOC3838	BSW-21 Front Tire Block Hard (2) ....	\$30.20	KYOC5232	BSW-10 Rear Tire (M-RS) (2) .....	\$17.60
KYOC5633	BS-22 Servo Saver Set .....	\$9.60	KYOC5233	BSW-11 Rear Tire (S-RH) (2) .....	\$19.20
KYOC6178	BS-23 Tie Rod Set .....	\$6.40	KYOC5234	BSW-12 Rear Tire (S-RS) (2).....	\$19.20
KYOC5268	BSW-23 Rear Tire Block Soft (2) .....	\$30.20	KYOC3832	BSW-13 Front Tire (M-FS) (2).....	\$16.00
KYOC3839	BSW-24 Front Tire Block Soft (2) ....	\$30.20	KYOC3833	BSW-14 Front Tire (S-FH) (2) .....	\$19.20
KYOC3458	BS-25 Engine Mount.....	\$16.00	KYOC3834	BSW-15 Front Tire (S-FS) (2) .....	\$19.20
KYOC4576	BS-26 Manifold .....	\$4.80	KYOC4559	BSW-19 Main Gear - Steel 53T .....	\$22.50
KYOC5231	BS-31 Rear Tire Block Medium (2) ..	\$17.60	KYOC3536	BSW-22 Flywheel (OS21EX) .....	\$40.35
KYOC3831	BS-32 Front Tire Block Medium (2) ..	\$16.00	KYOC5733	BSW-27 Shock-Lrg.-Front Burns (2) ..	\$43.95
KYOC3307	BSW-32 Diaphragm Set .....	\$8.00	KYOC5734	BSW-28 Shock-Lrg.-Rear Burns (2) ..	\$43.95
KYOC6326	BS-33 Wheel Stopper Set .....	\$12.00	KYOC5832	BSW-29 Spring Set (Front) .....	\$9.60
KYOC4694	BSW-33 O-Ring Set .....	\$12.80	KYOC5833	BSW-30 Spring Set (Rear) .....	\$9.60
KYOC3283	BS-35 Differential Gear Case .....	\$6.40	KYOC4832	BSW-31 Plastic Parts Set .....	\$16.00
KYOC6177	BSW-35 Tie Rod Set - Special .....	\$9.60	KYOC2808	BSW-34 Center Differential - Adjust ..	\$19.30
KYOC3278	BS-36 Differential Bevel (L) (2) .....	\$2.00	KYOC3395	CB-072 E Ring (E-3) (4) .....	\$1.60
KYOC6281	BSW-36 Upper Rod Set - Special .....	\$12.10	KYOC2030	CB-110 Air Cleaners - .19-25 (2) .....	\$9.60
KYOC3279	BS-37 Differential Bevel (S) (2) .....	\$1.60	KYOC6030	EF-038 Strap (3/16 x 8) (6) .....	\$4.80
KYOC6229	BSW-37 Tires High Block .....	\$29.95	KYOC6020	EF-039 Strap (1/4 x 12) (6) .....	\$6.40
KYOC2334	BS-38 Bevel Joint (2) .....	\$4.80	KYOC2570	FM-029 Body Pins (10) .....	\$2.50
KYOC3303	BS-39 Differential Joint (2).....	\$8.90	KYOC3459	FM-050 Engine Mount - Special .....	\$19.20
KYOC2801	BS-40 Center Differential Joint (2) .....	\$9.60	KYOC4725	FM-073 Pilot Shaft .....	\$8.00
KYOC3306	BS-41 Differential Housing (2) .....	\$2.50	KYOC2917	FM-075 Clutch Bearing (Ball) .....	\$51.30
KYOC3533	BS-44 Flywheel .....	\$11.20	KYOC2949	FM-082 Clutch Bell - 11T .....	\$13.70
KYOC6107	BS-45 Swing Shaft (2) .....	\$8.00	KYOC4307	FM-185 Joint (2) .....	\$9.60
KYOC3407	BS-47 E Ring (E-10) (10) .....	\$4.10	KYOC4649	FM-217 Muffler - Special.....	\$52.50
KYOC5656	BS-52 Shaft - 2.6 x 16 (10) .....	\$2.90	KYOC4360	KC-07 King Pin (4) .....	\$5.70
KYOC5573	BS-53 Shim Set (10) .....	\$5.70	KYOC6000	KC-18 Stopper - 3mm (10) .....	\$10.50
KYOC6327	BS-55 Wheel Stop Bolt - (10) .....	\$6.40	KYOC3400	KC-20 E Ring (E-4) (4) .....	\$2.00
KYOC6056	BS-56 Suspension Arms - Lower .....	\$13.95	KYOC2990	KC-45 Clutch Parts (HD) .....	\$20.80
KYOC3721	BS-57 Front Hub Set .....	\$6.40	KYOC5735	LD-29 Silicon Exhaust Tube (2) .....	\$6.40
KYOC5361	BS-58 Rear Wheel Set .....	\$9.95	KYOC2915	LD-70 Clutch Bearing (Roller) .....	\$9.30
KYOC3909	BS-59 Front Wheel .....	\$8.95	KYOC2167	OT-032 Ball-5.8mm (10) .....	\$4.10
KYOC2424	BS-60 Body .....	\$41.95	KYOC3392	OT-039 E Ring (E-2.5) (10) .....	\$2.00
KYOC4512	BS-61 Main Chassis .....	\$55.45	KYOC2950	SD-53 Clutch Bell - 12T (.20) .....	\$13.70
KYOC2807	BS-62 Centershaft - Rear .....	\$8.05	KYOC2955	SD-54 Clutch Bell - 13T (.20) .....	\$13.70
KYOC5953	BS-63 Stabilizer Set .....	\$8.90	KYOC2960	SD-55 Clutch Bell - 14T (.20) .....	\$13.70
KYOC4647	BS-64 Muffler.....	\$47.90	KYOC2055	SD-79 Antenna Tube (5).....	\$4.10

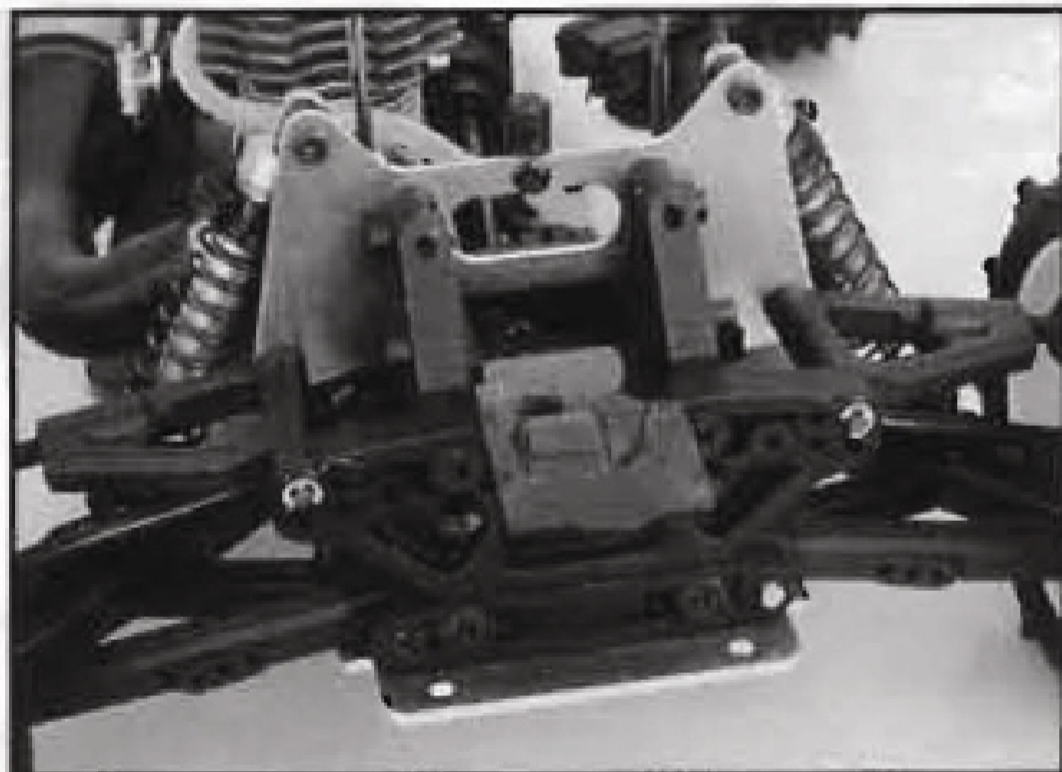
## The ultimate 1/8 scale gas buggy



Length: 17.6"  
Width: 11.8"  
Weight: 7.1 lbs.  
Requires:  
Engine: .21-Size Buggy Engine  
Radio: 2-Channel

TECH-TOYS  
Speed Shop for R/C Motors  
ROUTE 46 WEST

# TURBO BURNS 4WD



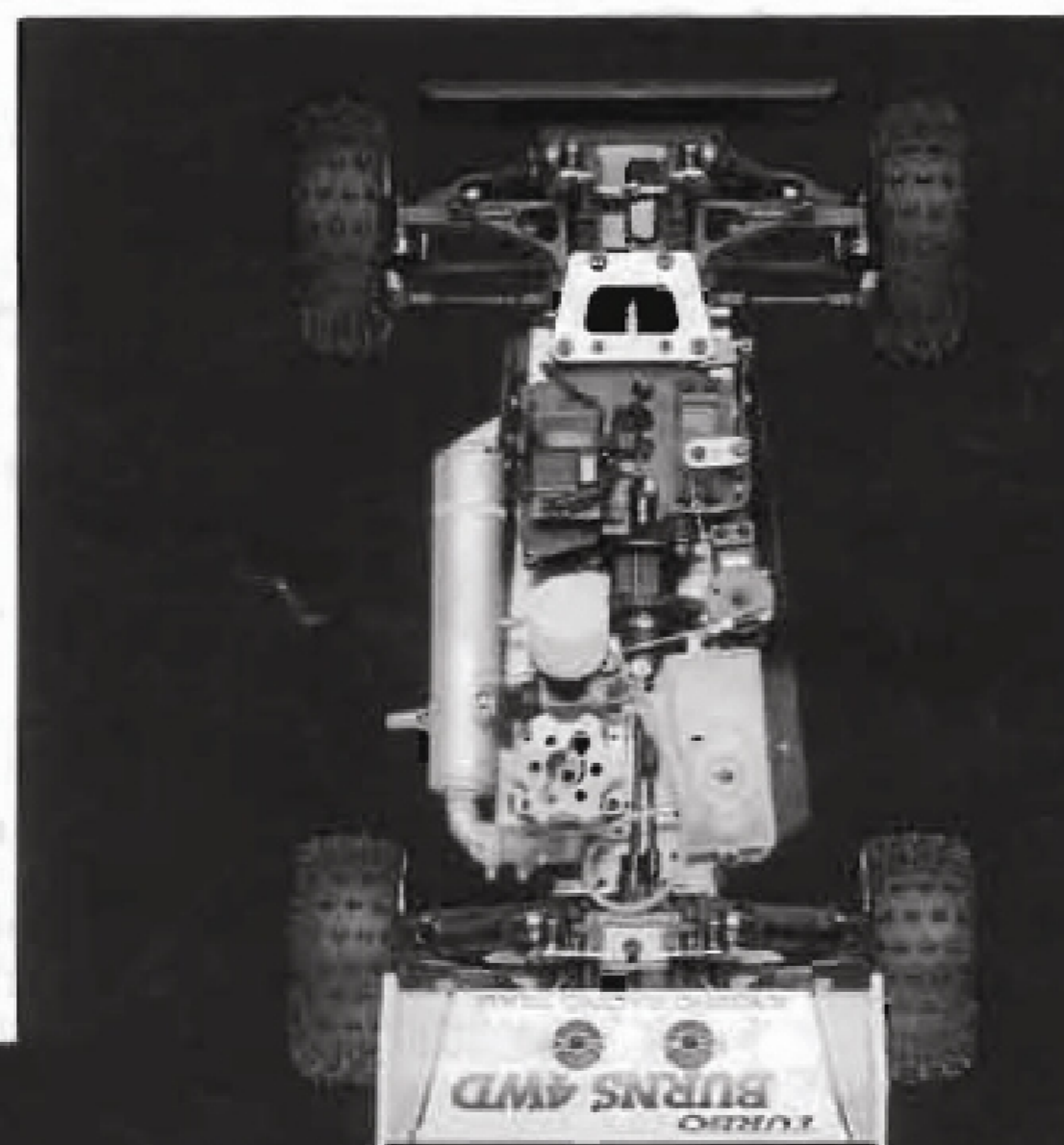
Three gear-type differentials such as this unit deliver tremendous power.



No faster buggy is available for 1/8 scale gas enthusiasts.



Longer suspension arms on Turbo Burns provide effective handling.



Durable 3mm flat-plate aluminum chassis provides ample protection for racing components.

- Replaces the original Burns as the most powerful 1/8 scale gas off-roader your customers can buy.
- Placed 2nd in the 1988 IFMAR World Championships in its very first race.
- Includes all of the high-performance features of the original Burns with several state-of-the-art upgrades including complete ball bearings, large volume shocks, rear anti-roll bar, and 3mm thick main chassis with flat head screws.
- Features new Lexan body with wing and adjustable wing mount, plus newly designed one-piece wheels, flip-top fuel tank, tuned pipe and header.
- A step up from the Burns DX. Meet the needs of anyone interested in 1/8 scale gas racing with one of these powerful Kyosho buggies.



MODEL DISTRIBUTORS COMPANY  
P.O. BOX 4021, CHAMPAIGN, IL 61824-4021