

USA-1 MONSTER TRUCK

CAR CRUSHER

RADIO CONTROLLED ELECTRIC POWERED
OFF-ROAD RECREATIONAL VEHICLE

- TRUE SCALE MODEL OF EVERETT W. JASMER'S "USA-1", THE MOST POWERFUL MONSTER TRUCK ON THE TRACK.
 - DESIGNED FOR SCALE PERFORMANCE WITH TWIN-POWER MOTORS.
 - FOUR-WHEEL STEERING FOR NIMBLE HANDLING DESPITE THE "MONSTER" SIZE AND POWER.
 - HUGE 165mm (6.5 inch) TIRES CARRY THE "USA-1" OVER HIGH OBSTACLES AND ROUGH TRACKS. HIGH-GRIP PATTERN FOR TOP TRACTION.
 - FOUR-WHEEL INDEPENDENT SUSPENSION WITH WISHBONE/PARALLEL ARM LINKAGE AND DUAL SHOCKS TO KEEP VEHICLE UNDER CONTROL ON ALL SURFACES.
 - MANY REALISTIC CHROME-FINISH PARTS AND DECORATIVE LOGO STICKERS FOR SCALE APPEARANCE.
- RADIO 2 CHANNELS (NOT INCLUDED)
BATTERY 7.2V-1200/1700mAh (NOT INCLUDED)

1:10 SCALE



KYOSHO®
THE FINEST RADIO CONTROL MODELS

KIT No. 3165

BEFORE ASSEMBLY

○ Read the instruction carefully.

You can assemble the kit more easily if you have grasped the general idea of steps and structure beforehand by reading it through to the end.


○ Check the parts in the kit.

Check to see if all the parts are correctly bagged as they are listed in the Bagged Parts List. Your thorough understanding of the assembly prior to starting will enable you to build the kit without any difficulty.

○ Check the components in the kit prior to your startings of the assembly.

Any claims for replacements or refunds for the model in the process of assembly will not be accepted without shortage or inferiority of the parts.

○ Learn on the marks described in the instruction.

 ... Place where grease should be applied.

(It will reduce friction to assure smooth movements.)

Steps where your particular attention is required.

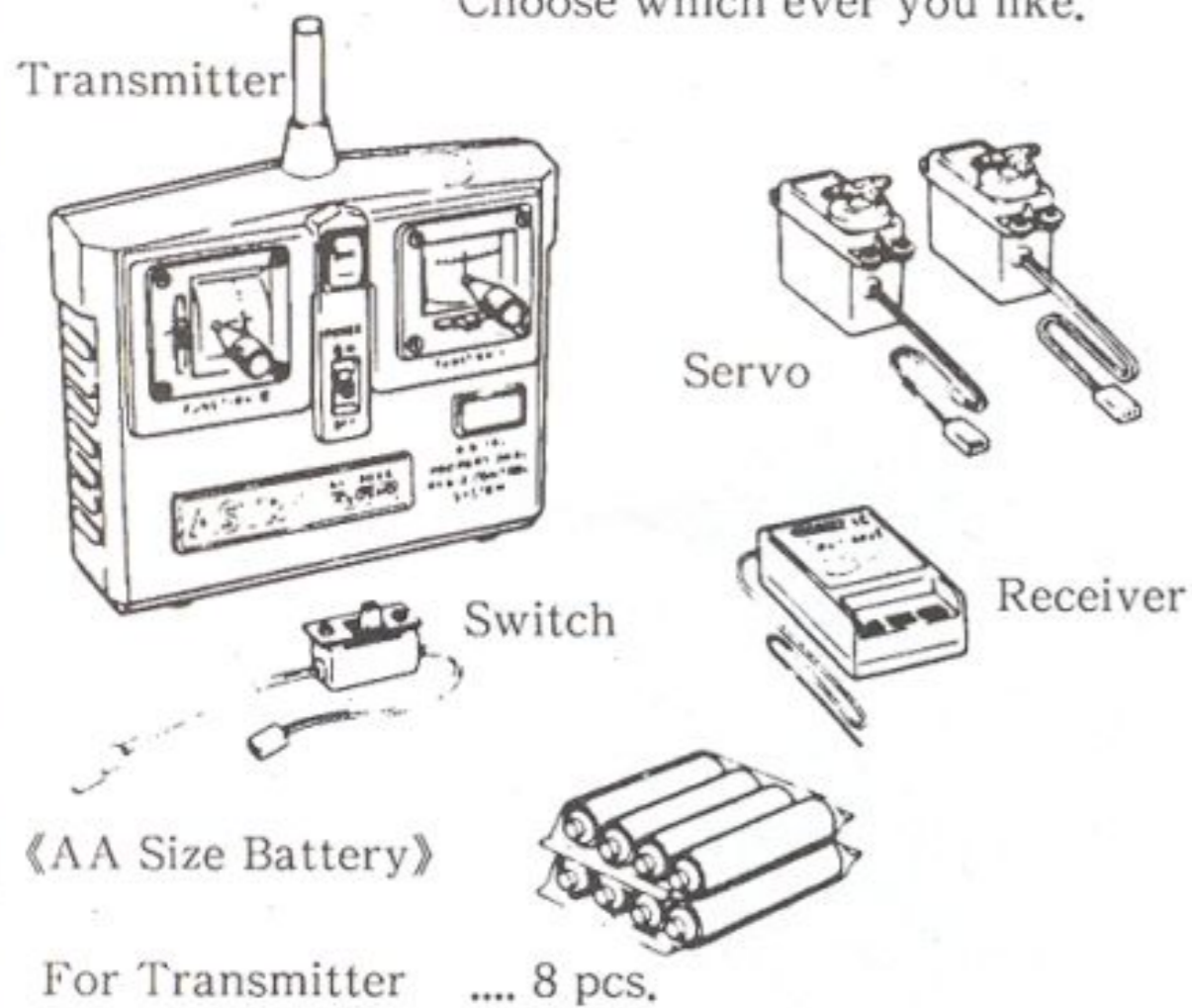
THINGS NEED BESIDES THE KIT

《2 Channel Radio System》



This model is designed for BEC system radio only. Use a radio which has a mark shown at left.

Two types of radio control set are on the market, the stick type and the steering wheel type. Choose which ever you like.



《Ni-Cad Battery》

This model is designed to use a rechargeable 7.2V Sprint Battery SCR and 7.2V Power Battery.

No.2310

7.2V Sprint Battery SCR



No.2306

7.2V Power Battery



《Charger for Ni-Cad Battery》

The Kyosho's Ni-Cad Battery is high performance. If it is charged correctly, it will operate for a considerable period.

Use one of the chargers listed below which suits your need.

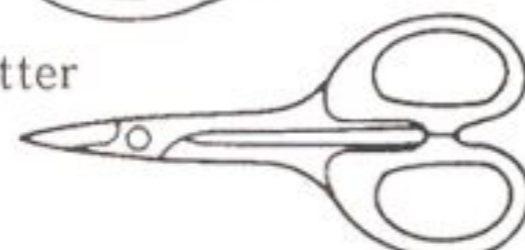
NO.	Name	Time	Rate	Features
2326	7.2V Power Charger	15 min.	70%	For beginners Built-in timer
1849	Multi Charger II	20 min.	100%	Timer, Ammeter built-in
2246	FET Auto Charger	20 min.	100%	Trickle charging, Automatic cut-off at peak of charge

《Tools Required》 A Hex key, Grease and Cross Wrench are in the kit.

Philips Screw Driver (L.M.S)



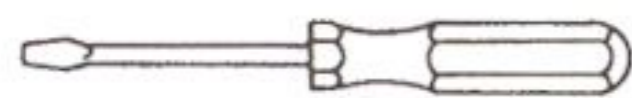
Round Cutter



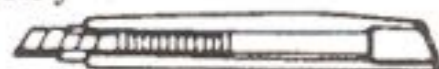
Sander



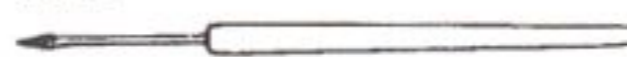
Screw Driver (M)



Sharp Hobby Knife



Awl



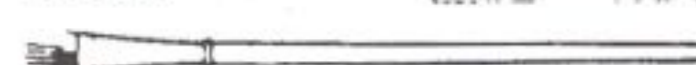
Instant Glue



Polyca Color Paint



Brush



Micron Line Tape



Oh, I see.

Instruction



What the back is this

Bagged Parts List



Check up parts with the list.



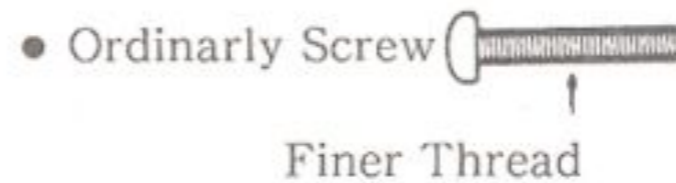
Direction

○ Be well aware of the different types of screws.

The difference between the TP Screw (short form of self-tapping screw) and the ordinary screw is



Some of them pointed tips.



○ Pick up the correct parts and screw.

Compare the shape and size of small parts, such as screws, nuts, and washers with the actual size drawing in each step.

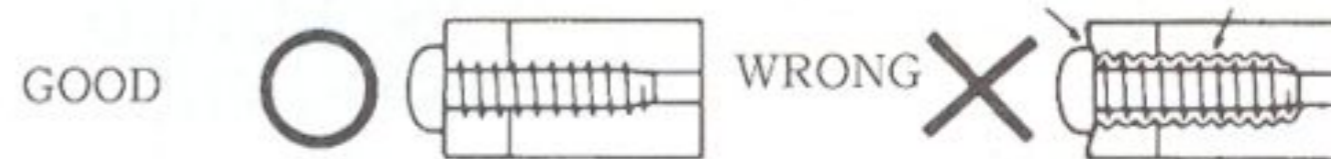
○ Be sure about the location and direction of parts to install.

Double-check the location and direction of parts with the illustration before installation. When necessary, assemble the parts themselves tentatively before proceeding to the next step.

○ Do not tighten the TP Screw too strong...

Do not use excessive force when tightening the TP Screws, or you may strip the thread in the plastic. It is recommended to stop tightening it when the thread part on the screw goes into the plastic part and you feel some resistance from the tightening.

Over tighten may strip the thread in the plastic.

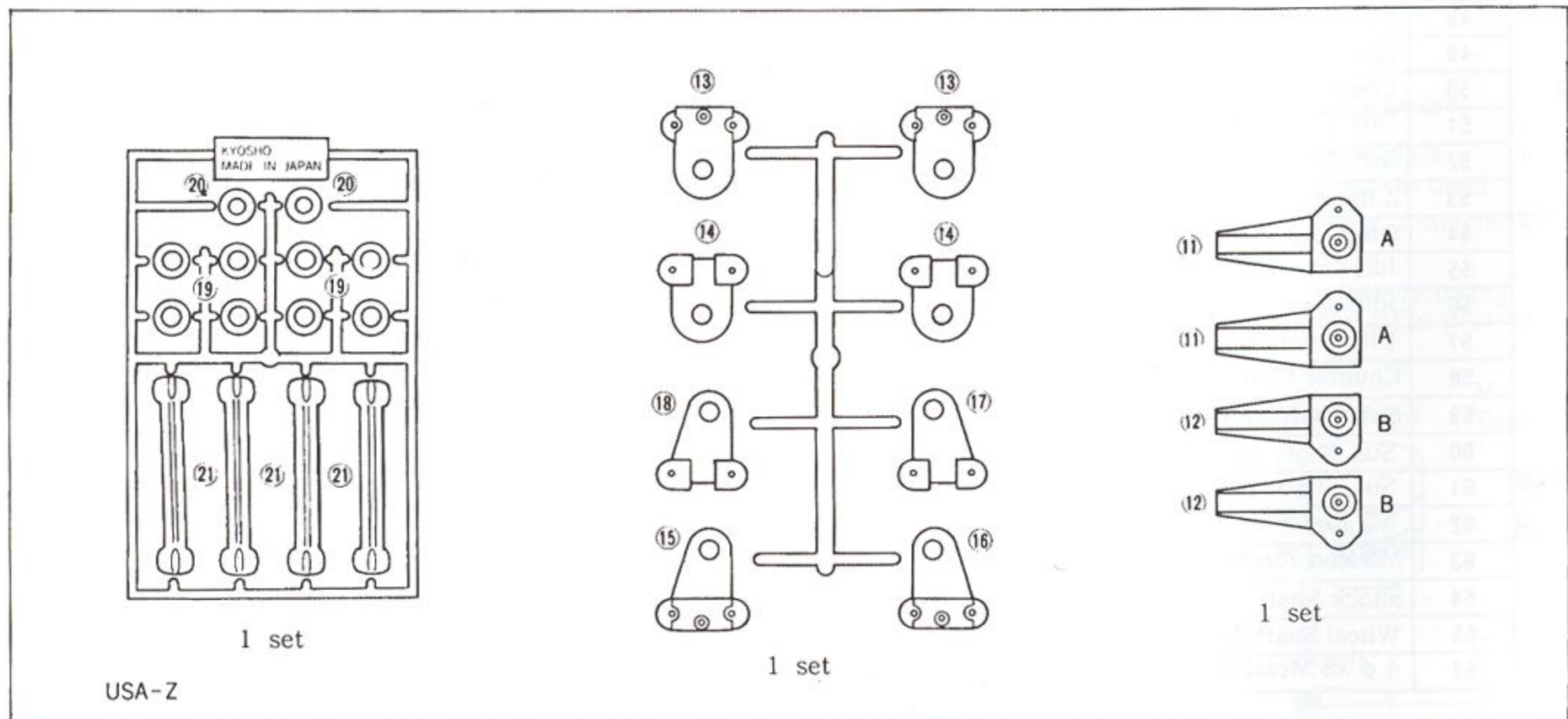
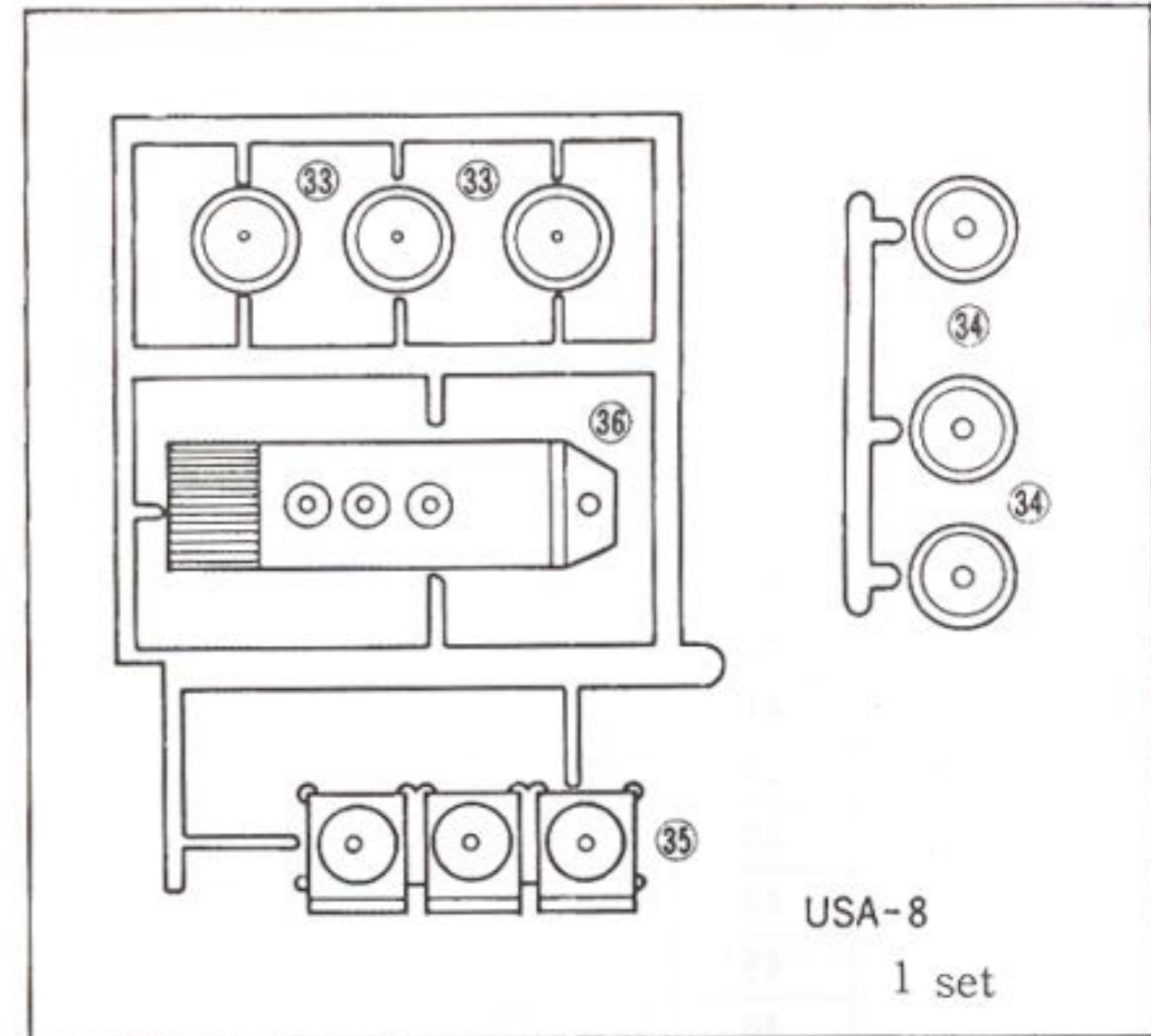
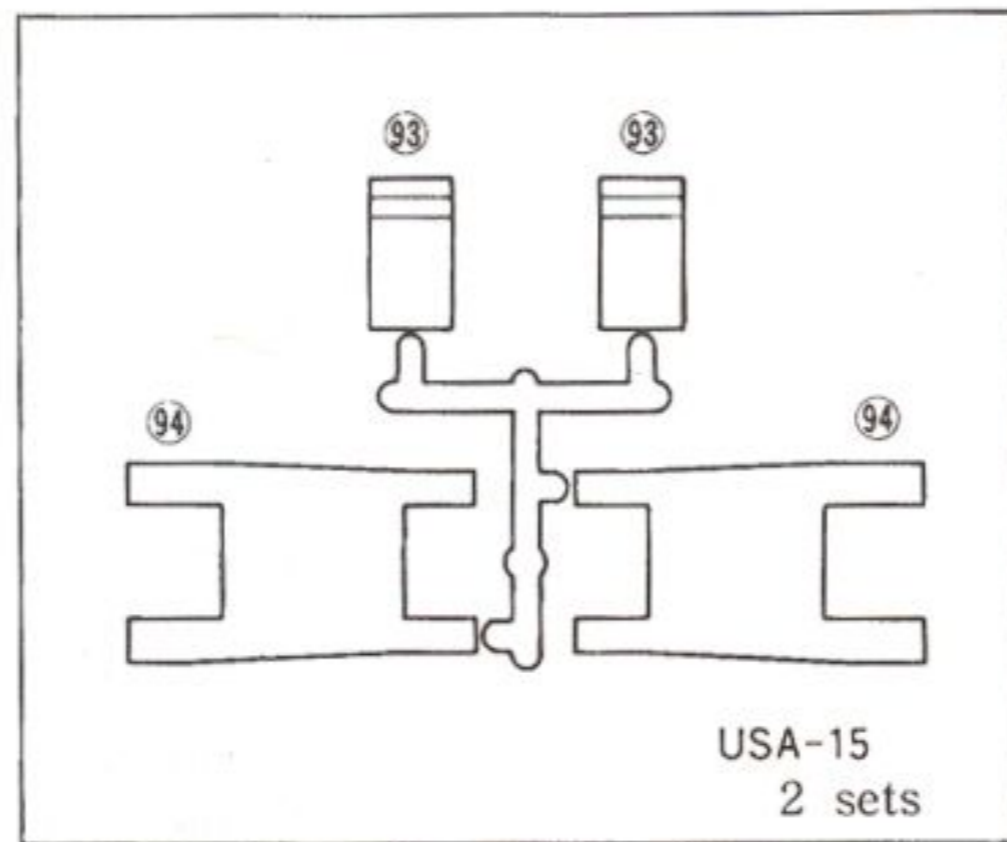
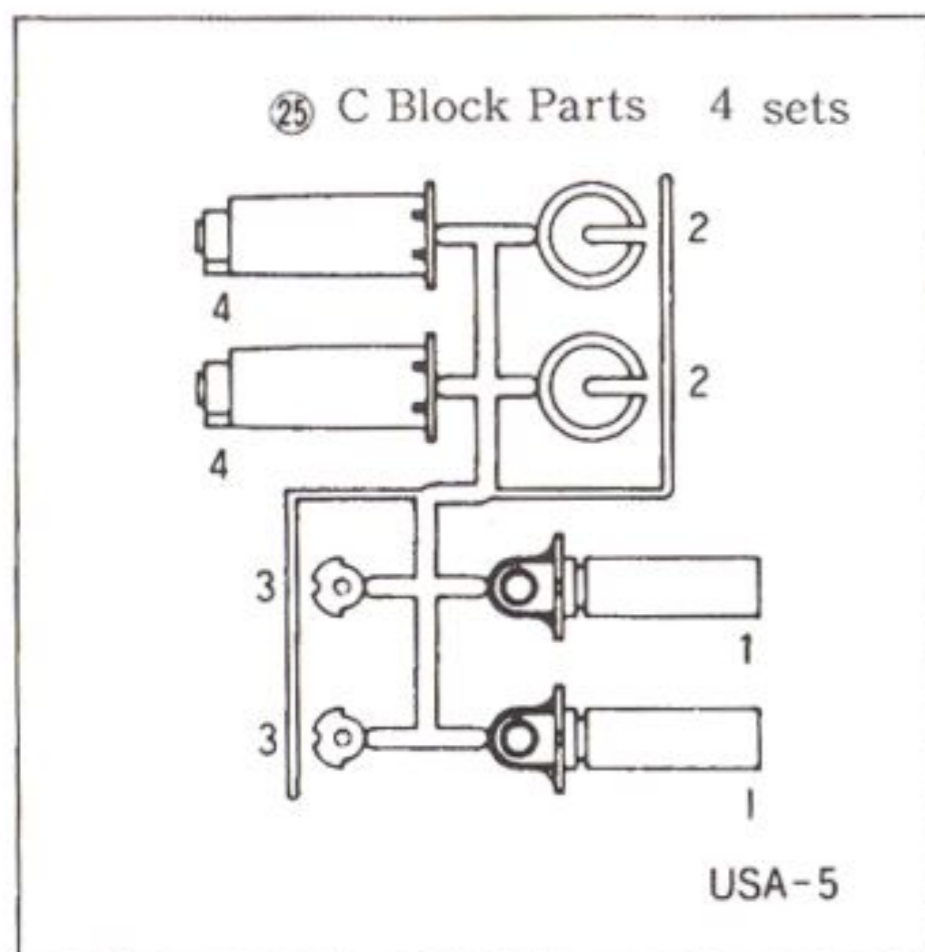
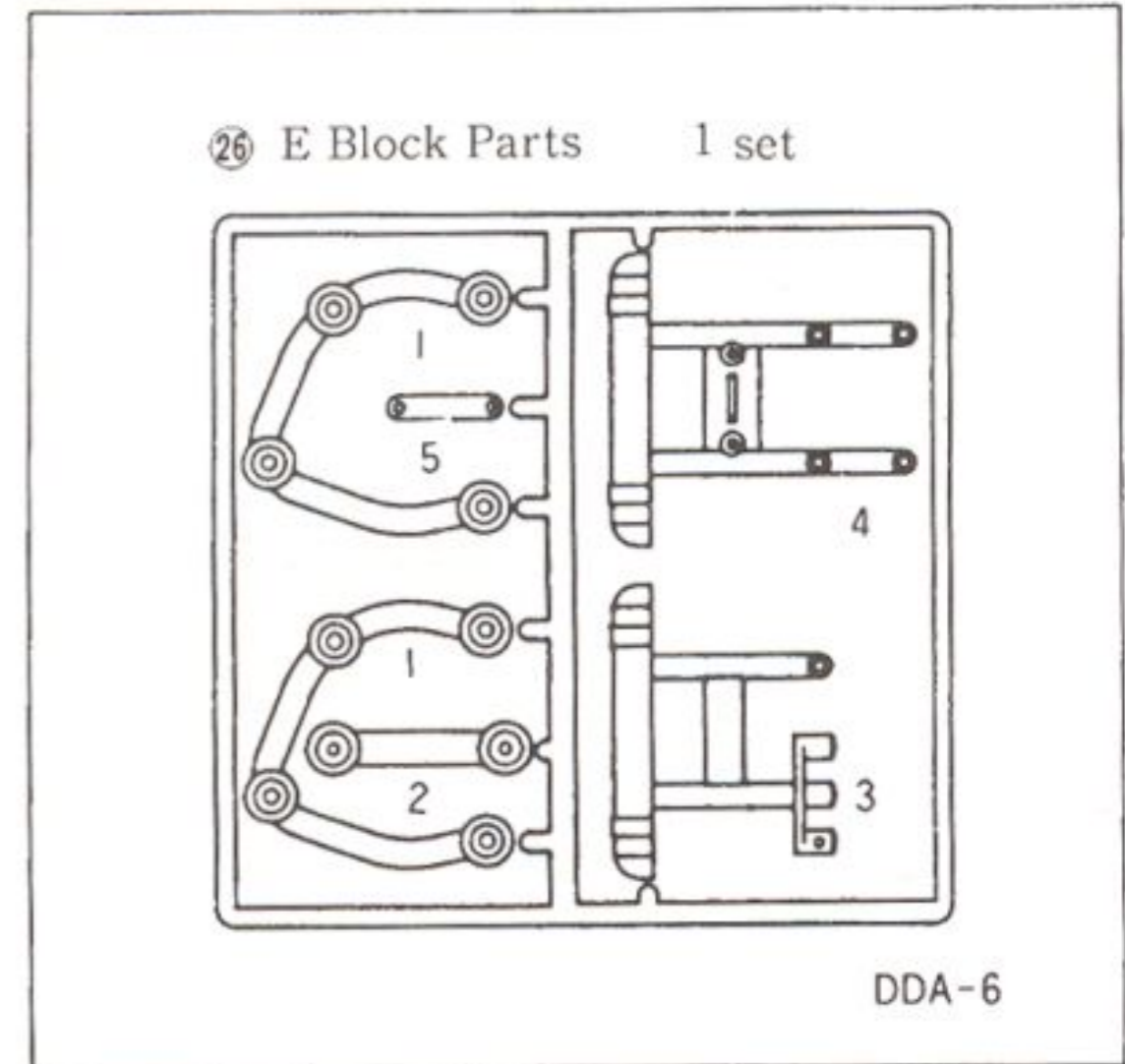
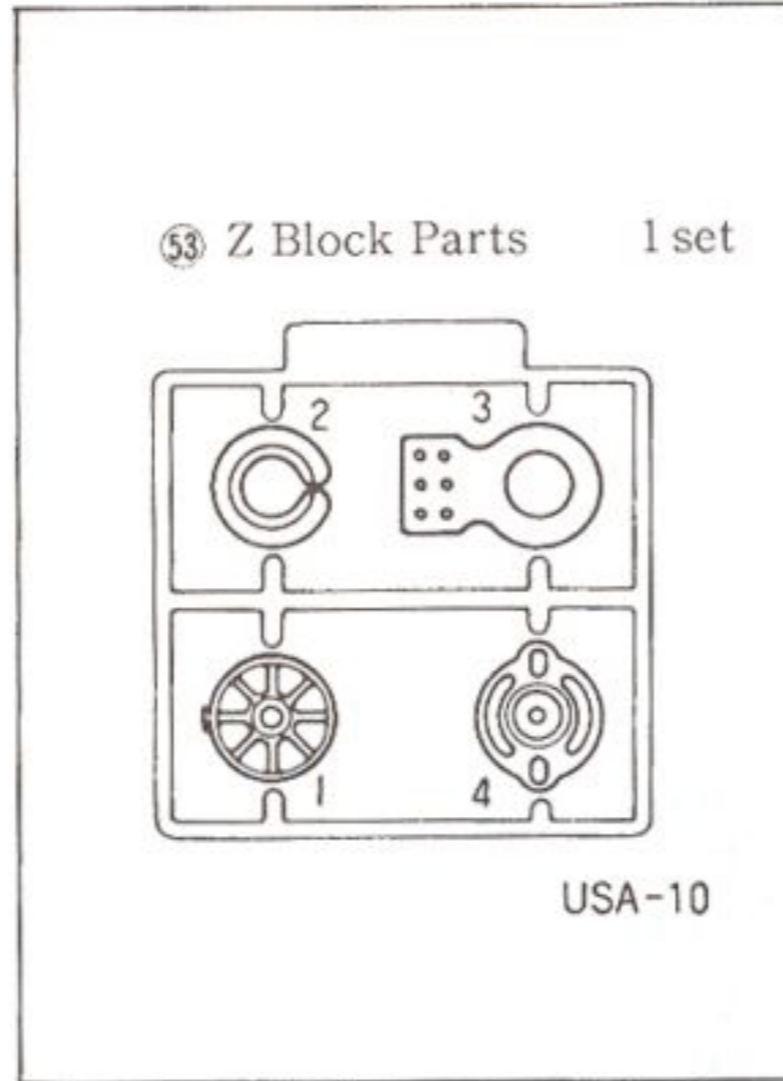
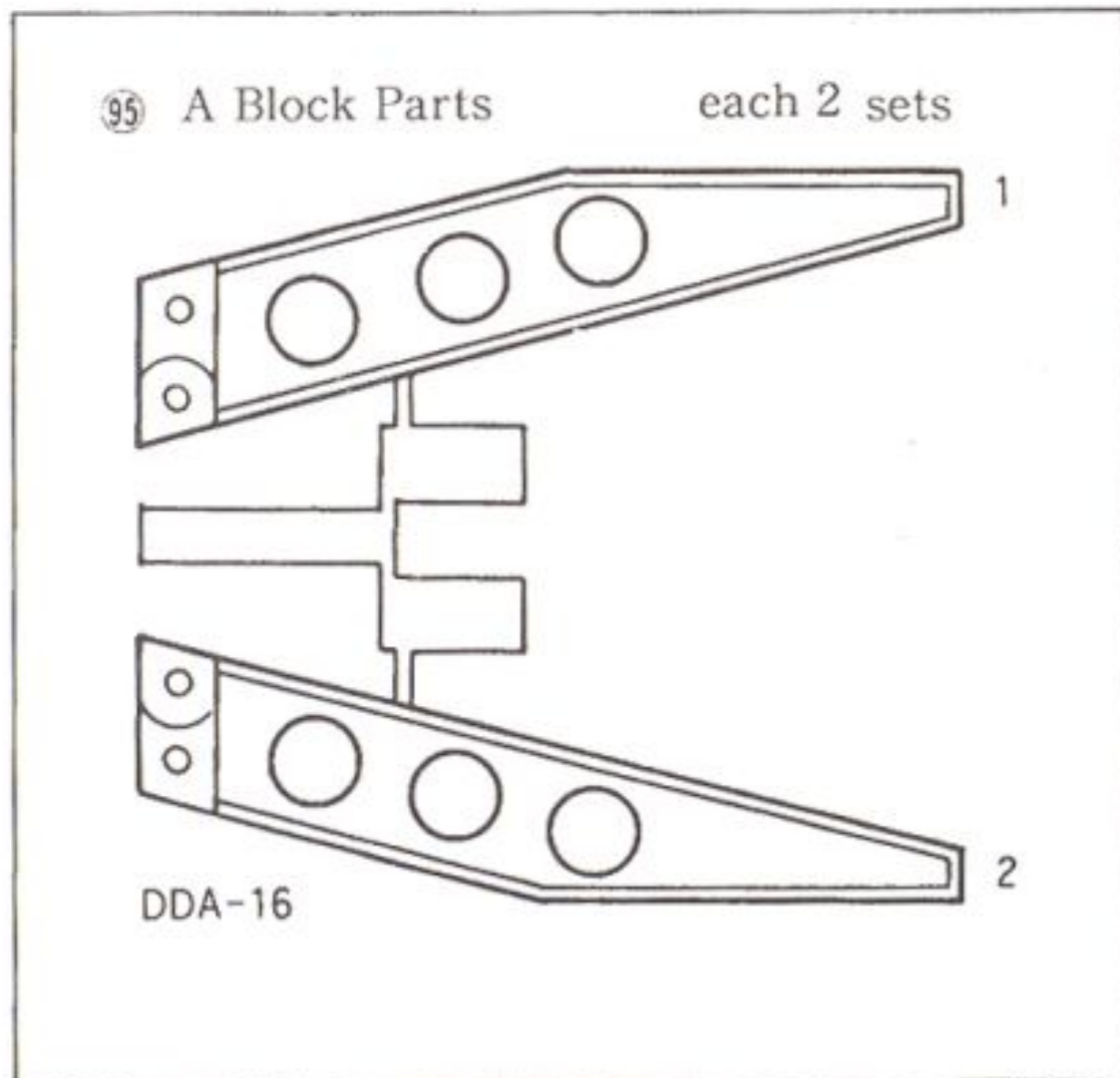
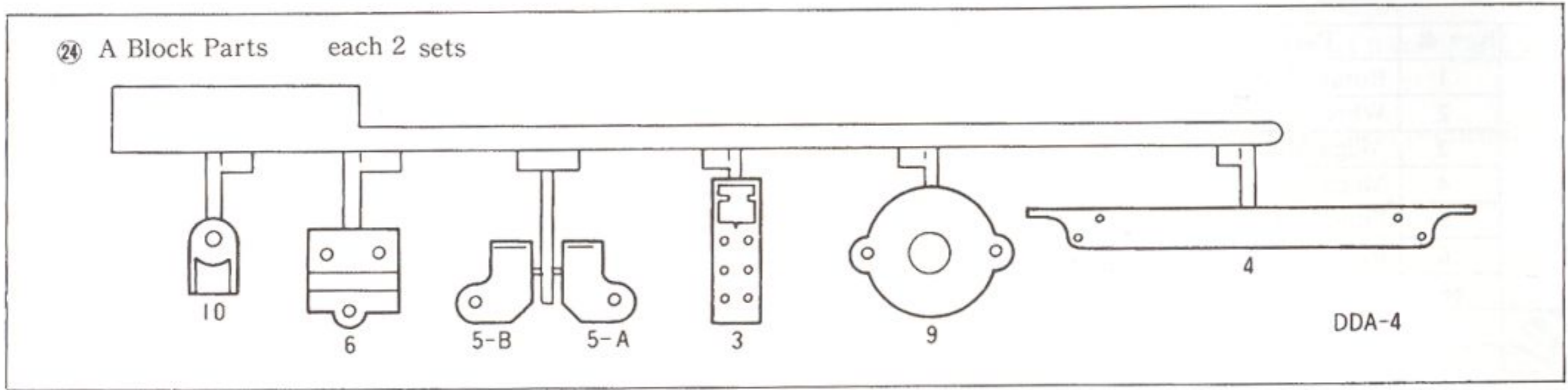


BAGGED PARTS LIST

Bag No.	Key #	Parts Name	Q'ty	Step
Blister	1	Rotary Speed Controller	1	9
	2	Wheel Shaft	4	3
	3	Mega Monster Truck	1	22
	4	Mega Monster Truck (R)	1	22
	5	Pinion Gear (11T)	2	22
	6	Resistor	1	26
	66	Shock Tower	4	19
DDA-1	9	Gear Box (A)	2	1
	10	Gear Box (B)	2	2
USA-2	11	Knuckle Arm (A)	2	3
	12	Knuckle Arm (B)	2	3
	13	Rear Hub Carrier (Upper)	2	4
	14	Rear Hub Carrier (Lower)	2	4
	15	Front Hub R (Upper)	1	5
	16	Front Hub L (Upper)	1	5
	17	Front Hub R (Lower)	1	5
	18	Front Hub L (Lower)	1	5
	19	Knuckle Arm Washer	8	4 5
	20	Counter Gear Bushing	2	2
	21	Half Shaft	4	4 5
DDA-3	22	Main Frame	1	6
	23	Cover	1	23
USA-4	24	A Block Parts	2	11 12 14 18 22
USA-5	25	C Block Parts (Black)	4	16
DDA-6	26	E Block Parts	1	18 2
DDA-7	27	Front Guard (A)	1	17
	28	Front Guard (B)	1	17
	29	Front Guard (C)	1	17
	30	Front Guard Bar	1	17
	31	Front Body Mount	1	24
	32	Rear Body Mount	1	25
USA-8	33	Air Cleaner Cover	3	24
	34	Air Cleaner	3	24
	35	Carbretor	1	24
	36	Carbretor Base	1	24
USA-9	37	Rear Bumper	1	30
	38	Front Bumper	1	30
	39	Front Gril	1	30
	40	Front Gril Stopper	2	30
	41	Head Light Lens (R)	1	30
	42	Head Light Lens (L)	1	30
	43	Position Light Lens	2	30
	44	Door Mirror (R)	1	30
	45	Door Mirror (L)	1	30
	46	Door Mirror Stopper	2	30
USA-10	47	Diff. Joint	4	1 2
	48	Diff. Side Gear	4	1 2
	49	Idle Gear	2	1
	50	Counter Gear	2	2
	51	Diff. Carrier	2	2
	52	Diff. Bevel Gear	6	2
	53	Z Block Parts	1	11
USA-11	54	5.8 ϕ Ball Link	20	7 15 16
	55	Idle Gear Shaft	2	1
	56	Idle Gear Shaft Pin	2	1
	57	Diff. Joint Shaft	2	1
	58	Counter Gear Shaft	2	2
	59	Sus. Shaft (A)	4	8
	60	Sus. Shaft (B)	4	8
	61	Sus. Shaft (C)	4	8
	62	M3 Rod 43mm (Tie Rod)	4	15
	63	M3 Rod 25mm (Upper Sus.)	4	7
	64	Shock Shaft	8	16
	65	Wheel Shaft Pin	4	27
	67	4 ϕ x8 Metal Bushing	8	1 2

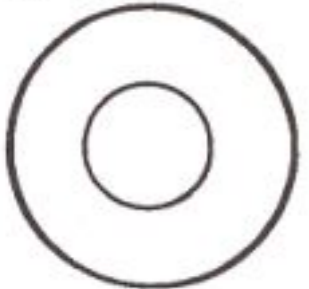
Bag No.	Key #	Parts Name	Q'ty	Step	
USA-11	68	5 ϕ x10 Metal Bushing	8	3	
	69	8 ϕ x12 Metal Bushing	4	1 2	
	8	5.8 ϕ Pillow Ball	20	3 4 5 7 12	
USA-12	70	4.5 ϕ Ball	1	10	
	71	4.5 ϕ Ball Link	1	10	
	72	Speed Control Rod	1	10	
	73	Double Sided Tape	1	10 13	
	74	Rubber Pipe	4	16 20	
	75	Motor Cord	1	22	
	76	Resistor Cover	1	26	
	77	Resistor Base	1	26	
	78	Wheel Hub	4	27	
	79	Grease	2		
	80	Torque Rod	1	14	
	81	Vinyl Tie Wrap	1	23	
	USA-13	82	Battery Hatch	1	21
		83	Window	1	23
84		Motor Cover	2	22	
7		Shock Spring	8	16	
USA-14	85	Roll Bar (F)	1	29	
	86	Roll Bar (R)	1	29	
	87	Roll Bar Back Stay (R)	1	29	
	88	Roll Bar Back Stay (L)	1	29	
	89	Fog Light Cover	5	29	
	90	Fog Light	1	29	
	91	Antenna Holder	1	26	
USA-15	92	Servo Mount	1	10	
	93	Upper Sus. Arm	4	7	
DDA-16	94	Lower Sus. Arm	4	8	
	95	A Block Parts (A-1.2)	2	6	
Others	96	Tire	4	27	
	97	Wheel	4	27	
	98	Body	1	28	
Others		Instruction Manual	1		
	99	Antenna Pipe	1	26	
	100	Decal	1	14 22 31	
	101	Mirror Seal	1	31	
USA-17	102	Grommet	2	11 13	
	103	5 ϕ Lock Ring	6	29	
	104	Body Pin	5	21 33	
	105	Hook Pin	4	33	
	106	E Ring (E4)	8	8	
		TP RH Screw M2x6	18		
		" M2x10	1		
		" M2.6x8	10		
		" M3x8	49		
		" M3x12	52		
		" M3x16	16		
		RH Screw M2x10	2		
		" M3x8	5		
		" M3x12	12		
		" M3x25	8		
		" M3x28	4		
		" M3x60	1		
		Set Screw M3x3	2		
		Nut M2	1		
		" M3	11		
		Flanged Nut M3	14		
		Nylon Nut M3	9		
	" M4	4			
	Washer M3	20			
	" M5	4			
	" M8	4			
	Cross Wrench	1			
	Hex Key (1.5mm)	1			

LAYOUT DRAWING OF PLASTIC PARTS

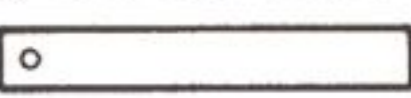


1 ASSEMBLY OF GEAR BOX (1)


M8 Washer2



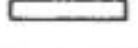
55 Idle Gear Shaft2





57 Diff. Joint Shaft2



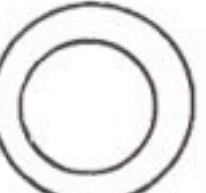

56 Idle Gear Shaft Pin2



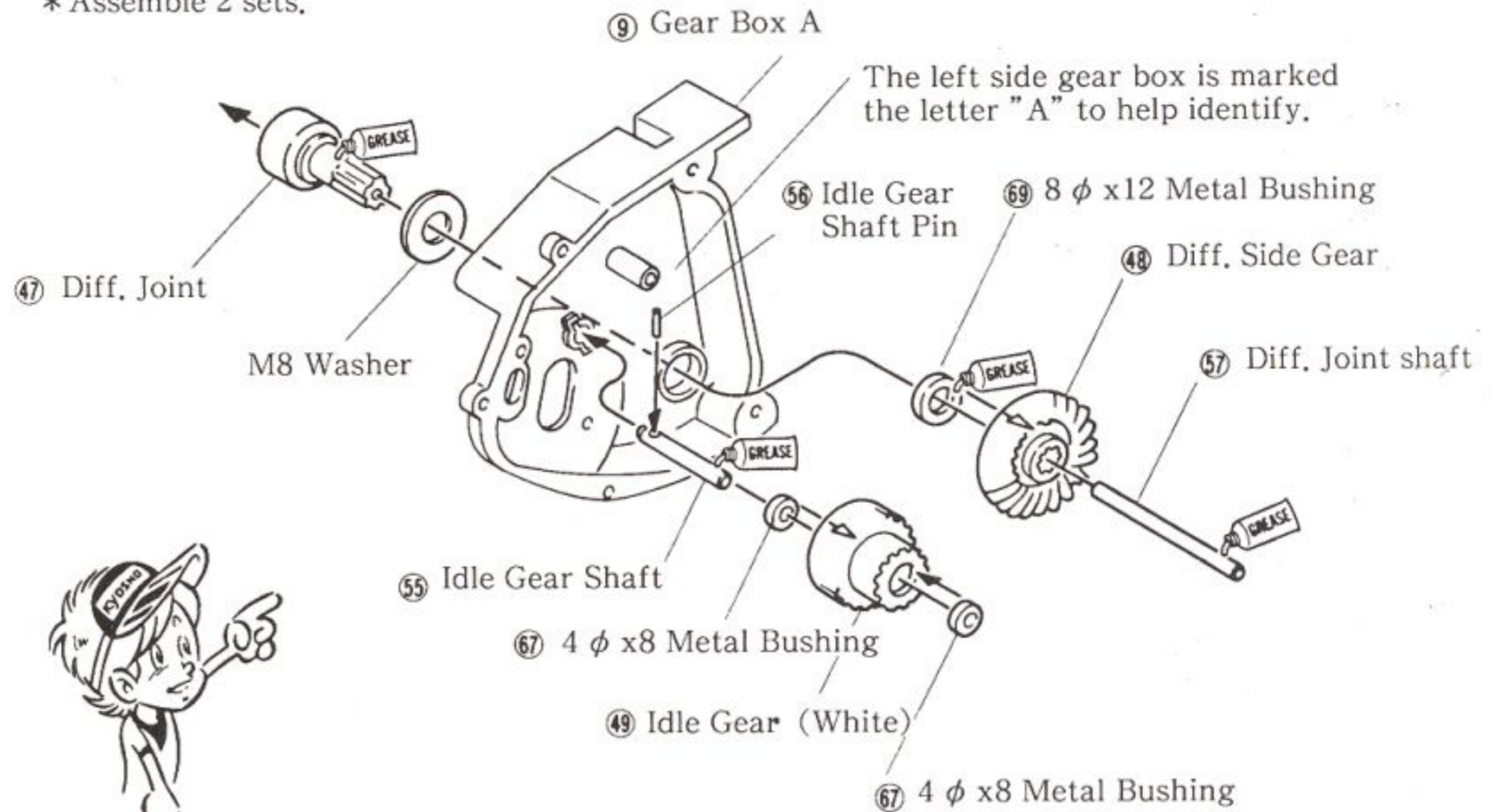
67 4 φ x8 Metal Bushing.....4

69 8 φ x12 Metal Bushing.....2

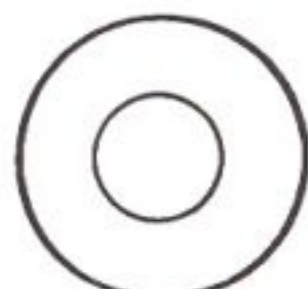
* Assemble 2 sets.



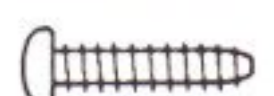
It is very important to thoroughly lubricate the gear & gear shafts during assembly. Use grease liberally.

2 ASSEMBLY OF GEAR BOX (2)


M8 Washer2





M3x12 TP Screw8





58 Counter Gear Shaft.....2



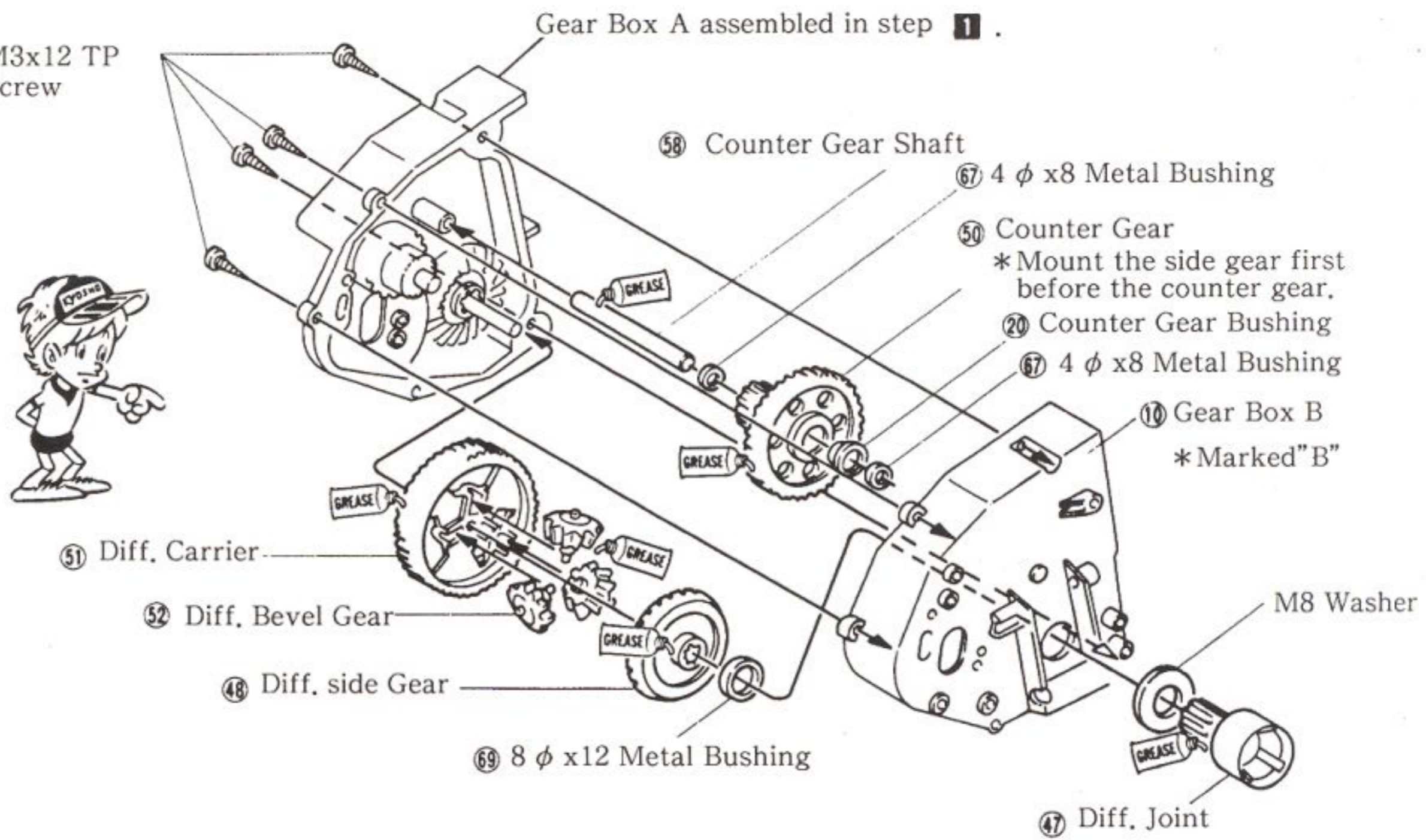
67 4 φ x8 Metal Bushing.....4

69 8 φ x12 Metal Bushing.....2





M3x12 TP Screw




3 ASSEMBLY OF KNUCKLE ARM

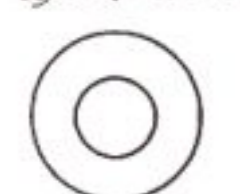

M5 Washer4



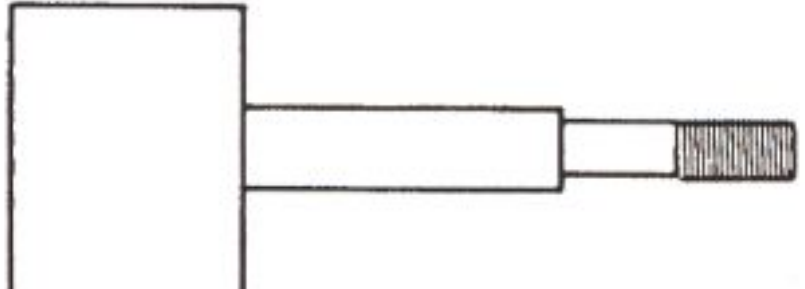
8 5.8 φ Pillow Ball4





68 5 φ x10 Metal Bushing.....8

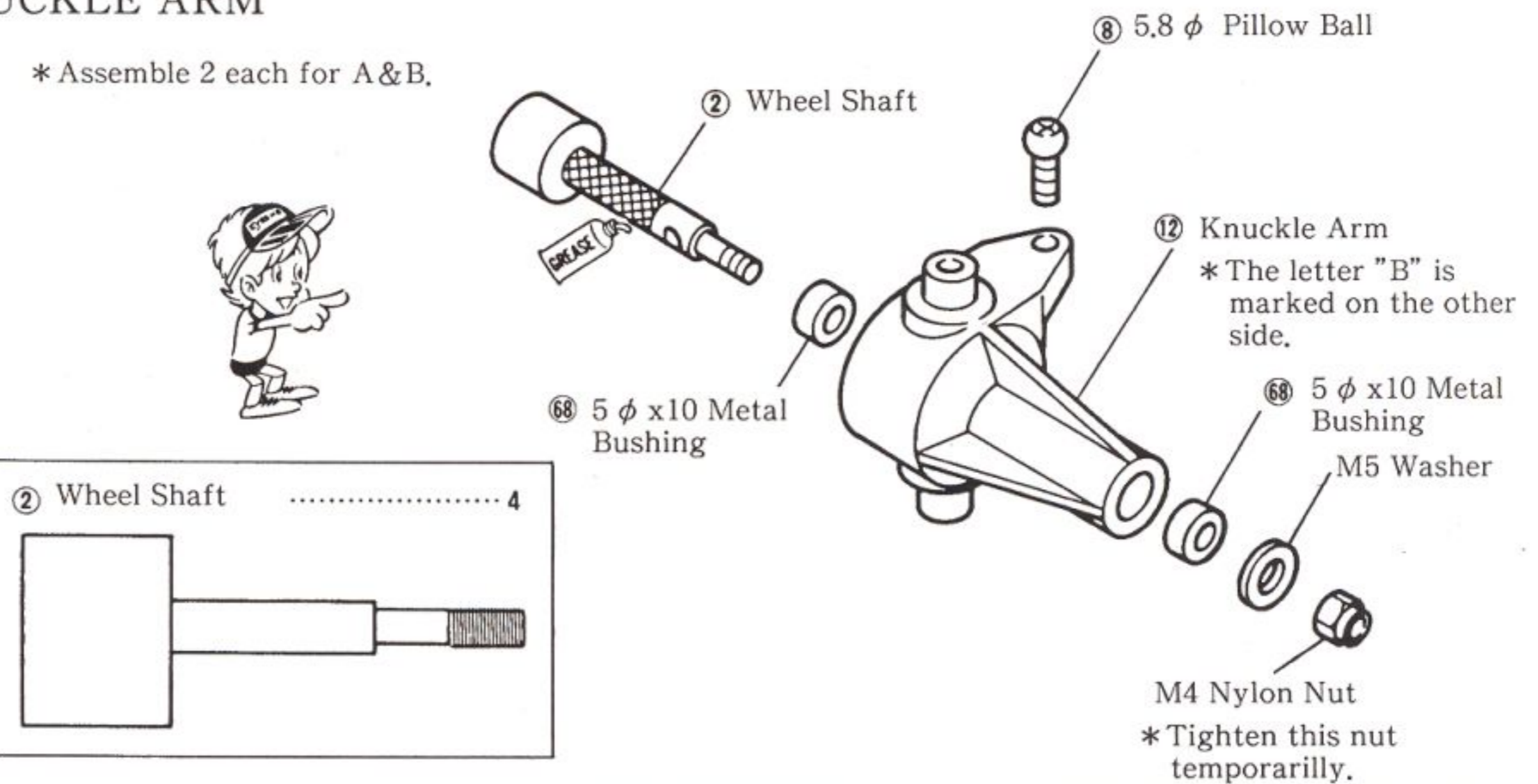
2 Wheel Shaft4



M4 Nylon Nut4

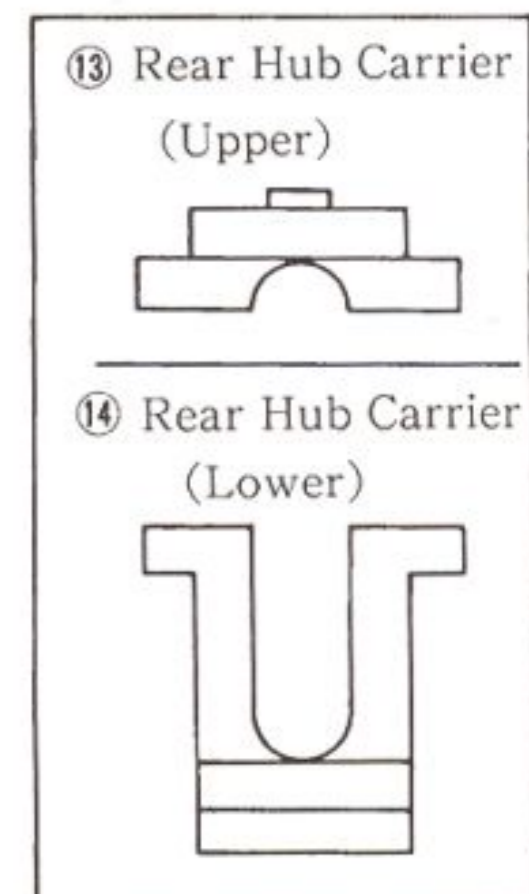
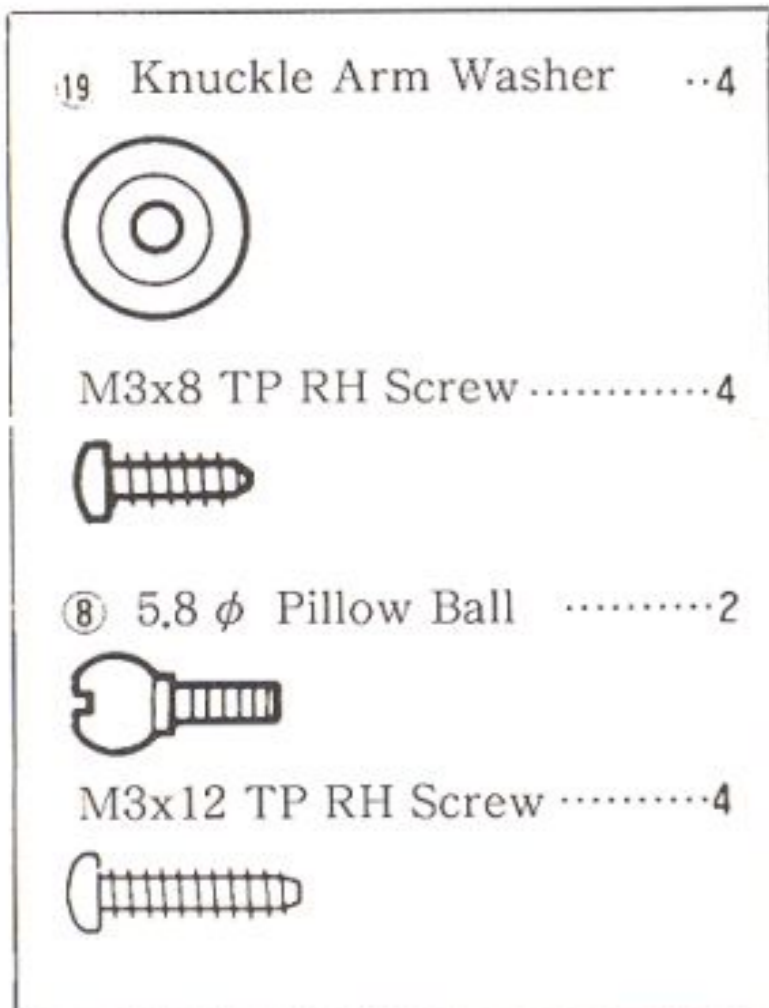
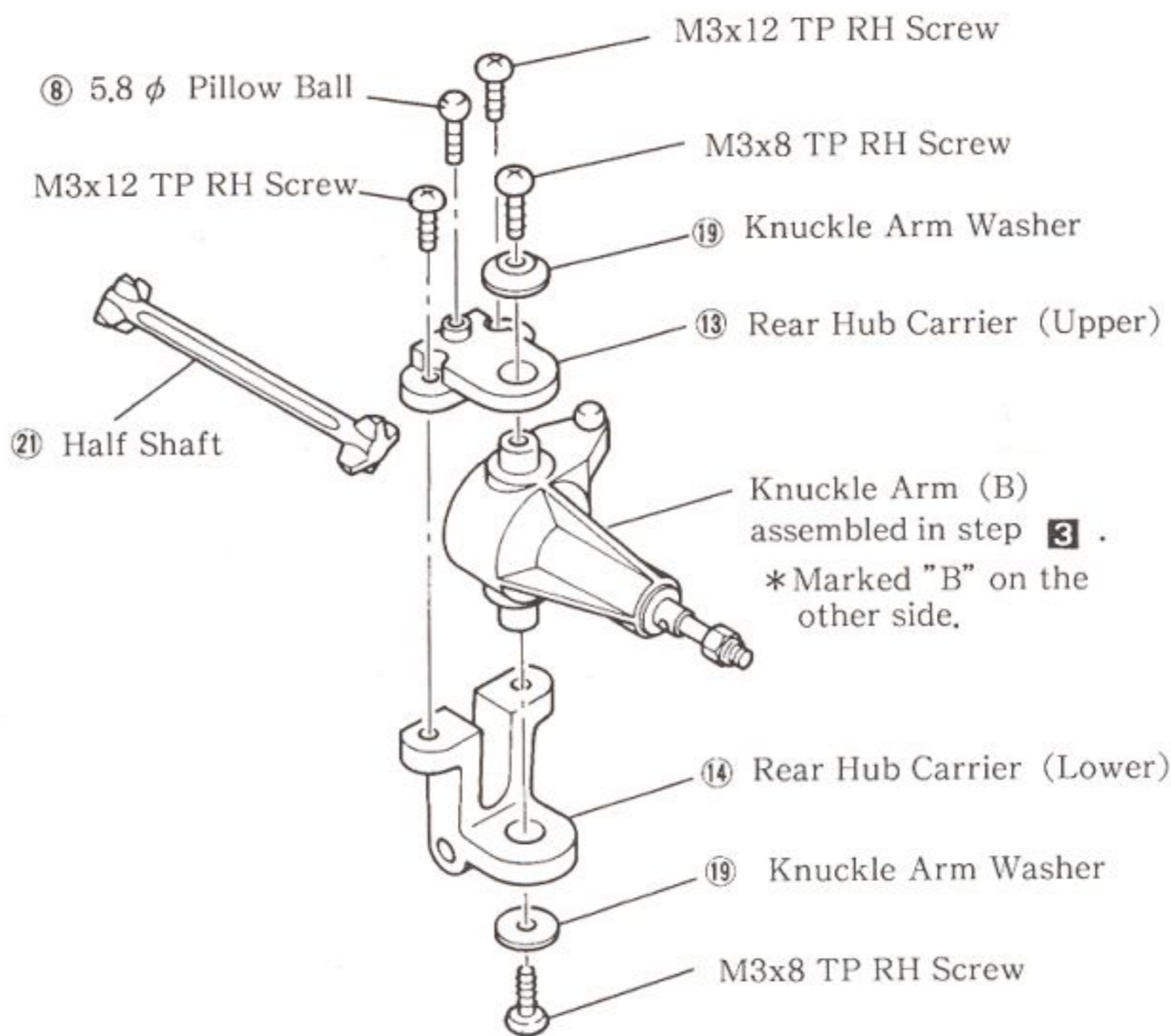
* Assemble 2 each for A&B.



4 ASSEMBLY OF REAR HUB CARRIER

* Assemble 1 set each for A&B.

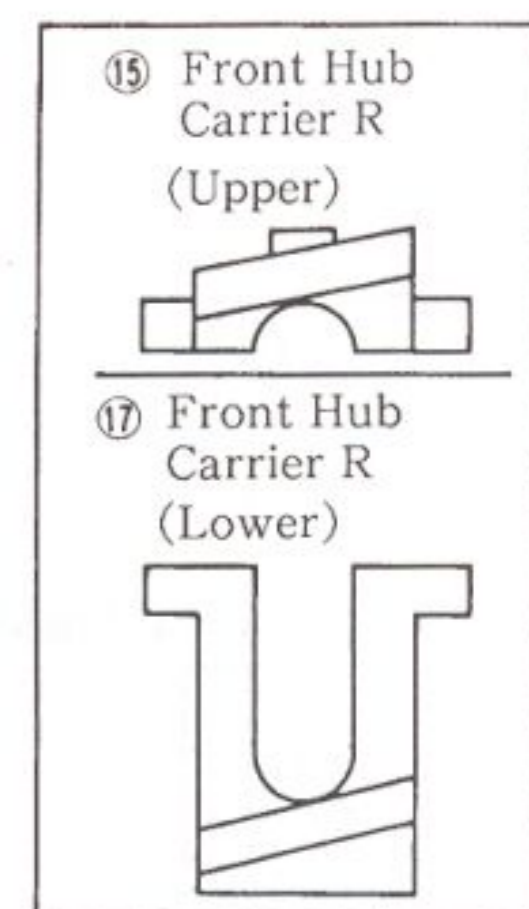
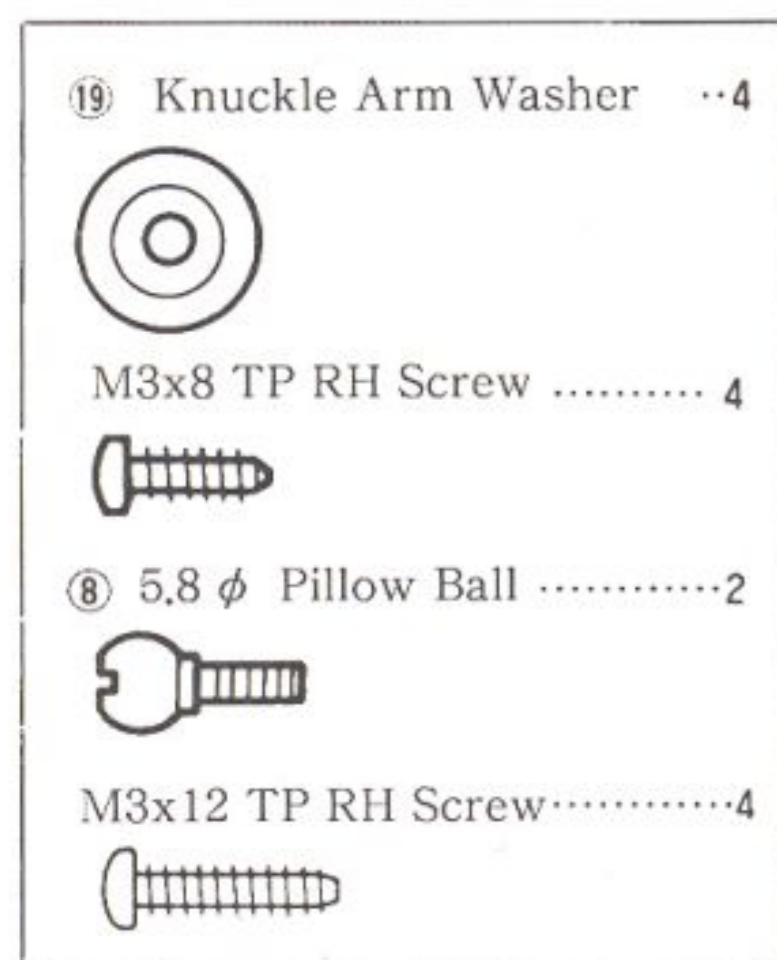
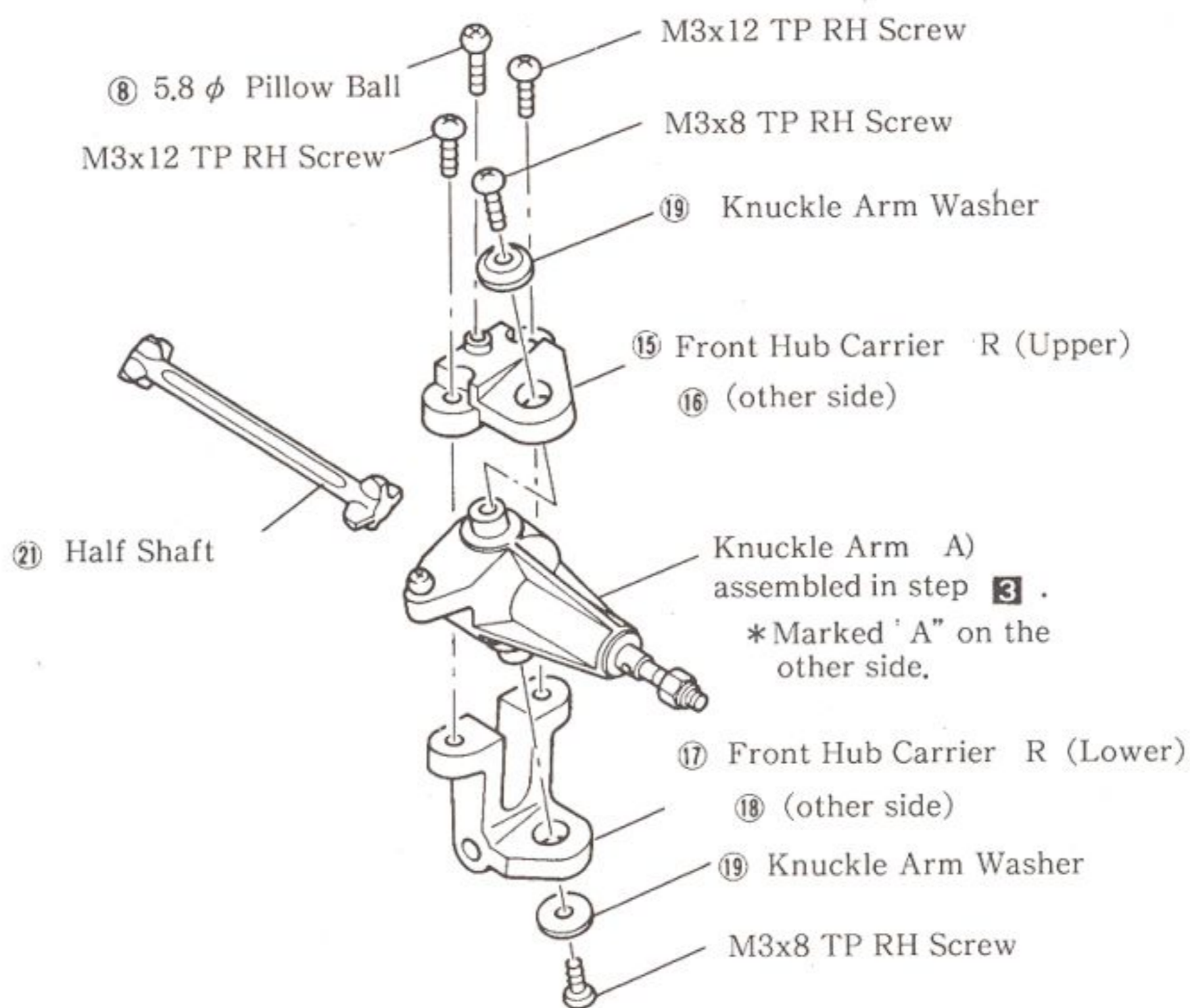
Tighten screws so the knuckle arm can move smoothly.



5 ASSEMBLY OF FRONT HUB CARRIER

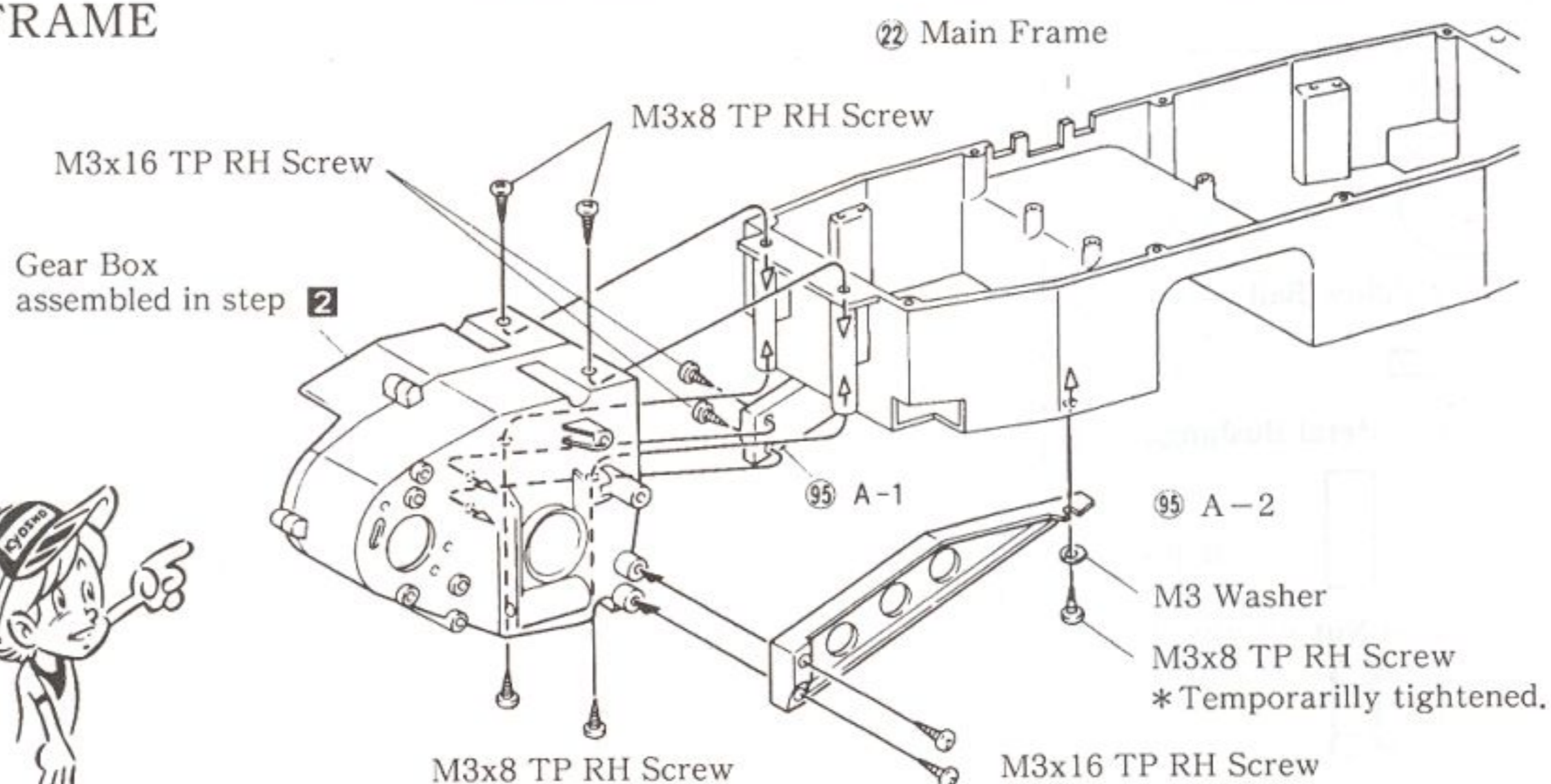
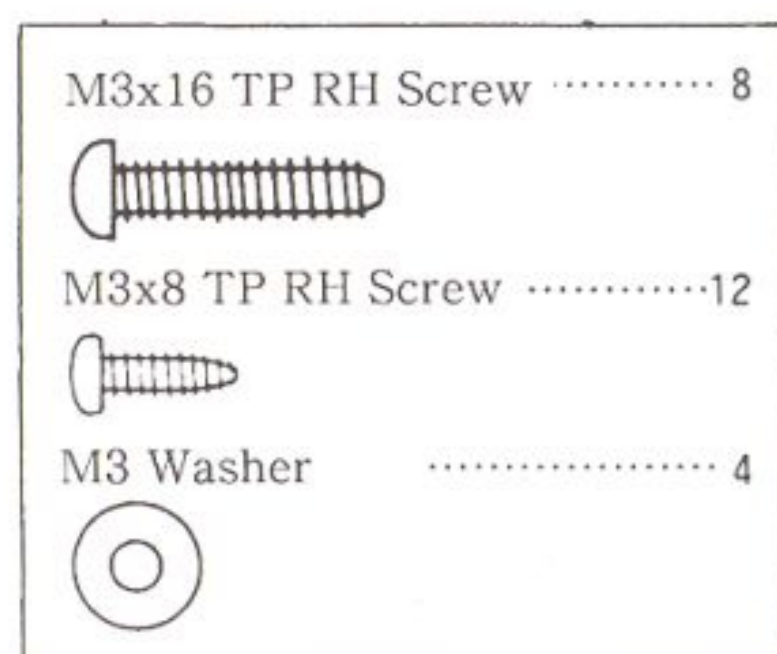
* Assemble 1 set each for A&B.

Tighten screws so the knuckle arm can move smoothly.



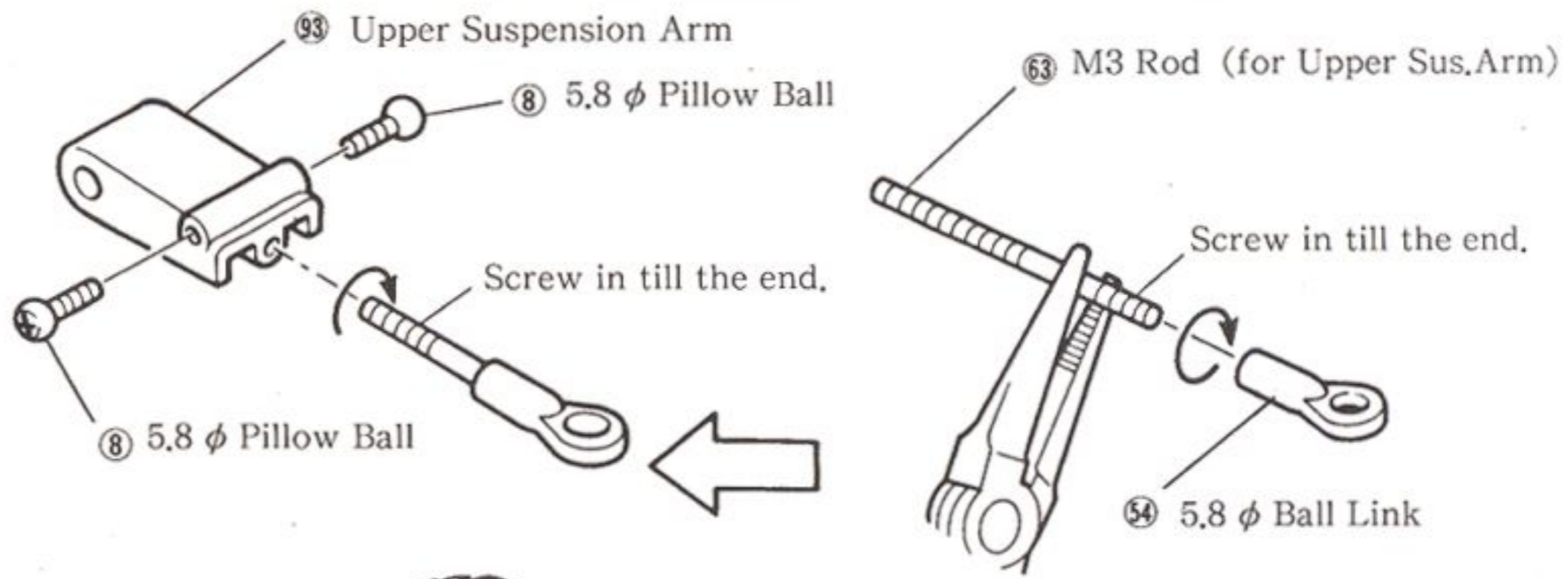
6 ASSEMBLY OF MAIN FRAME

* Install Front & Rear Gear Box.



7 ASSEMBLY OF UPPER SUSPENSION ARM

* Assemble 4 sets.



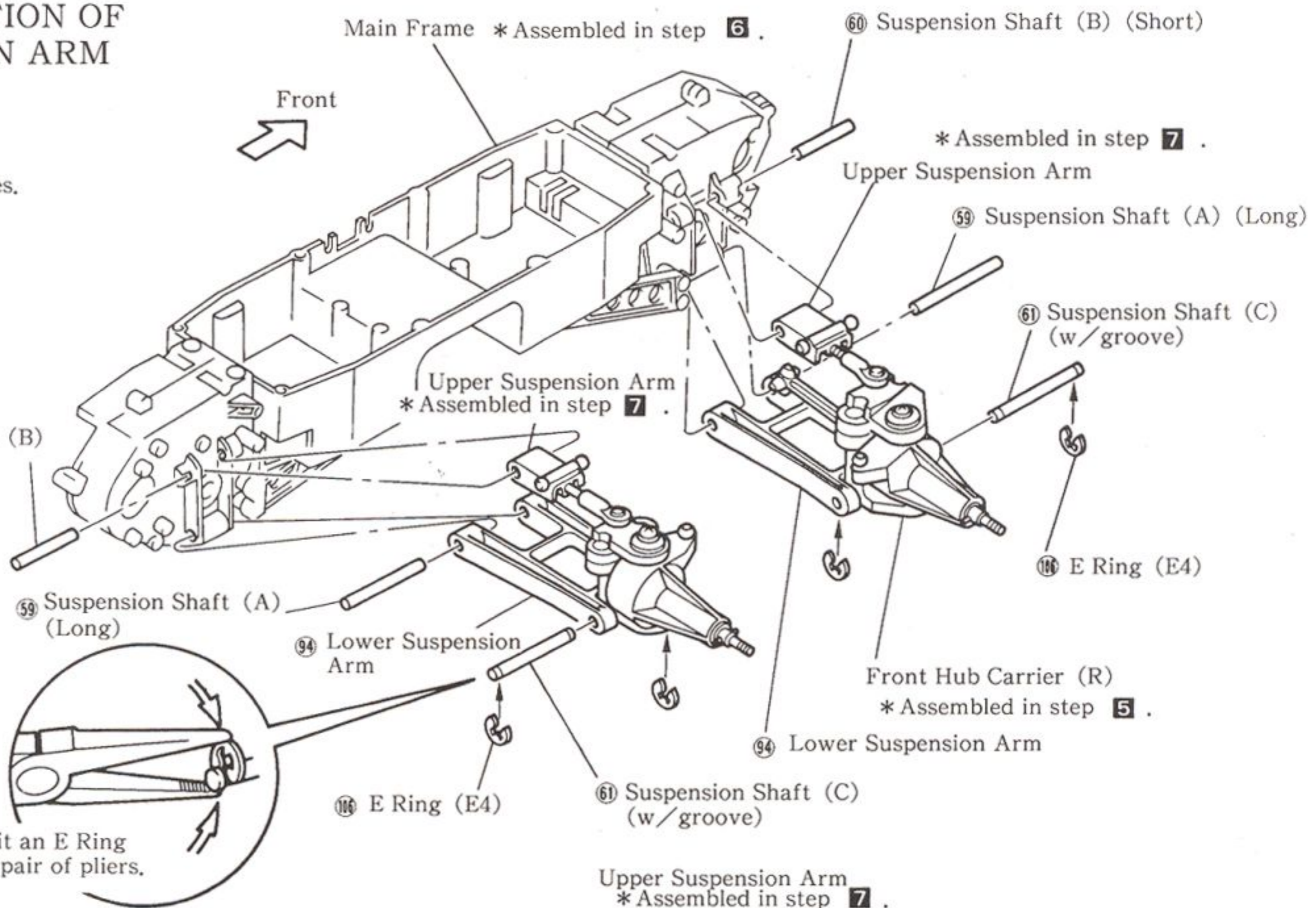
- ⑧ 5.8 φ Pillow Ball 8
- ⑥③ M3 Rod (for Upper Sus.Arm) 4
- ⑤④ 5.8 φ Ball Link 4



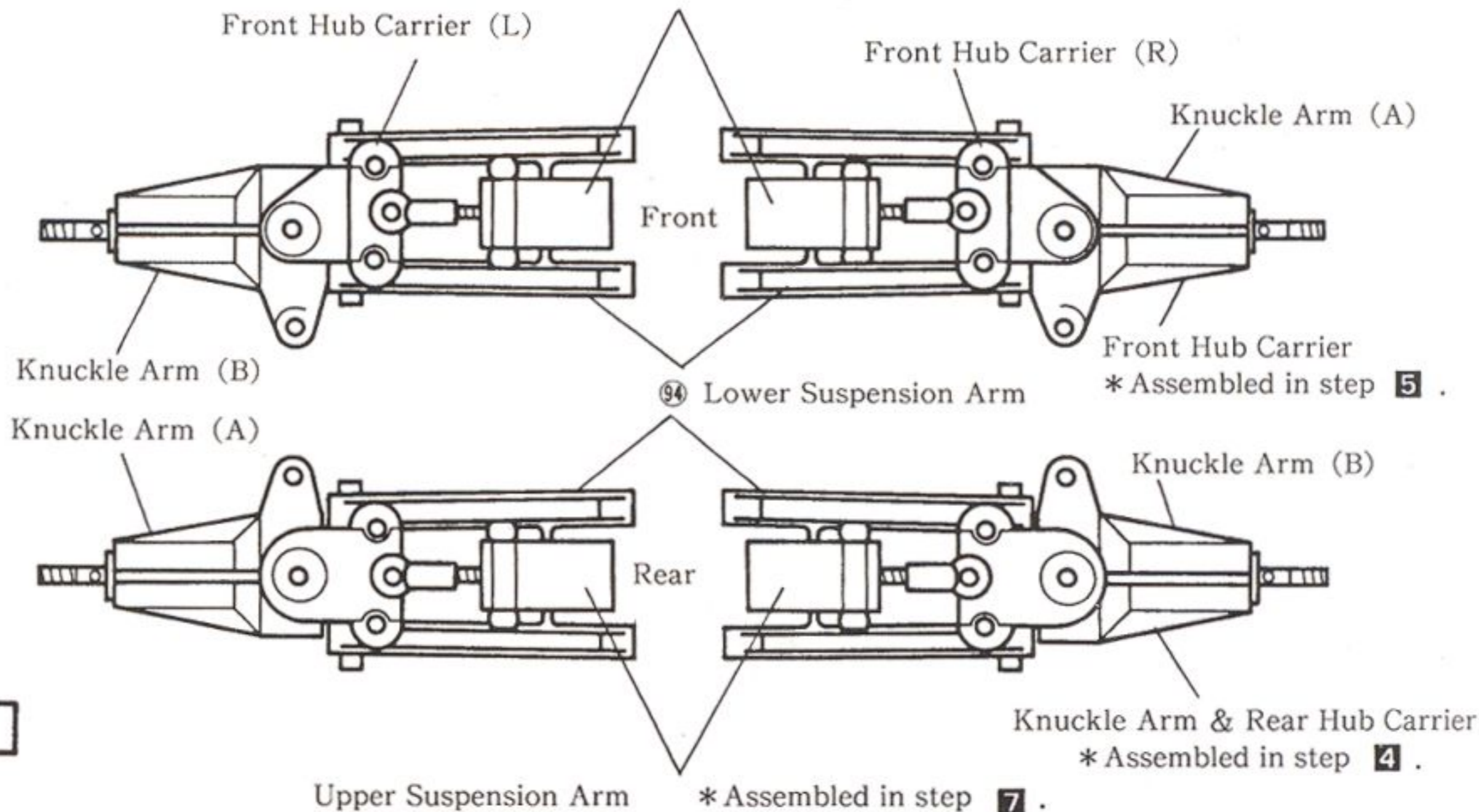
Slightly flaring the tie rod ends will help start the rods to thread.

8 INSTALLATION OF SUSPENSION ARM

* Assemble both sides.

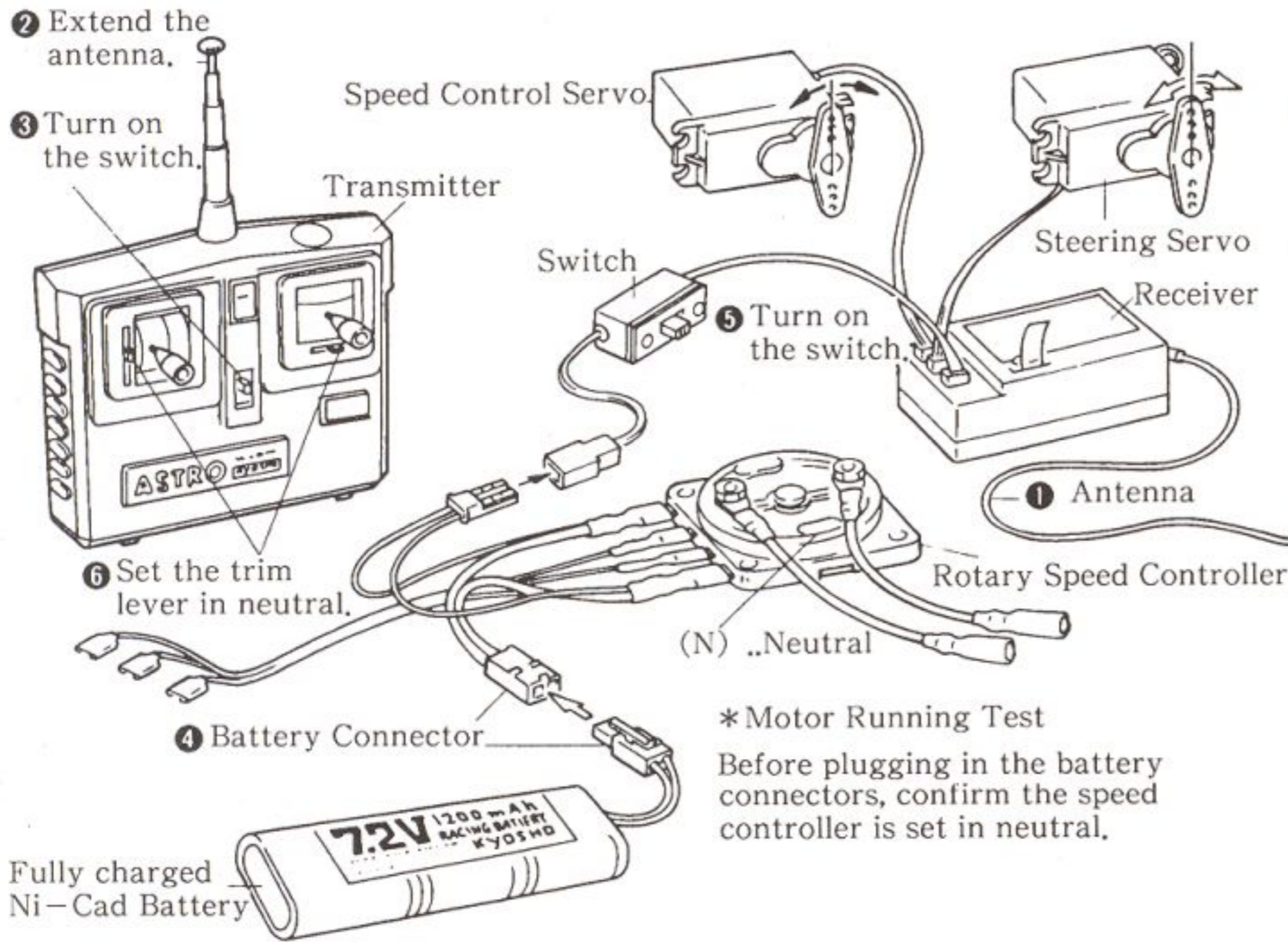


- ⑩⑥ E Ring (E4) 8
- ⑥① Suspension Shaft (C) 4
- ⑥② Suspension Shaft (B) 4
- ⑤⑨ Suspension Shaft (A) 4



9 HOW TO CHECK RADIO SYSTEM

Operate the radio control units in order of the numerical figures.



This model is for BEC system radio only.

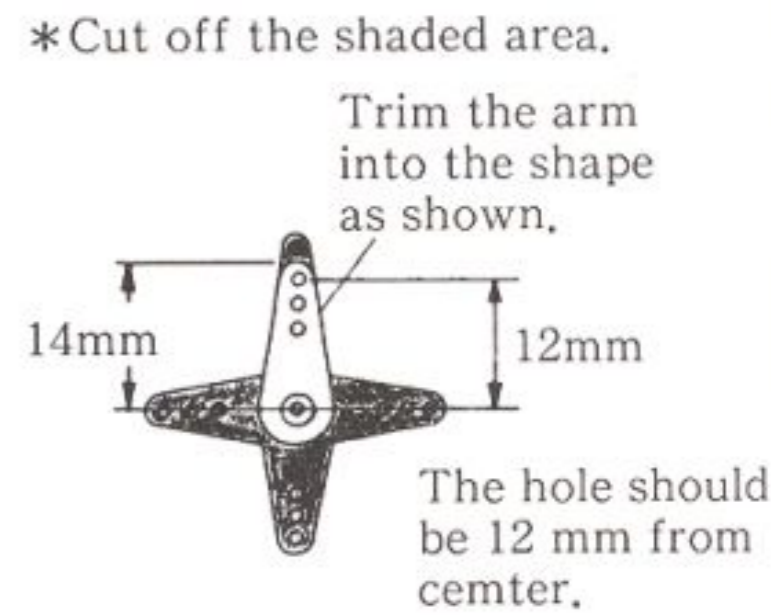
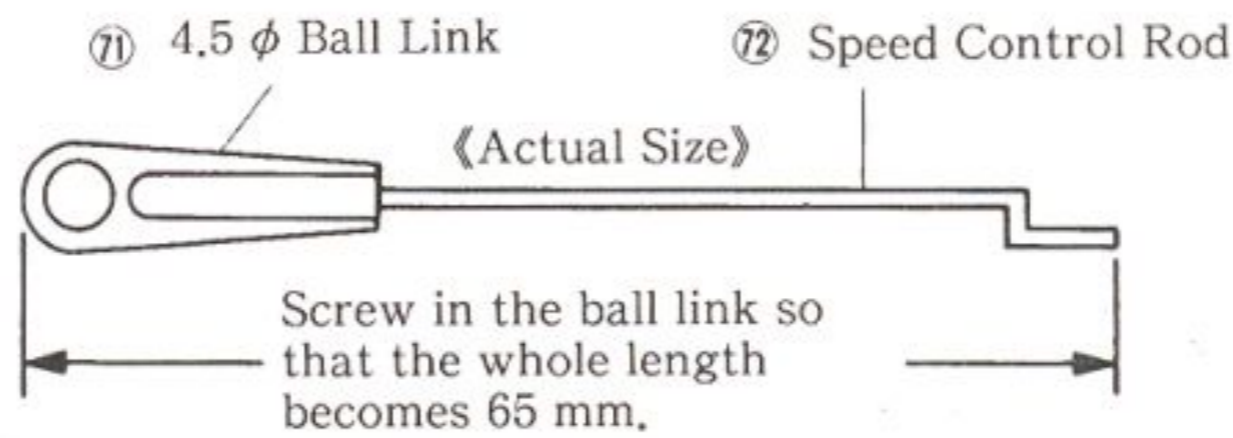
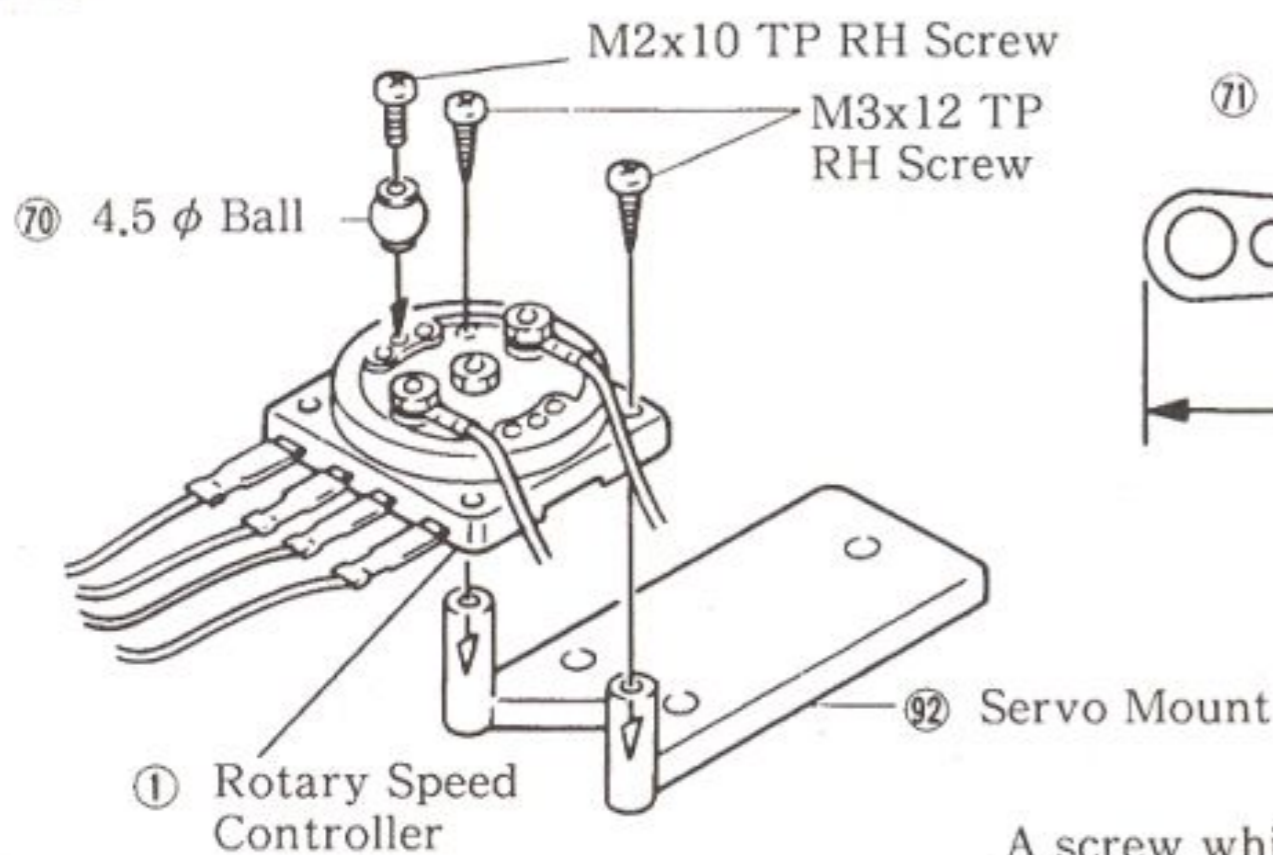
A two channel radio is composed of things like a transmitter, receiver, servos, and battery.

- Transmitter ... It is effect a control box. Signal waves are transmitted through an antenna according to the stick movements.
- Receiver ... Receives the signals from the transmitter and send them to the servos.
- Servo ... They really move the control mechanism of a model car in accordance with the signals from the receiver.
- Antenna ... An antenna on the transmitter sends signals, and one on the receiver accepts them. They should be fully extended.
- Trim Lever ... They will adjust the neutral position of servos, thus regulate the steering and advancing controls finely.
- Battery Meter ... You can tell the amount of electricity in a battery and how the signals are emitted.
- Servo Horn ... They are intermediate devices on the servos to activate the controls. There are several types in shape. They should be selected depending upon the usage.

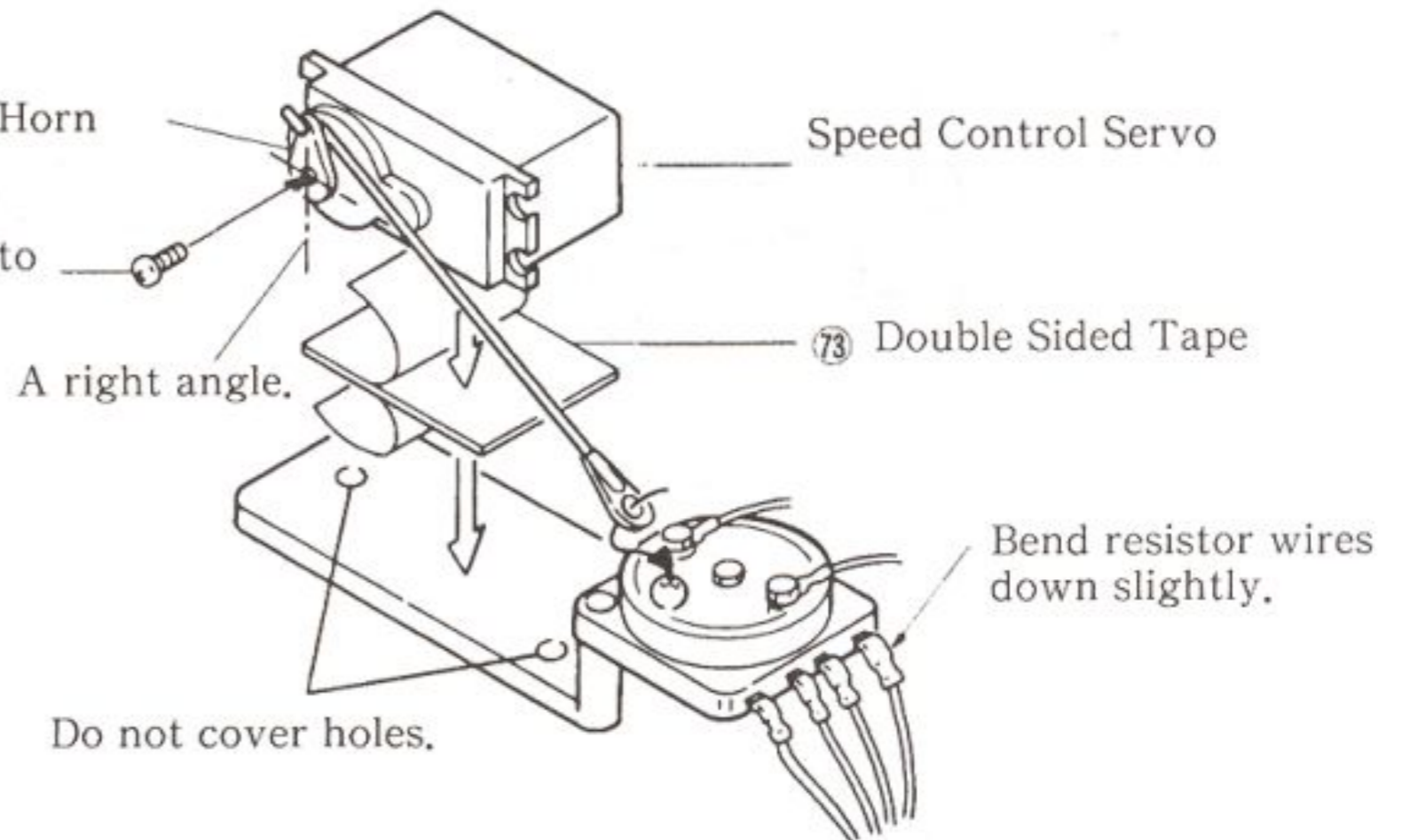
*** Motor Running Test**
Before plugging in the battery connectors, confirm the speed controller is set in neutral.

When switch on the radio Get the switches in order from transmitter to receiver.
When switch off the radio In order from receiver to transmitter.

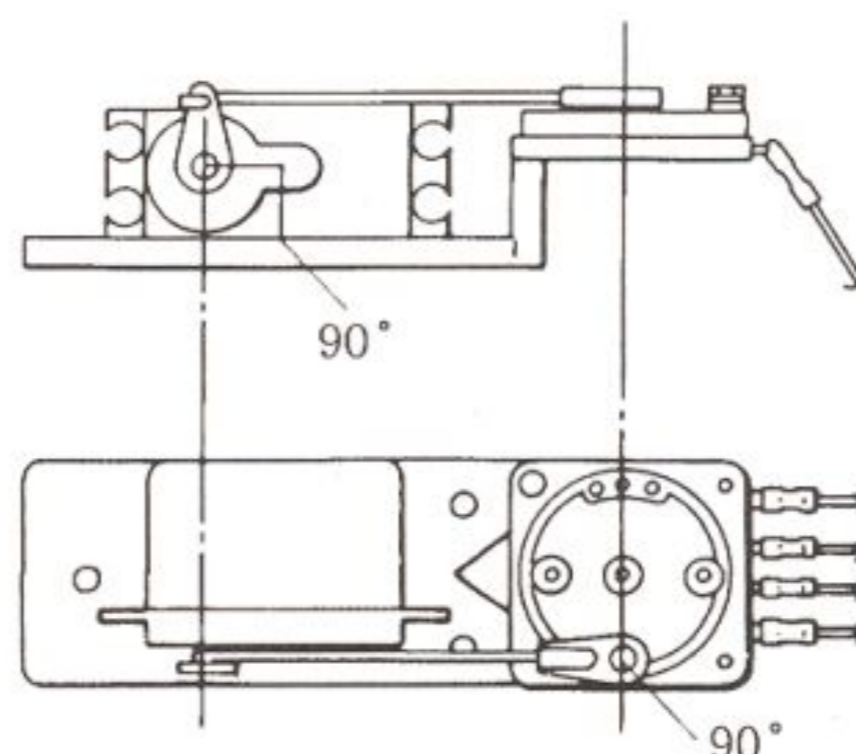
10 ASSEMBLY OF SPEED CONTROL SERVO



A screw which was used to fix the servo horn.

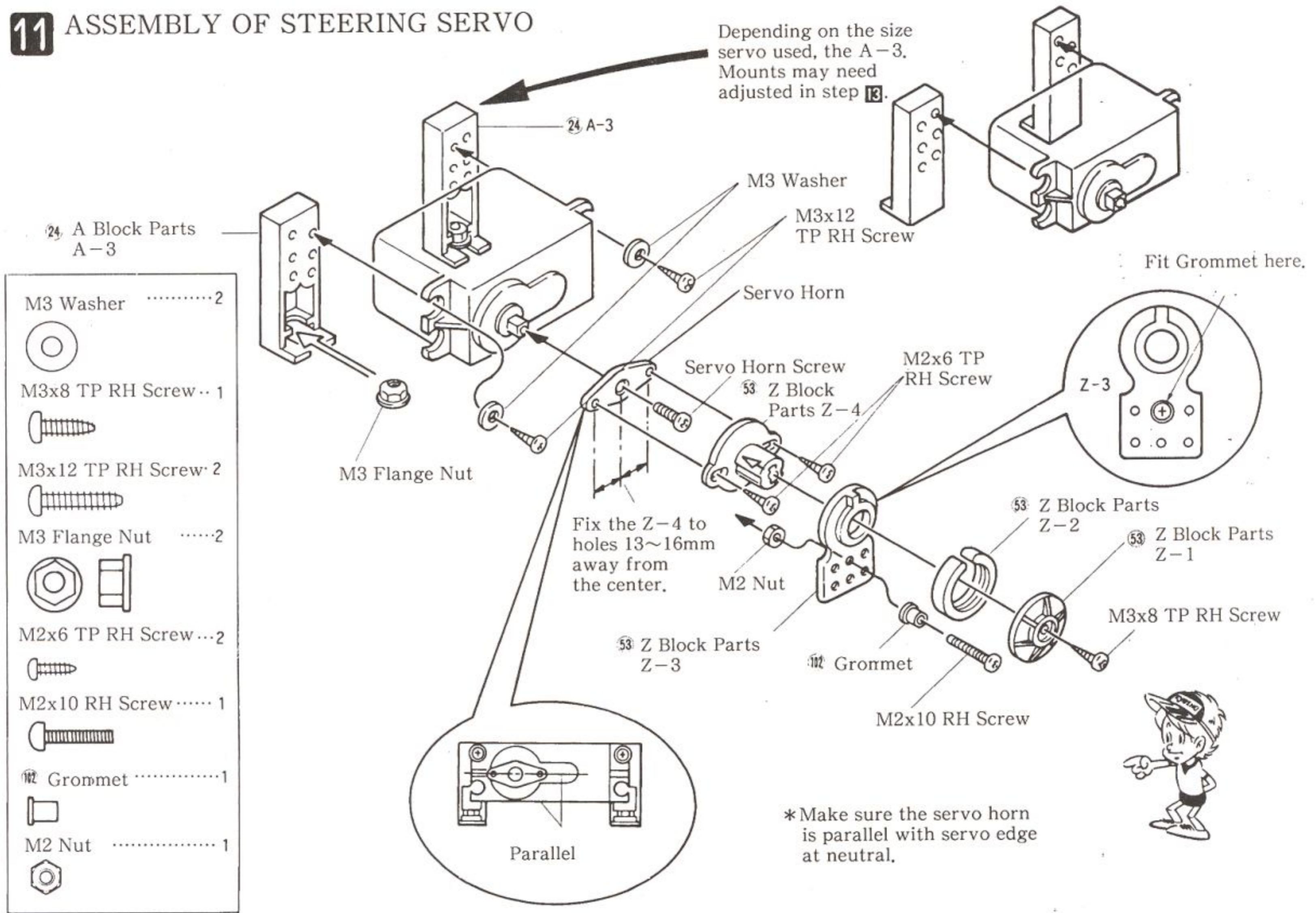


- 73 Double Sided Tape 1
- 40mm
- M3x12 TP RH Screw 2
- M2x10 TP RH Screw 1
- 70 4.5 phi Ball 1
- 71 4.5 phi Ball End 1
- 72 Speed Control Rod 1

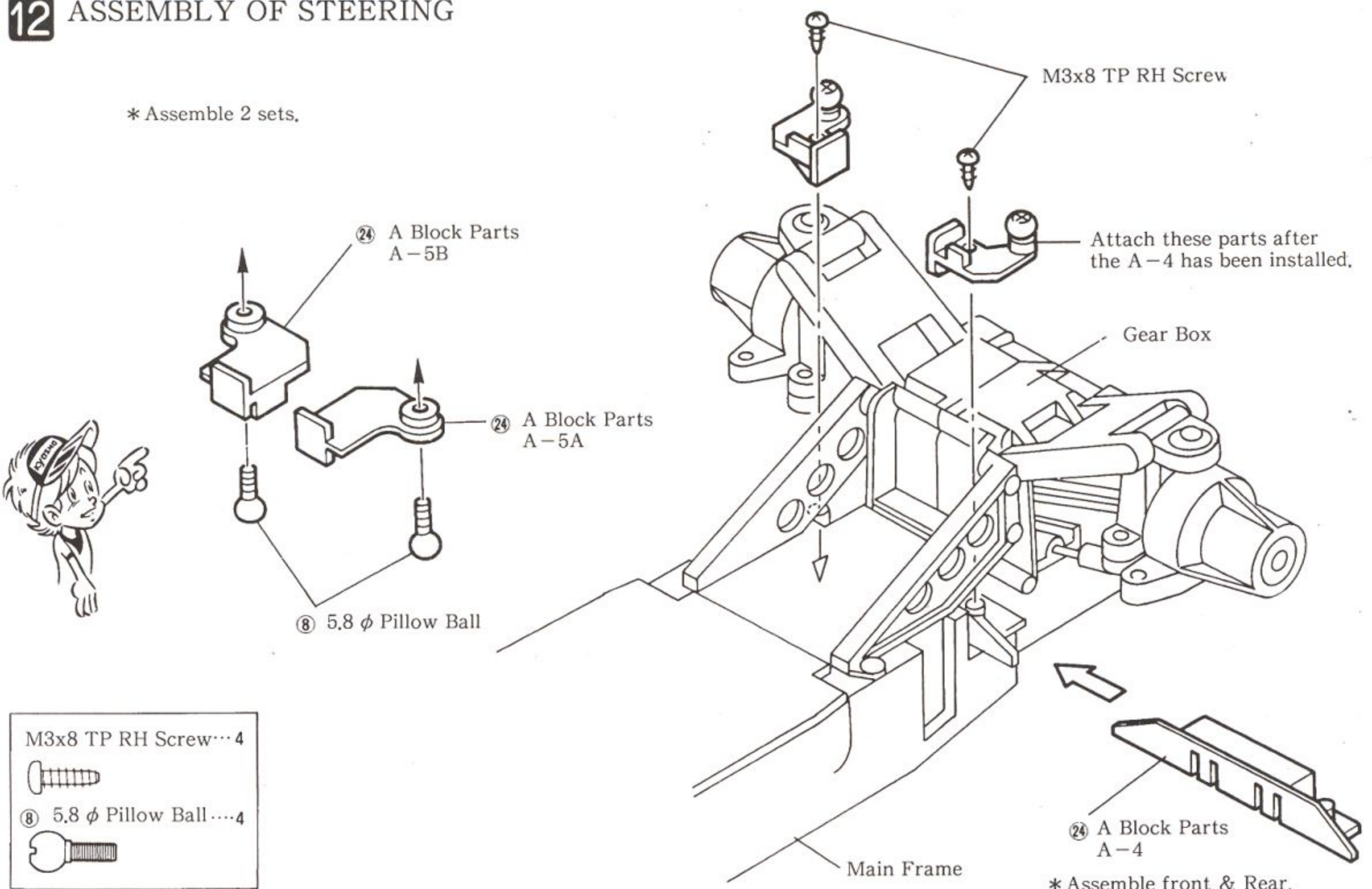


* Servo horn and control rod should be at a 90° angle.

11 ASSEMBLY OF STEERING SERVO

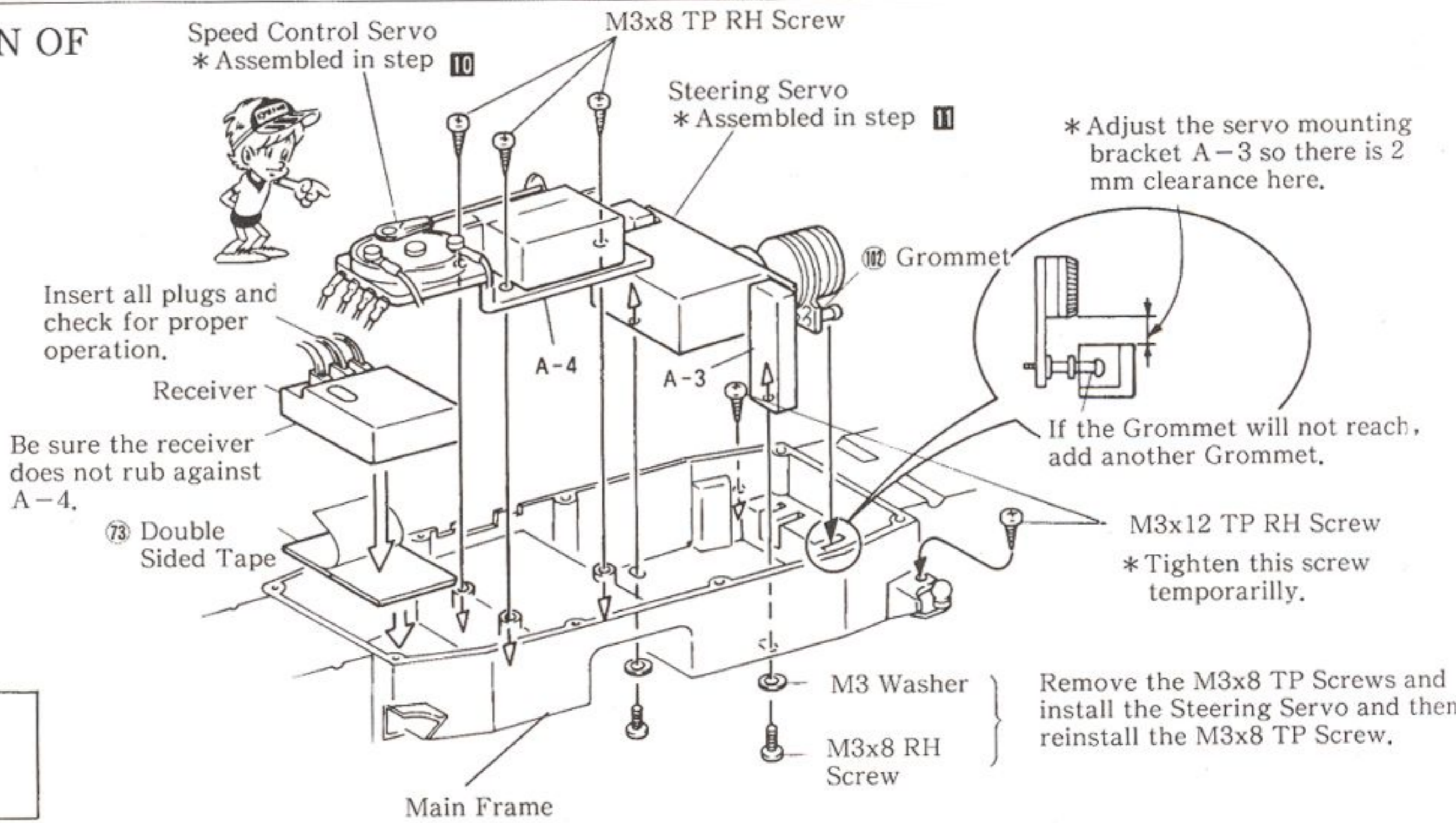


12 ASSEMBLY OF STEERING



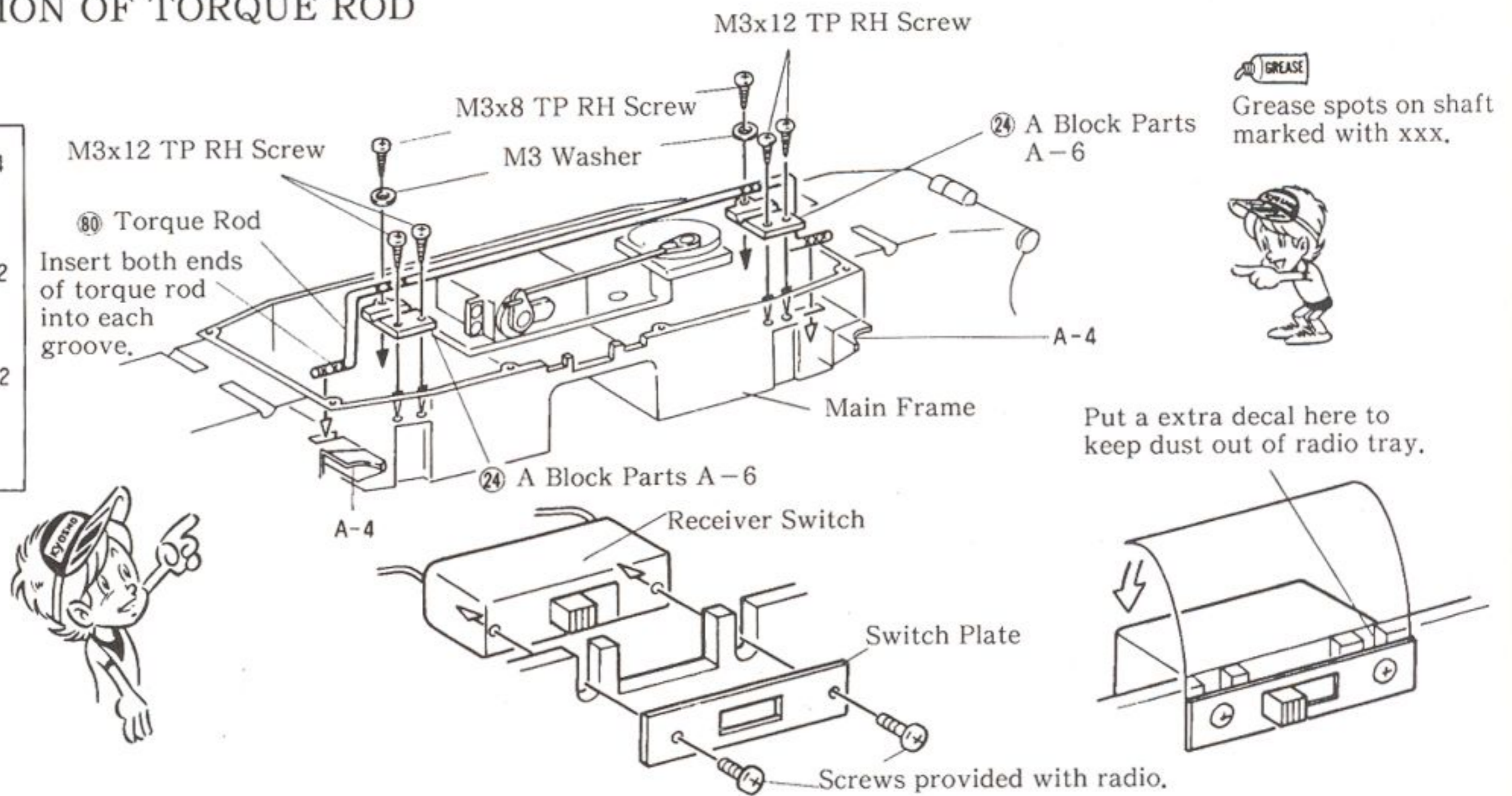
13 INSTALLATION OF R/C UNIT

- M3x8 TP RH Screw 3
 - M3x12 TP RH Screw ... 2
 - M3x8 RH Screw 2
 - M3 Washer 2
 - (Grommet 1)
 - Double Sided Tape 1
- 



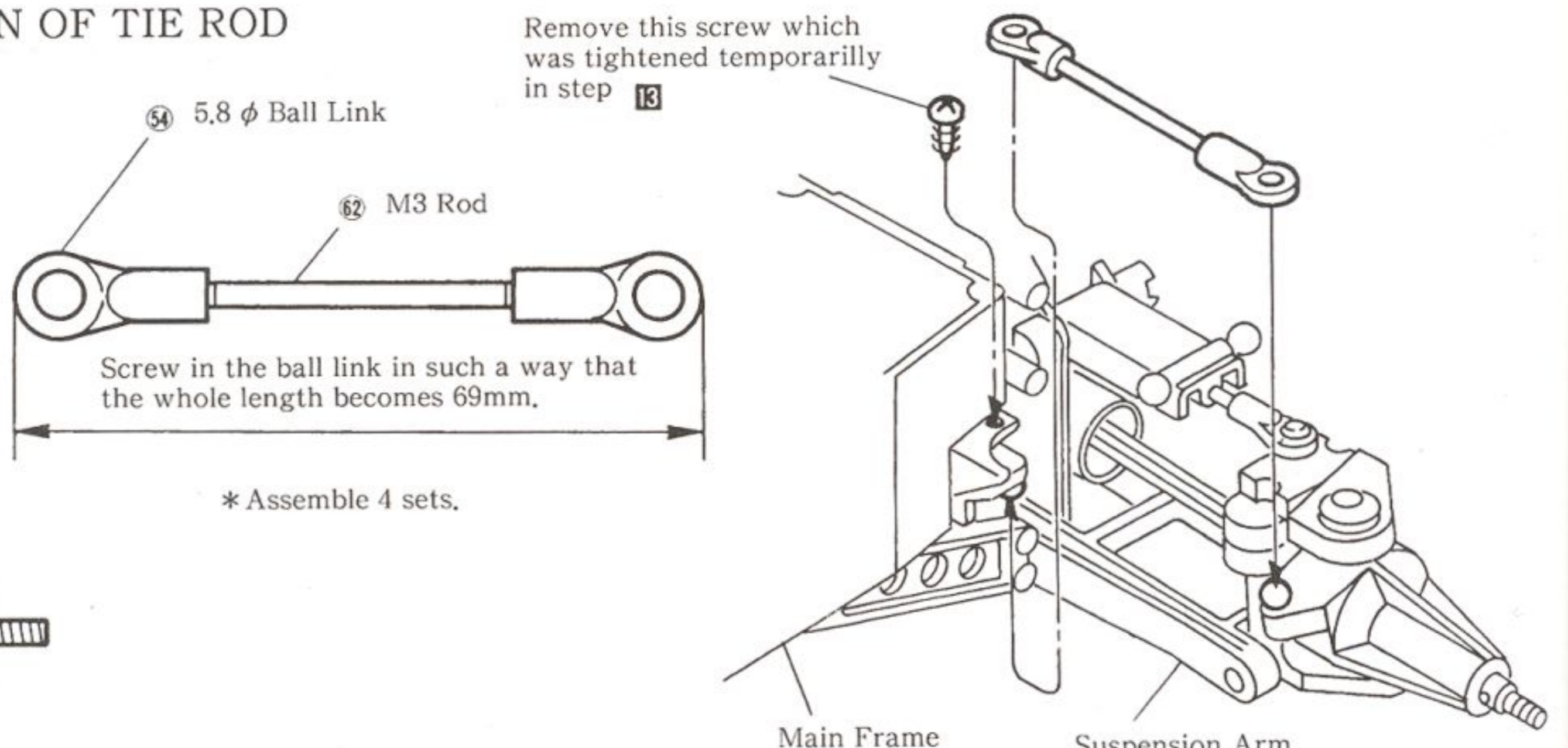
14 INSTALLATION OF TORQUE ROD

- M3x12 TP RH Screw.... 4
- M3x8 TP RH Screw 2
- M3 Washer 2



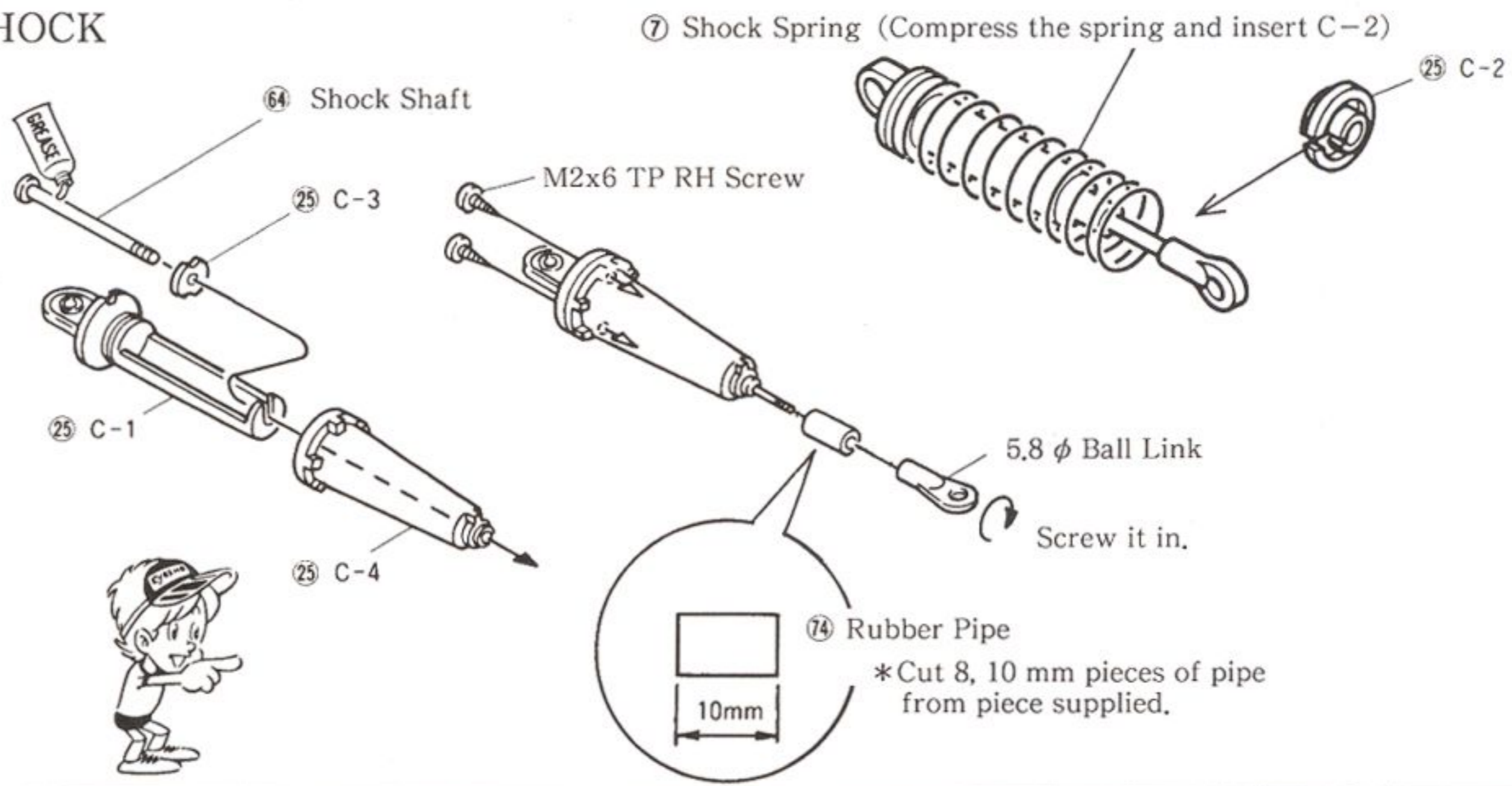
15 INSTALLATION OF TIE ROD

- 54 5.8 φ Ball Link 8
- 62 M3 Rod (for Tie Rod) 4



16 ASSEMBLY OF SHOCK

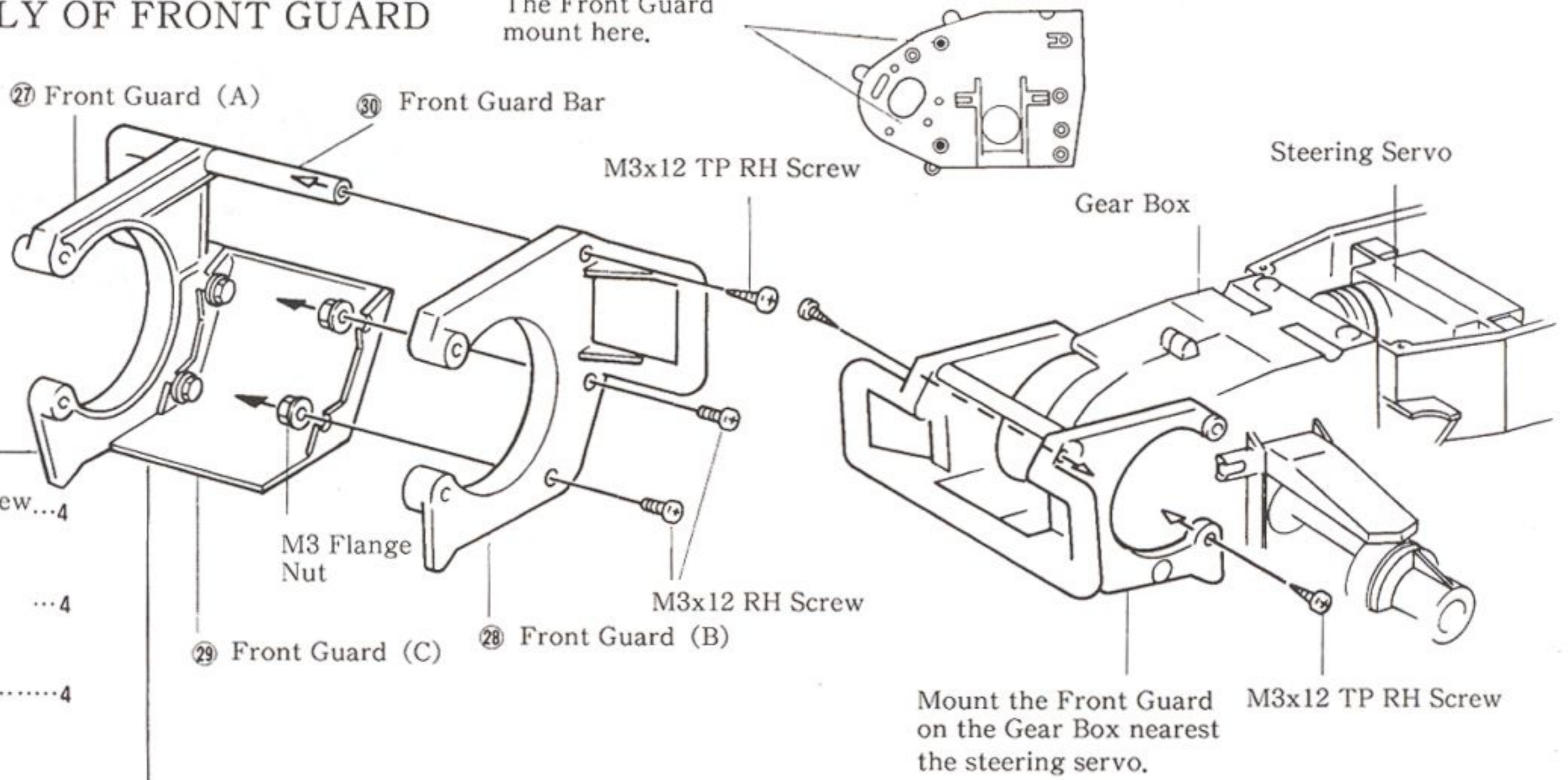
- M2x6 TP RH Screw...16
- 64 Shock Shaft ...8
- 54 5.8 φ Ball Link ...8
- 74 Rubber Pipe8



17 ASSEMBLY OF FRONT GUARD

- M3x12 TP RH Screw...4
- M3x12 RH Screw ...4
- M3 Flange Nut4

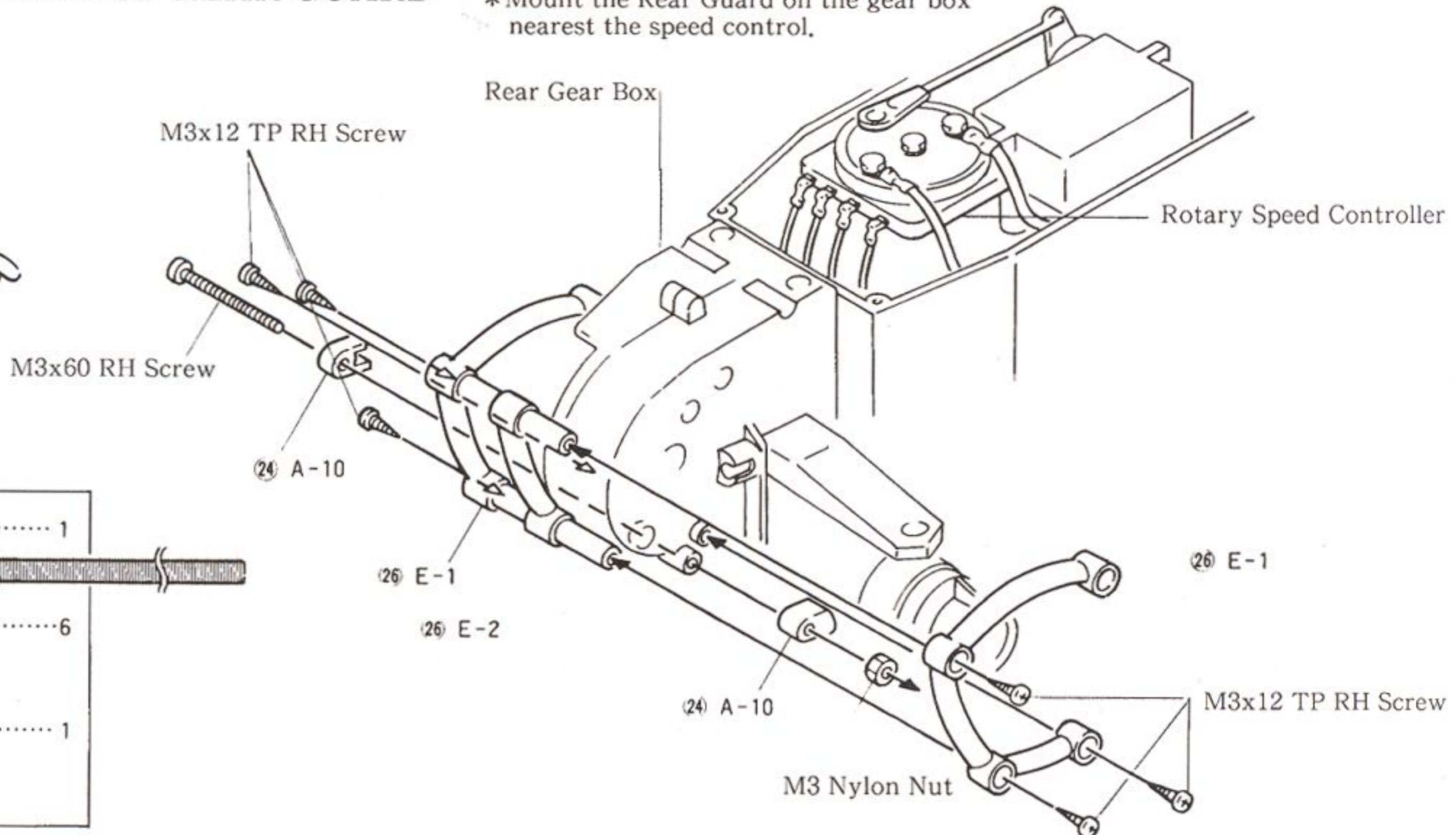
The Front Guard mount here.



18 INSTALLATION OF REAR GUARD

* Mount the Rear Guard on the gear box nearest the speed control.

- M3x60 RH Screw 1
- M3x12 TP RH Screw6
- M3 Nylon Nut 1

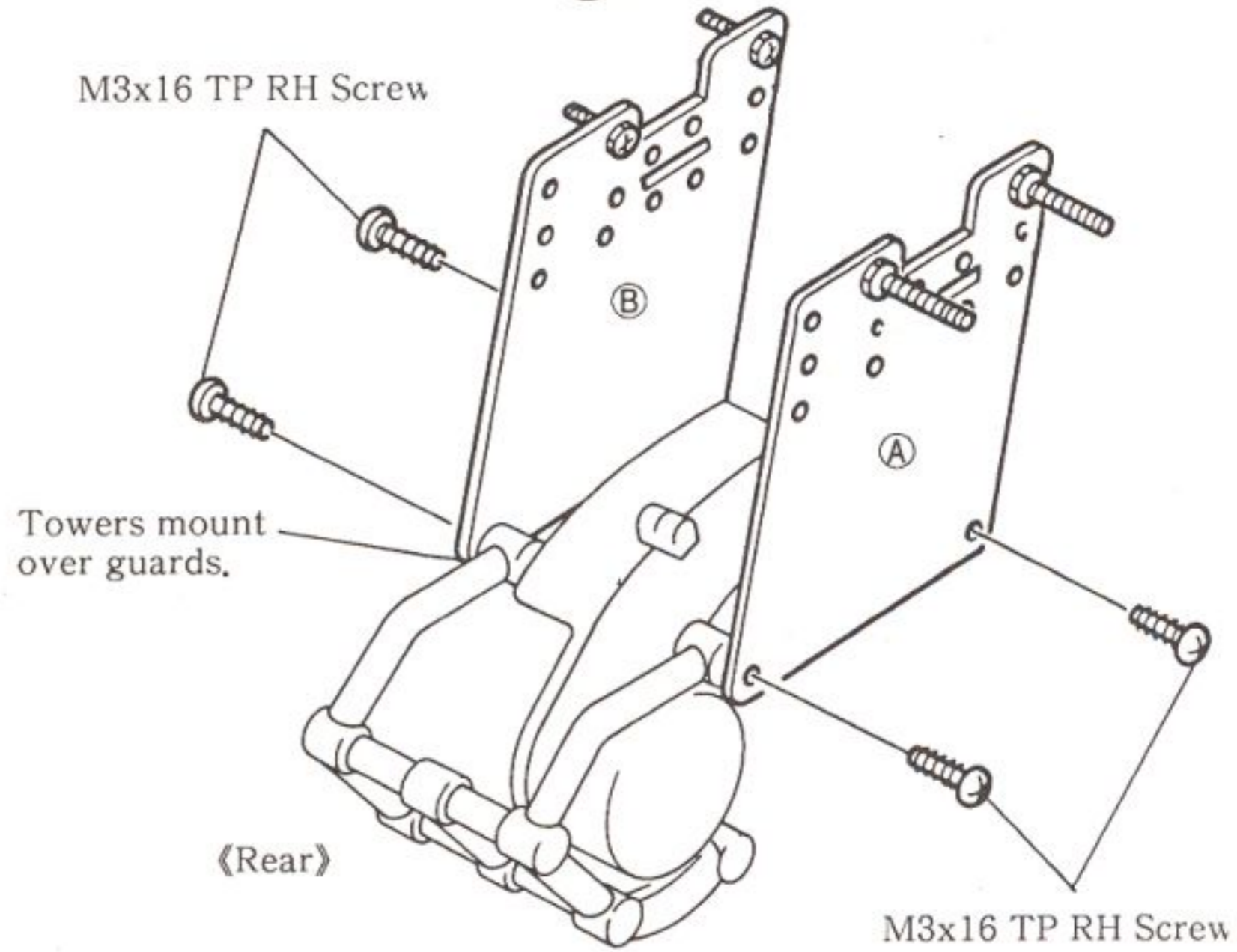
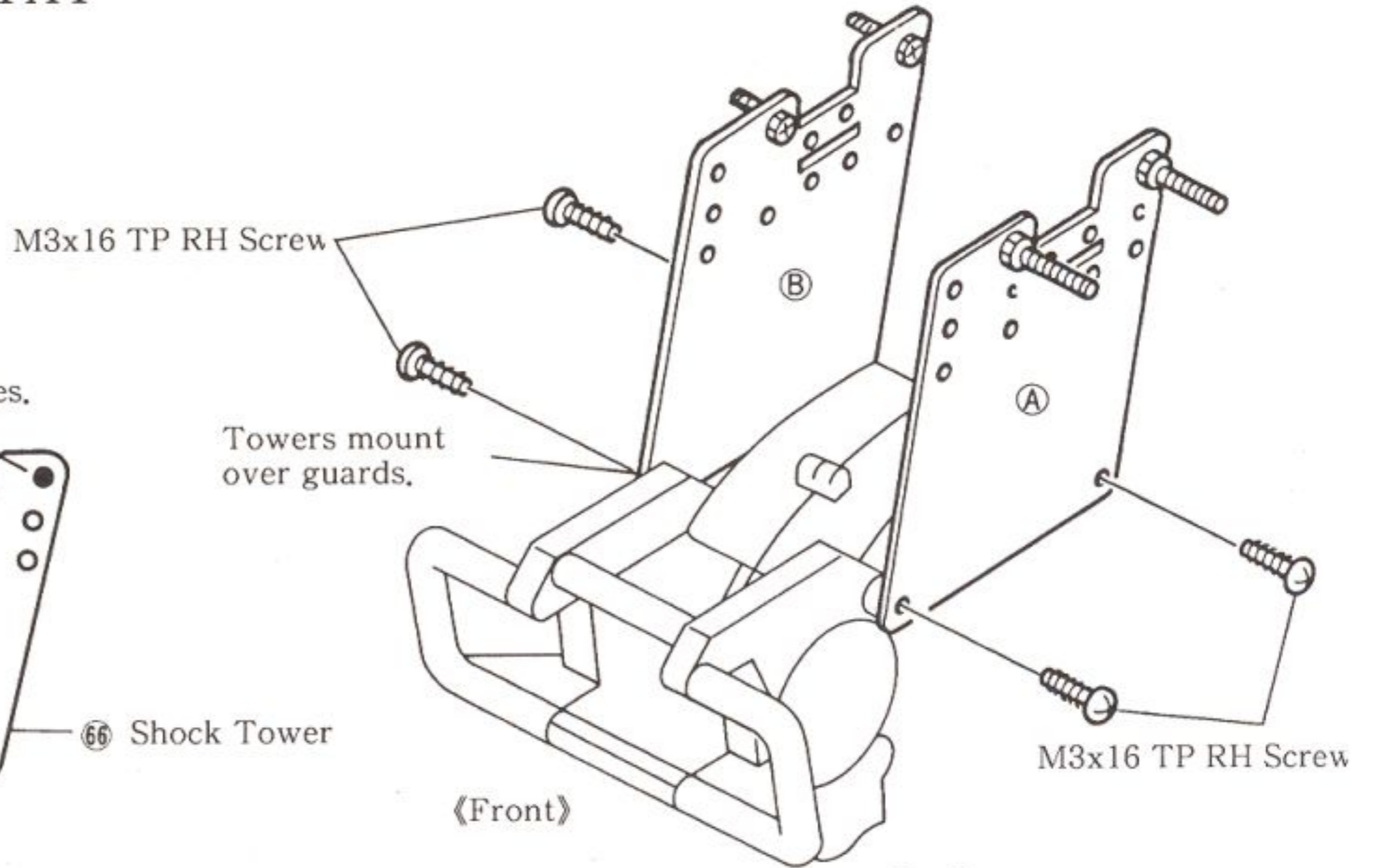
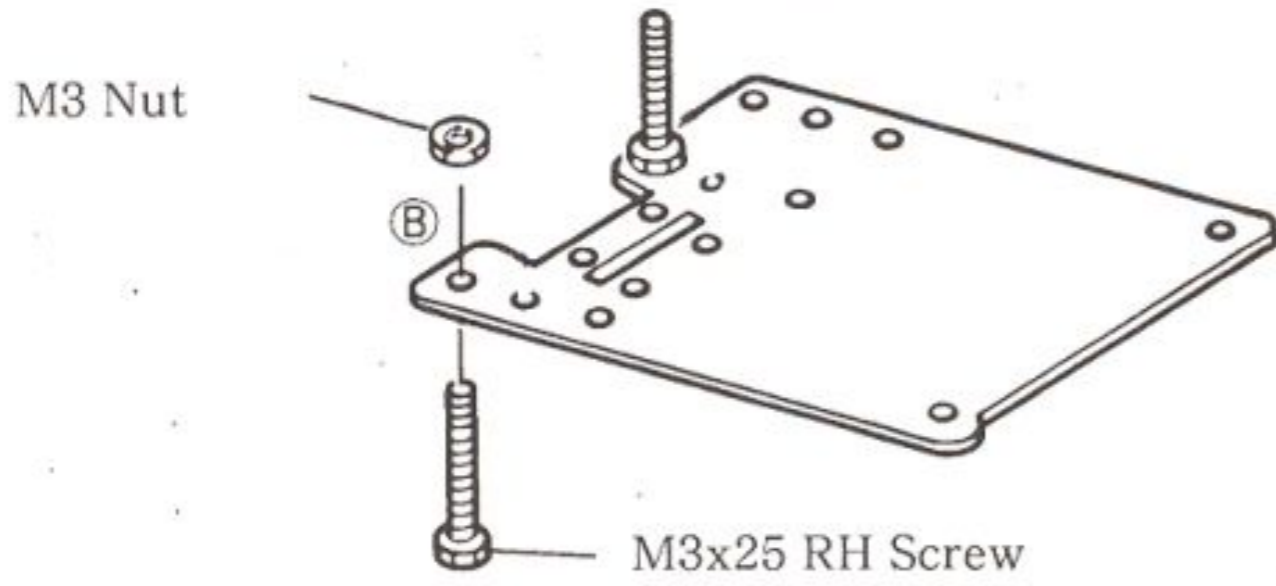
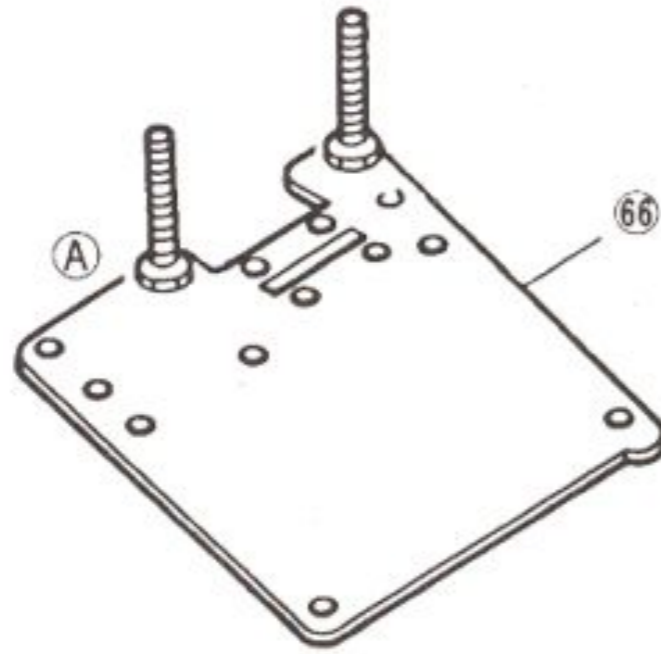
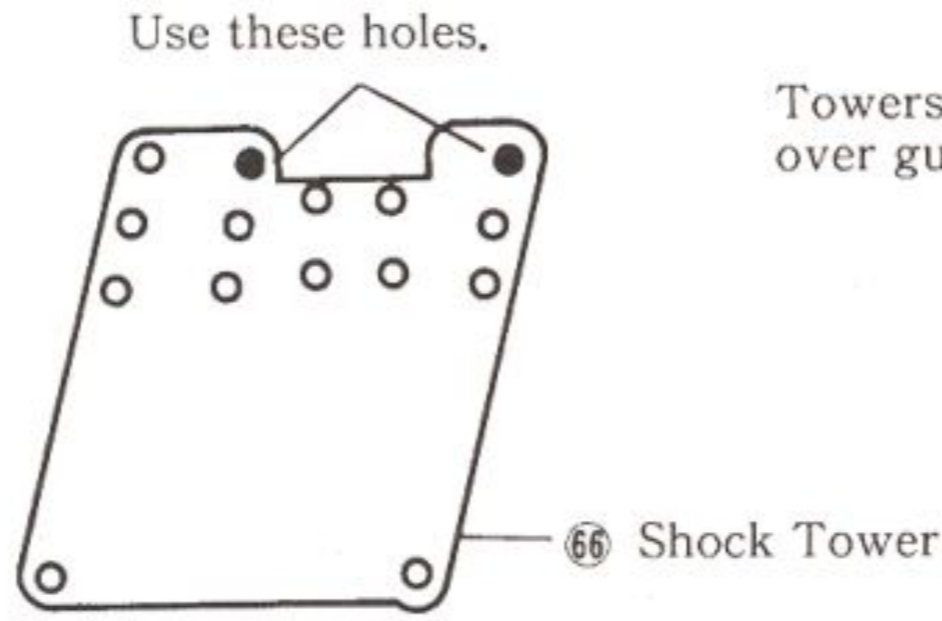


19 INSTALLATION OF SHOCK STAY

- M3x25 RH Screw 8
- M3x16 TP RH Screw 8
- M3 Nut 8



* Assemble 2 sets.
Be careful about the direction.



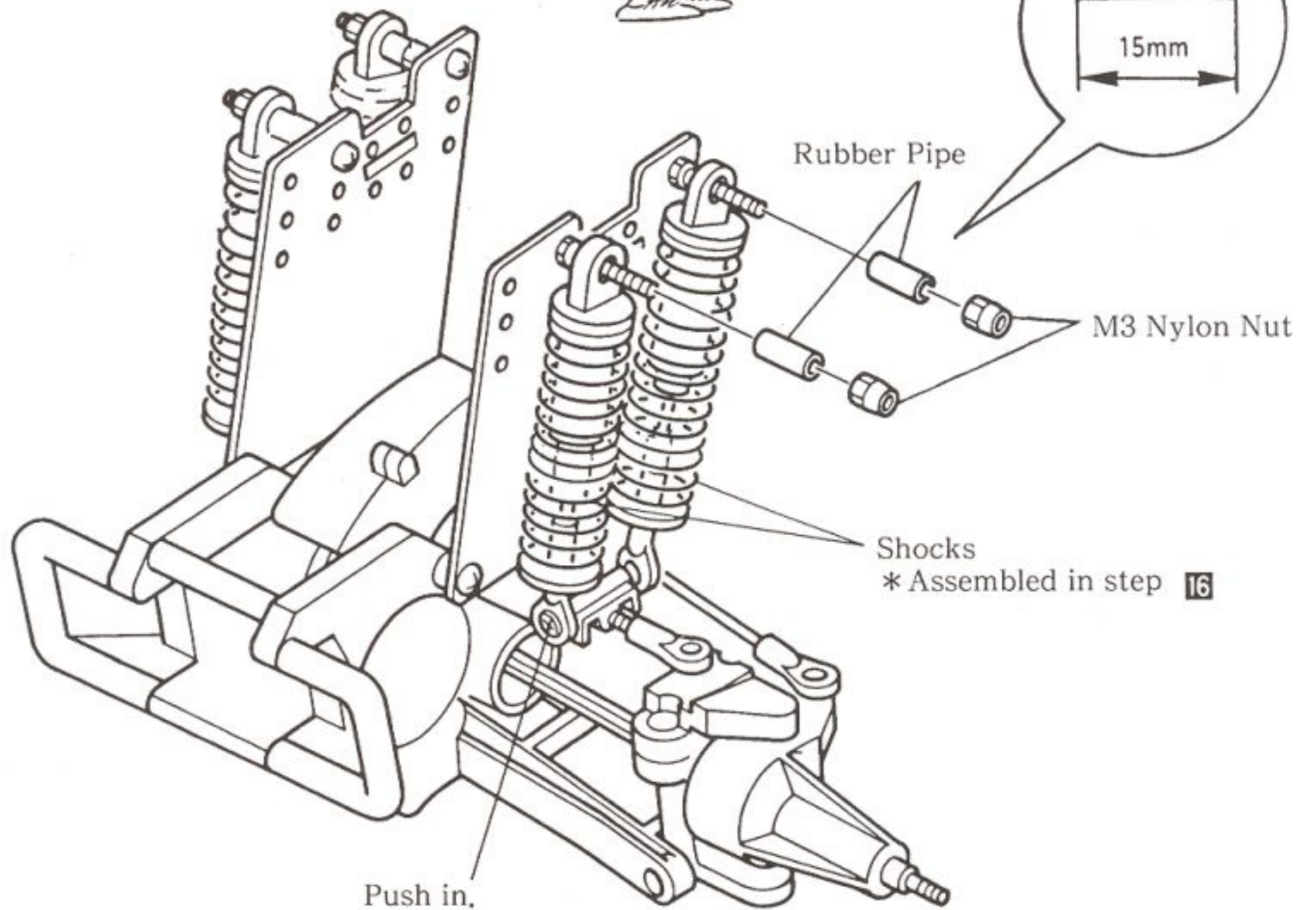
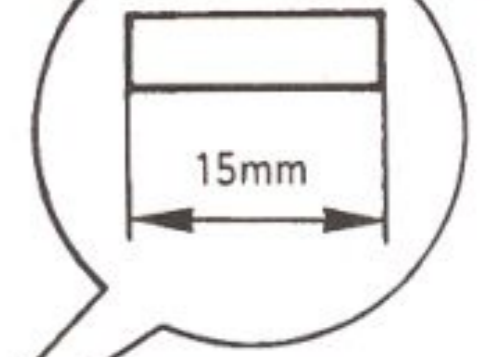
20 INSTALLATION OF SHOCK

- M3 Nylon Nut 8
- 74 Rubber Pipe 8

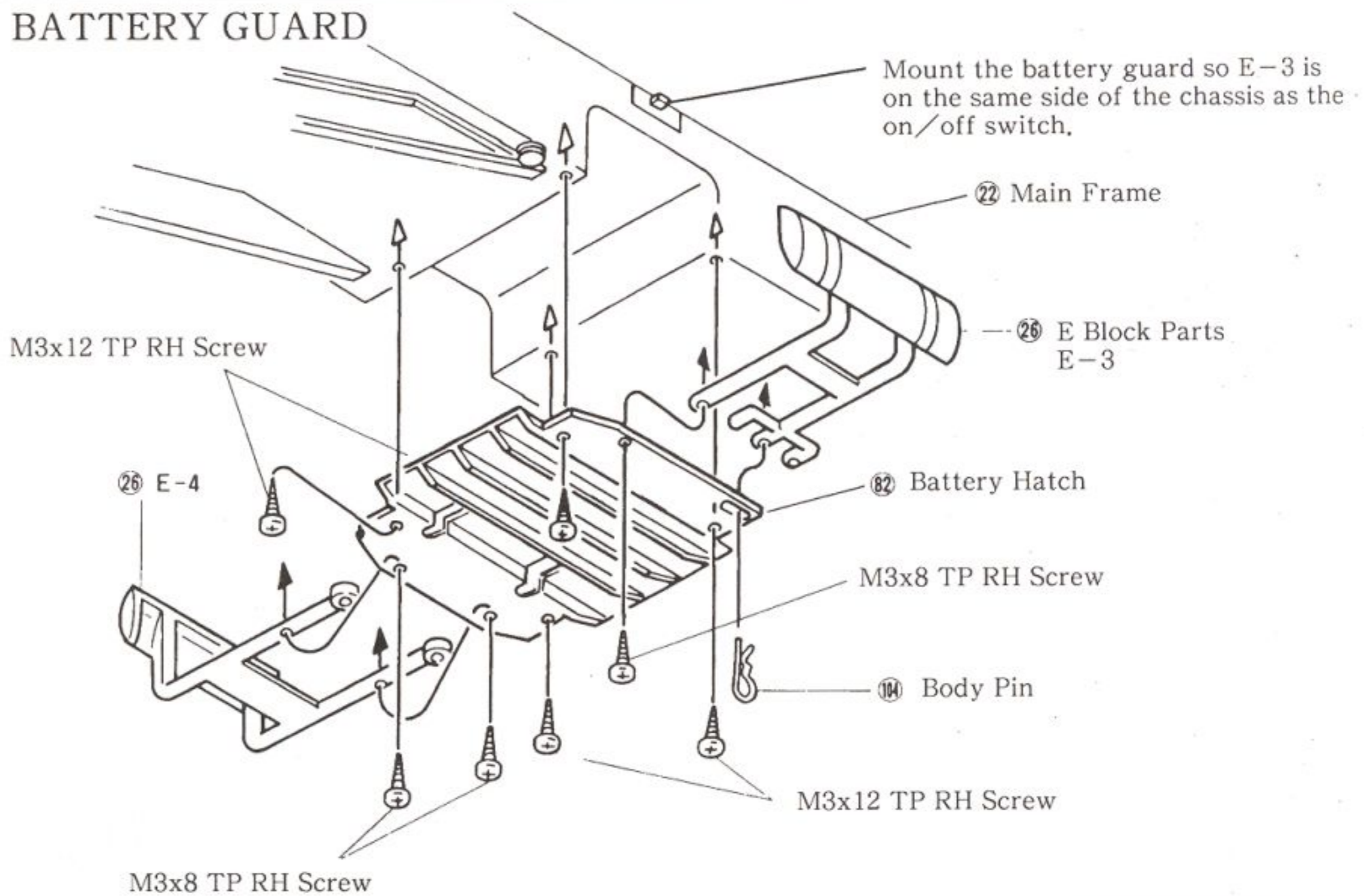
* Install Front & Rear Shocks.



74 Rubber Pipe
Cut pipe to size, in 8 pieces.



21 INSTALLATION OF BATTERY GUARD



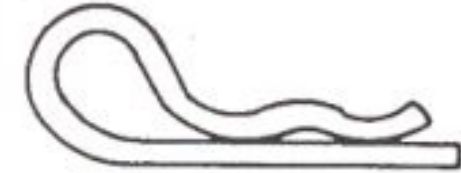
M3x12 TP RH Screw4



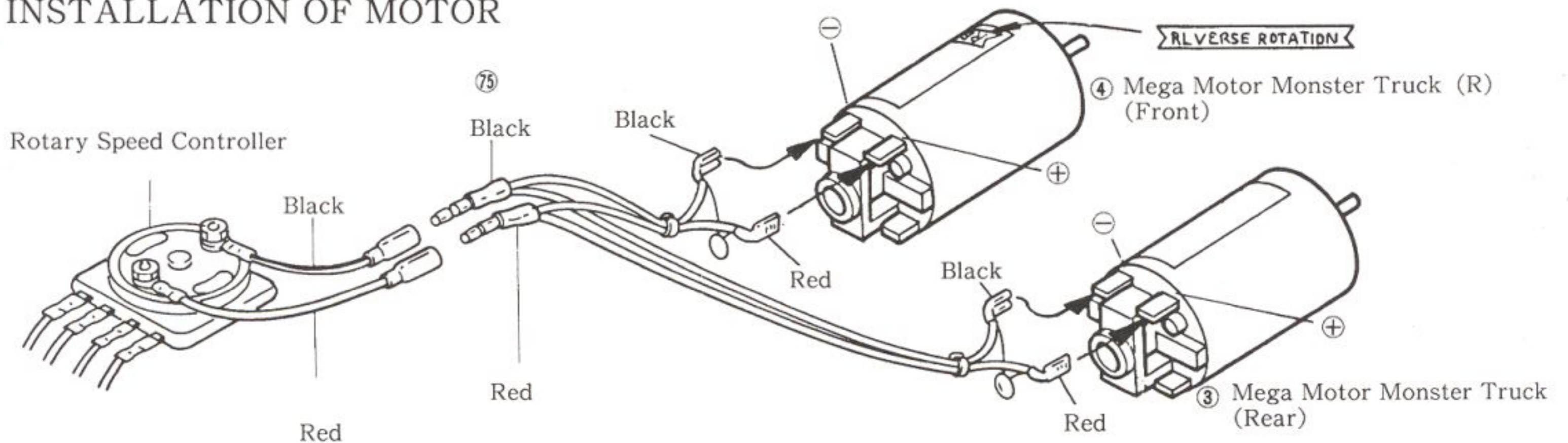
M3x8 TP RH Screw3



⑩④ Body Pin1

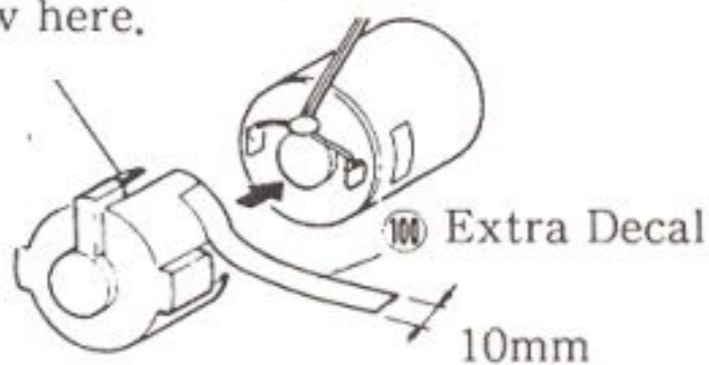


22 INSTALLATION OF MOTOR

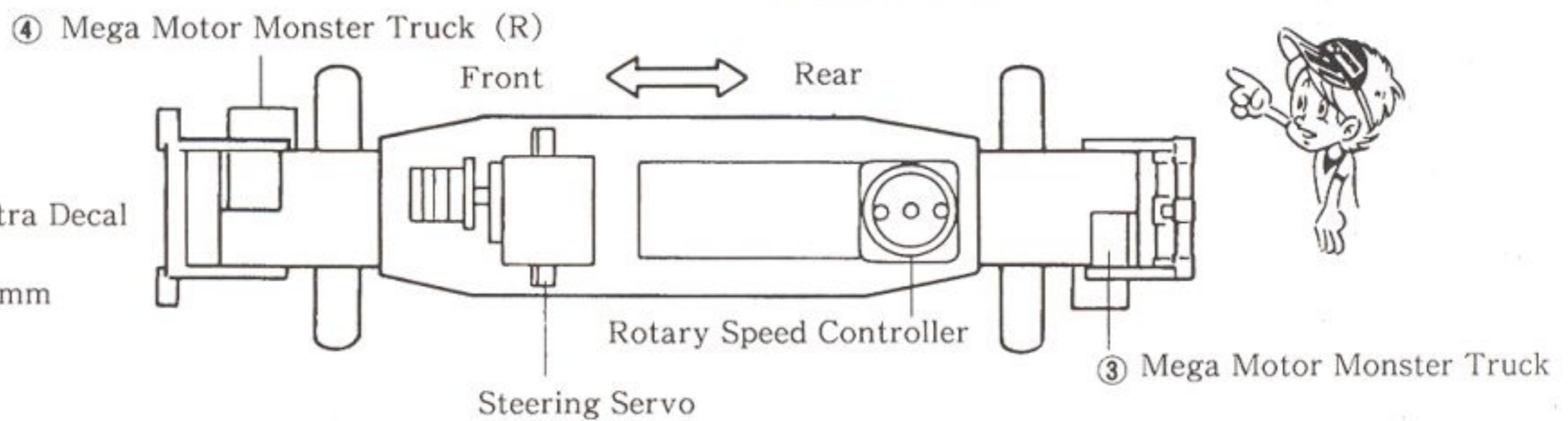


*NOTE: The front motor turns in the opposite direction than the rear so do not switch them.

Insert motor leads through here.



Trim the motor cover on the cut out line.



M3x12 TP RH Screw.....4



M3x28 RH Screw4



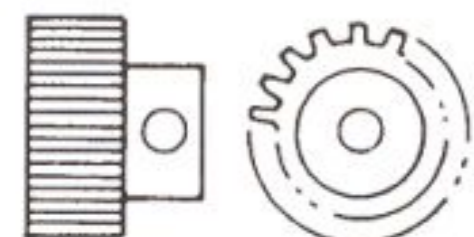
M3 Washer4



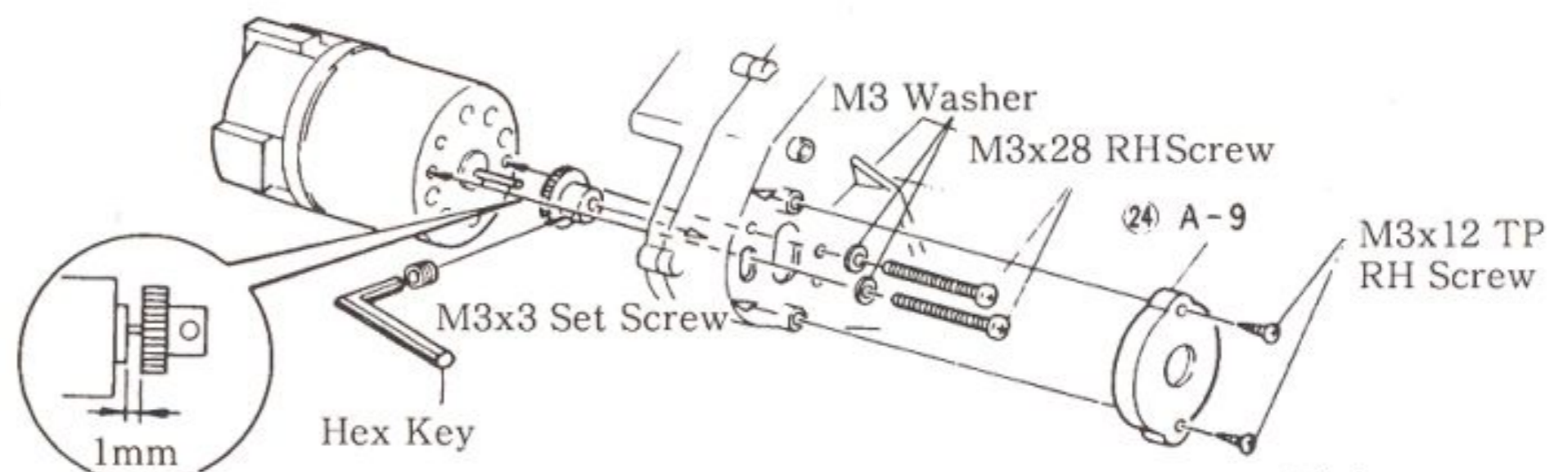
M3x3 Set Screw2



⑤ Pinion Gear 11T2

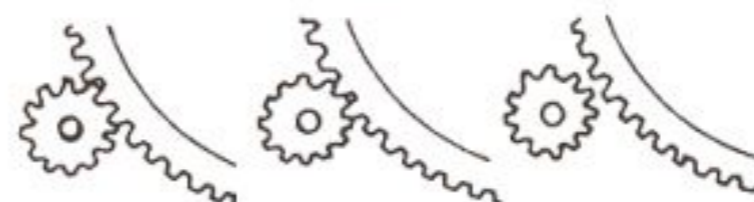


Leave 1mm gap between the motor and pinion gear.



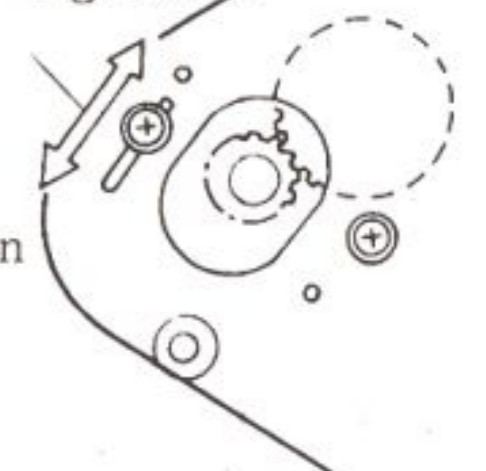
Backlash Adjustment

Too Tight X Correct O Too Loose X



Loosen

Tighten



23 INSTALLATION OF COVER

M3x12 TP RH Screw

M3x8 RH Screw

M3x12 TP RH Screw

23 Cover

Motor Cord

7.2V Connector

81 Vinyl Tie Wrap

Receiver & Motor Cords

M3 Nut

Do not pinch wires under lid. Permanent damage could result from improper assembly.

Cut out shaded area and drill three 3mm holes.

Strap wires together.

M3x12 TP RH Screw	8
M3x8 RH Screw	3
M3 Nut	3

24 ASSEMBLY OF CARBURETOR

33 Air Cleaner Cover

34 Air Cleaner

35 Carburetor

36 Carburetor Base

31 Front Body Mount

Be careful about the orientation.

M3x8 TP RH Screw

M3 Washer

M3x8 TP RH Screw

M3x8 TP RH Screw

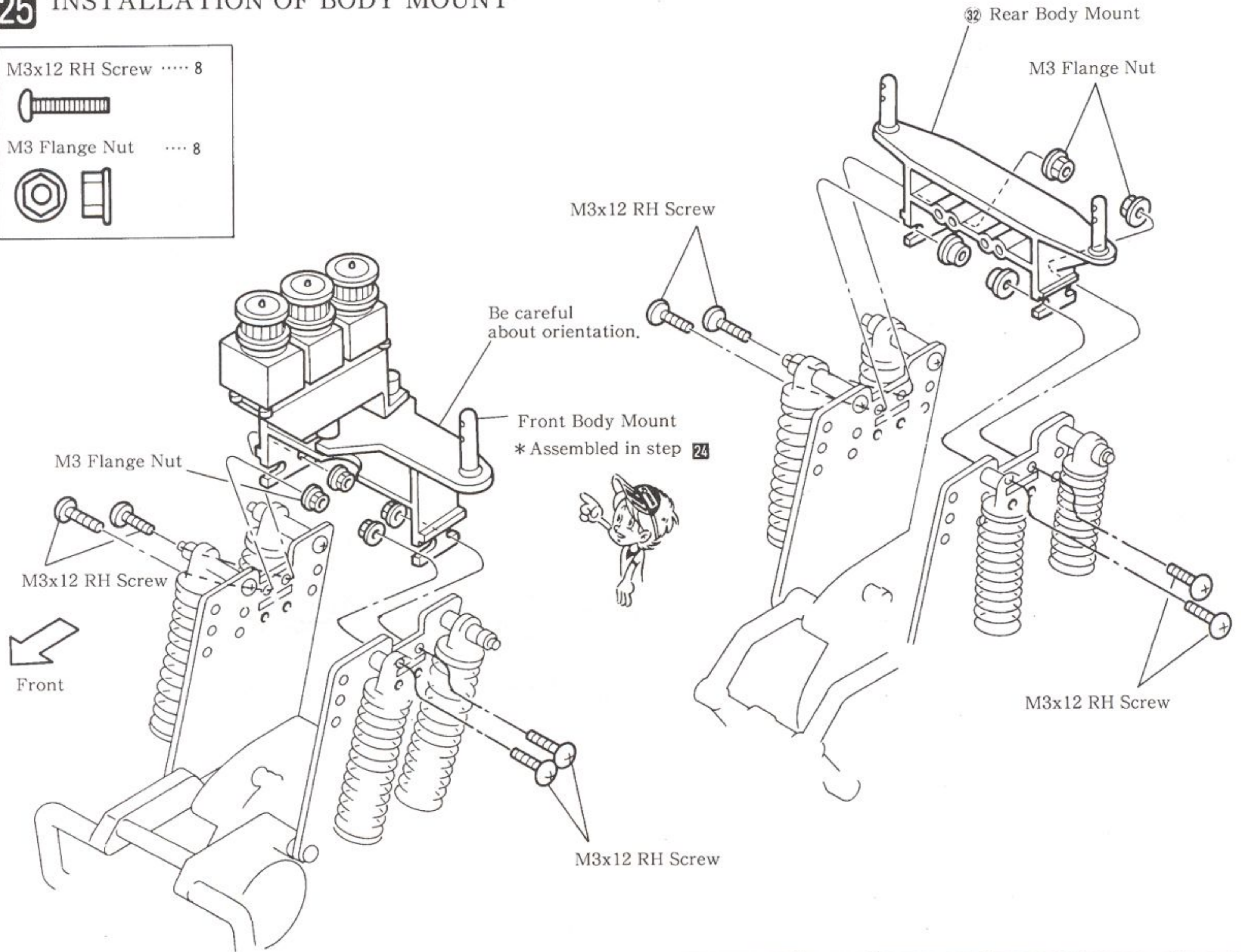
M3x8 TP RH Screw	7
M3 Washer	2

25 INSTALLATION OF BODY MOUNT

M3x12 RH Screw 8

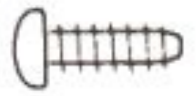


M3 Flange Nut 8



26 INSTALLATION OF RESISTOR AND ANTENNA

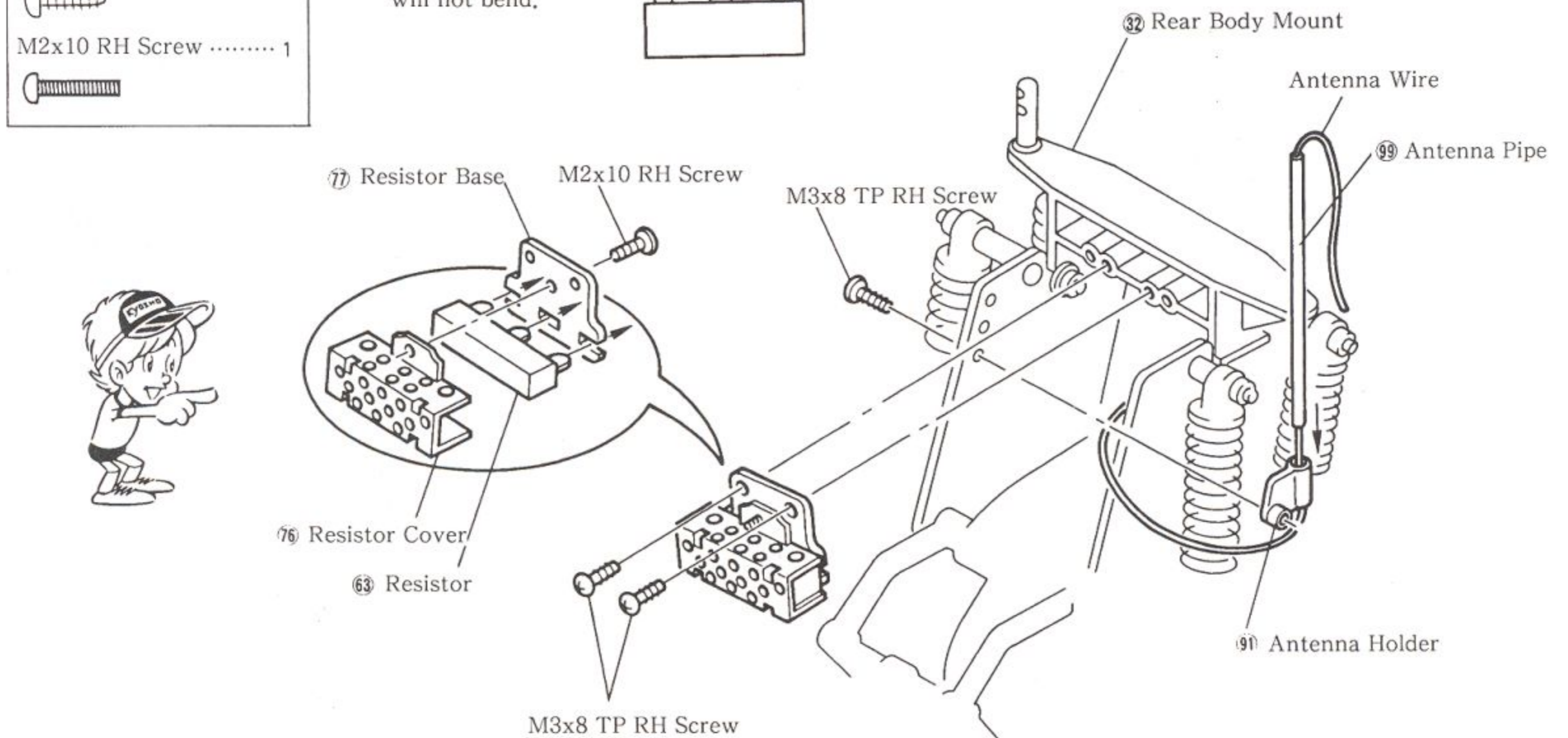
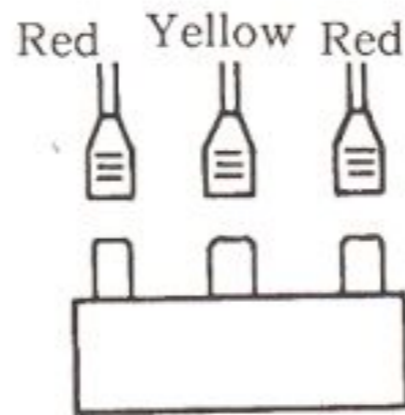
M3x8 TP RH Screw 3



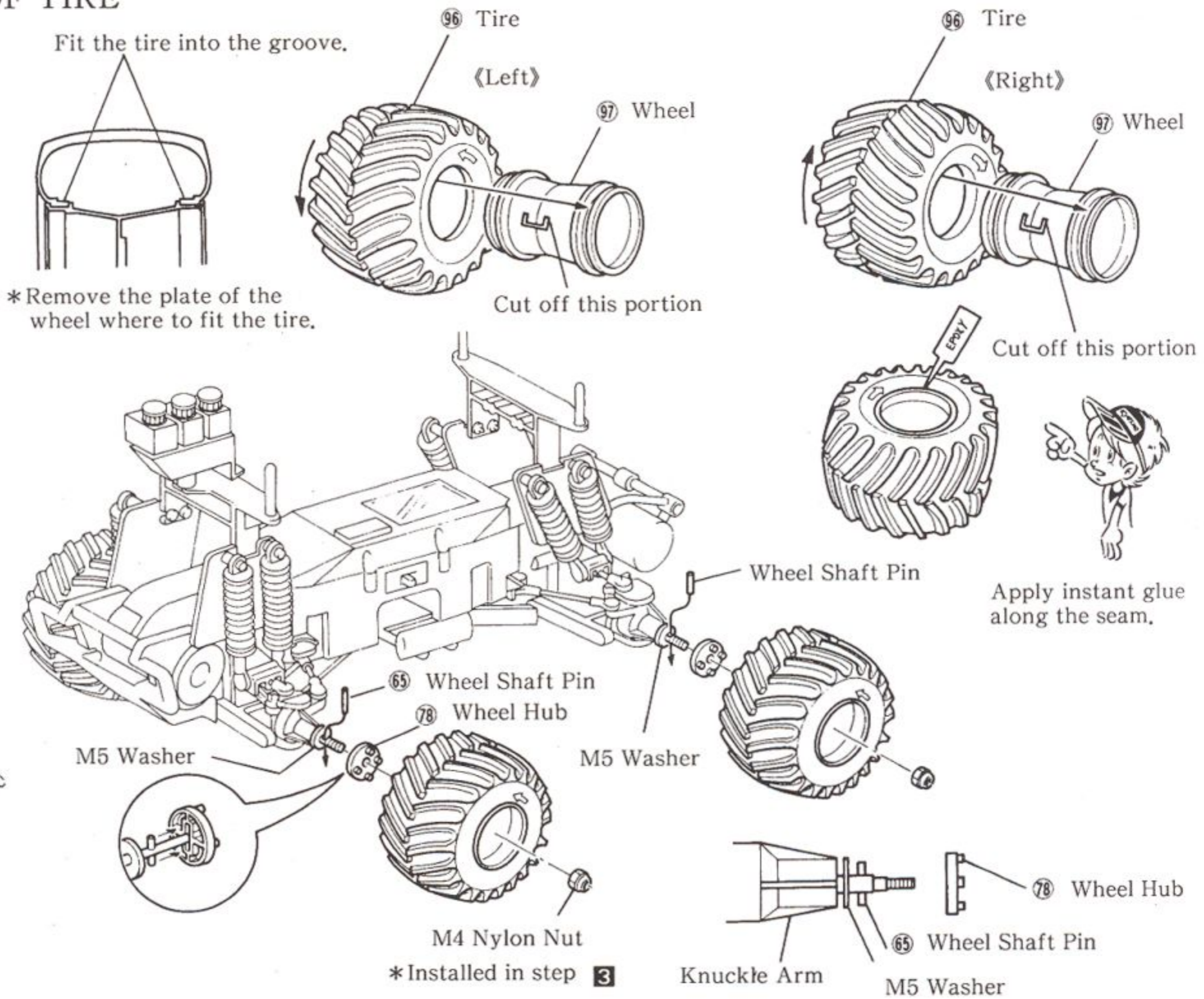
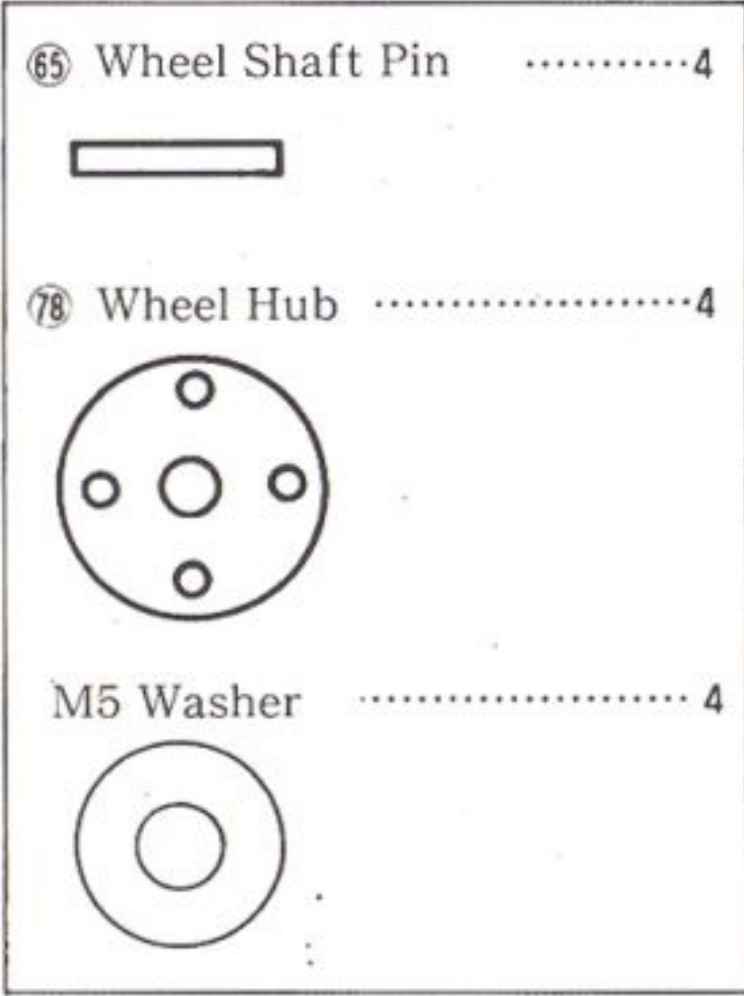
M2x10 RH Screw 1



Put them gently so that the terminals will not bend.



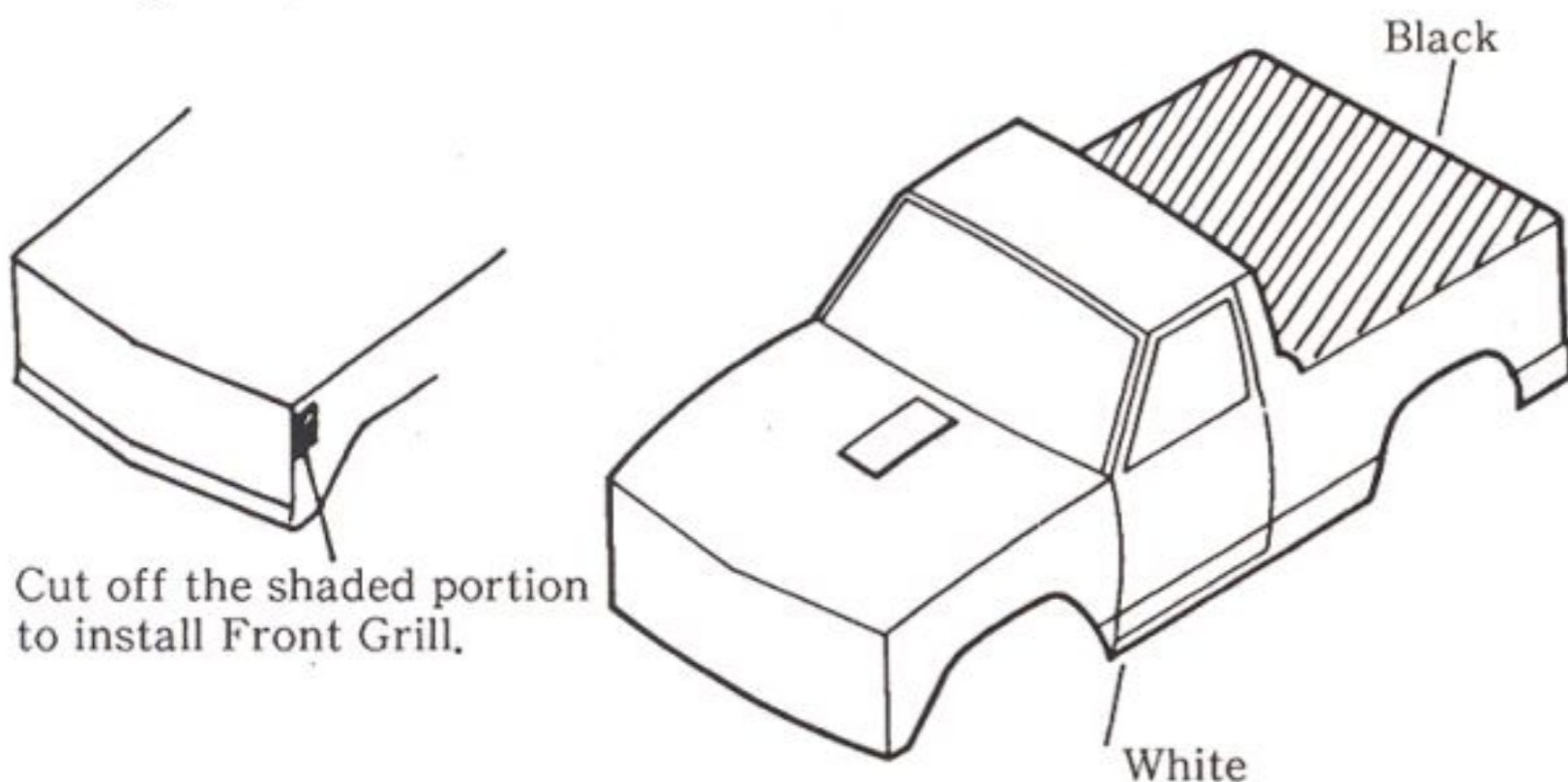
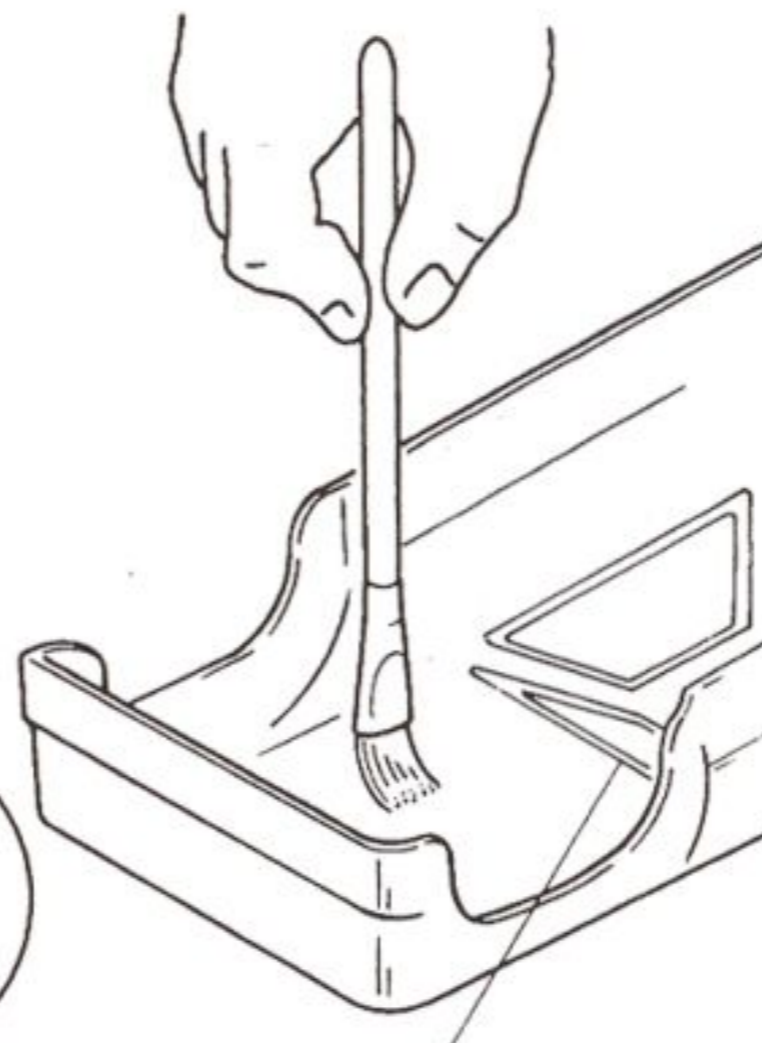
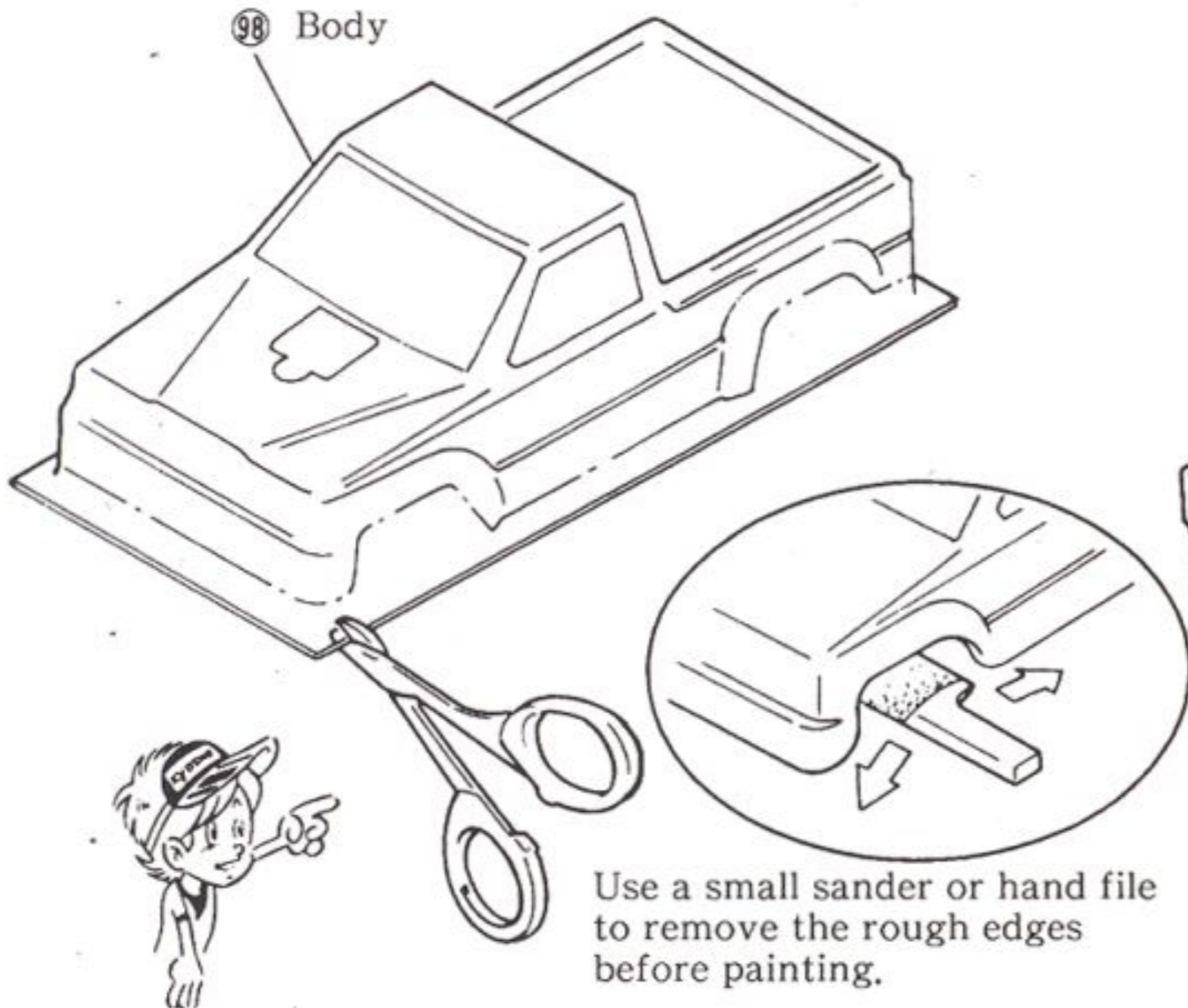
27 INSTALLATION OF TIRE



Align the groove on the hub with the pin and insert the hub onto the shaft. Mount the hub over the pin.

28 CUTTING AND PAINTING BODY

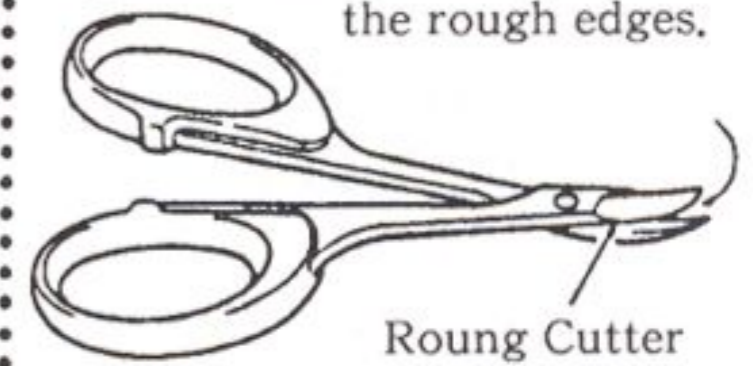
Carefully remove the shaded area along the cut-out line as shown.



Round Cutter & Sander

KYASHO No.1829

These special Lexan Scissors make trimming bodies a breeze and the sander comes in handle for finishing the rough edges.



Micron Line Tape

KYASHO

No.1841...1mm
No.1842...1.5mm
No.1843...2.5mm

Color

White, Red, Yellow
Blue, Green, Black



Polyca Color Paint

KYASHO No.2230

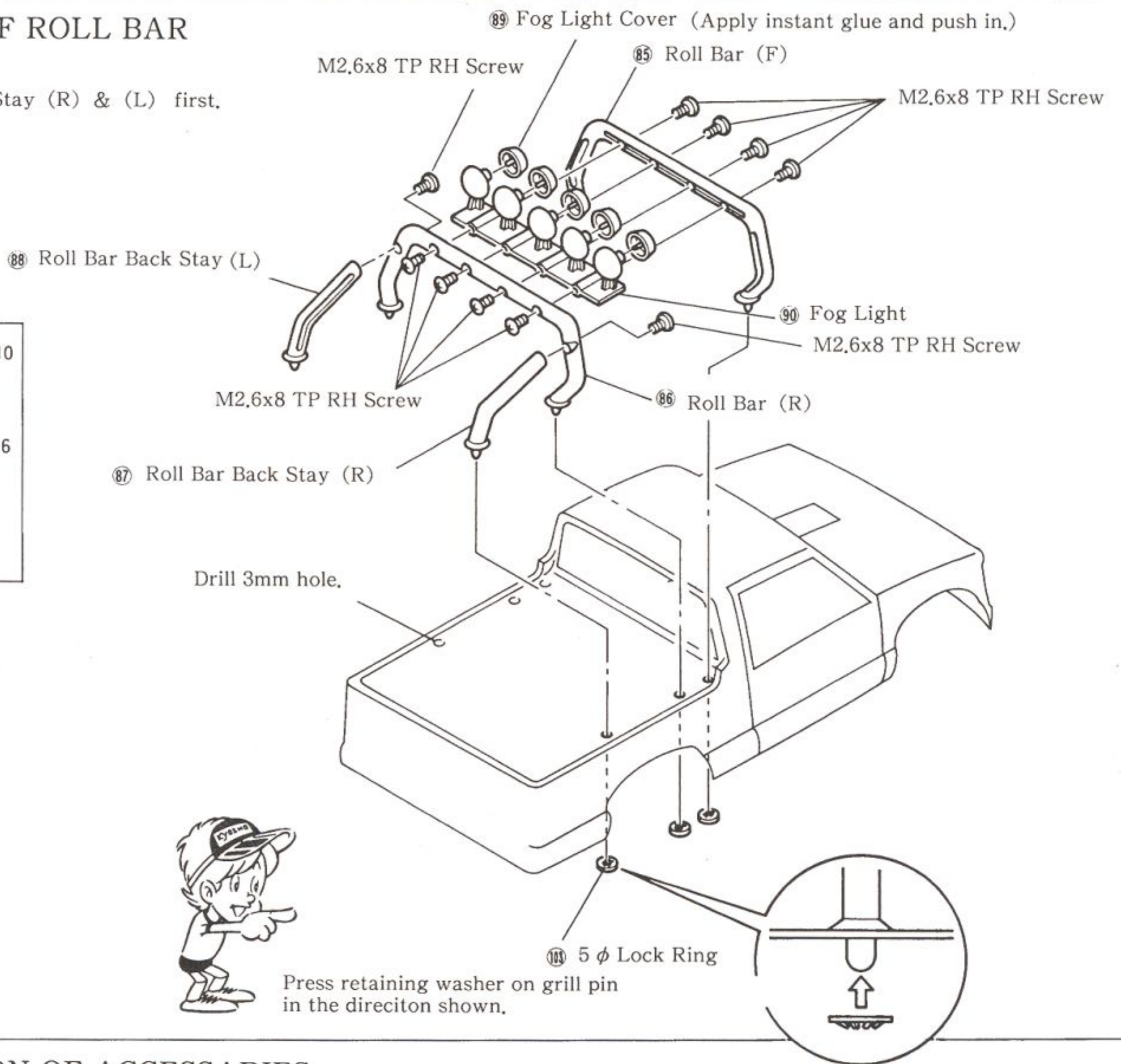
Color

White, Red, Yellow
Green, Blue, Skyblue
Orange, Black, Violet
F.Pink, F.Orange and
Yellow Green

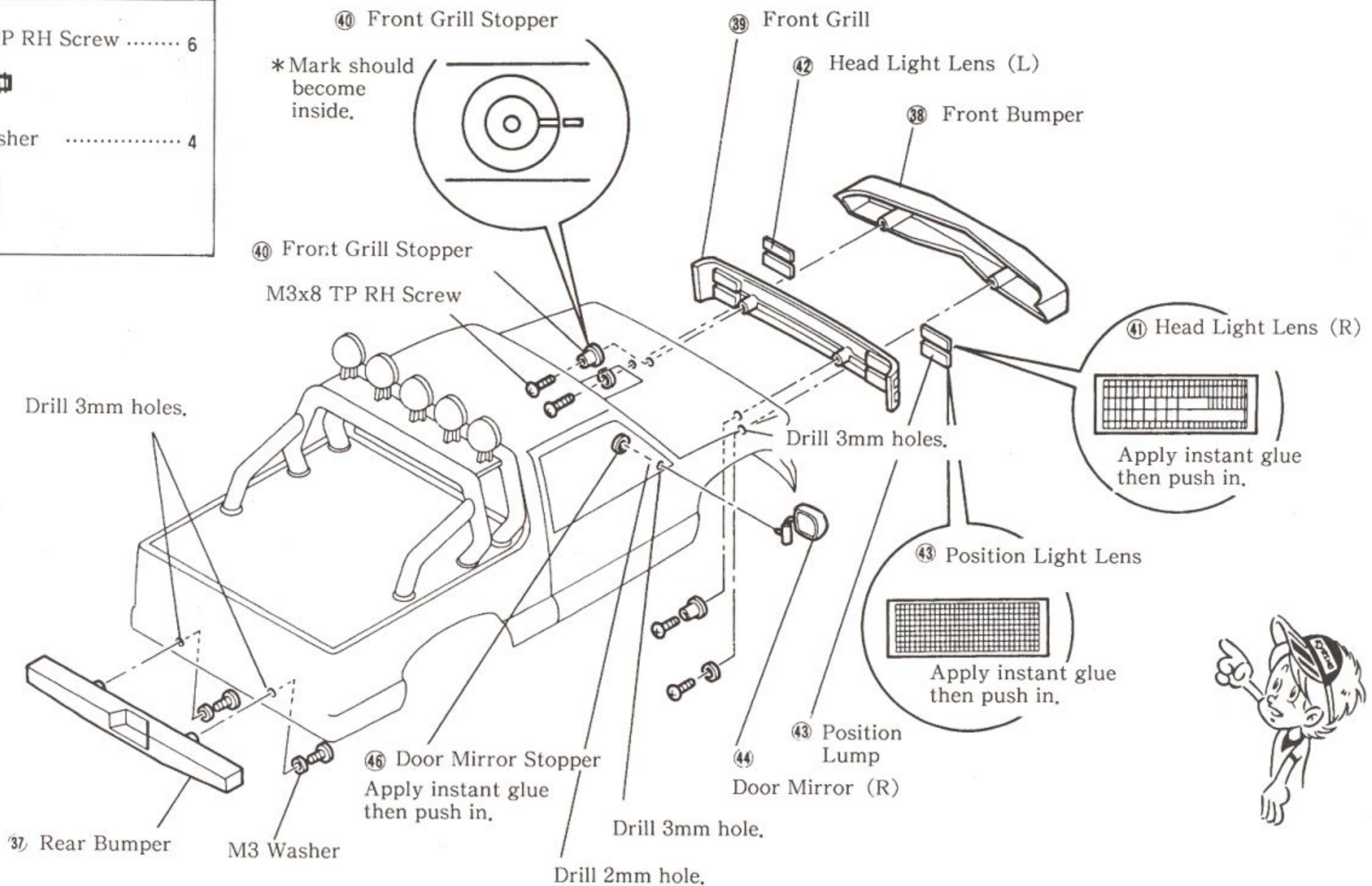
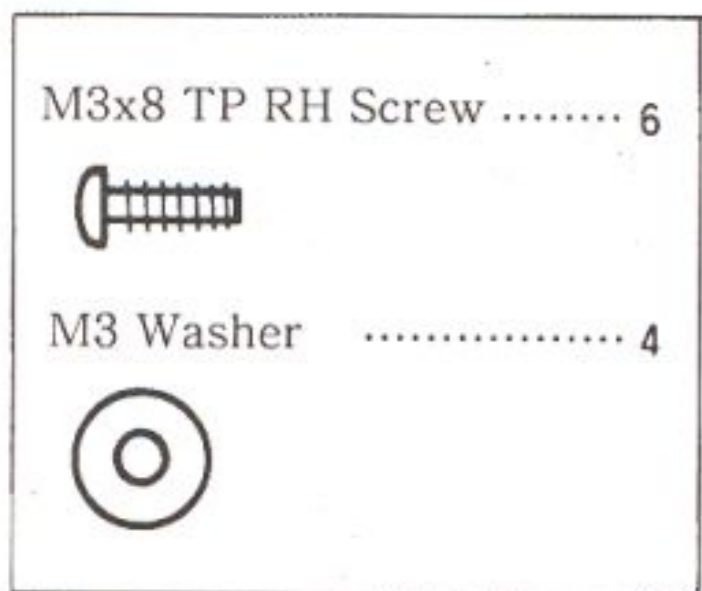


29 ASSEMBLY OF ROLL BAR

*Install Roll Bar Back Stay (R) & (L) first.



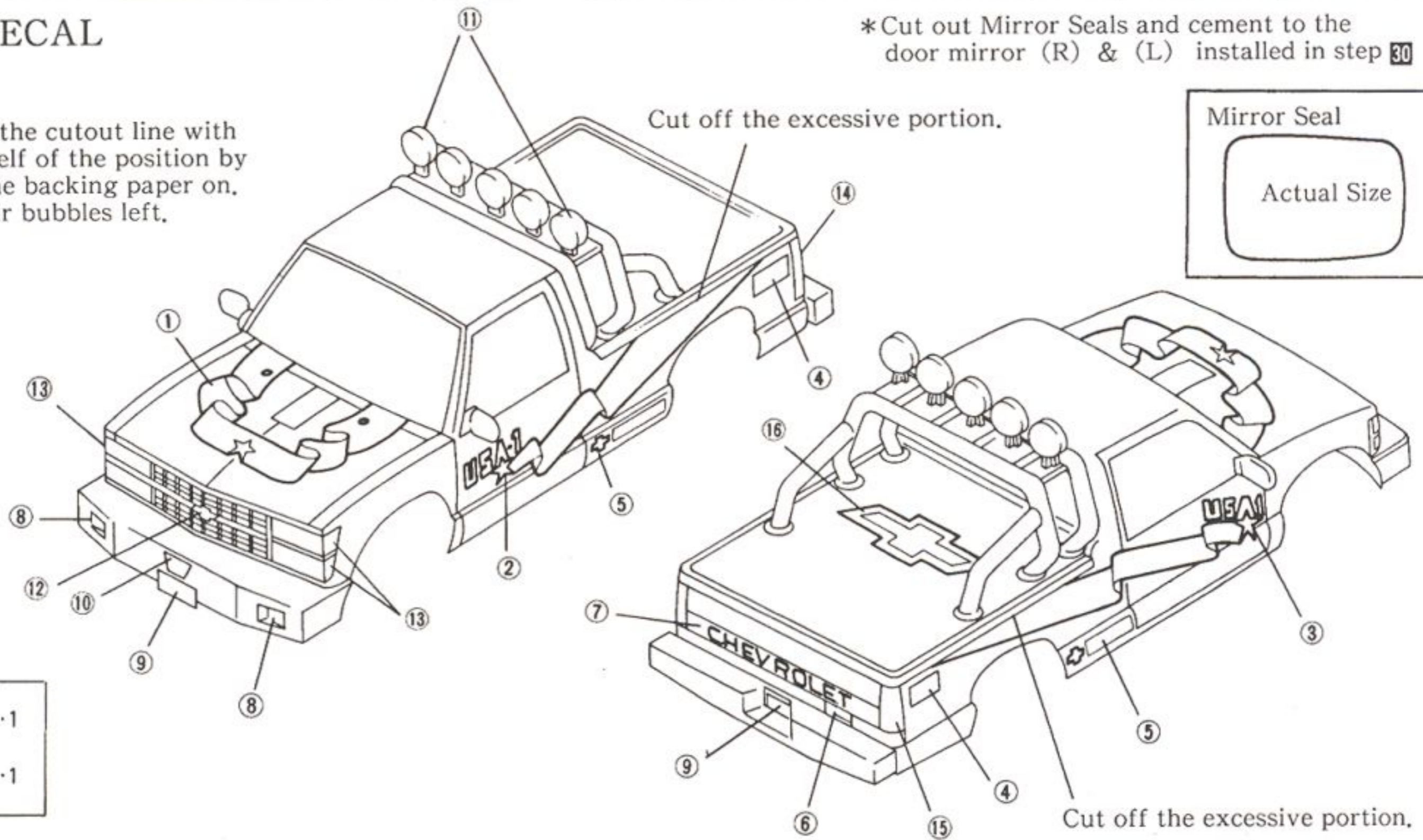
30 INSTALLATION OF ACCESSORIES



31 APPLYING DECAL

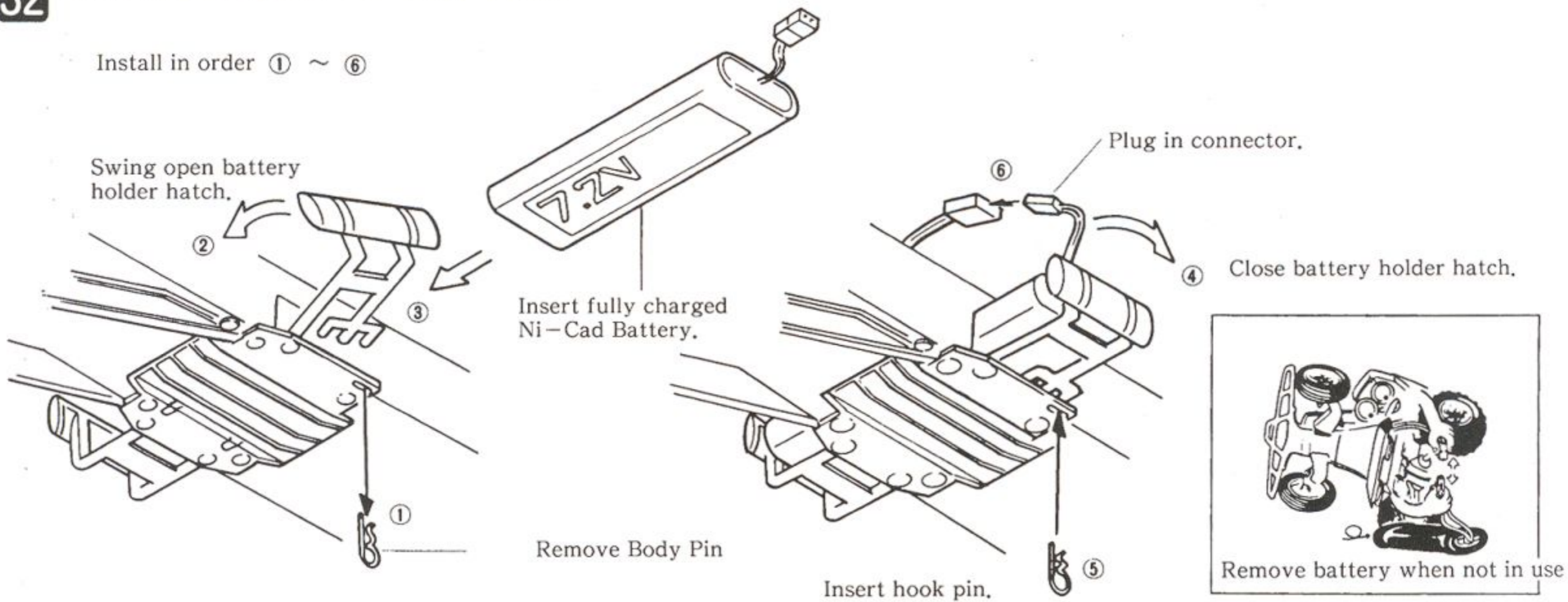
Cut off the decals along the cutout line with scissors. Convince yourself of the position by trying the decals with the backing paper on. Be careful not to have air bubbles left.

*Cut out Mirror Seals and cement to the door mirror (R) & (L) installed in step 30



32 INSTALLATION OF BATTERY

Install in order ① ~ ⑥

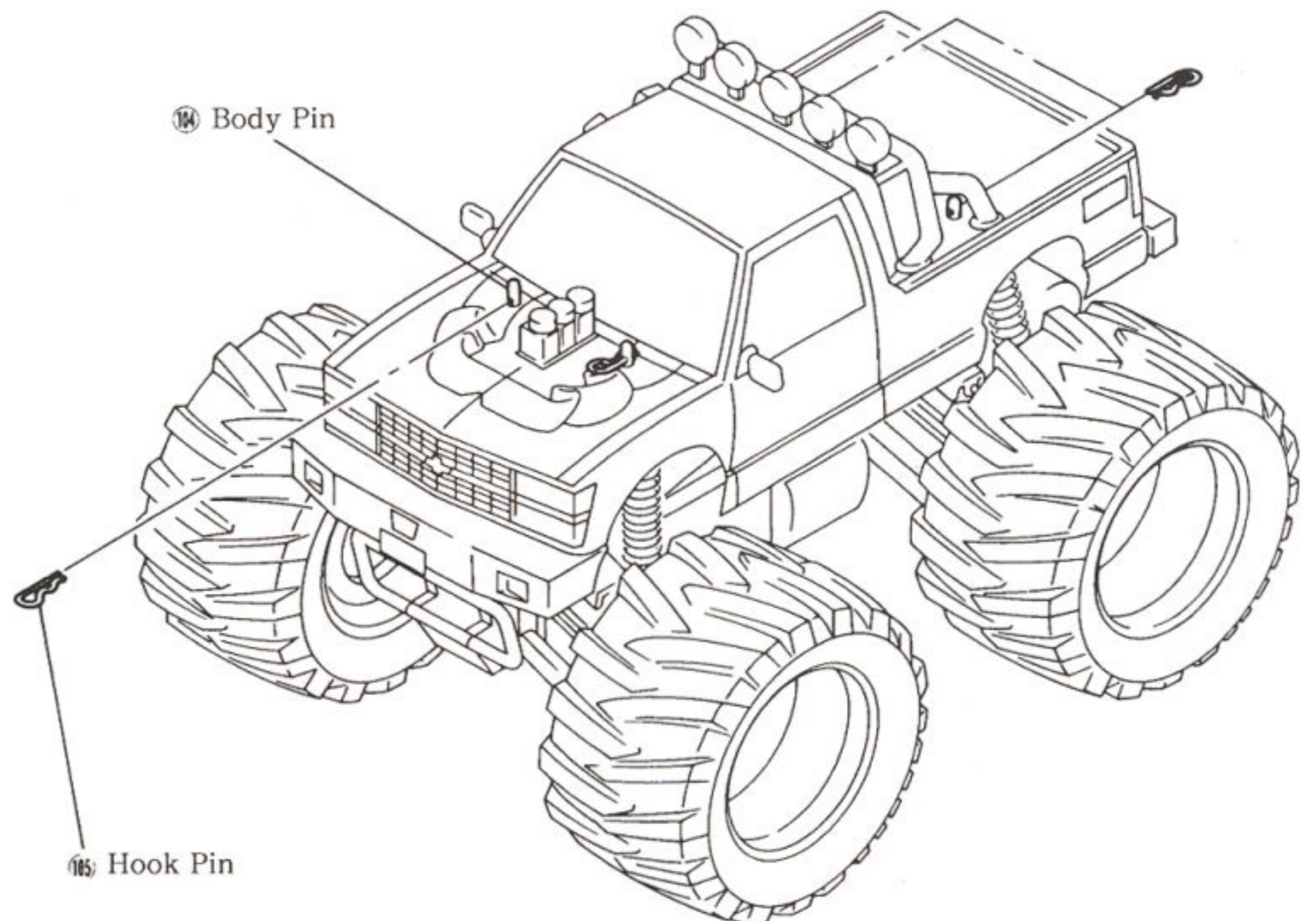


33 BODY MOUNTING

114 Body Pin 4



115 Hook Pin 4

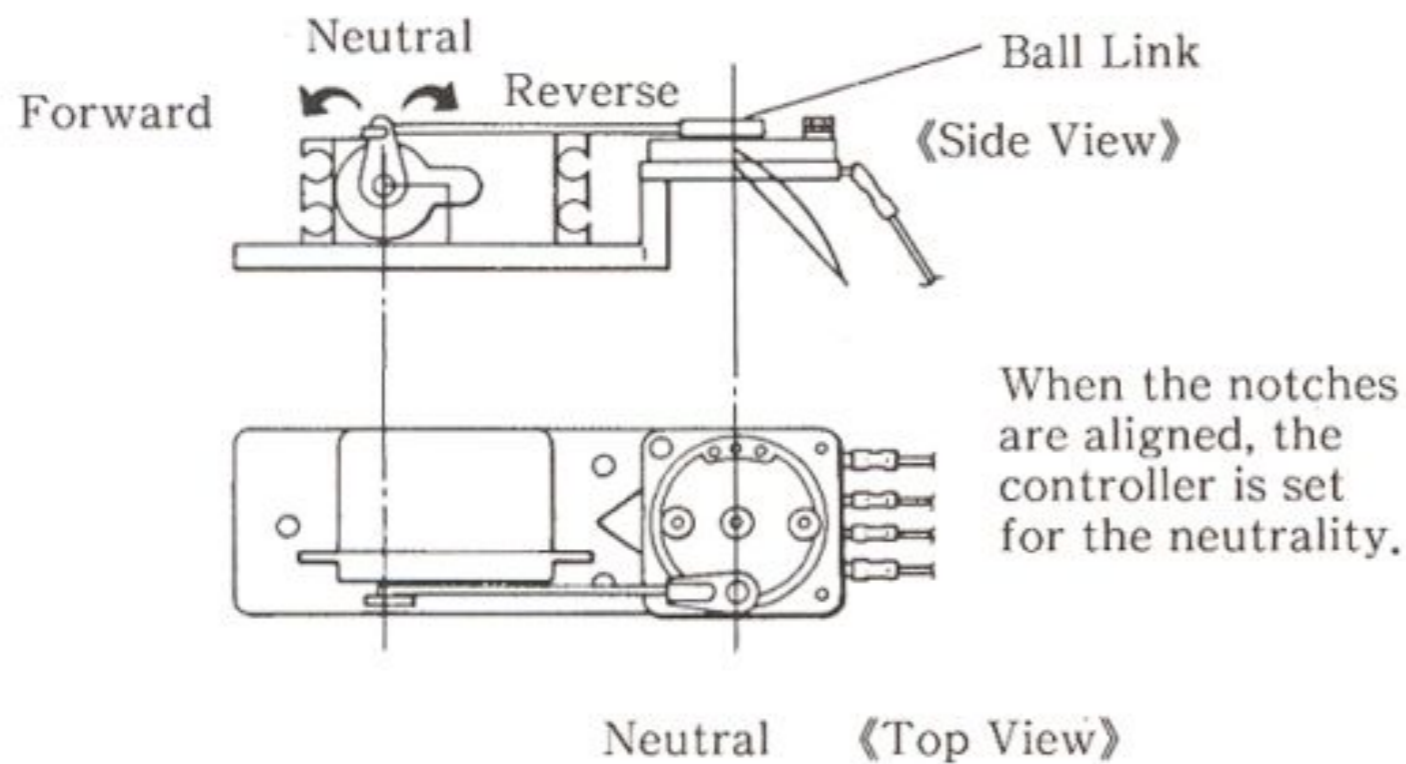


*Put the hook pins under body before mounting.

BASIC ADJUSTMENT GUIDE FOR THE U.S.A.-1

《Speed Controller Adjustment》

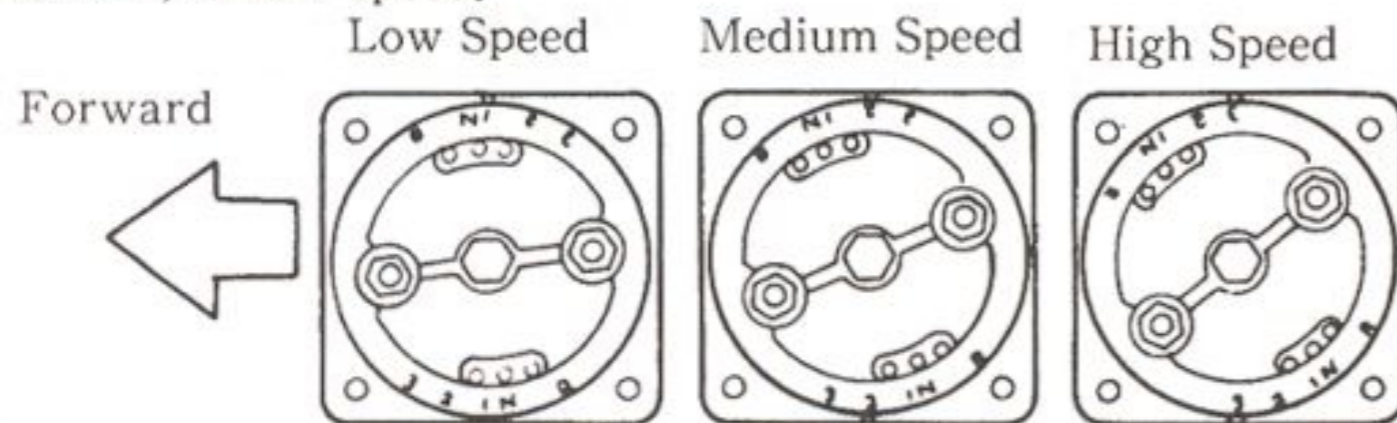
Plug in the connector from the speed controller to the 7.2V Ni-Cad battery and operate your radio. While adjusting, the wheel of car may start to run, so keep your model upon a small box to make the wheels aloof from the ground.



By turning the ball end, adjust the speed controller to the position shown in the drawing above (motor stopped position) with control stick and the trim lever in neutral.

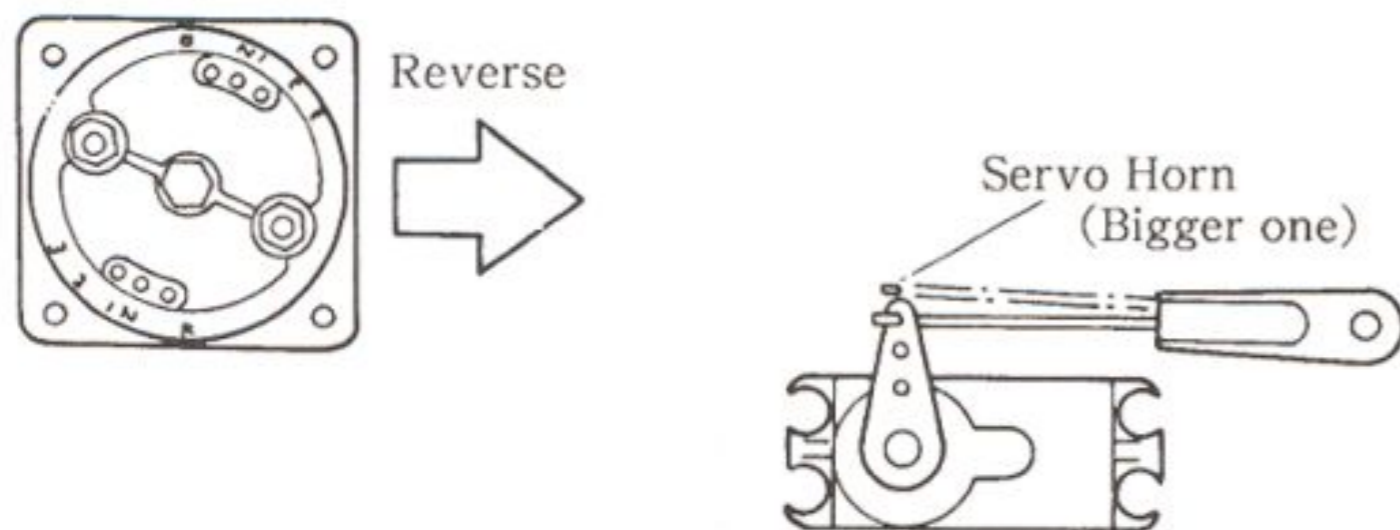
① High Speed Adjustment

When the control stick on your radio is pushed forward all the way, the controller should be activated and the motor should run at a high speed. By the motor sound, you can tell if the motor is running high, medium, or low speed.



② Reverse Adjustment

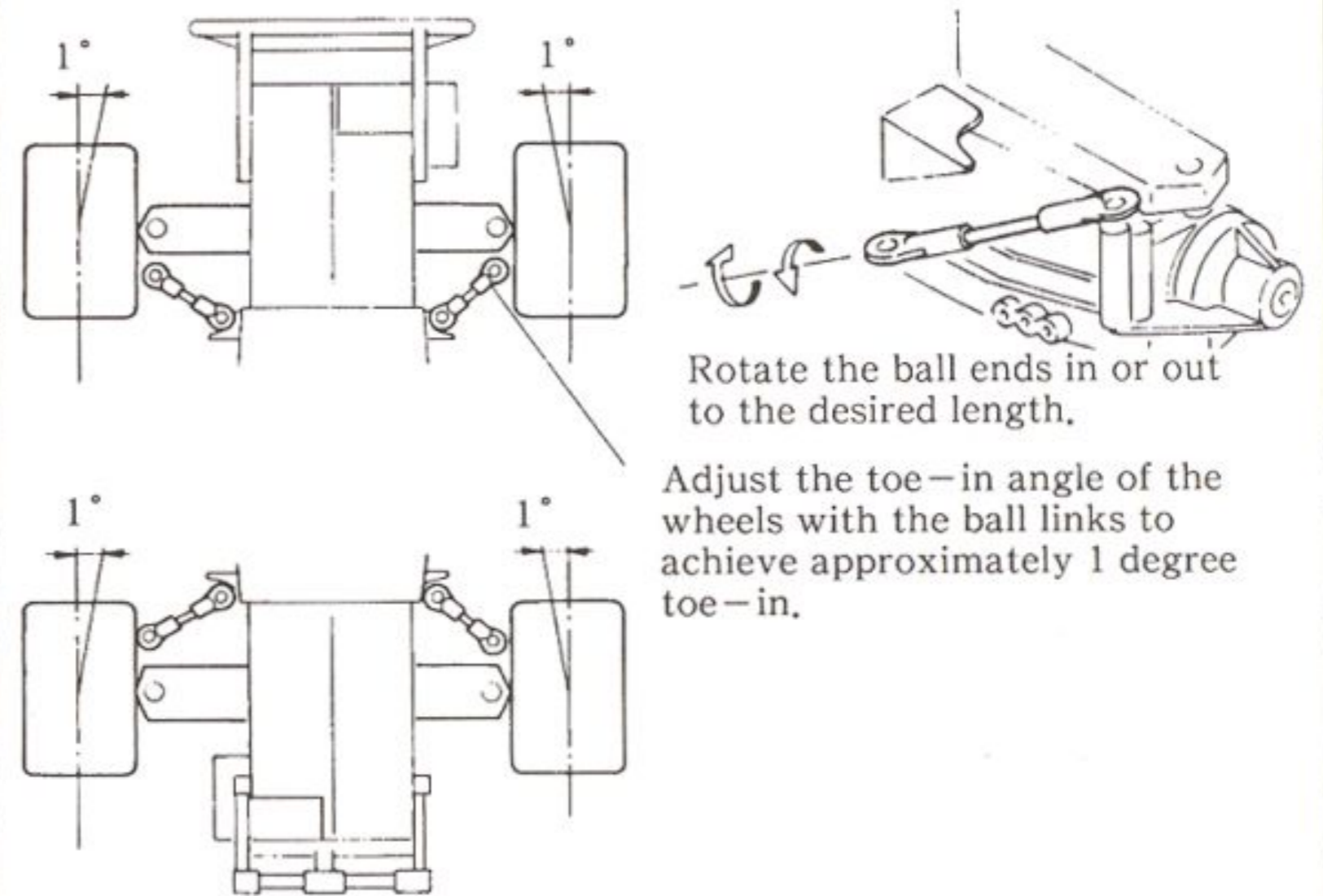
Pull the control stick and control horn should operate as illustrated in the diagram below. The motor should run in reverse.



If the movement described in ① and ② are not achieved, replace the servo horn with a bigger one.

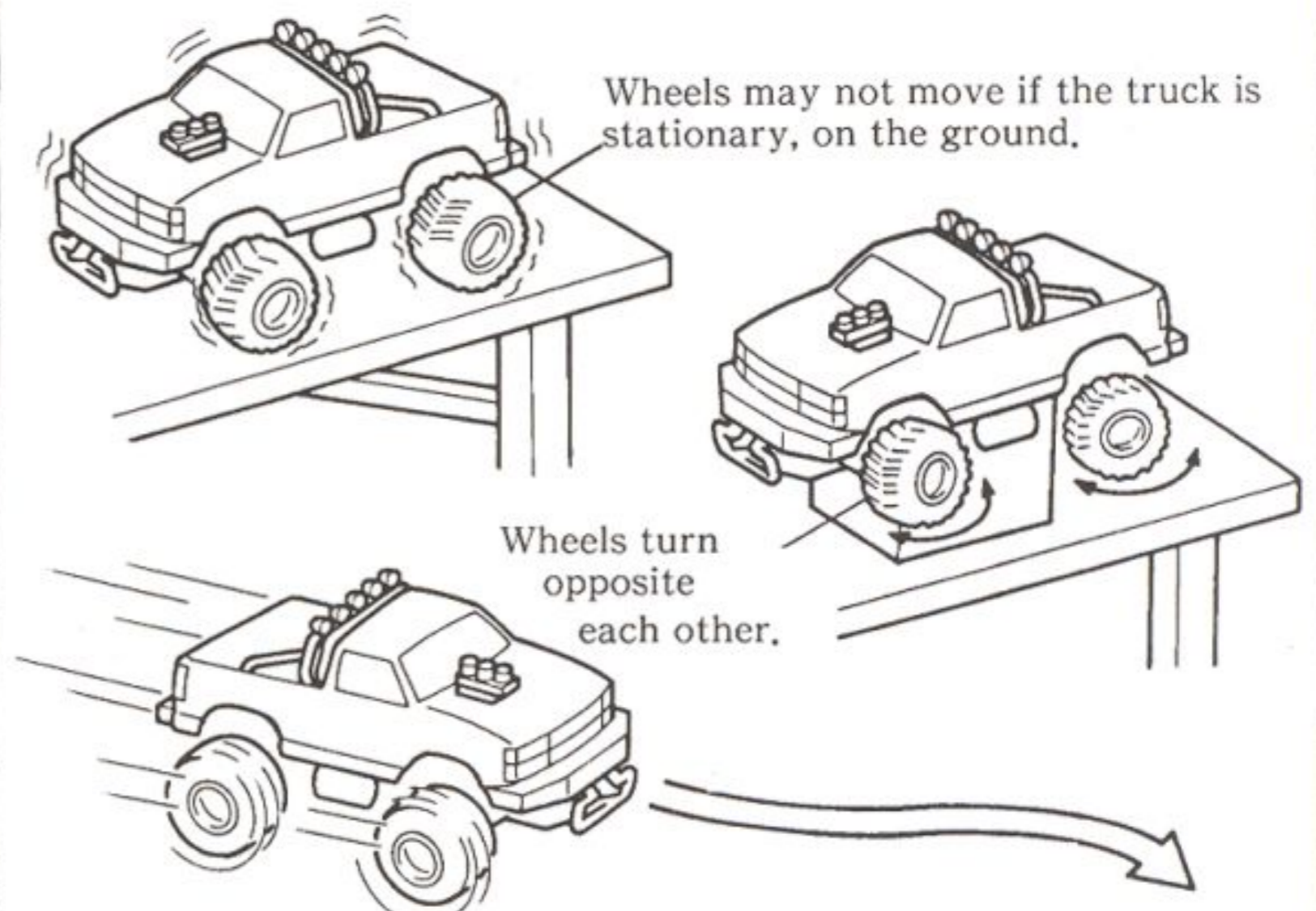
《Toe-in Adjustment》

Proper toe-in adjustment is necessary if the U.S.A.-1 is expected to perform properly and drive in a straight line without any wandering tendencies.



《Steering Adjustment》

To check wheel alignment put the truck on a box to allow wheels to move freely. Then operate the throttle and steering controls and make any adjustments.

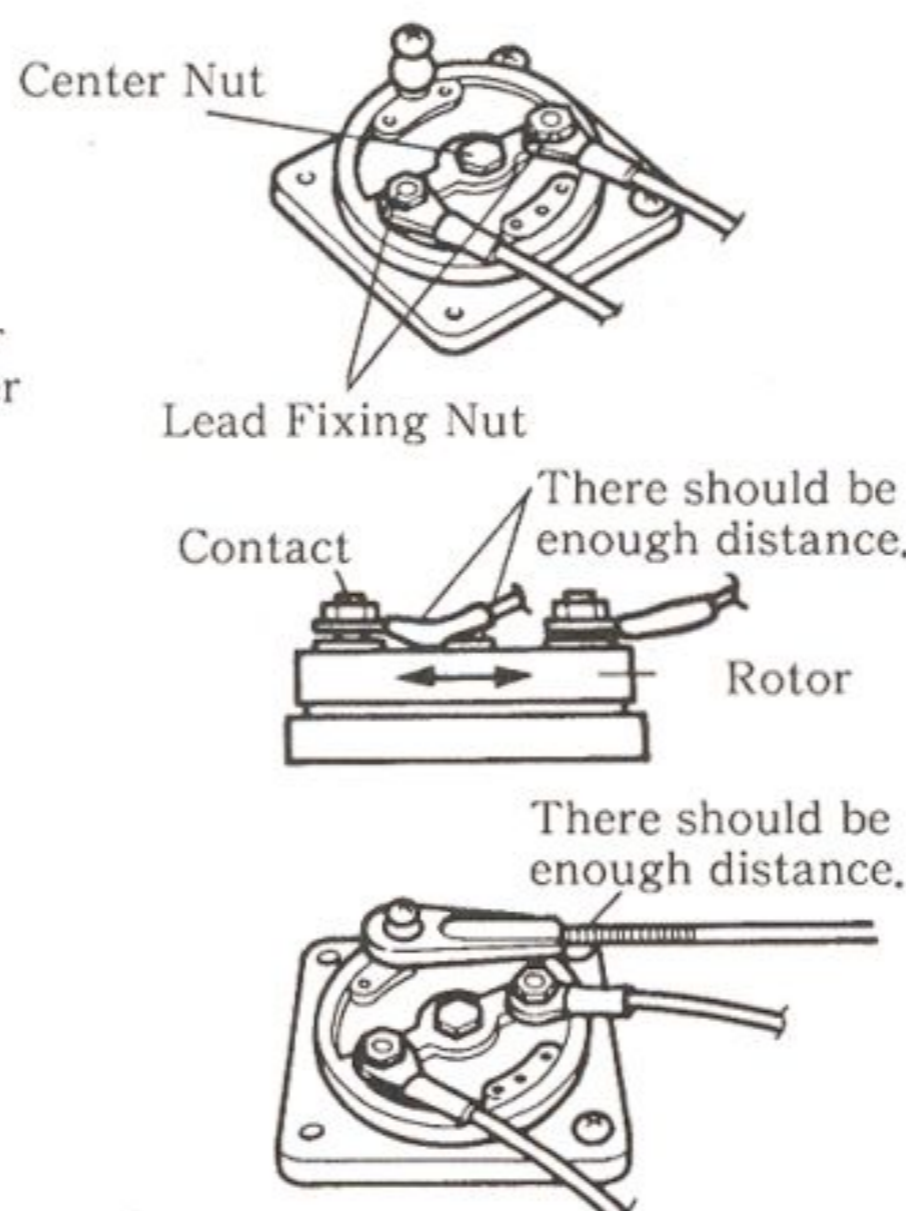


*Do not run the U.S.A.-1 for long periods of time in the slower speeds or in reverse as this may cause overheating damage to the speed control resistor.

MAINTENANCE OF ROTARY SPEED CONTROLLER

《Checking Speed Controller》

- ① Check to see if the center nut or the lead fixing nuts are not loosen.
- ② Check to see if the lead cords do not rub against the rotor or the center nut when the speed controller is in operation, as a result the points on the controller may be out of contact.
- ③ Or the lead may come in contact with the body and causing the same trouble as stated above in ②.
- ④ Check to see if the speed control rod does not rub against a lead fixing nut.



《Maintenance》

- ① Remove the center nut from time to time to check to see if anything in the controller. Clean it, if any.
- ② Make it a rule to check all points from ① to ④ (Checking Speed Controller), before running the car.

*If you notice the motor running intermittently or unsmoothly, examin those four checking points. If you find nothing defective, the controller may be worn out. (In such a case, the surface of the controller plate becomes rough.)

PARTS LIST

Key No.	Parts Name	Q'ty	Key No.	Parts Name	Q'ty	Key No.	Parts Name	Q'ty
①	Rotary Speed Controller	1	⑤①	Diff. Carrier	2	⑩⑩	Decal	1
②	Wheel Shaft	4	⑤②	Diff. Bevel Gear	6	⑩①	Mirror Seal	1
③	Mega Motor Monster Truck	1	⑤③	Z Block Parts	1	⑩②	Grommet	2
④	Mega Motor Monster Truck (R)	1	⑤④	5.8 φ Ball Link	20	⑩③	5 φ Lock Ring	6
⑤	Pinion Gear	2	⑤⑤	Idle Gear Shaft	2	⑩④	Body Pin	5
⑥	Resistor	1	⑤⑥	idle Gear Shaft Pin	2	⑩⑤	Hook Pin	4
⑦	Shock Spring	8	⑤⑦	Diff. Joint Shaft	2	⑩⑥	E Ring (E4)	8
⑧	5.8 φ Pillow Ball	20	⑤⑧	Counter Gear Shaft	2		TP RH Screw M2 × 6	18
⑨	Gear Box (A)	2	⑤⑨	Sus. Shaft (A)	4		" M2 × 10	1
⑩	Gear Box (B)	2	⑥⑦	Sus. Shaft (B)	4		" M2.6 × 8	10
⑪	Knuckle Arm (A)	2	⑥⑧	Sus. Shaft (C)	4		" M3 × 8	49
⑫	Knuckle Arm (B)	2	⑥⑨	M3 Rod (for Tie Rod)	4		" M3 × 12	52
⑬	Rear Hub Carrier (Upper)	2	⑥⑩	M3 Rod (for Upper Sus. Arm)	4		" M3 × 16	16
⑭	Rear Hub Carrier (Lower)	2	⑥⑪	Shock Shaft	8		RH Screw M2 × 10	2
⑮	Front Hub Carrier R (Upper)	1	⑥⑫	Wheel Shaft Pin	4		" M3 × 8	5
⑯	Front Hub Carrier L (Upper)	1	⑥⑬	Shock Tower	4		" M3 × 12	12
⑰	Front Hub Carrier R (Lower)	1	⑥⑭	4 φ x8 Metal Bushing	8		" M3 × 25	8
⑱	Front Hub Carrier L (Lower)	1	⑥⑮	5 φ x10 Metal Bushing	8		" M3 × 28	4
⑲	Knuckle Arm Washer	8	⑥⑯	8 φ x12 Metal Bushing	4		" M3 × 60	1
⑳	Counter Gear Bushing	2	⑦①	4.5 φ Ball	1		Set Screw M3 × 3	2
㉑	Half Shaft	4	⑦②	4.5 φ Ball Link	1		Nut M2	1
㉒	Main Frame	1	⑦③	Speed Control Rod	1		" M3	11
㉓	Cover	1	⑦④	Double Sided Tape	1		Flange Nut M3	14
㉔	A Block Parts (A3,4,5A,5B,6,9,10)	2	⑦⑤	Rubber Pipe	4		Nylon Nut M3	9
㉕	C Block Parts	4	⑦⑥	Motor Cord	1		" M4	4
㉖	E Block Parts	1	⑦⑦	Resistor Cover	1		Washer M3	20
㉗	Front Guard (A)	1	⑦⑧	Resistor Base	1		" M5	4
㉘	Front Guard (B)	1	⑦⑨	Wheel Hub	4		" M8	4
㉙	Front Guard (C)	1	⑦⑩	Grease	2		Cross Wrench	1
㉚	Front Guard Bar	1	⑧①	Torque Rod	1		Hex Key (1.5mm)	1
㉛	Front Body Mount	1	⑧②	Vinyl Tie Wrap	1			
㉜	Rear Body Mount	1	⑧③	Battery Hatch	1			
㉝	Air Cleaner Cover	3	⑧④	Window	1			
㉞	Air Cleaner	3	⑧⑤	Motor Cover	1			
㉟	Carbrator	1	⑧⑥	Roll Bar (F)	1			
㊱	Carbrator Base	1	⑧⑦	Roll Bar (R)	1			
㊲	Rear Bumper	1	⑧⑧	Roll Bar Back Stay (R)	1			
㊳	Front Bumper	1	⑧⑨	Roll Bar Back Stay (L)	1			
㊴	Front Grill	1	⑧⑩	Fog Light Cover	5			
㊵	Front Grill Stopper	2	⑧⑪	Fog Light	1			
㊶	Head Light Lens (R)	1	⑧⑫	Antenna Holder	1			
㊷	Head Light Lens (L)	1	⑧⑬	Servo Mount	1			
㊸	Position Light Lens	2	⑧⑭	Upper Sus. Arm	4			
㊹	Door Mirror (R)	1	⑧⑮	Lower Sus. Arm	4			
㊺	Door Mirror (L)	1	⑧⑯	A Block Parts (A1,2)	2			
㊻	Door Mirror Stopper	2	⑧⑰	Tire	4			
㊼	Diff. Joint	4	⑧⑱	Wheel	4			
㊽	Diff. Side Gear	4	⑧⑲	Body	1			
㊾	Idle Gear	2		Instruction Manual	1			
㊿	Counter Gear	2	⑧⑳	Antenna Pipe	1			

PURCHASING PARTS FOR YOUR KIT

You can purchase replacement and optional parts for your kit. All of the parts identified by key numbers are usually not available singularly, but we offer these parts in convenient parts "packs" which can be purchased separately. To figure out which parts pack you need, find the key number for that part within the manual.

Then consult our parts pack guide below. When referring to the parts you need, always use the Parts Pack Numbers. For instance, if you need an Wheel Shaft (key no.2) ask your dealer for Kyosho Parts Pack DA-26 (Wheel Shaft) .

No.	Parts Name	Key No. & Q'ty
DA-1	Gear Box Set	⑨ ⑩ × 1
DA-3	Front Guard Set	⑳ ㉑ ㉒ ㉓ ㉔ ㉕ × 1
DA-8	A Block Parts	㉖ ㉗ × 1
DA-9	E Block Parts	㉘ × 1
DA-12	Motor Cord	㉙ × 1
DA-18 (DA-2)	Frame Set	㉚ ㉛ ㉜ ㉝ × 1
DA-19	Carbrator	㉞ ㉟ × 3 ㊱ ㊲ × 1
DA-20	Sus. Shaft Set	㊳ ㊴ ㊵ × 2
DA-21	Rod Set	㊶ ㊷ × 2 ㊸ ㊹ × 4 ㊺ × 1
DA-22	Knuckle Arm	㊻ ㊼ × 2
DA-23	Hub Carrier Set	㊽ ㊾ × 2 ㊿ ① ② ③ × 1
DA-24	Half Shaft Set	④ × 8 ⑤ × 2 ⑥ × 4 ⑦ × 1
DA-25	C Block Parts (Black)	⑧ × 1
DA-26	Wheel Shaft	⑨ × 2
DA-27	Sus. Arm Shaft Set	⑩ ⑪ × 2
DA-28	Wheel	⑫ × 2
DA-29	Tire	⑬ × 2
DA-30	Accessory Set	⑭ ⑮ ⑯ ⑰ ⑱ ⑲ ㉀ ㉁ ㉂ ㉃ × 2
DA-31	Roll Bar Set	㉄ ㉅ ㉆ ㉇ ㉈ ㉉ ㊰ ㊱ × 1 ㊲ × 5
DA-32	Shock Tower	㊳ × 2
DA-33	Metal Bushing	㊴ ㊵ × 8 ㊶ × 4
DA-34	Body U.S.A. - 1	㊷ × 1
DA-35	Decal U.S.A. - 1	㊸ ㊹ × 1
DA-36	Screw Set	㊺ × 2 ㊻ × 6 ㊼ × 8 Screws,Nuts,Wrench
BB-6	Gear Set	㊽ ㊾ × 2 ㊿ ① ② × 1 ③ × 3
BB-8	5.8 φ Ball Link Set	④ × 12 ⑤ × 12
BB-37	Shaft Pin	⑥ × 10
BB-39	Gear Shaft Set	⑦ ⑧ ⑨ × 1 ⑩ × 2
BB-42	Small Parts	⑪ ⑫ ⑬ ⑭ ⑮ ⑯ ⑰ ⑱ × 1
BB-43	Wheel Hub	⑲ × 4
PG-37	Motor Cover	⑳ × 2
EP-22	Hook Pin	㉑ × 5

No.	Parts Name	key No. & Q'ty
1889	Body Pin	㉒ × 5
1831	Rotary Controller	㉓ × 1
1819	Resistor	㉔ ㉕ ㉖ × 1
DA-37	Pinion Gear (11T)	㉗ × 1 M3×3 Set Screw× 1
2477	Mega Motor Monster Truckf	
2477R	Mega Motor Monster Truck (R)	
Optional Parts		
1903	Ball Bearing (φ4×φ8)	2 pcs.
1901	Ball Bearing (φ5×φ10)	2 pcs.
PI-15	Ball Bearing (φ8×φ12)	2 pcs.
W5002	Pressure Shock (L)	Constant Volume Type 2 sets.
W5004	Adjustable Shock (L)	Easy Adjusting 2 sets.
1951	Shock Oil (S.M.H)	For Oil Shock
OT38	Silicone Grease	For Gear & Metal Bushing
1883	Frontier Hobby Oil	
SC40	Motor Cover	Protect from dirt
NB13	Light Set	Light, Battery Box
1953	Silicone Oil (S)	For Oil Shock
1954	Silicone Oil (M)	"
1955	Silicone Oil (H)	"

The following optional parts are required to make "U.S.A. - 1" perfect with ball bearings.

No.1903 Ball Bearing ... 4 sets.

No.1901 Ball Bearing ... 4 sets.

No.PI-15 Ball Bearing ... 2 sets.

The Super Hobby



This products is not to be sold in the United States. If you have purchased this product in the United States, please contact Kyosho U.S.A. phone number (217) 398-3630.

PRINTED IN JAPAN