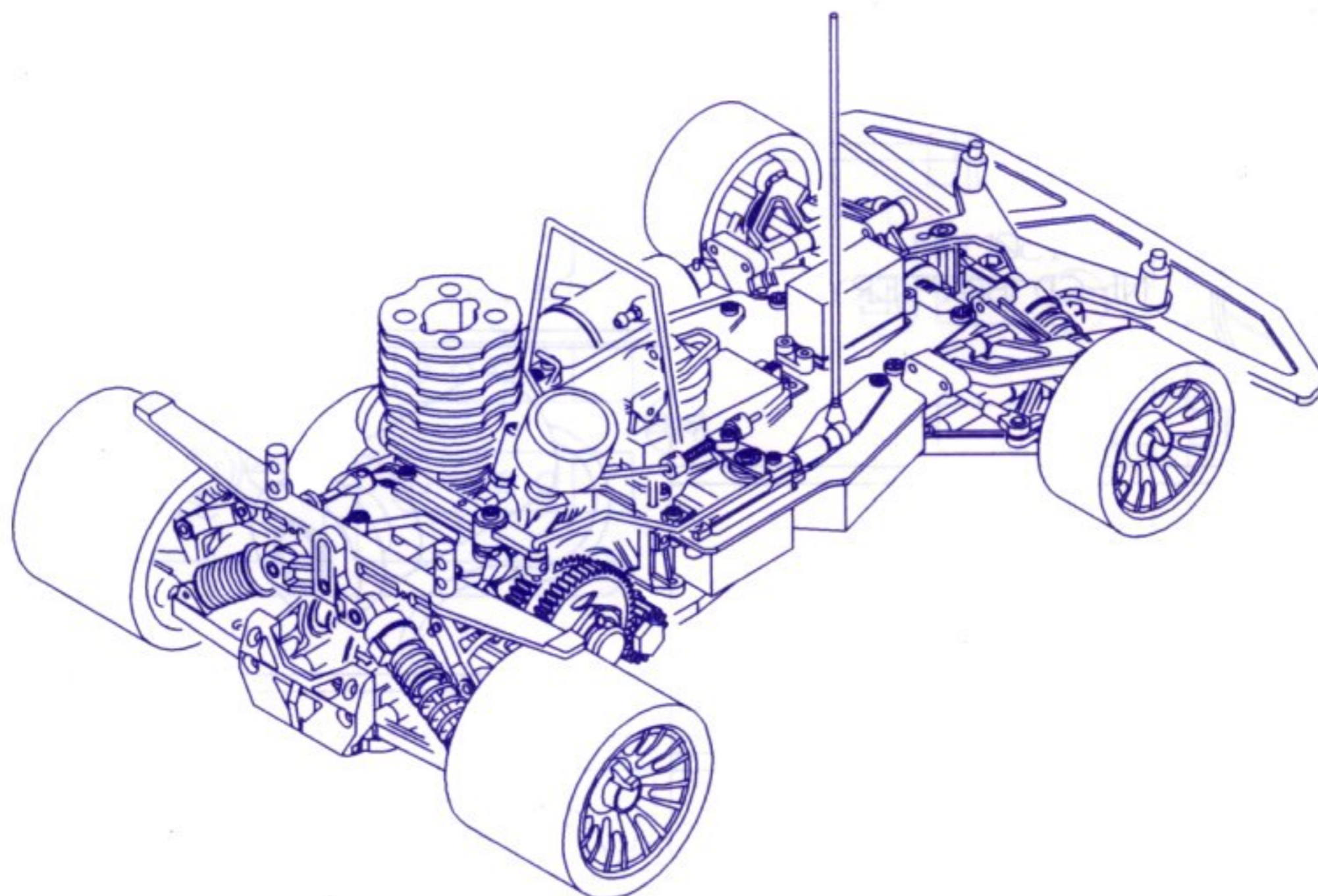


1/10 SCALE ON-ROAD GAS POWERED RACING CAR

ATTACK-MX4

INSTRUCTION MANUAL

KIT NO1001



- AUTOMATIC 2 SPEED GEAR MISSION
- HIGH POWER CLUTCH (PRO)
- FRONT ADJUSTABLE ANTI-RPLL BAR AND REAR STABILIZER
- ONE TOUCH ON/OFF FRONT AND REAR WHEEL
- 75CC FUEL TANK FILTER-EQUIPPED
- HIGH FIDELITY ADJUSTABLE OIL DAMPER

TECHNICAL DATA	
● LENGTH	----- 405MM
● WIDTH	----- 243MM
● WHEEL BASE	----- 275MM
● TREAD (F)	----- 194MM
(R)	----- 190MM
● WHEEL DIAMETER(F) (R)	---- 54MM
● GEAR RATIO -1	----- 6.72 : 1
-2	----- 5.06 : 1
● WEIGHT	----- 2150G

NEO

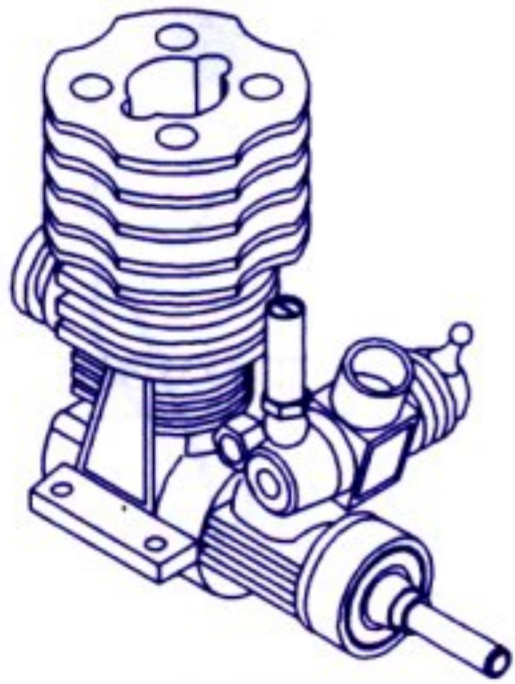
TEST WAY MODEL ENTERPRISE CO. LTD.
NO. 107 CHUNG SHING N STREET, SAN CHUNG CITY
TAIPEI HSIEN, TAIWAN, R.O.C
TEL:886-2-9958050 FAX:886-2-9958043

NOTICE THE FOLLOWING ITEMS ARE NEEDED FOR COMPLETION OF THE NEO RACING CAR
 THEY ARE NOT INCLUDED WITH THIS KIT, AND SHOULD BE OBTAINED FROM
 YOUR LOCAL HOBBY SHOP

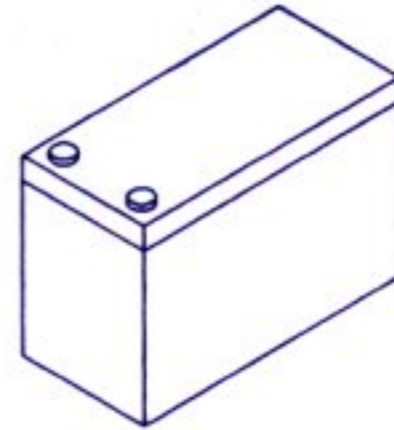
BE SURE TO READ THE INSTRUCTION MANUAL BEFORE ASSEMBLY

ADDITIONAL ITEMS NEEDED FOR COMPLETION

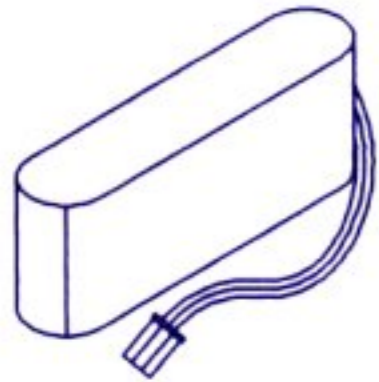
ADDITIONAL ITEMS NEEDED FOR STARTING ENGINE



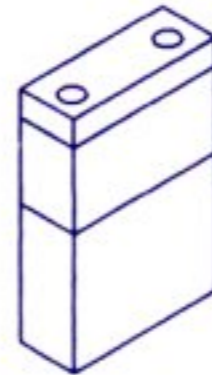
15 REAR EXHAUST
 RACING ENGINE



12V BATTERY
 FOR STARTER



5N 450MAH
 NI-CD BATTERY



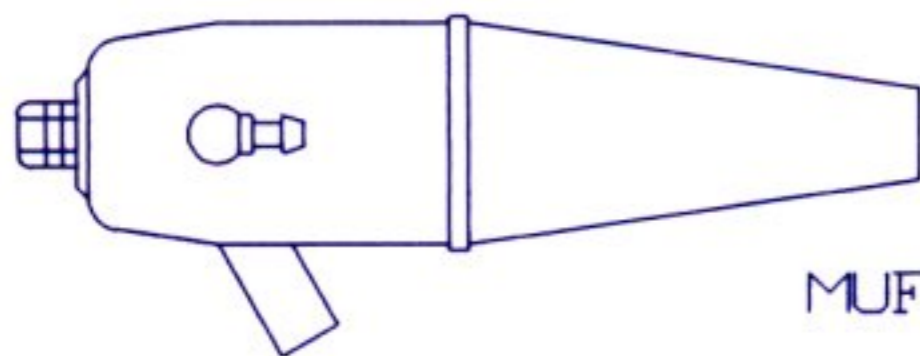
1.5V BATTERY FOR
 GLOW PLUG LGNITER



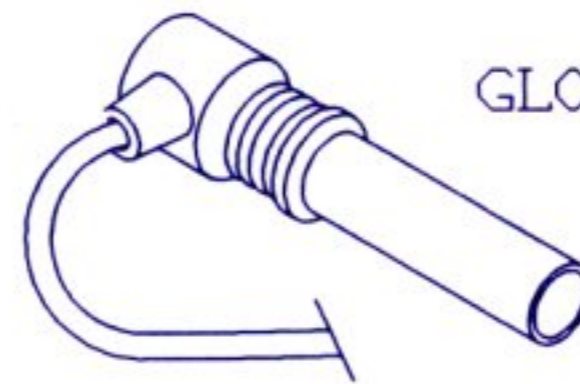
EXHAUST PIPE



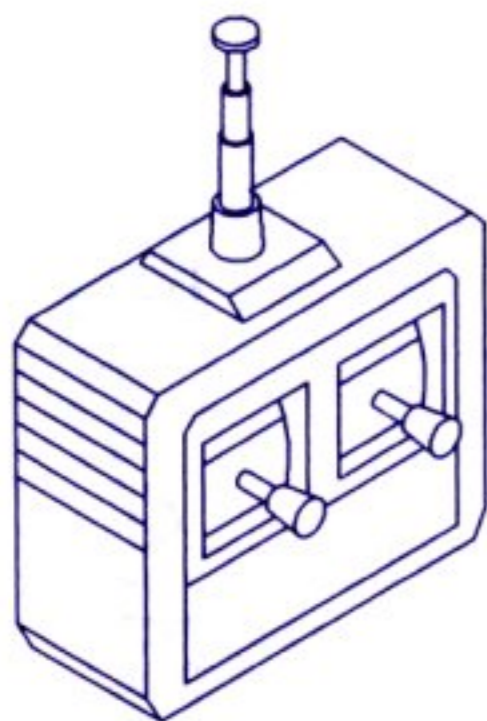
STARTER



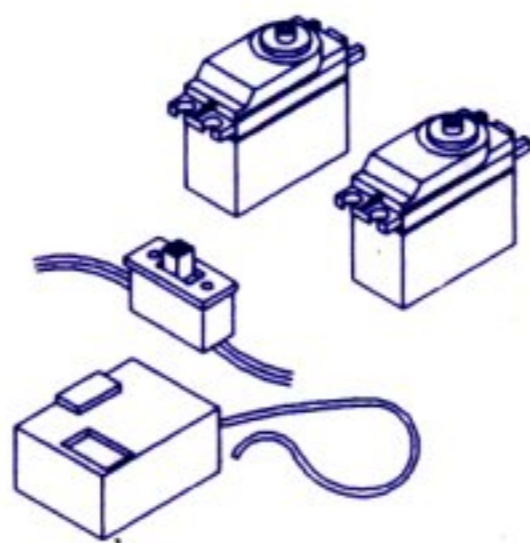
MUFFLER



GLOW PLUG LGNITER



2 CHANNEL
 RADIO SYSTEM

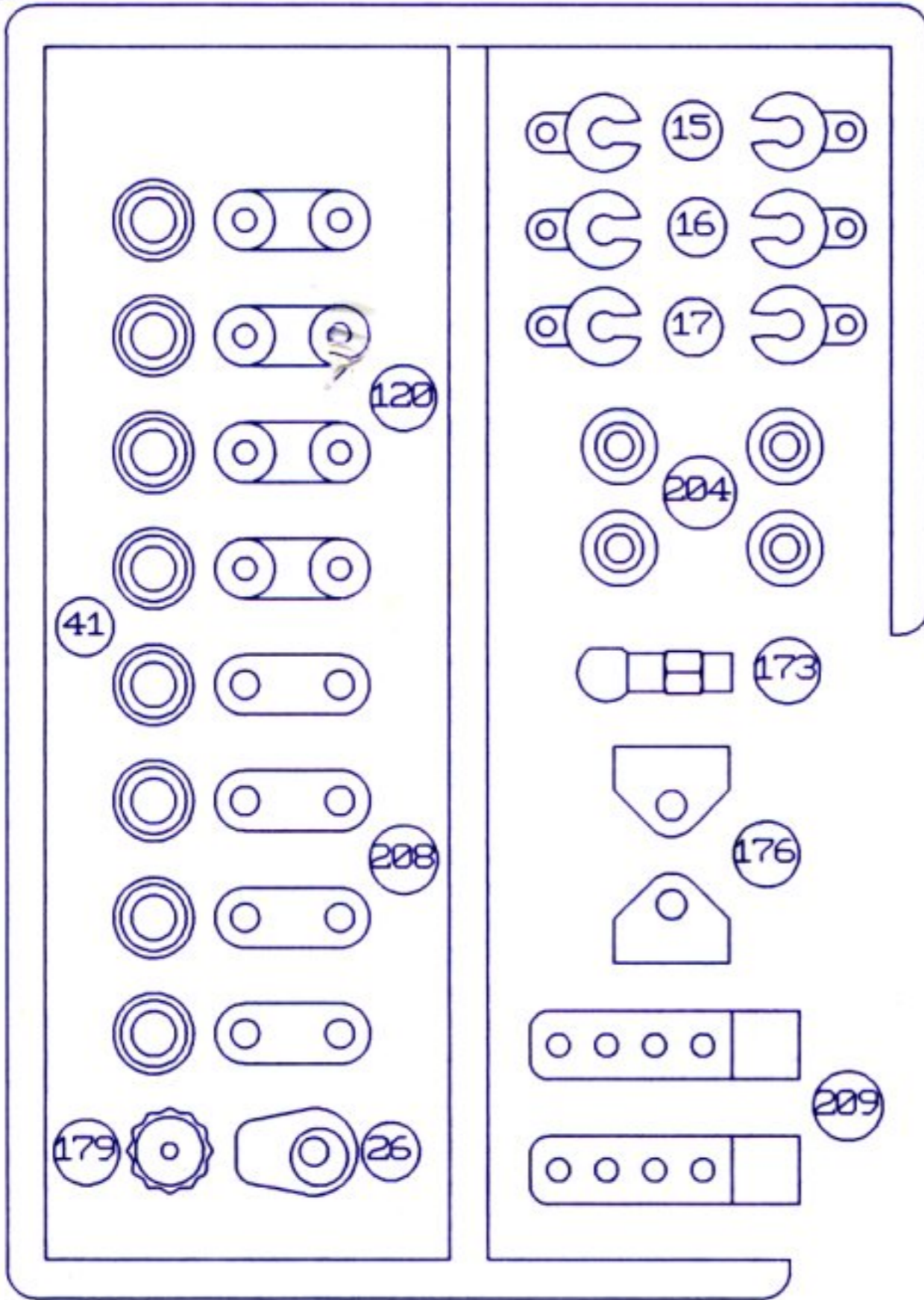


FUEL

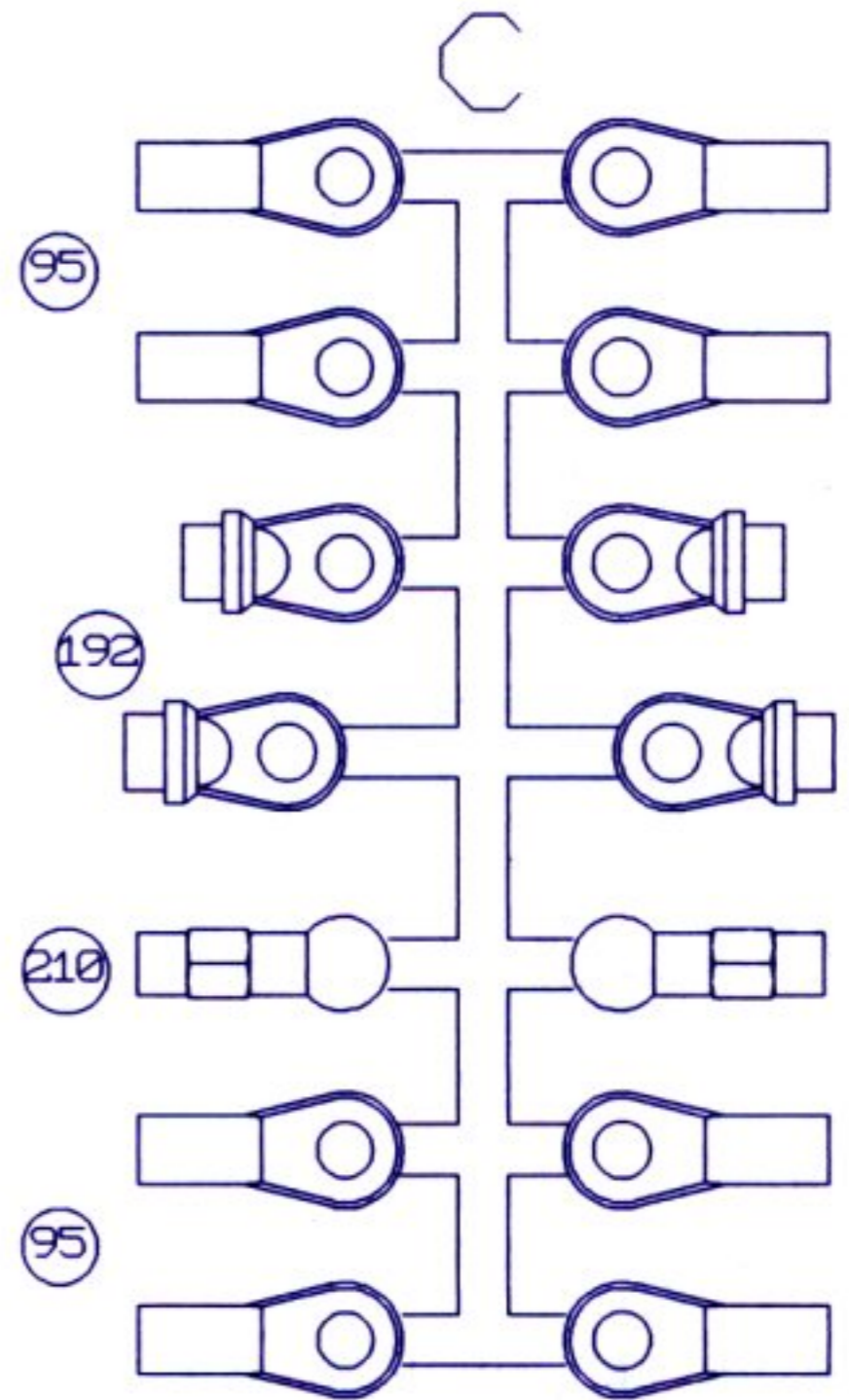


FUEL PUMP

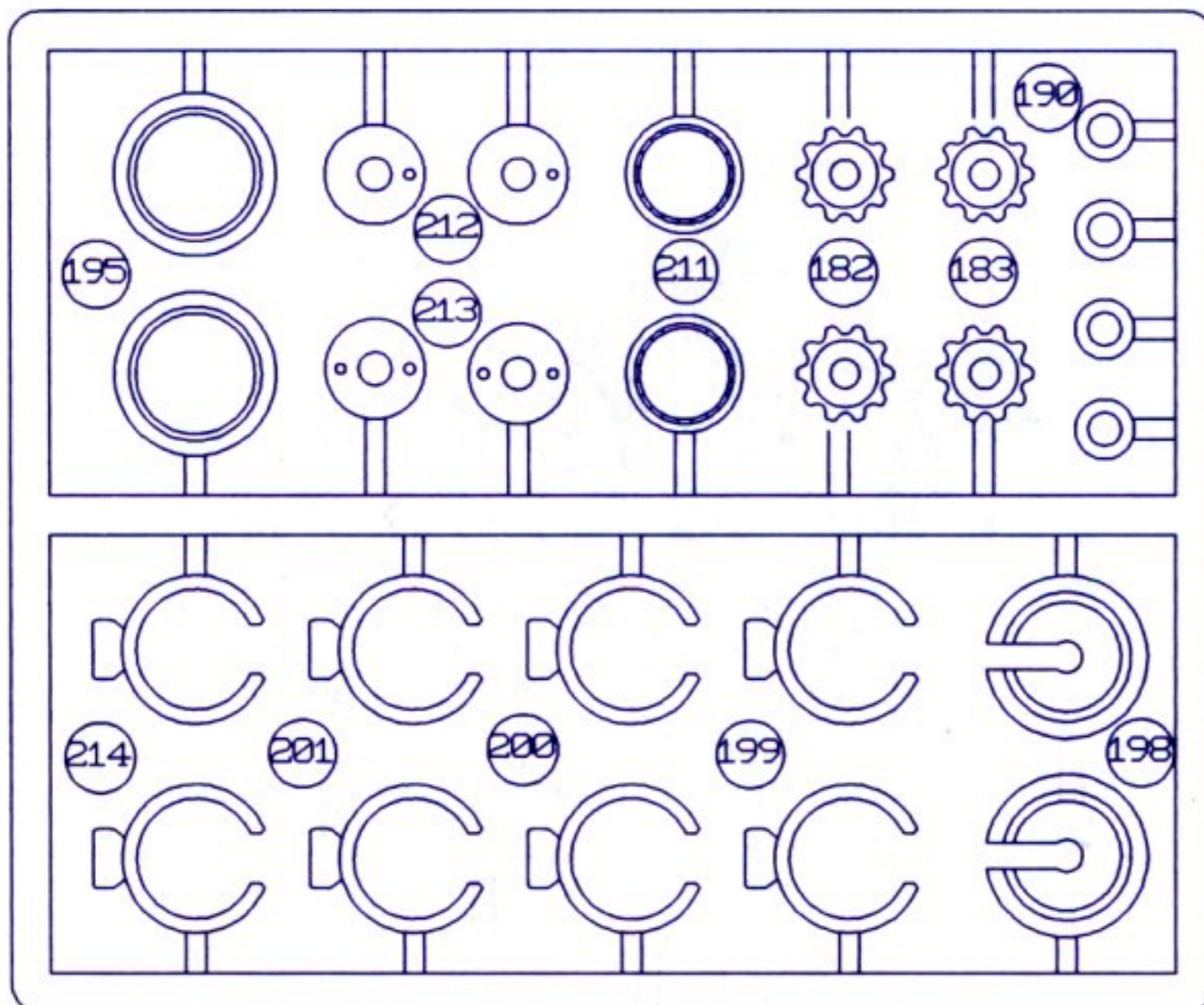
B



SMALL PARTS

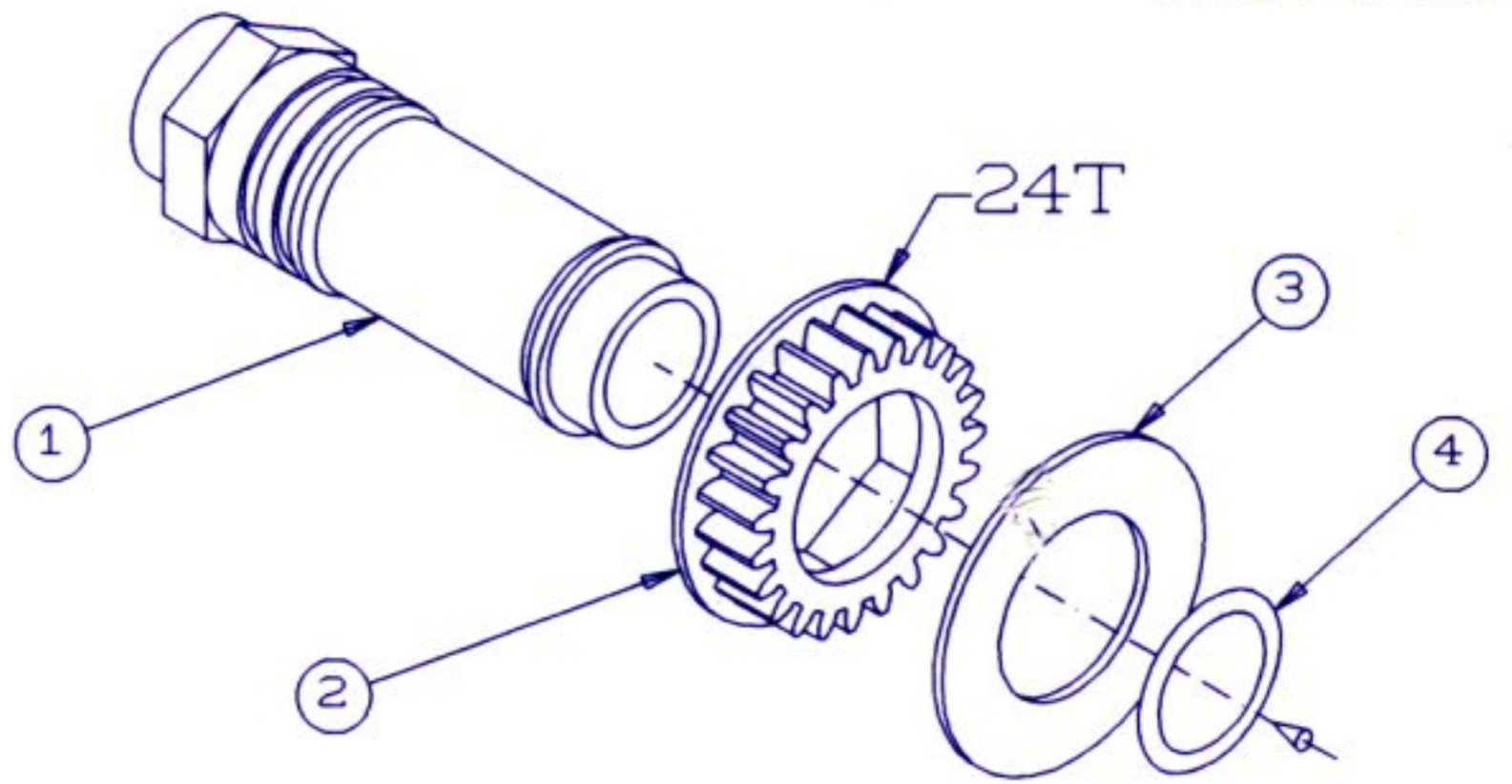
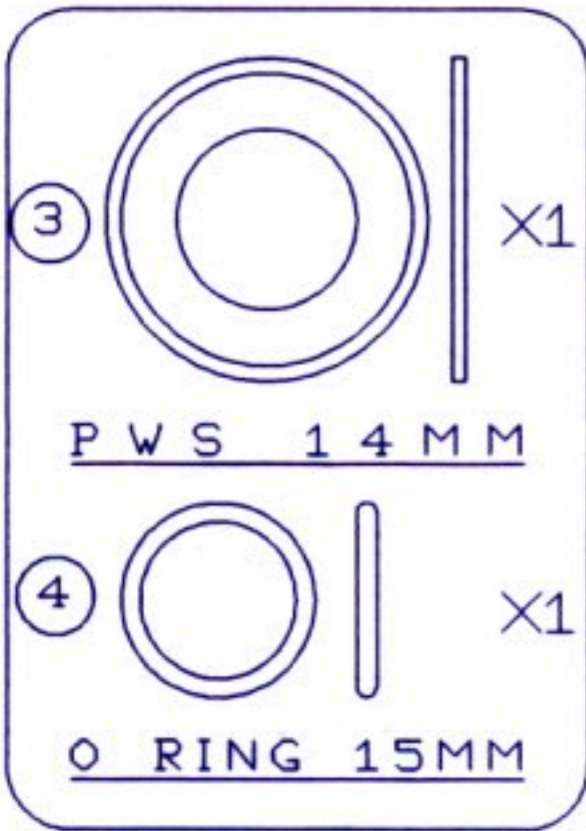


A



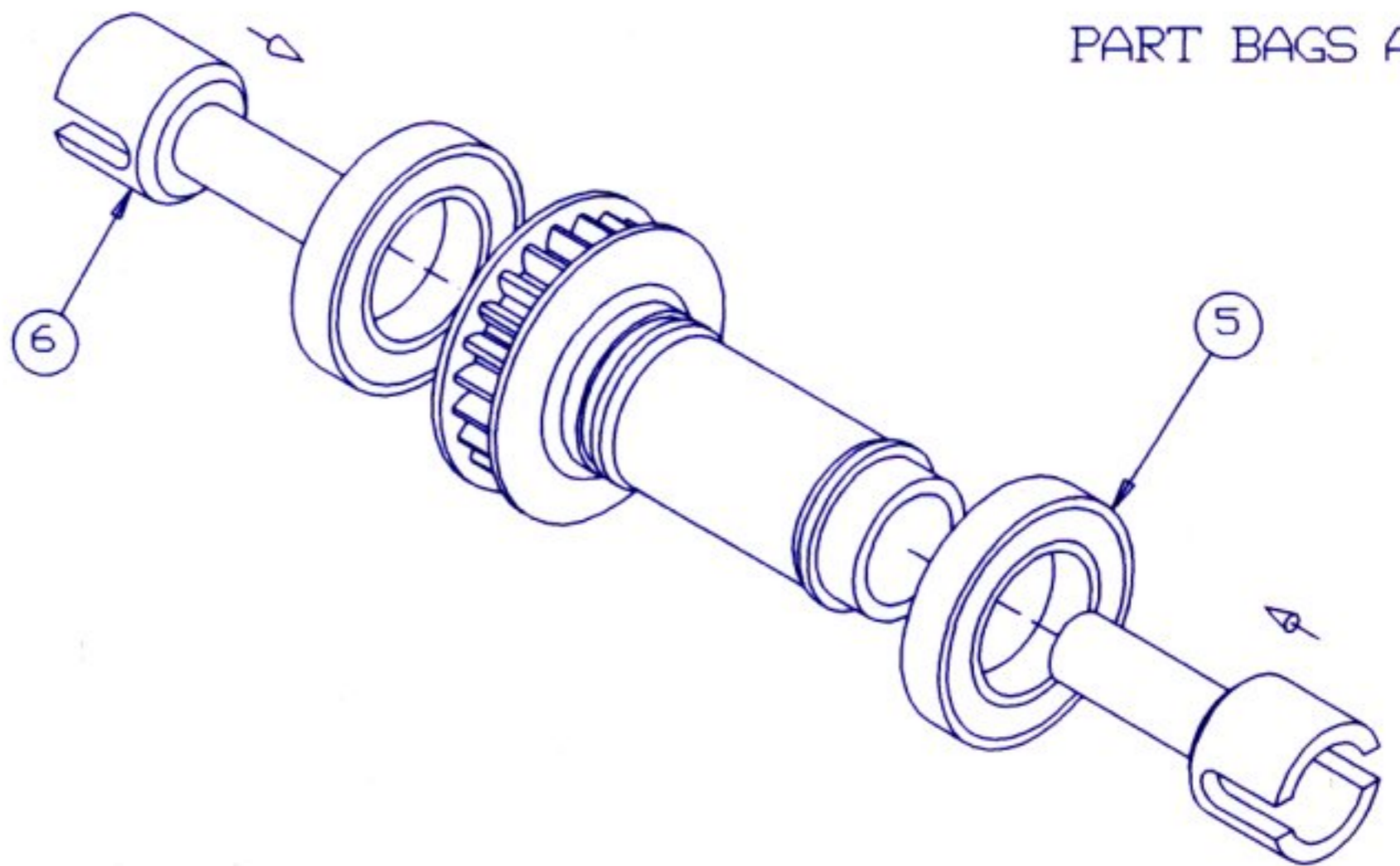
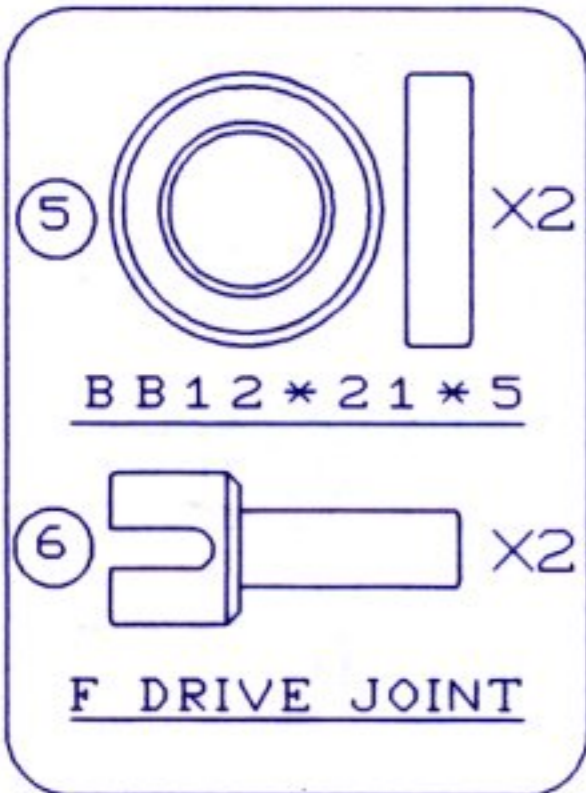
SMALL PARTS

PART BAGS A



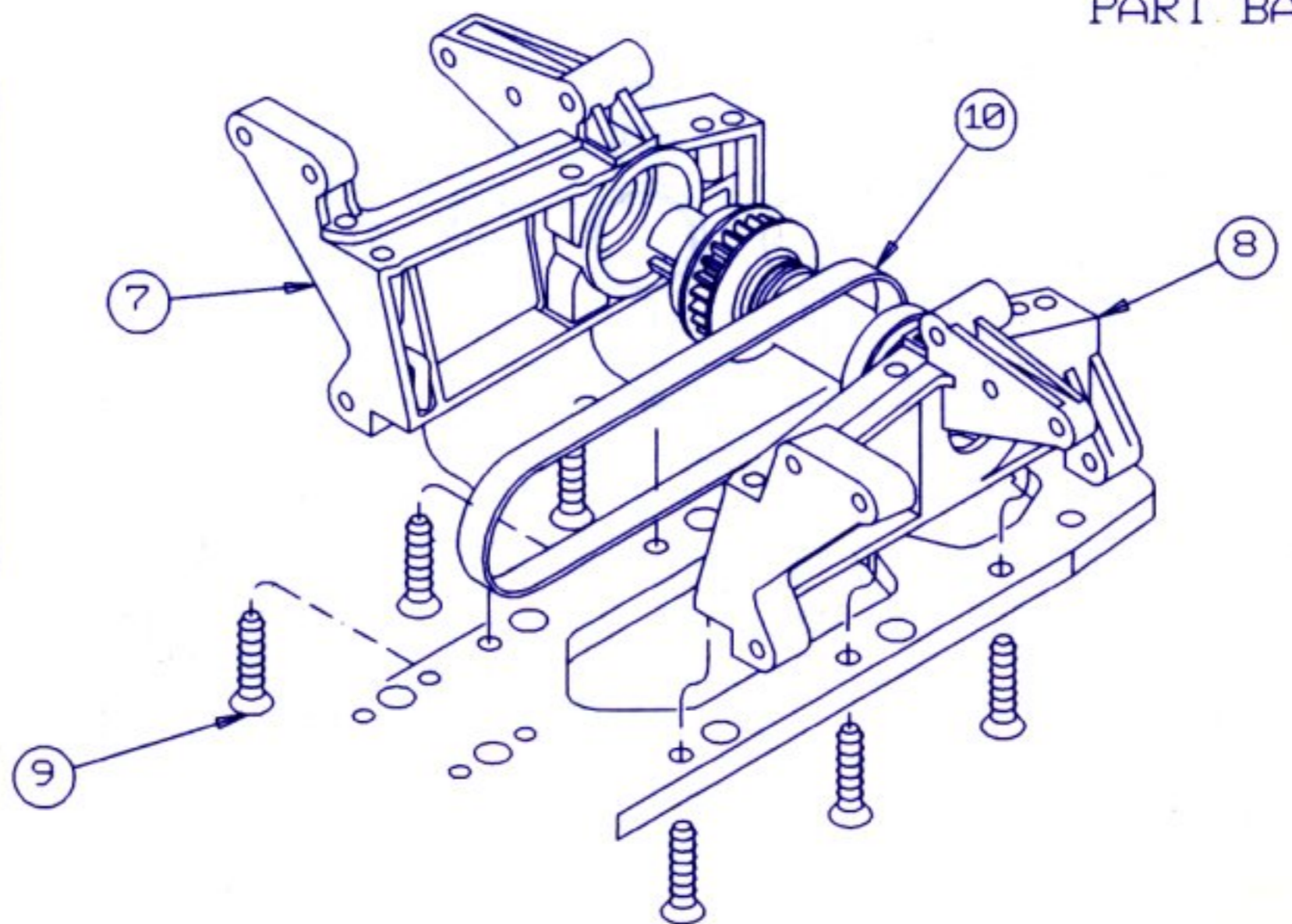
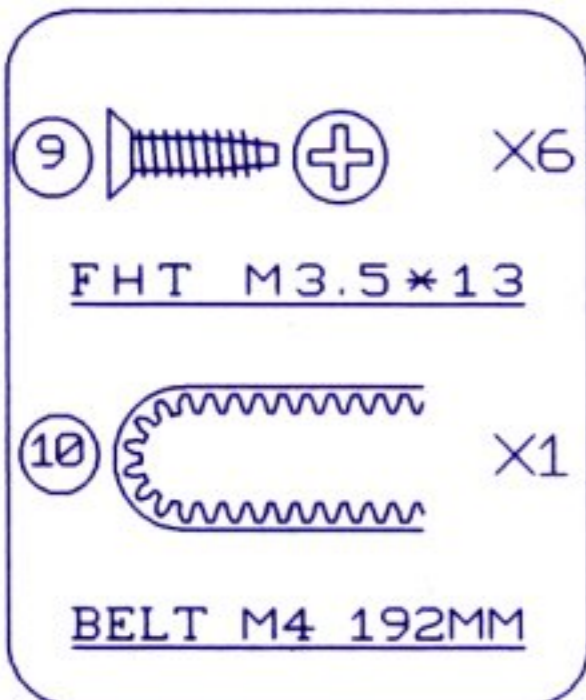
SMALL PARTS

PART BAGS A



SMALL PARTS

PART BAGS A



SMALL PARTS

18   X4

SCB M4*4

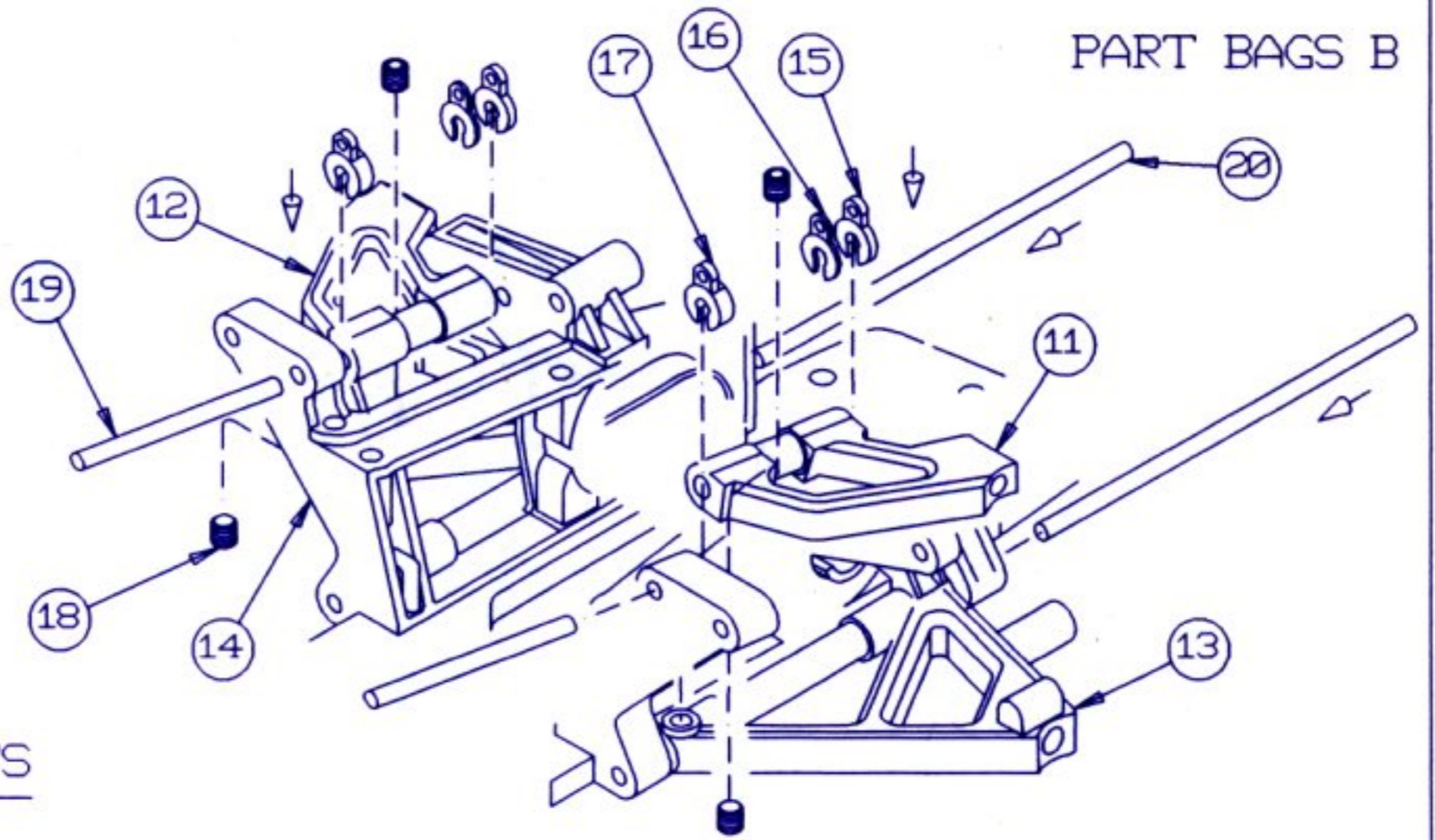
19  X2

FUS 64MM

20  X2

FDS 87MM

15 16 17 (B) PARTS



PART BAGS B

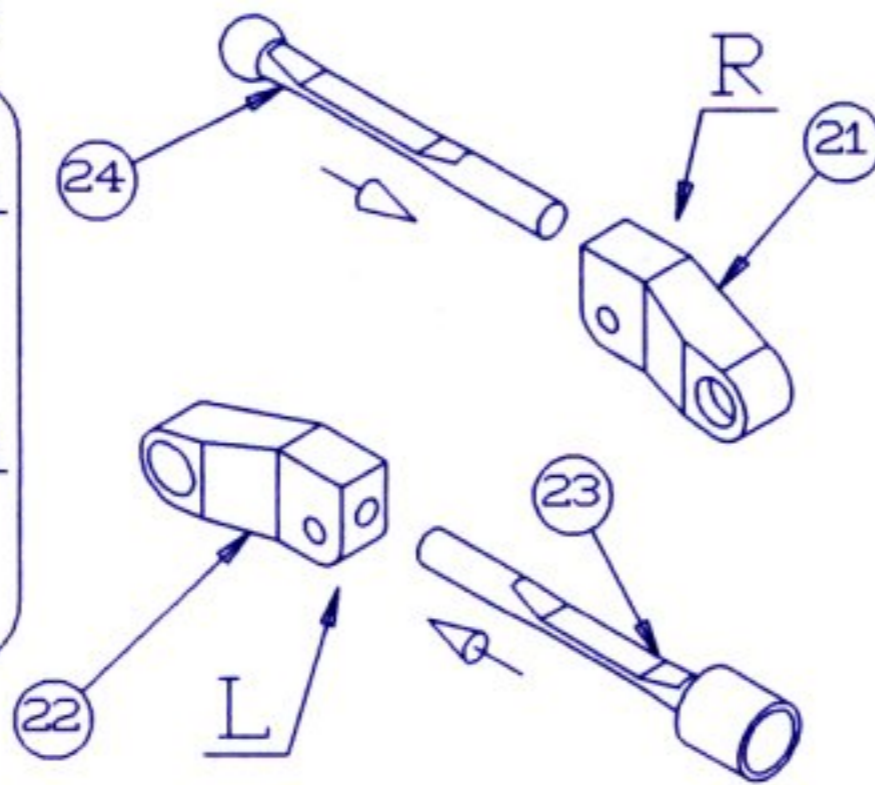
SMALL PARTS

23  X1

F ANTIROLL BAR L

24  X1

F ANTIROLL BAR R



PART BAGS B

SOFT

HARD

SMALL PARTS

27   X1

RHT M3*12

28   X1

RHT M3*15

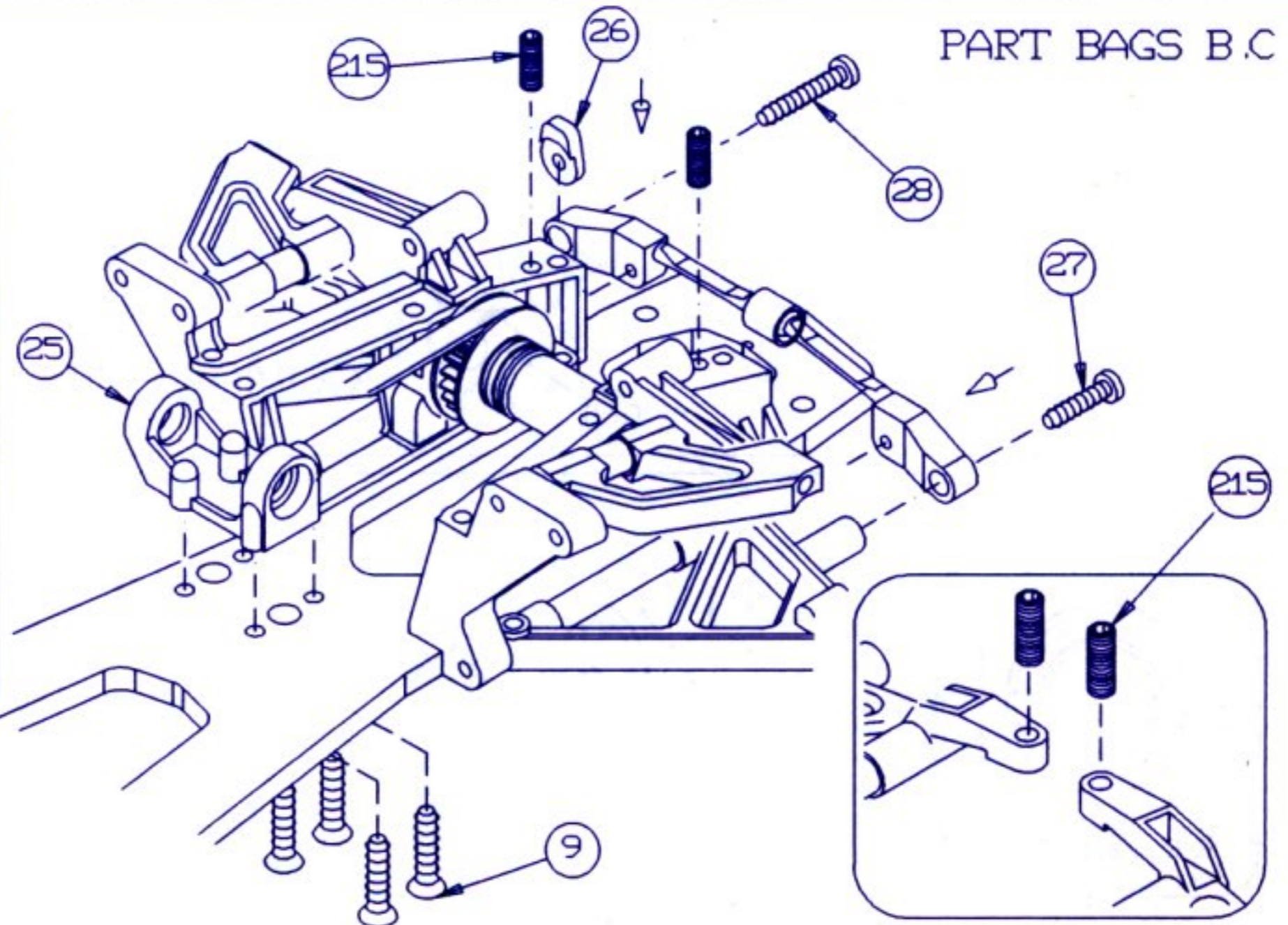
9   X4

FHT M3.5*13

215   X4

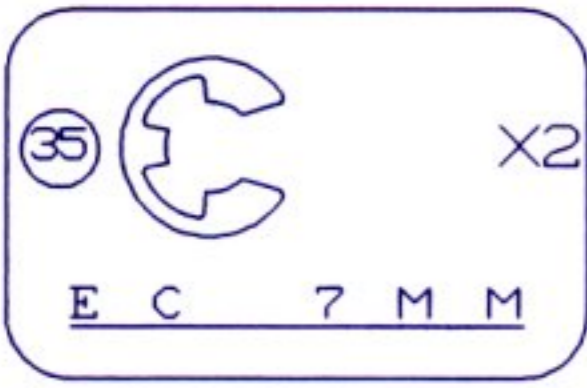
scb m4*10

26 (B) PARTS

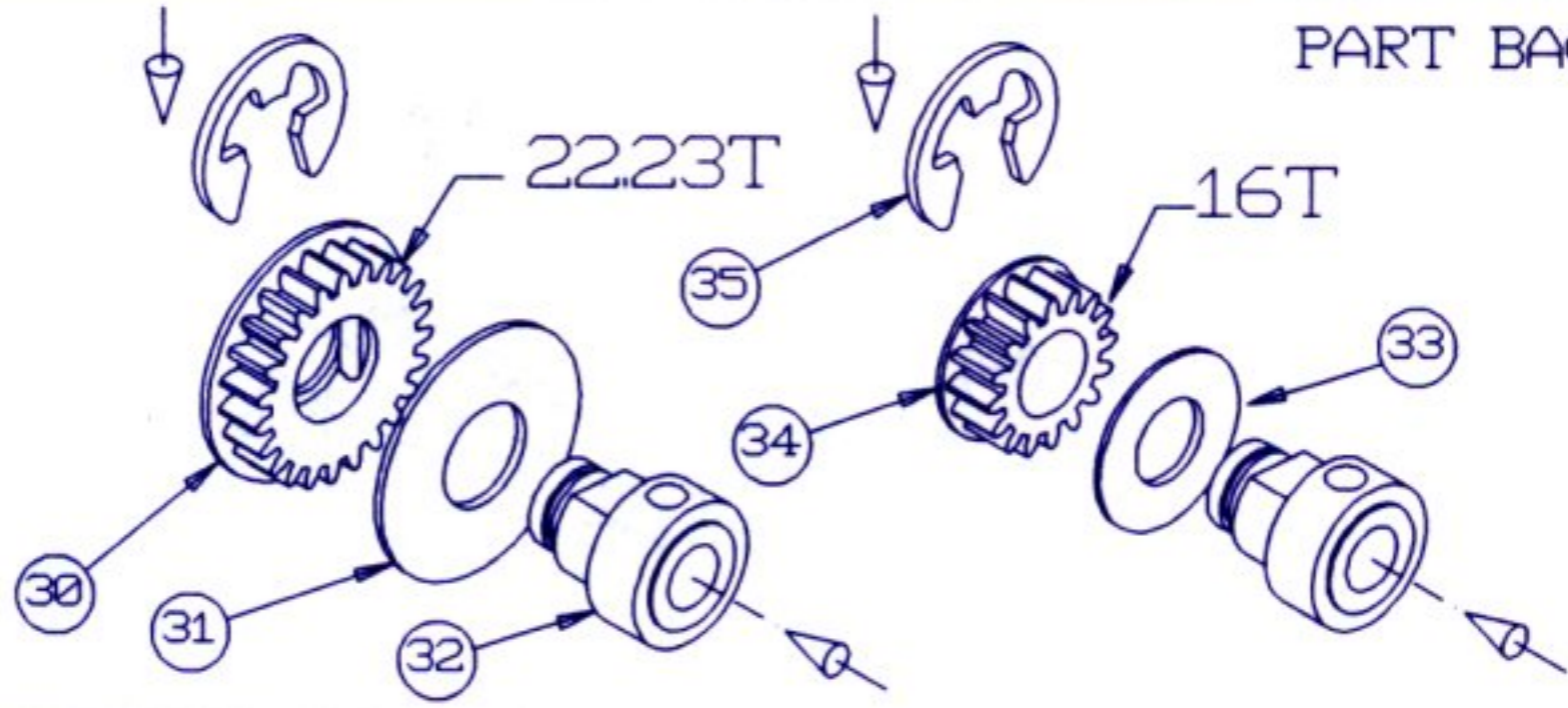


PART BAGS B.C

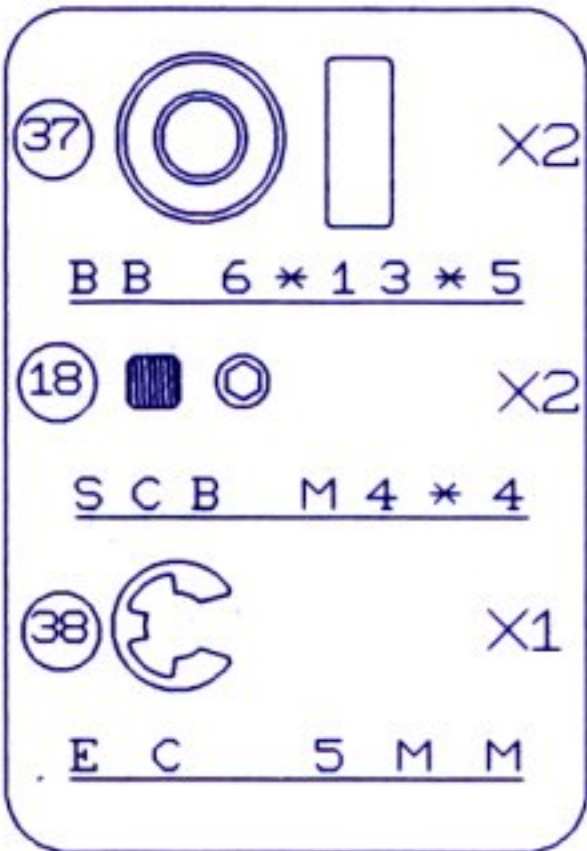
SMALL PARTS



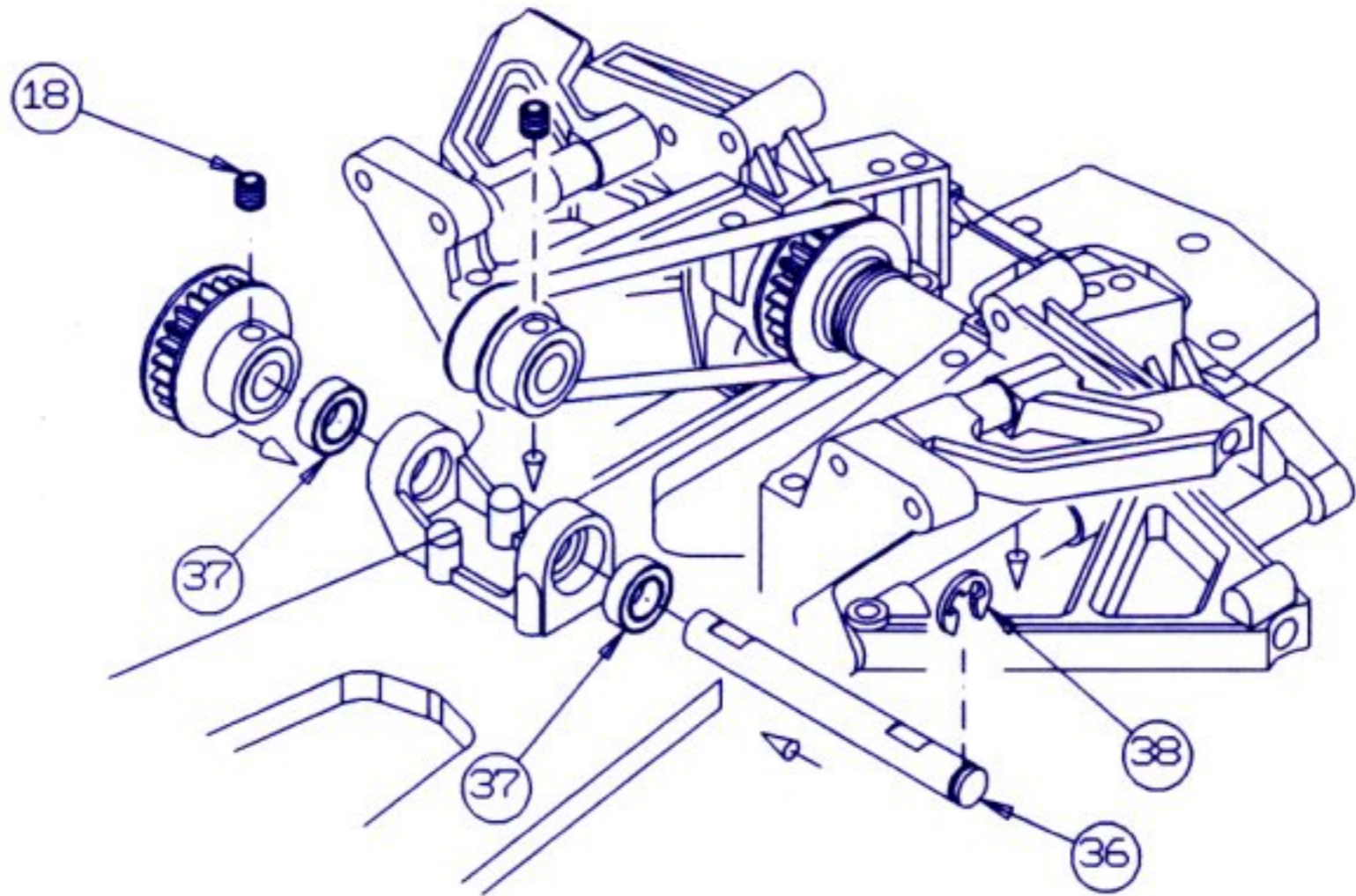
PART BAGS C



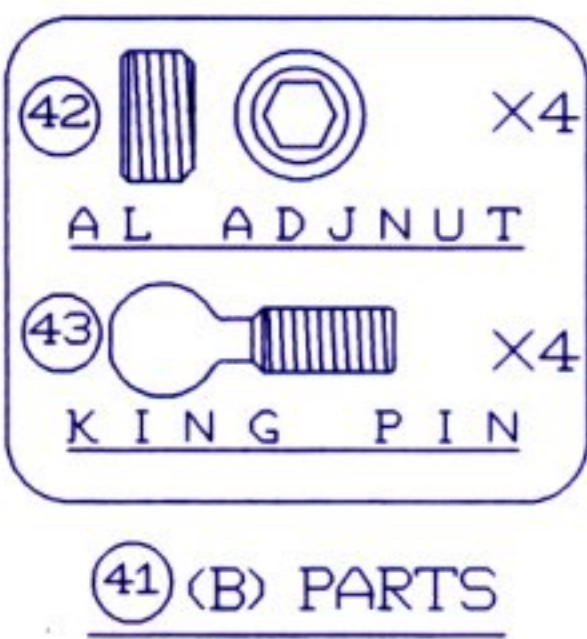
SMALL PARTS



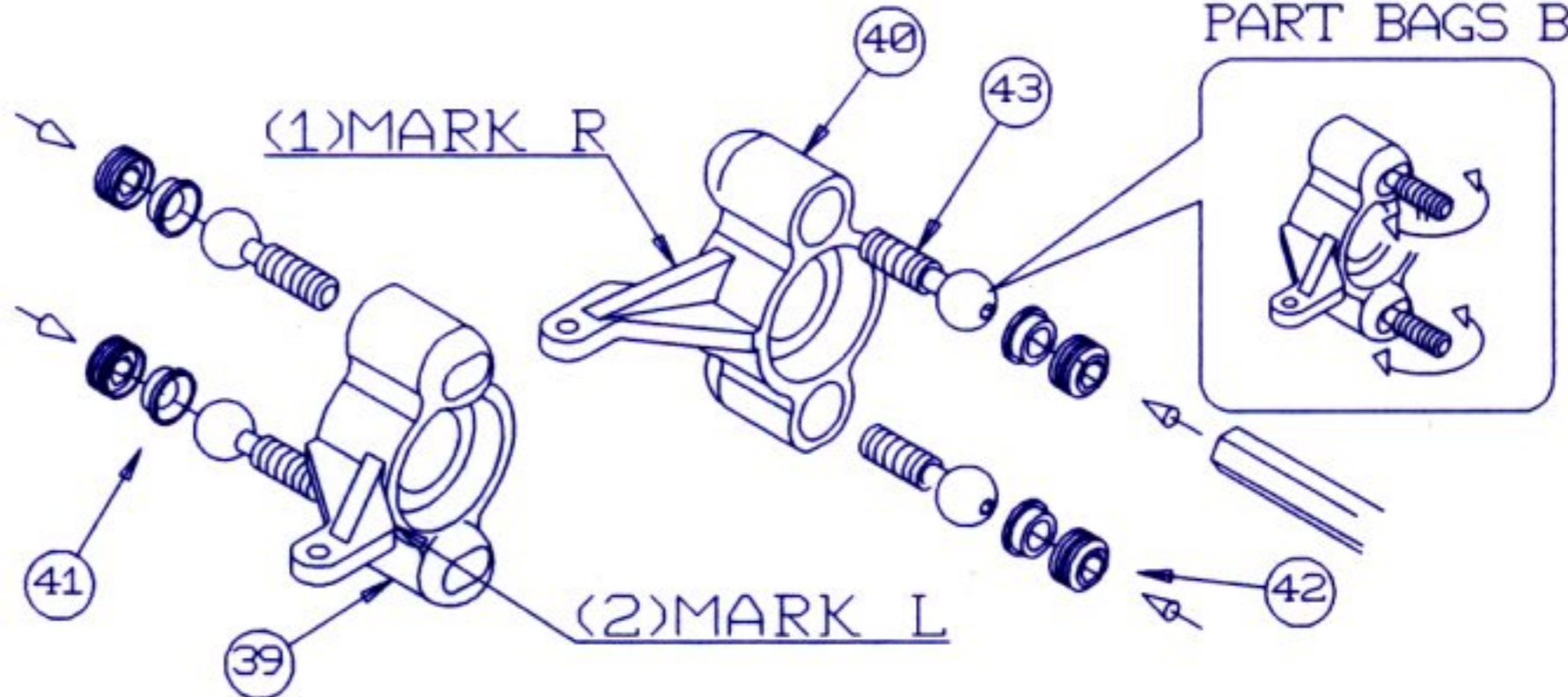
PART BAGS C



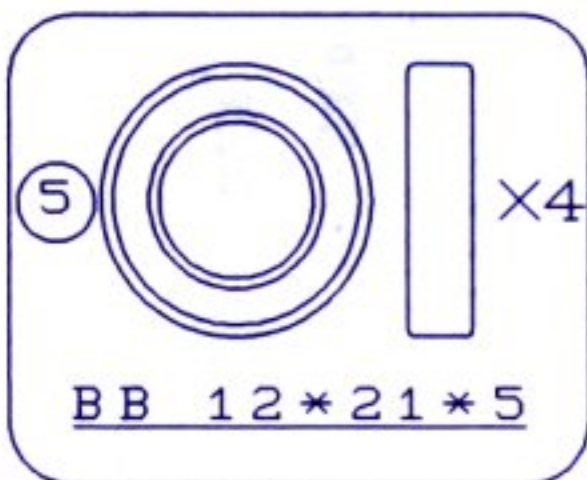
SMALL PARTS



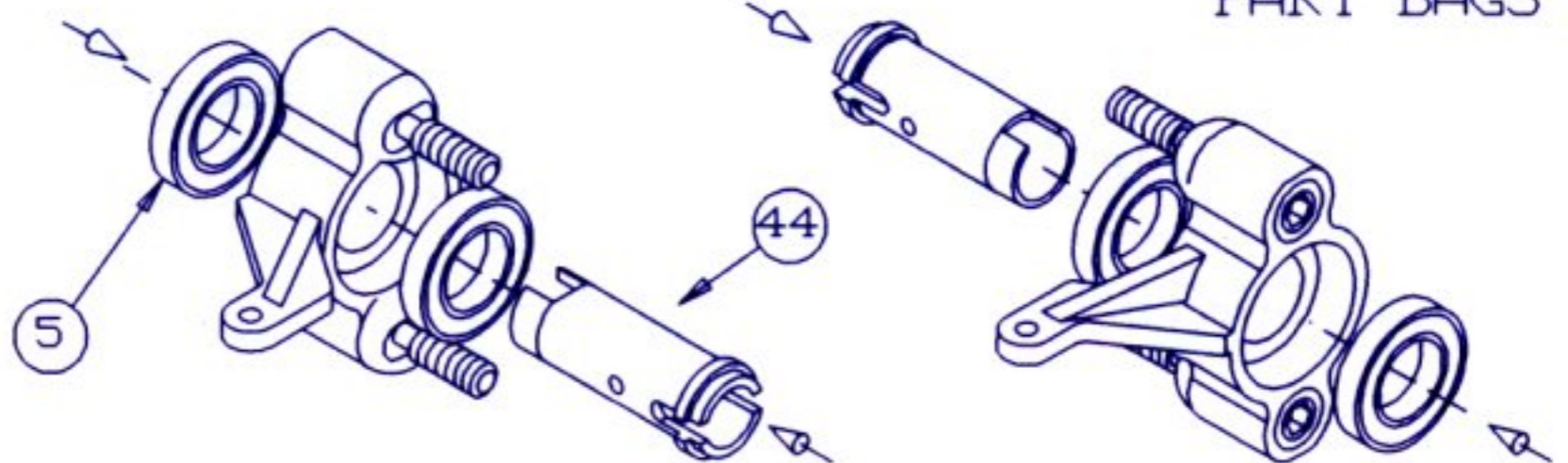
PART BAGS B



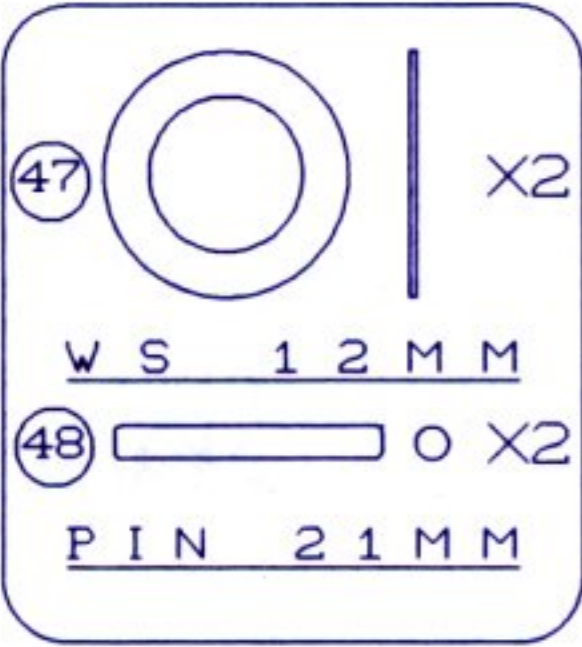
SMALL PARTS



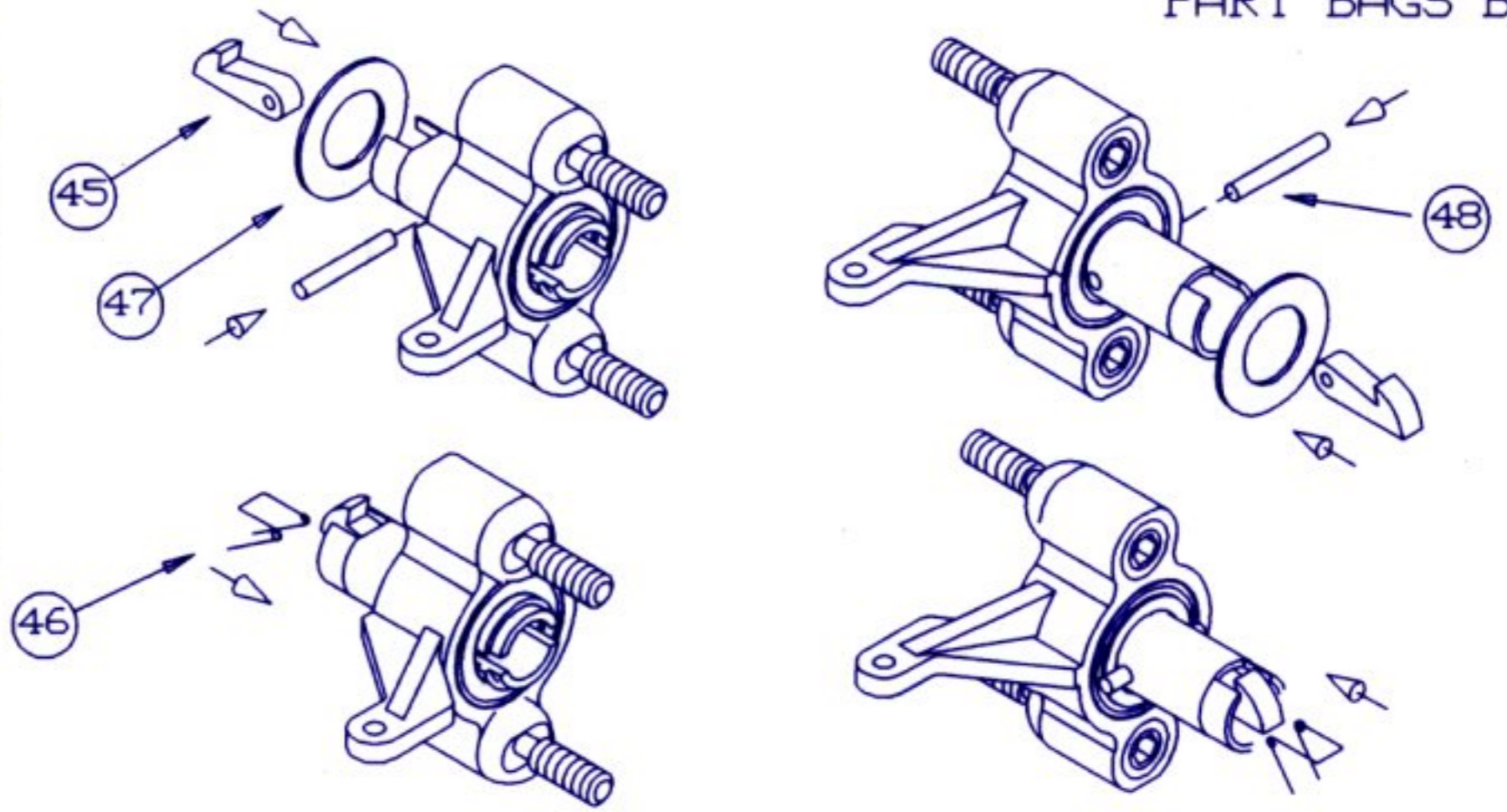
PART BAGS B



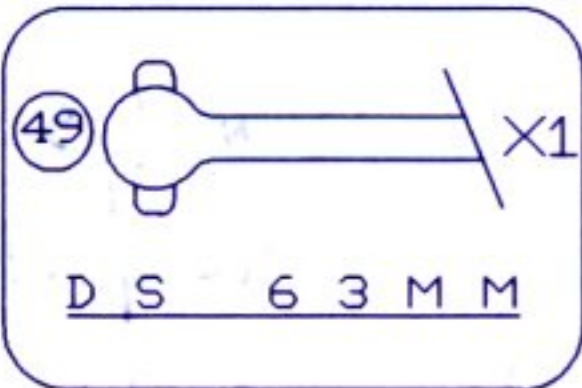
SMALL PARTS



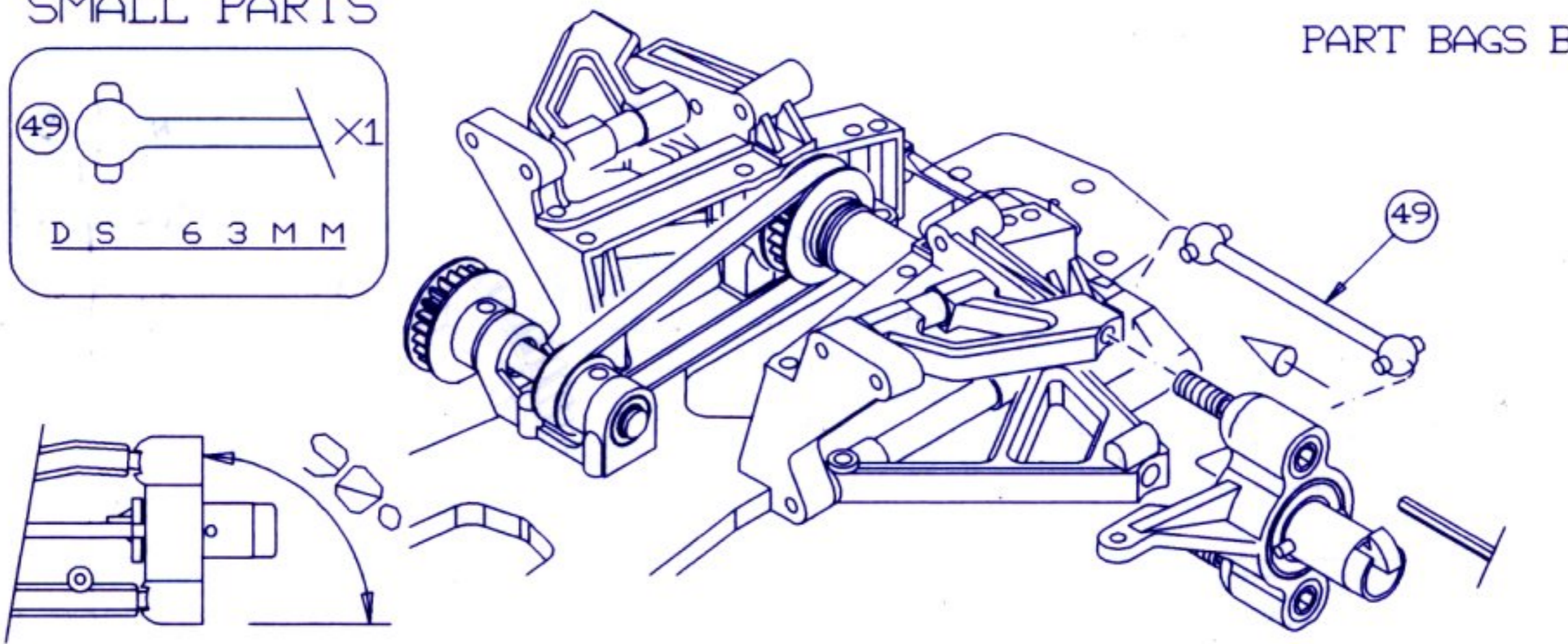
PART BAGS B



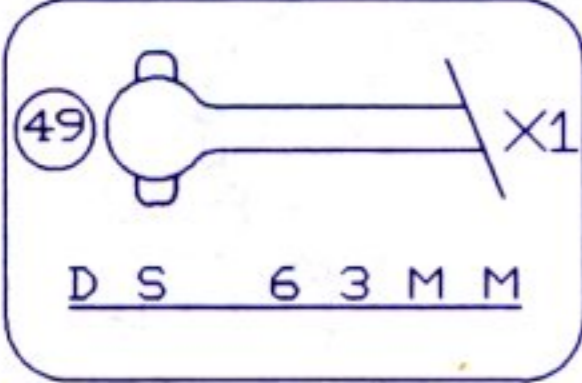
SMALL PARTS



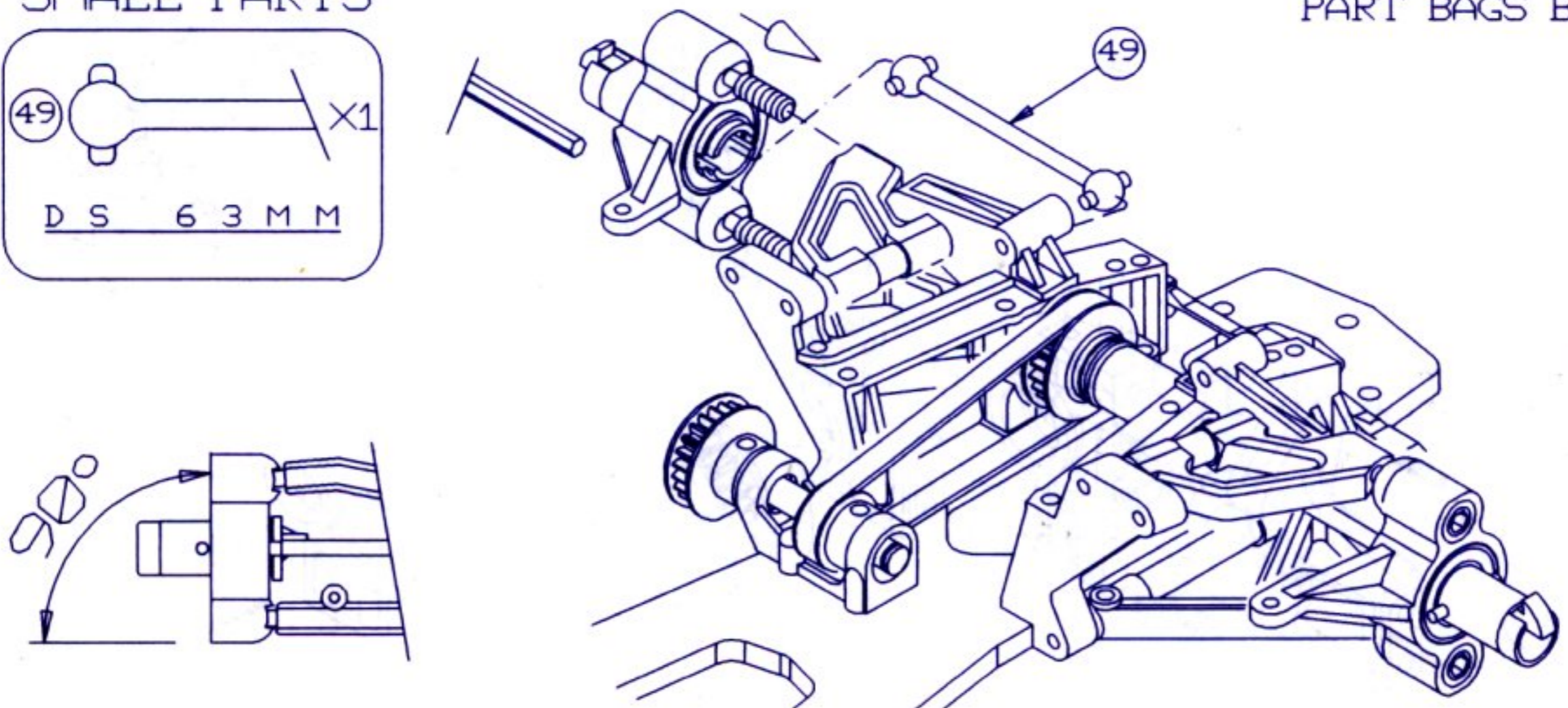
PART BAGS B



SMALL PARTS





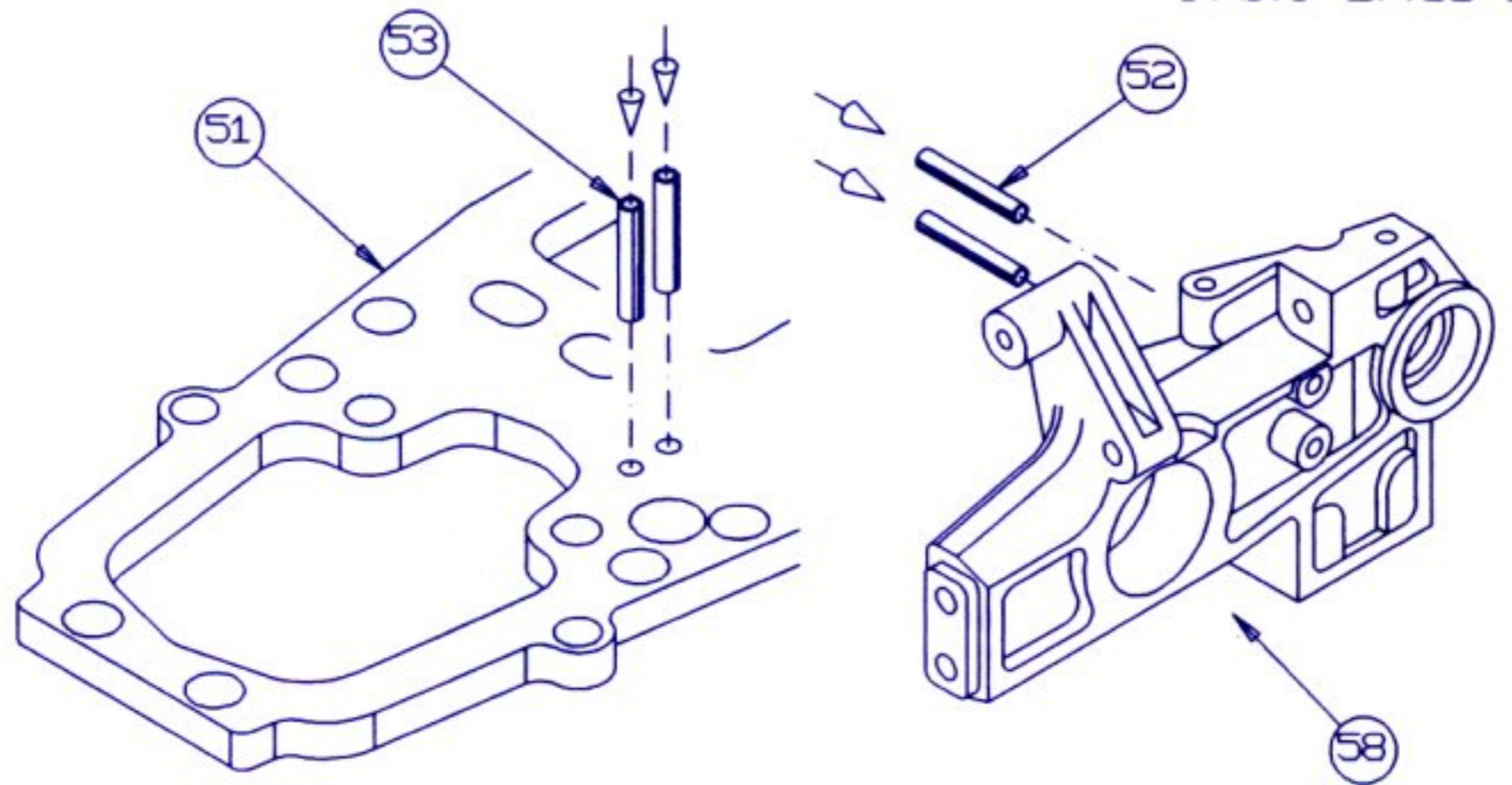
PART BAGS B



SMALL PARTS



PART BAGS D

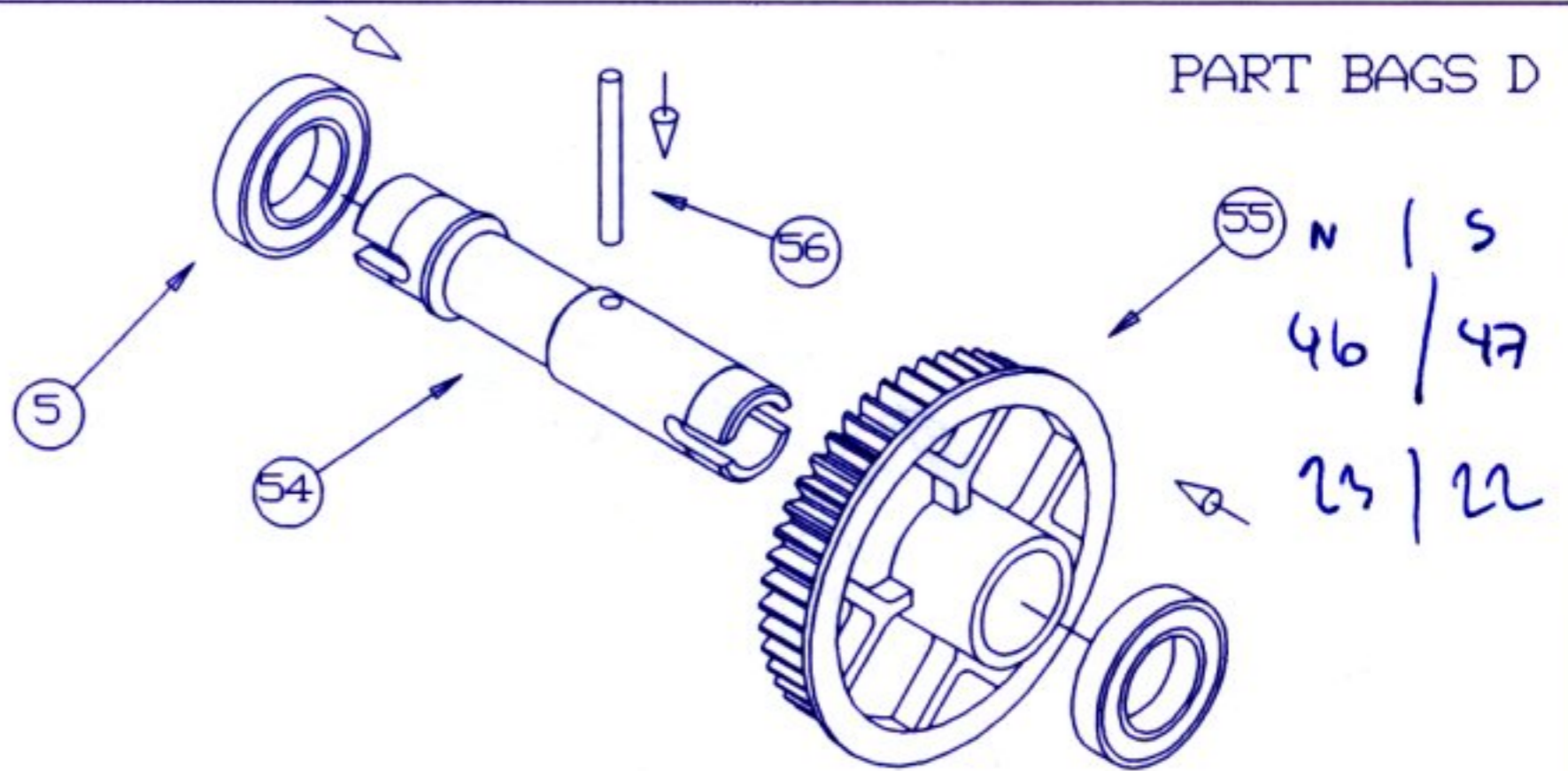
- 52  X2
SPIN 22MM
- 53  X2
SPIN 20MM



SMALL PARTS



PART BAGS D

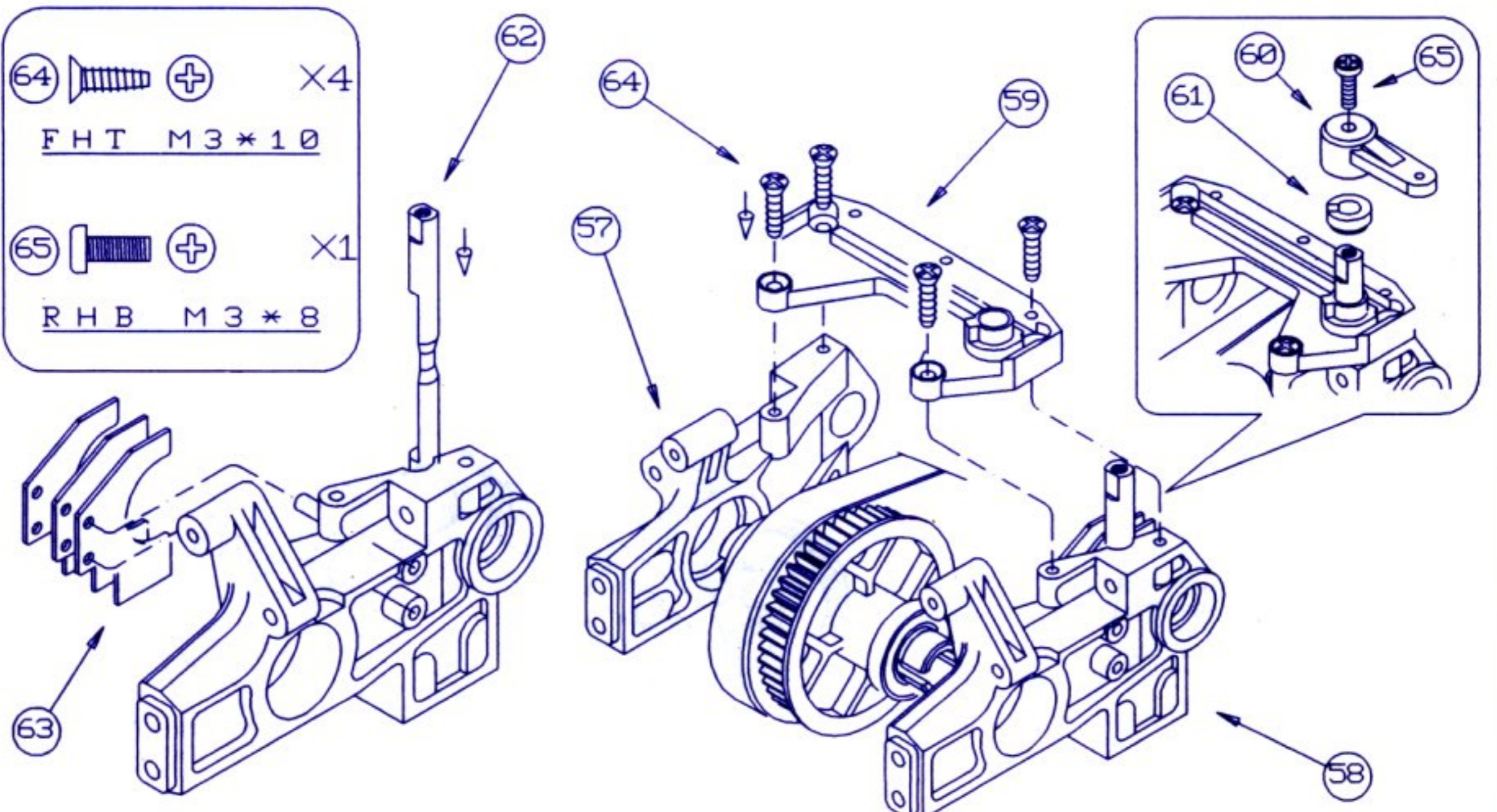
- 56  X1
PIN 24MM
- 5  X2
BB 12*21*5






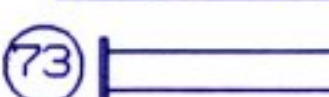

SMALL PARTS

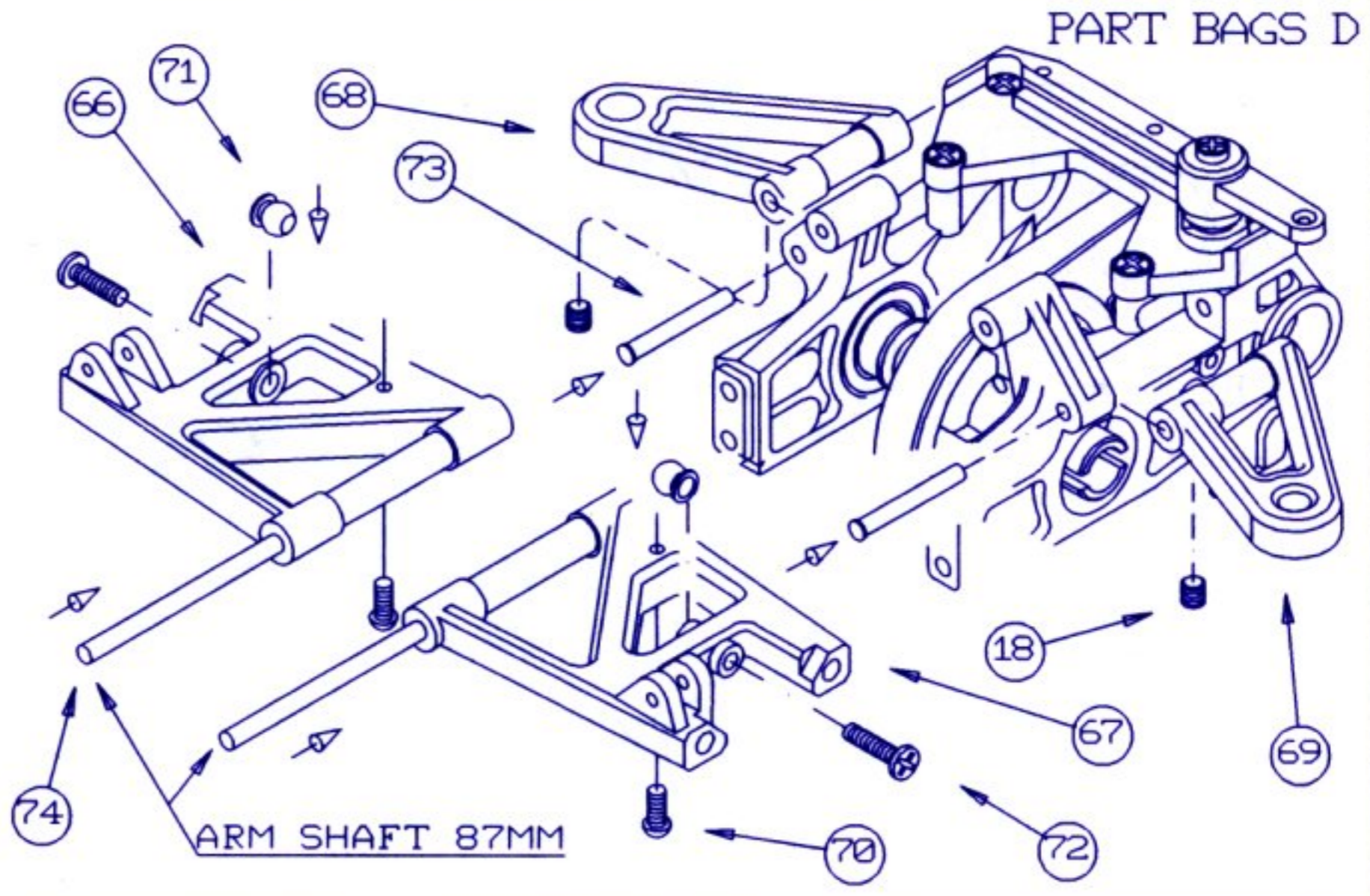
PART BAGS D

- 64  X4
FHT M3*10
- 65  X1
RHB M3*8




SMALL PARTS

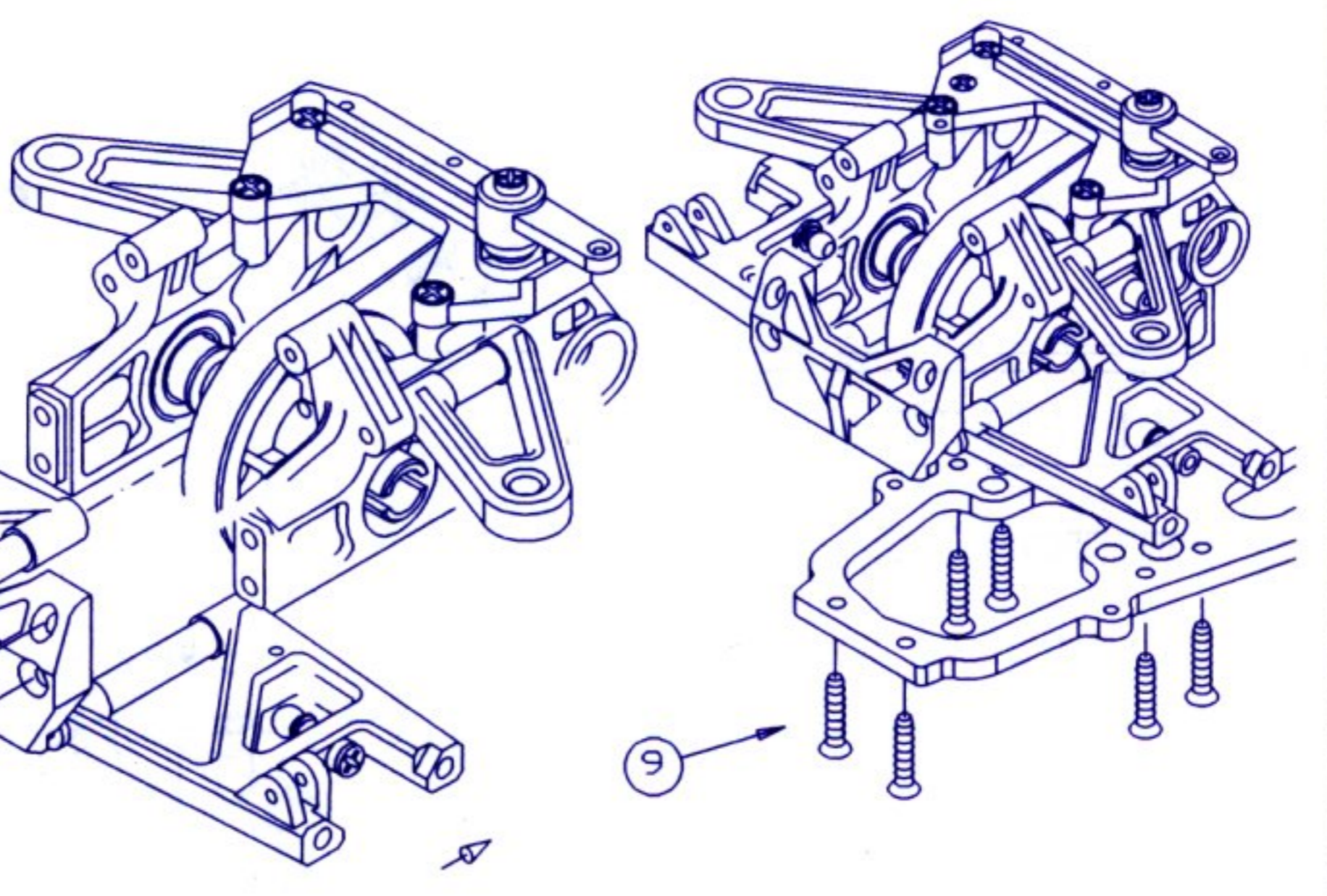
-  X2
R C B M 3 * 8
-  X2
B A L L M 5 . 8
-  X2
R H B M 3 * 1 2
-  X2
A R M S H A F T 4 4 5 M M
-  X2
S C B M 4 * 4



PART BAGS D



SMALL PARTS

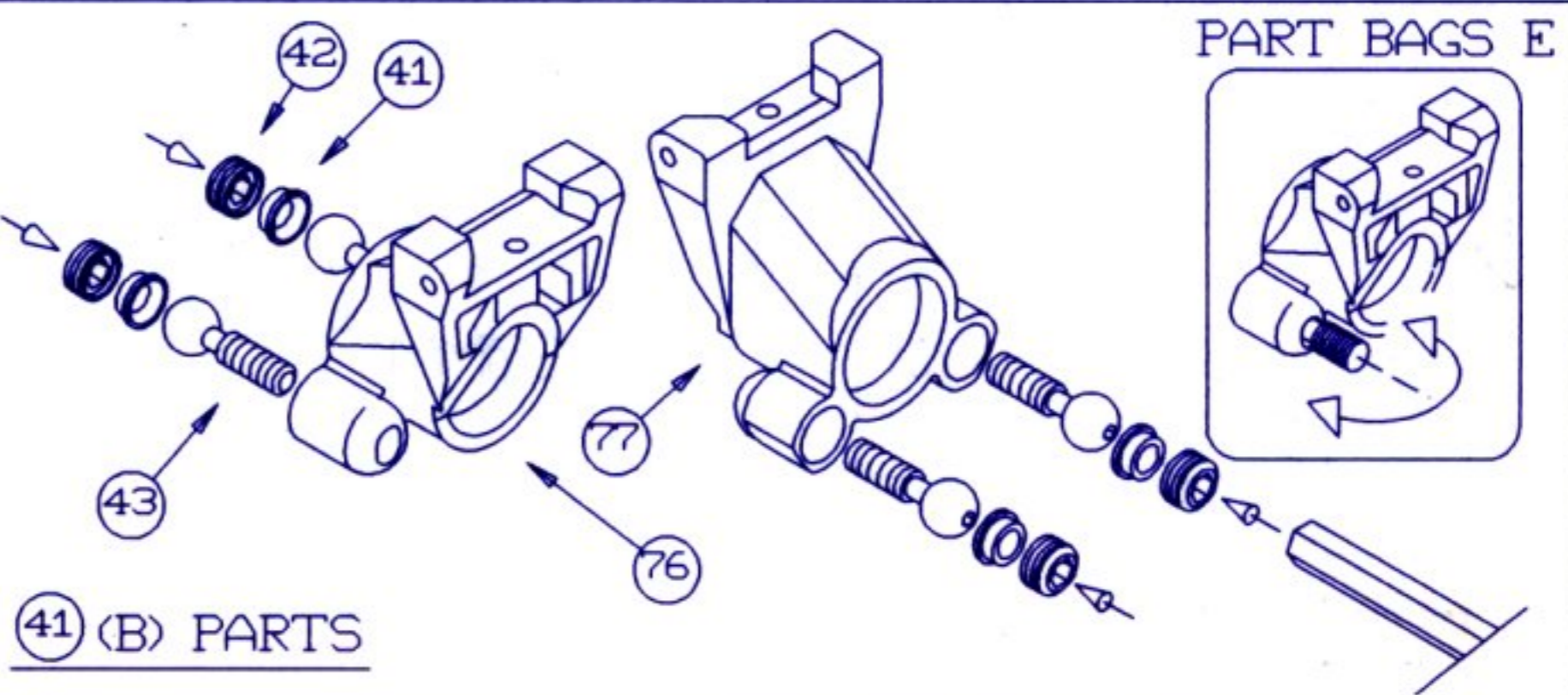
-  X10
F H T M 3 . 5 * 1 3



PART BAGS D

SMALL PARTS

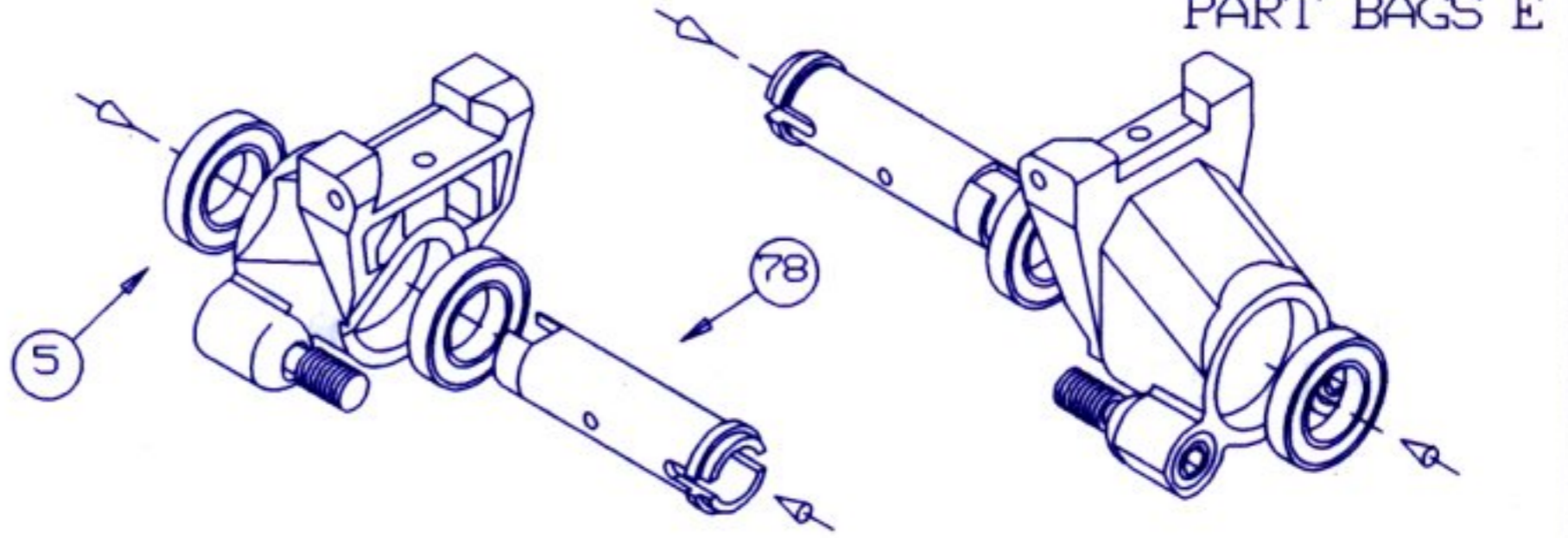
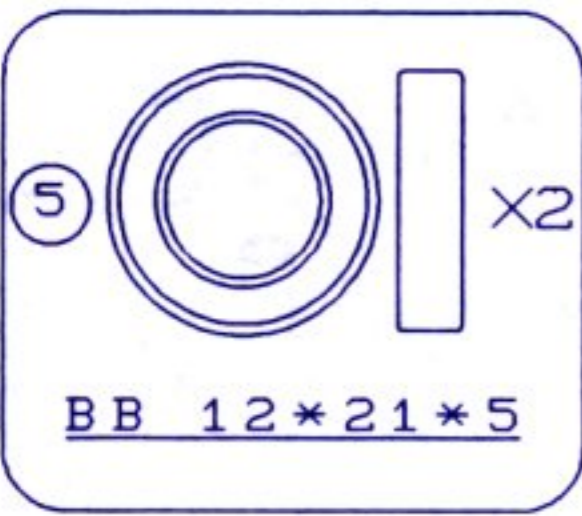
-  X4
A L A D J N U T
-  X4
K I N G P I N



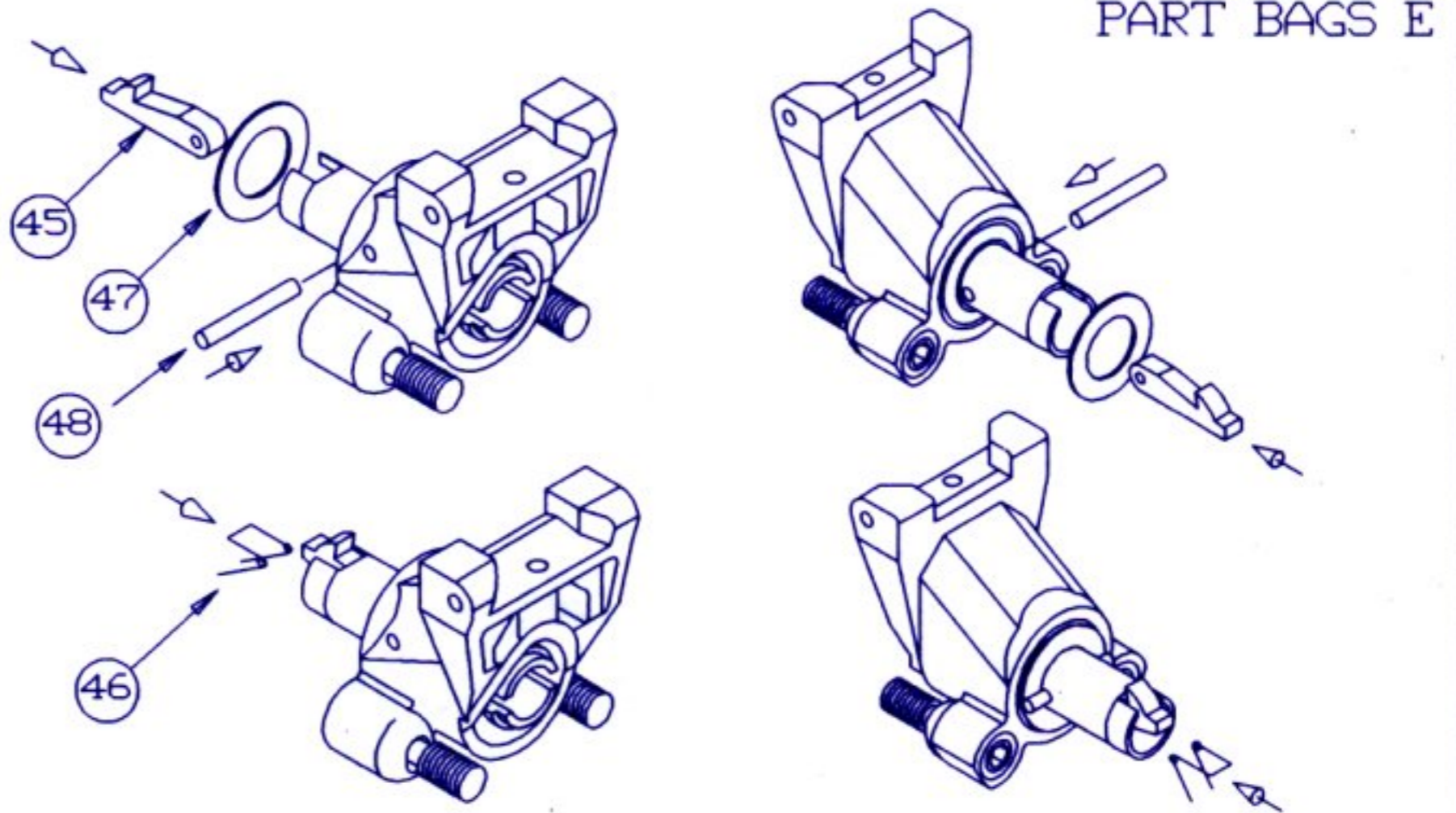
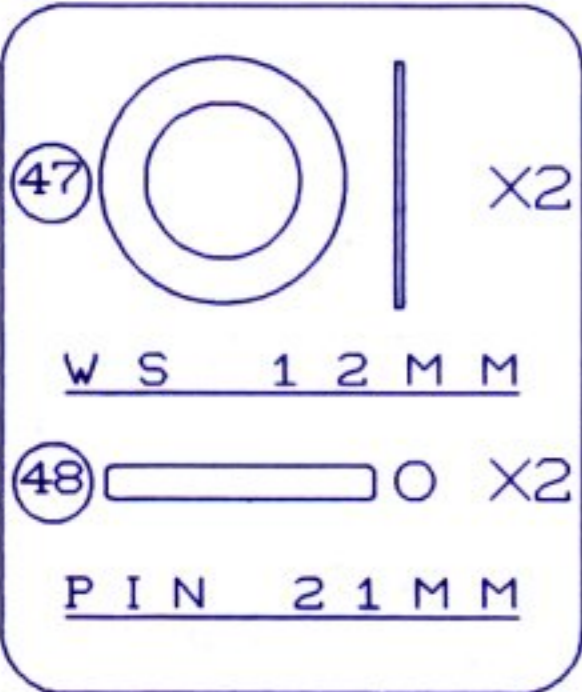
PART BAGS E

41 (B) PARTS

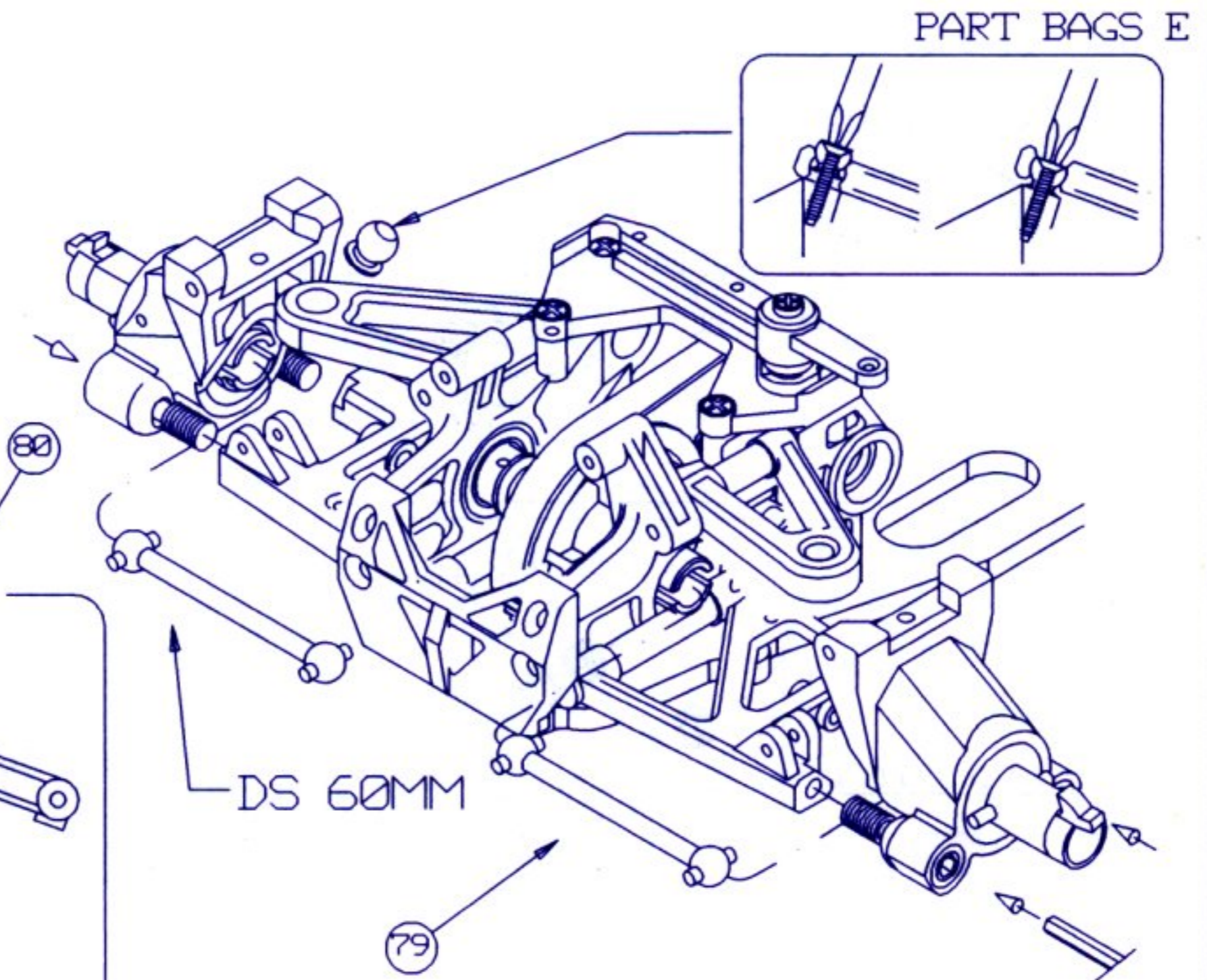
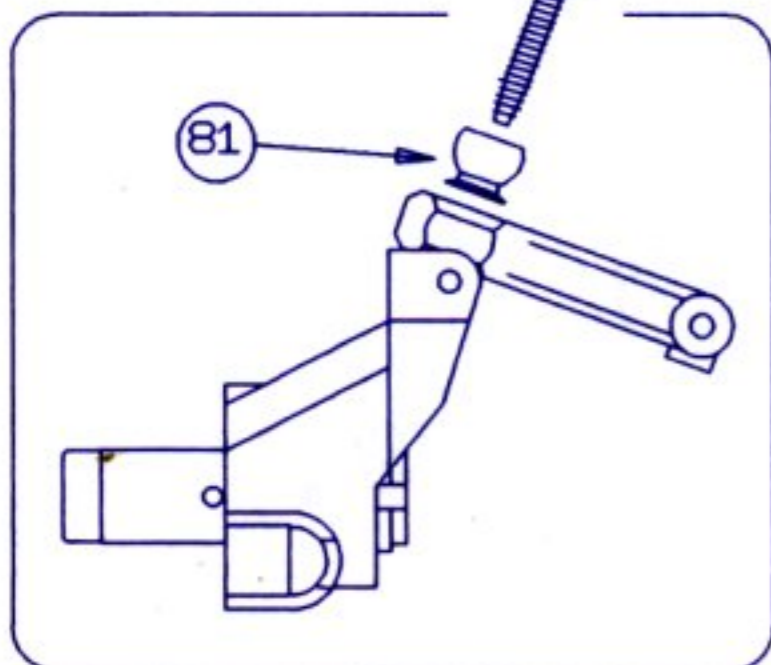
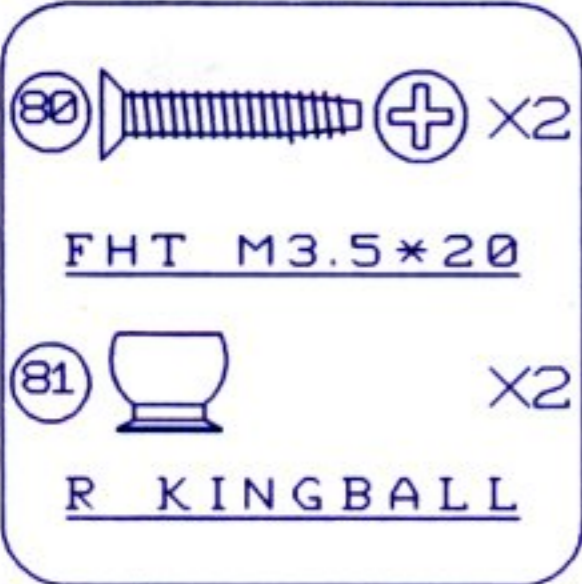
SMALL PARTS




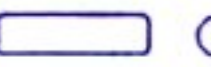


SMALL PARTS



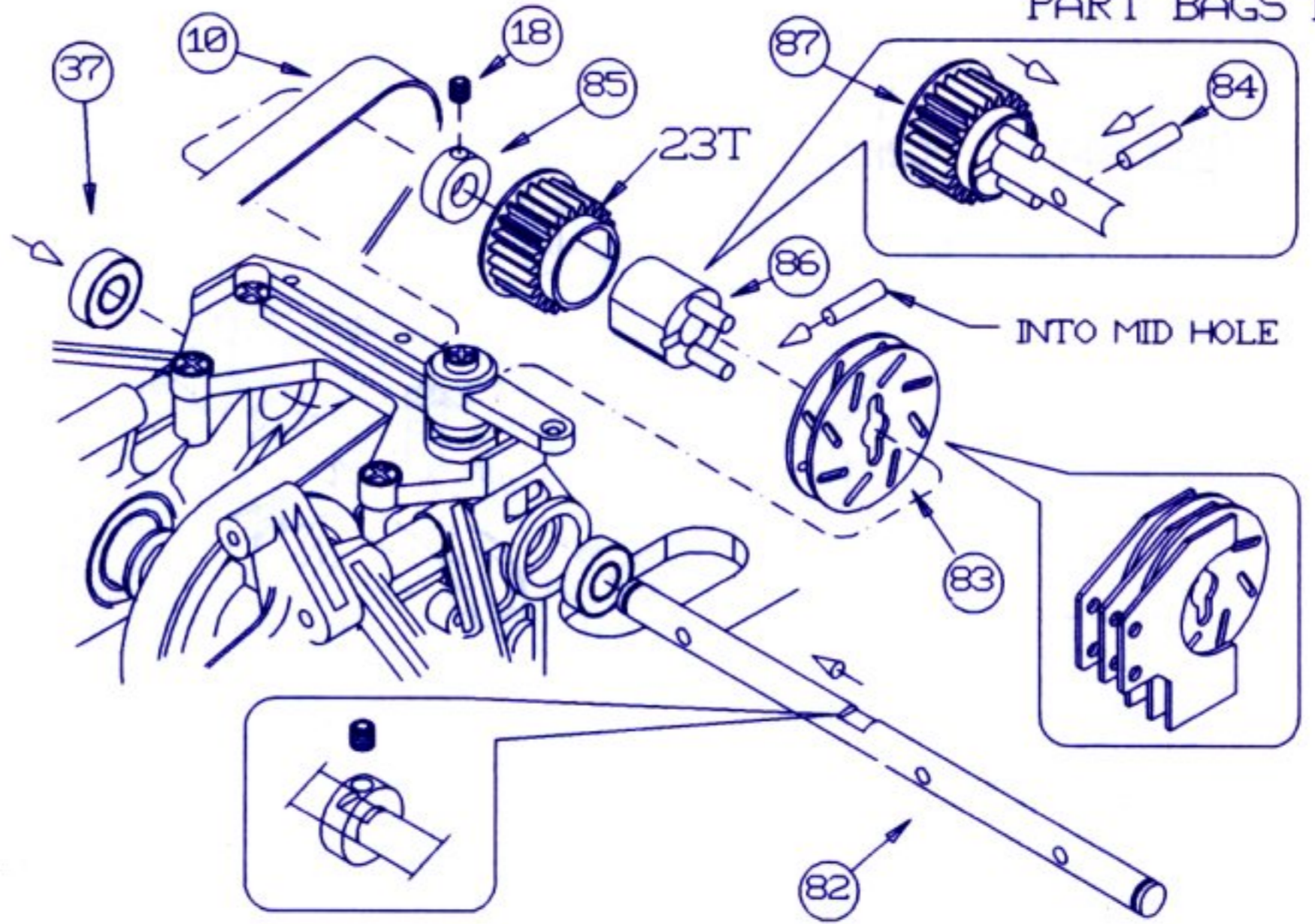
SMALL PARTS





SMALL PARTS

(37)  X2
BB 6*13*5
 (84)  O X1
PIN 12MM
 (18)  X1
SCB M4*4
 (85)  X1
M6 STOPER

PART BAGS E

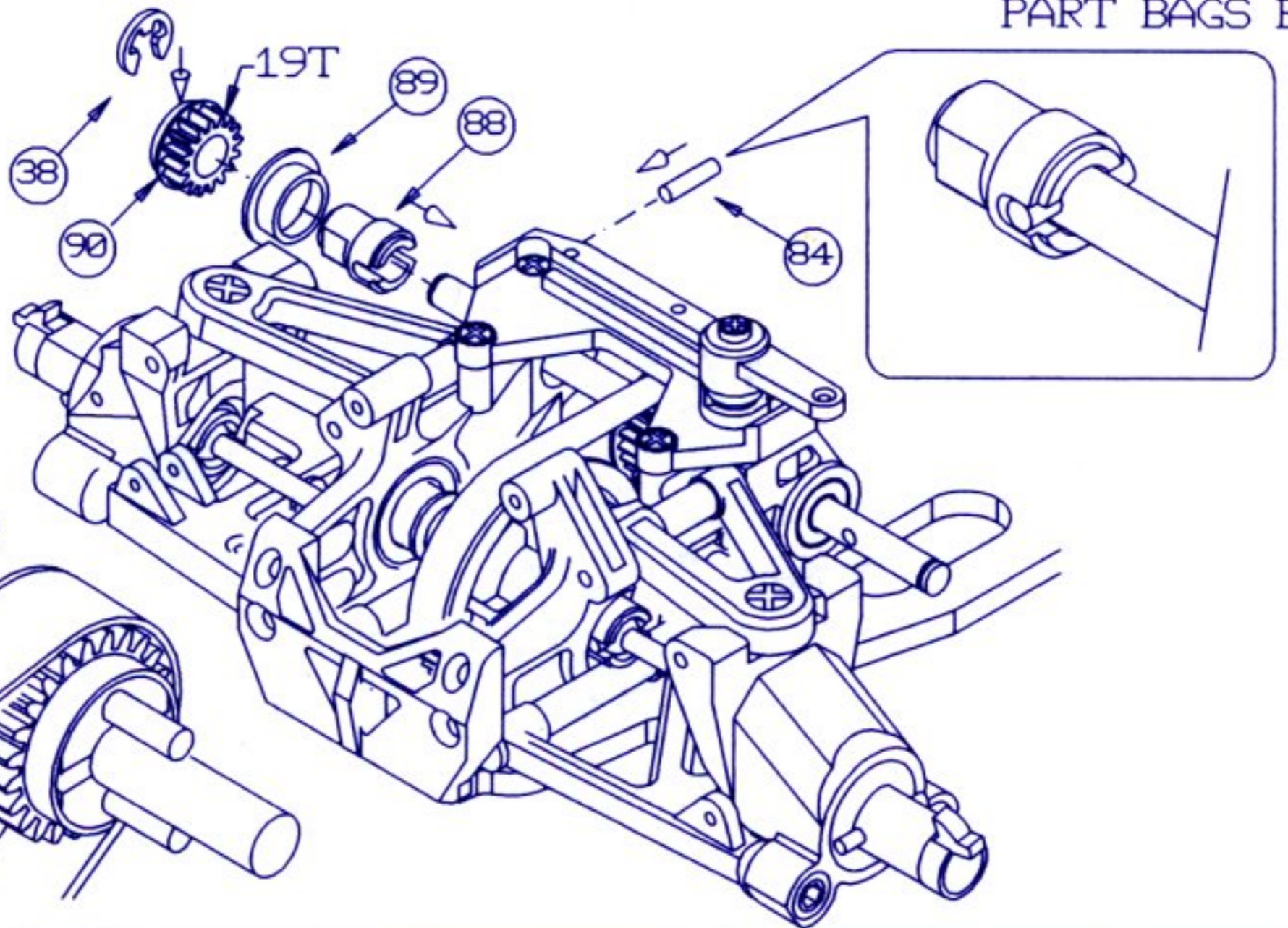


SMALL PARTS



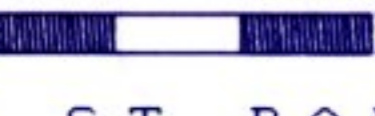
(84)  O X1
PIN 12MM
 (38)  X1
EC 5MM

PART BAGS E

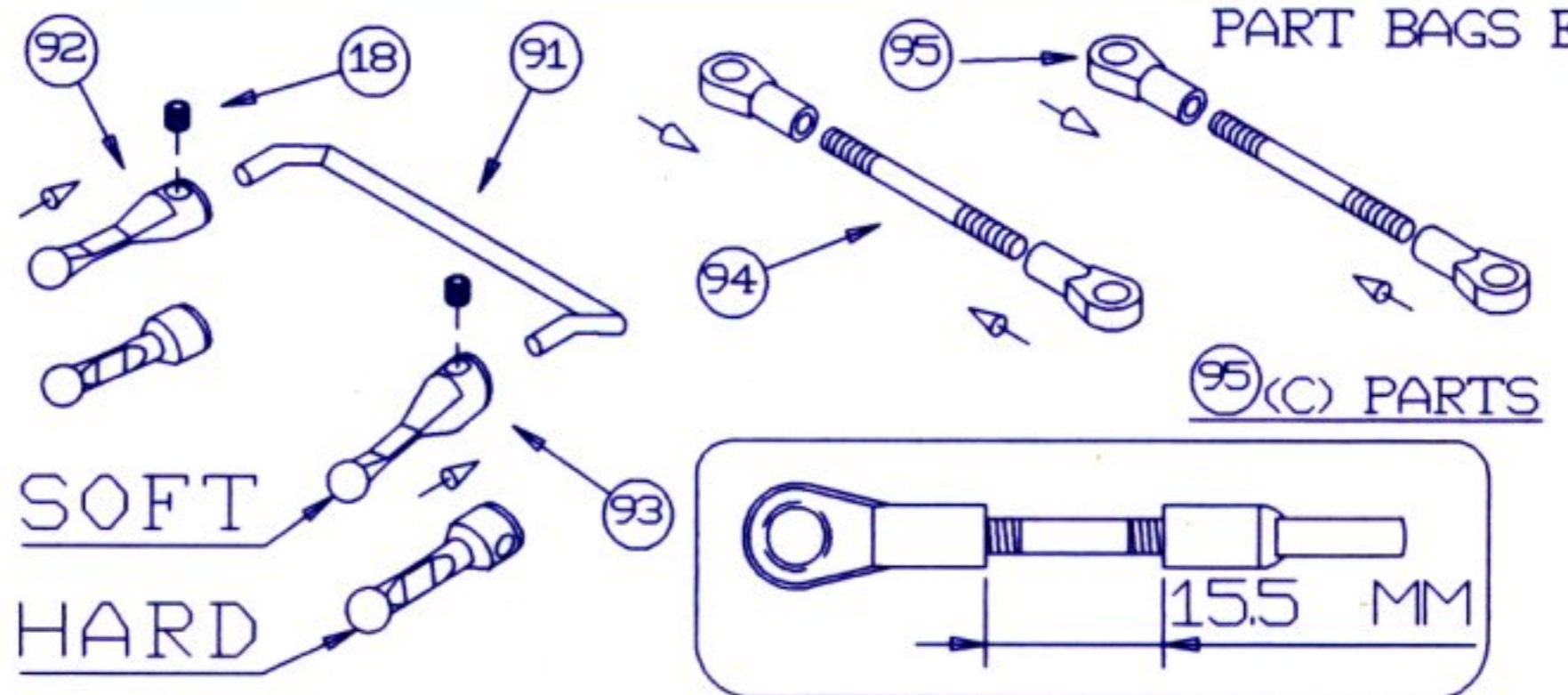
SET BELT ON GEAR




SMALL PARTS

(18)  X2
SCB M4*4
 (92)  X2
RST BAR
 (94)  X2
RST ROD

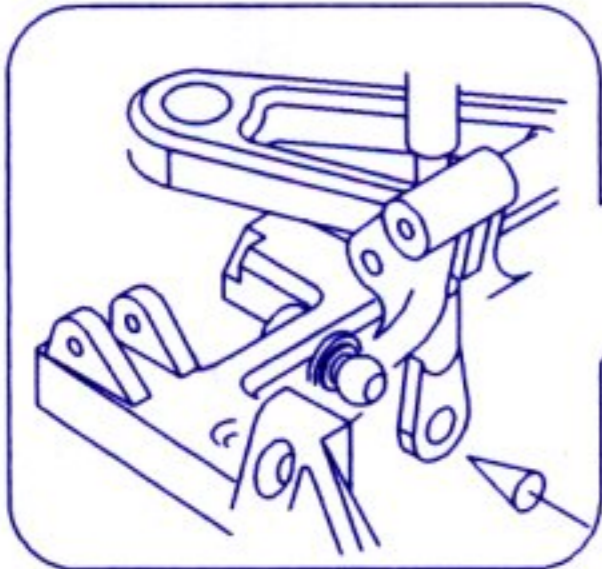
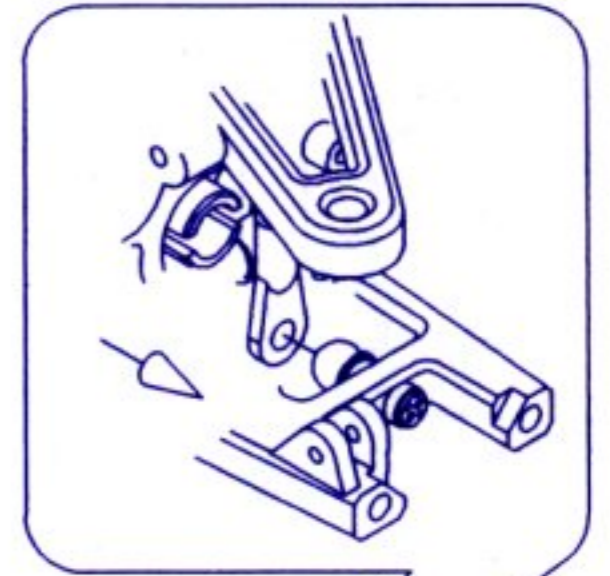
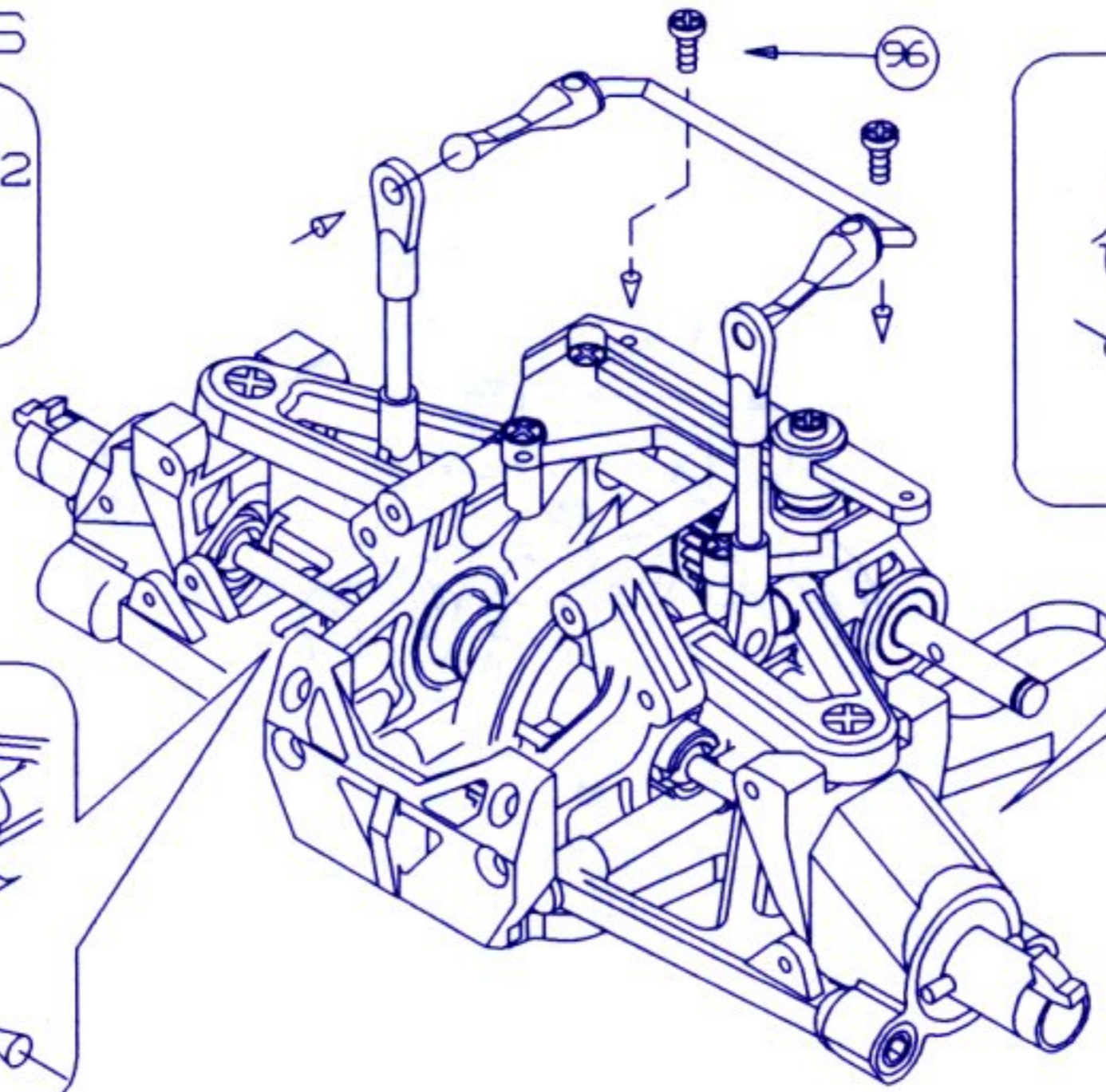
PART BAGS E







SMALL PARTS


 X2
RHT M3*6

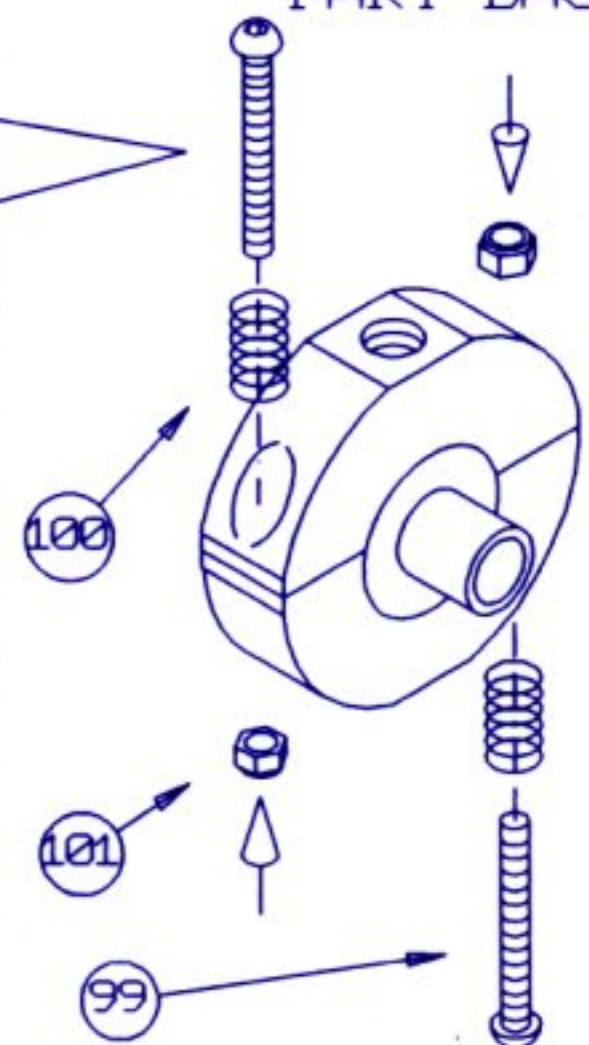
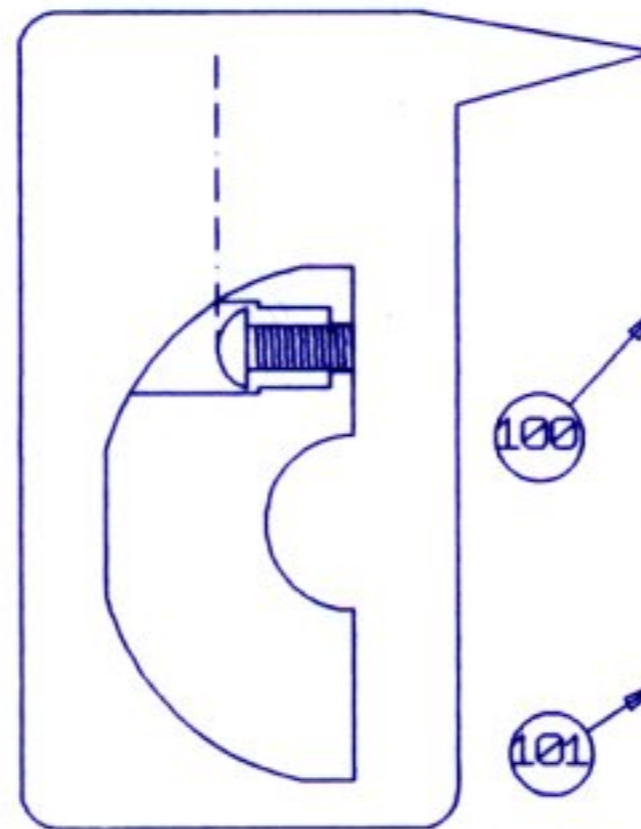
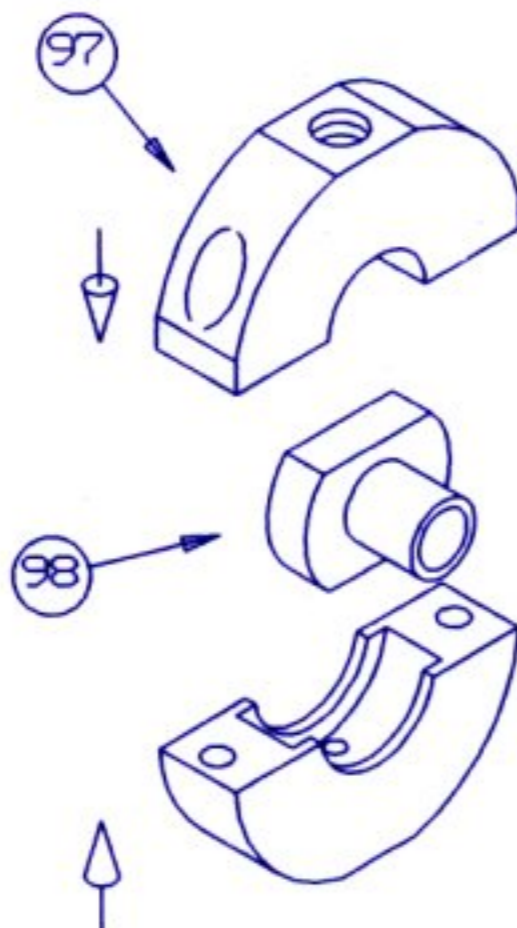
PART BAGS E



SMALL PARTS

 X1
2SC MOUNT
 X2
RHC M3*16
 X2
2SC ADJSPRING
 X2
M3 NYN

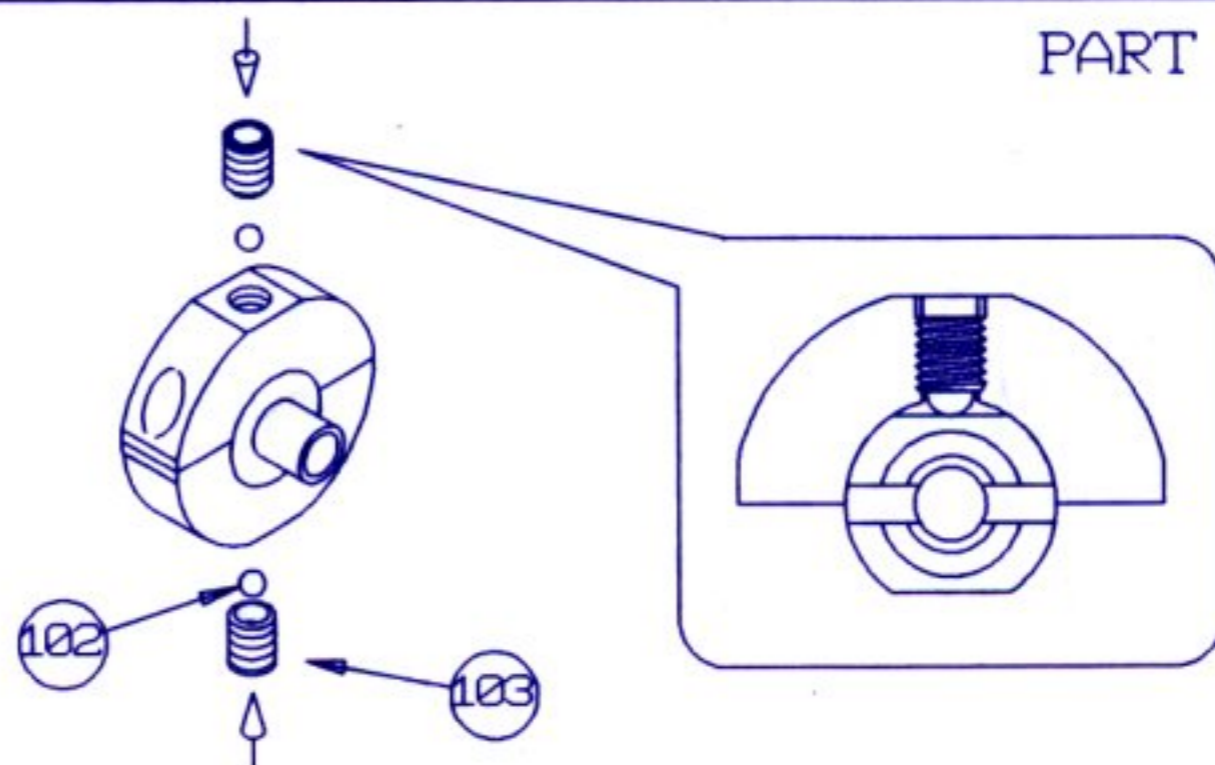
PART BAGS F



SMALL PARTS

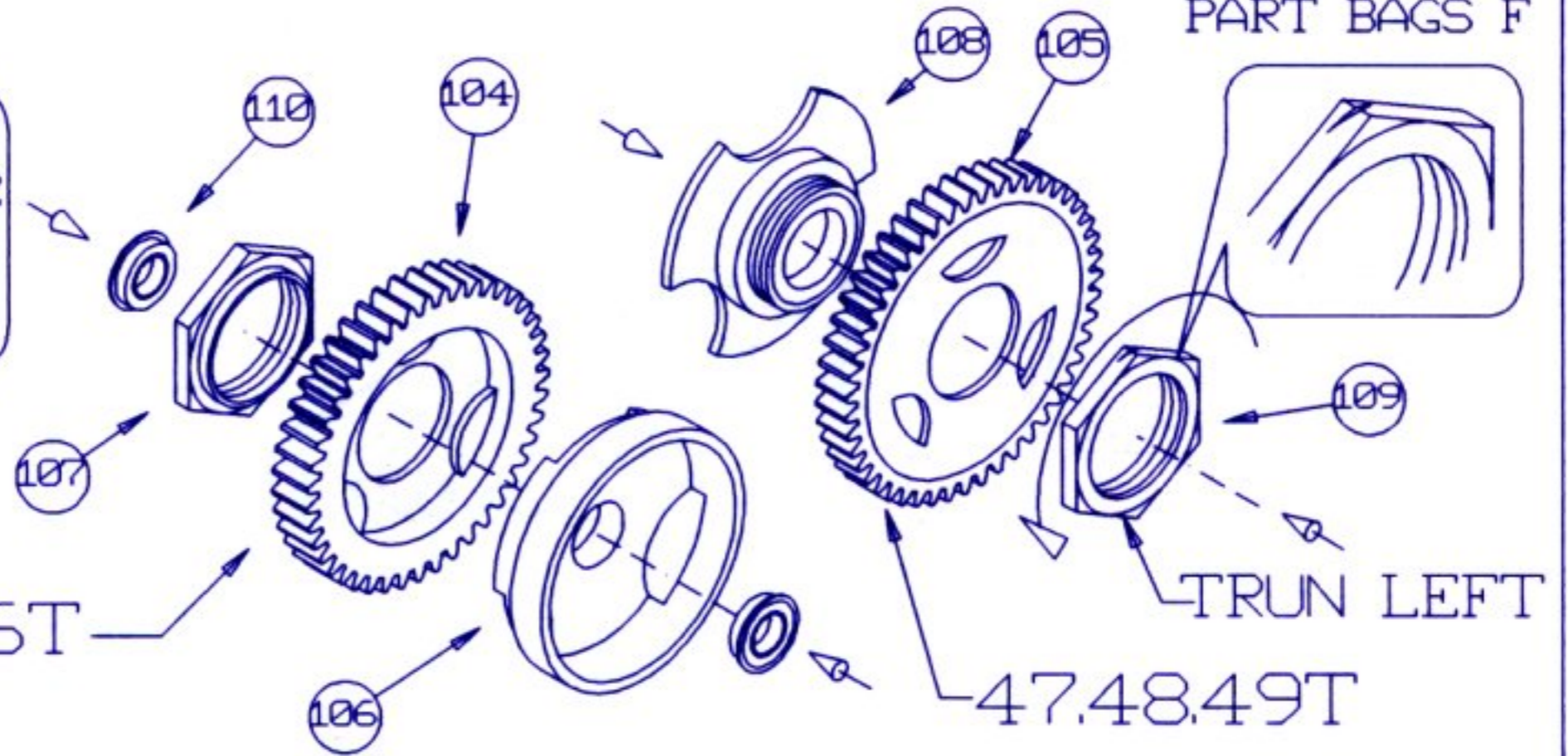
 X2
2S ADJSCREW
 X2
M4 STBALL

PART BAGS F



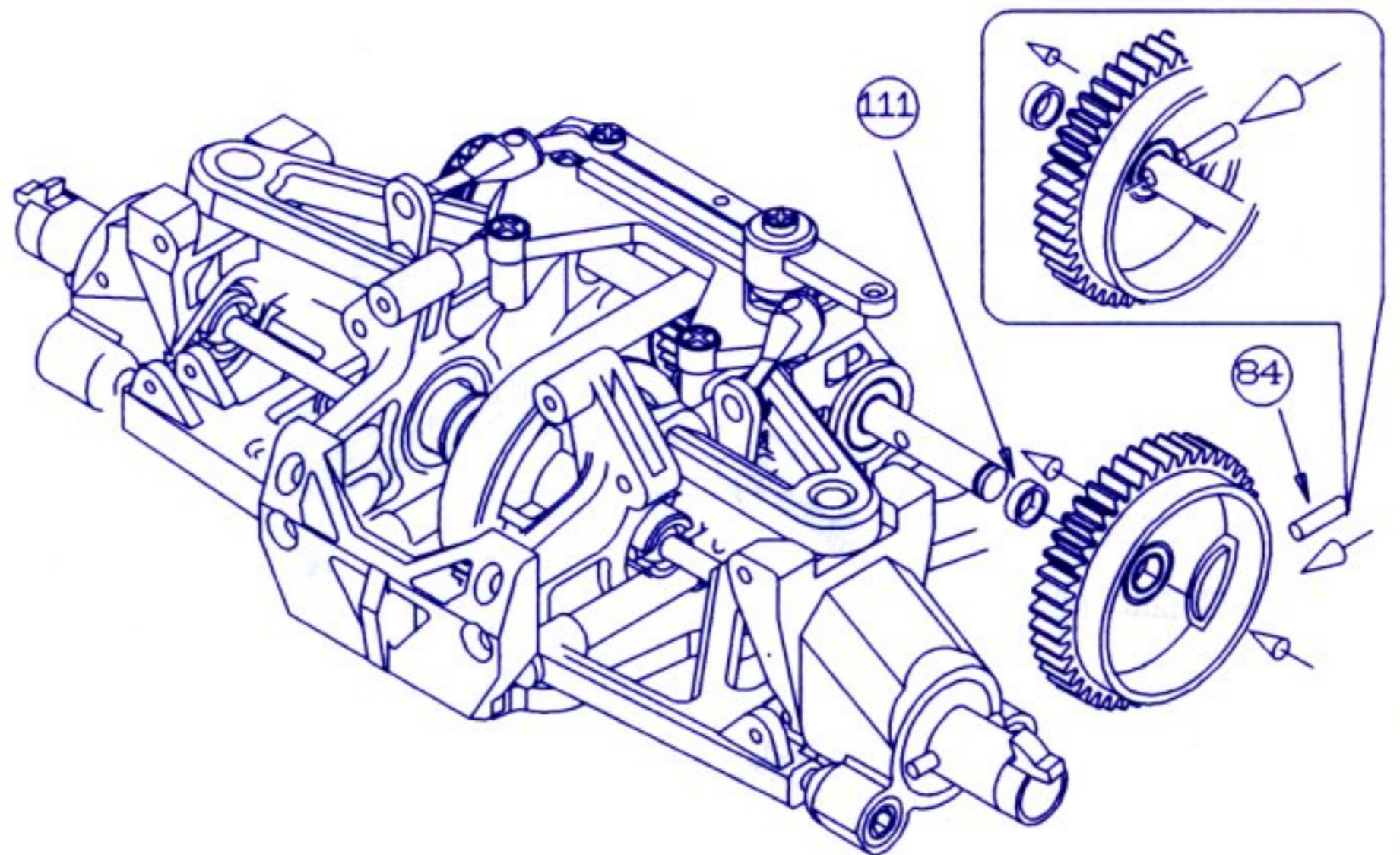
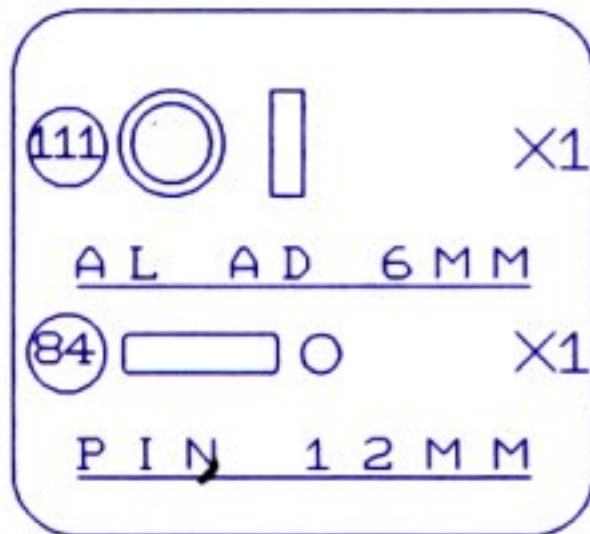
S,ALL PARTS

PART BAGS F



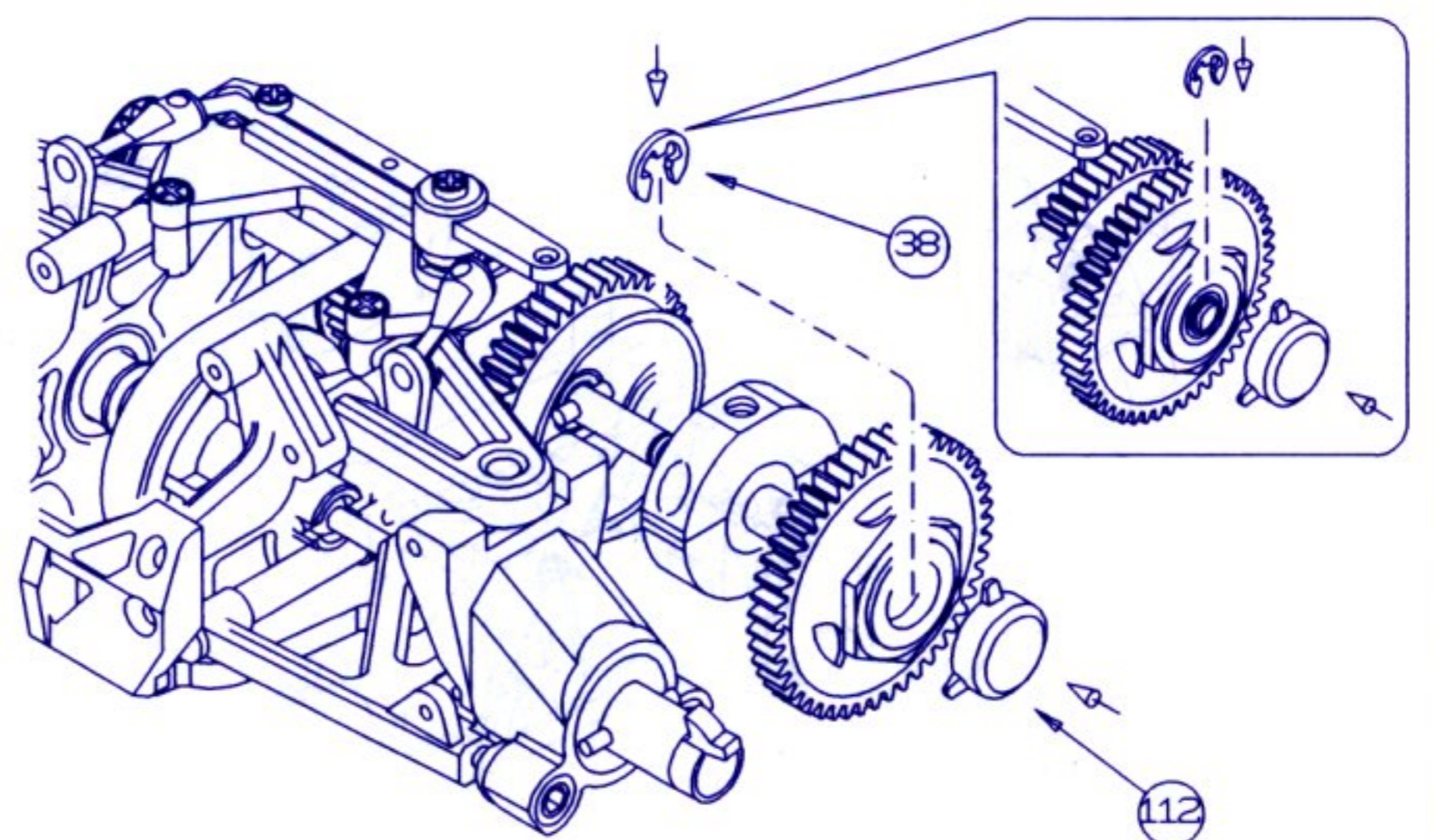
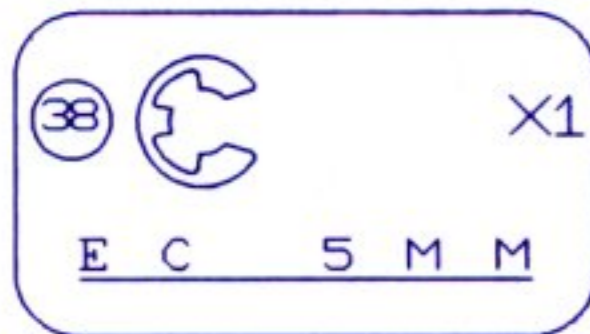
S,ALL PARTS

PART BAGS F





S,ALL PARTS

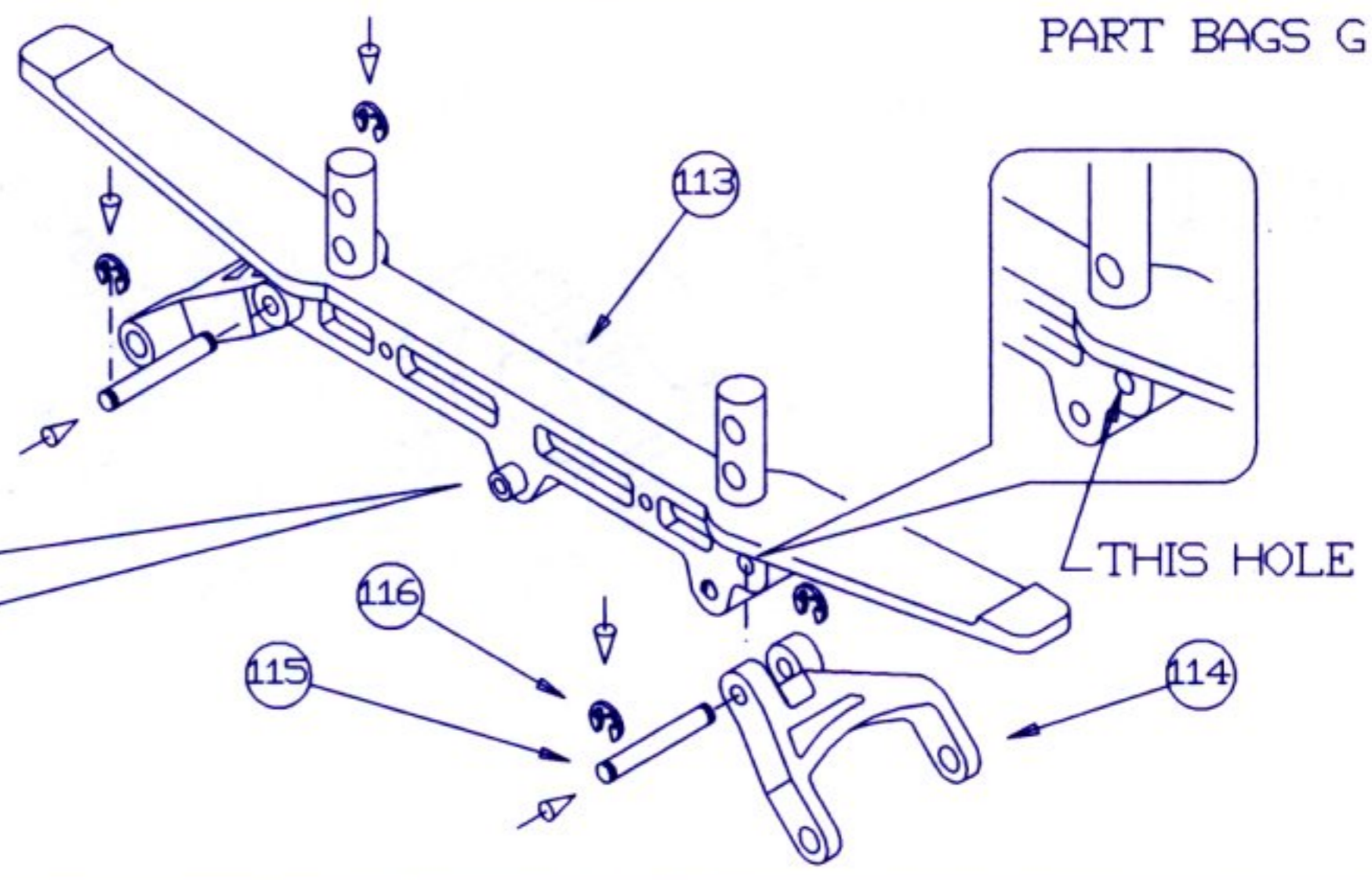
PART BAGS F



ALL PARTS





PART BAGS G

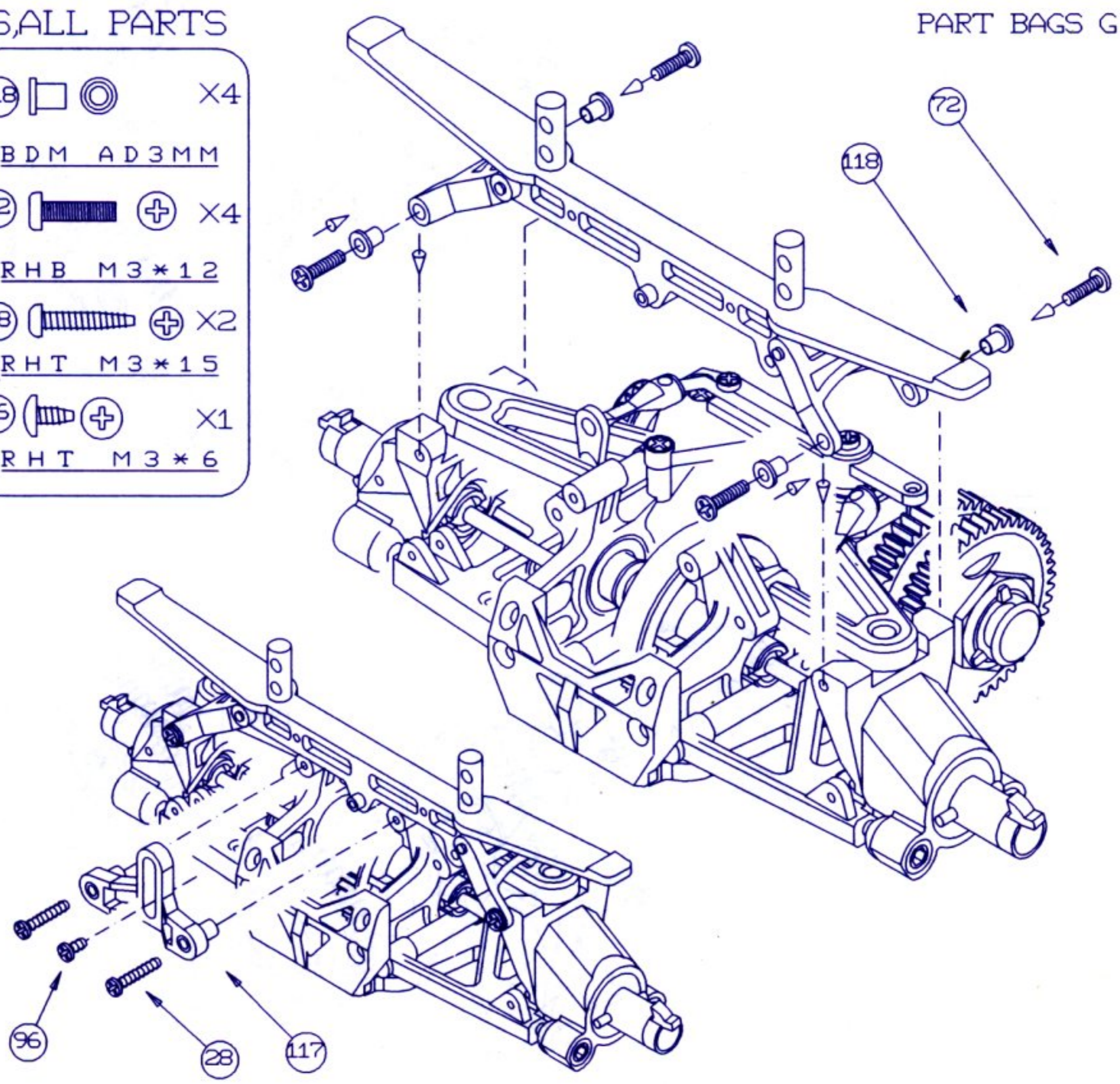
- 115  X2
BDM SHAFT
- 116  X4
EC 2.5MM



ALL PARTS

PART BAGS G

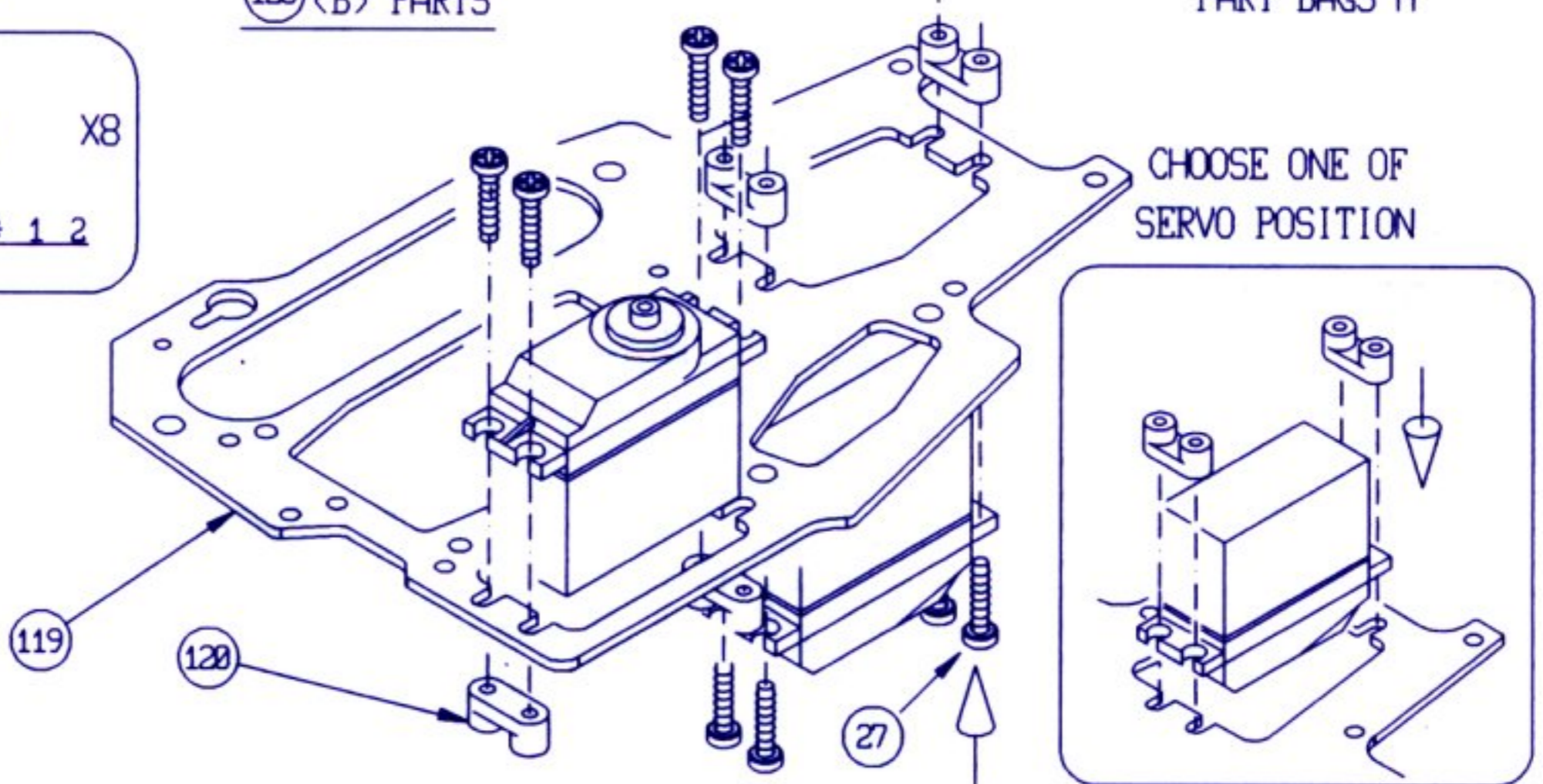
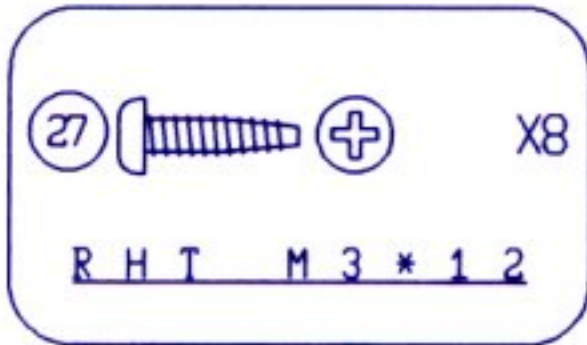
- 118  X4
BDM AD3MM
- 72  X4
RHB M3*12
- 28  X2
RHT M3*15
- 96  X1
RHT M3*6



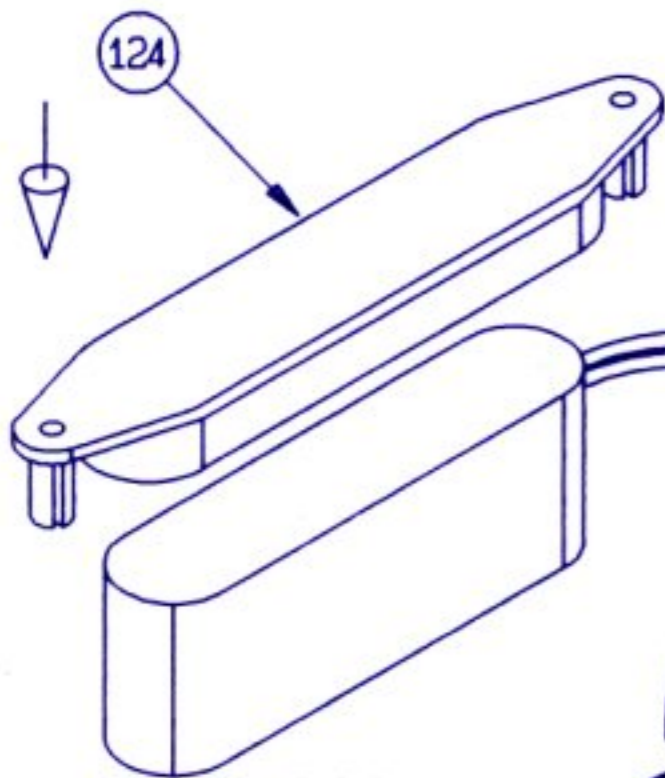
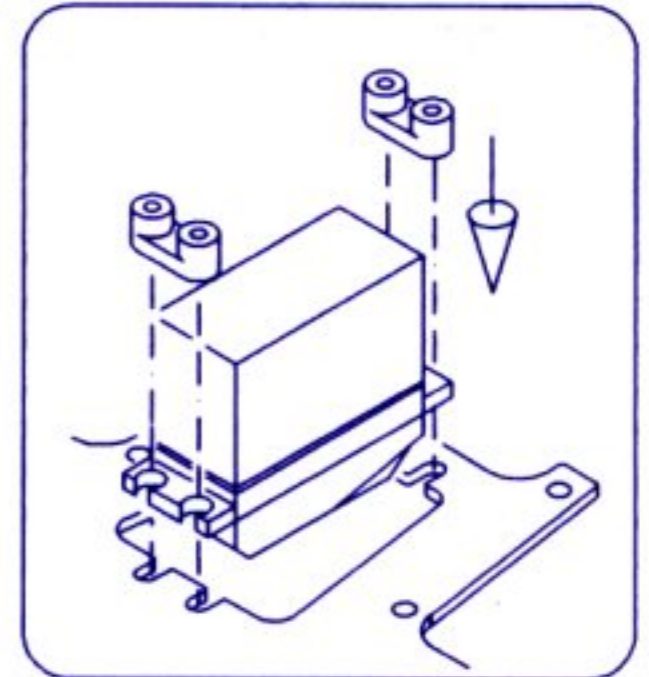
SMALL PARTS

(120) (B) PARTS

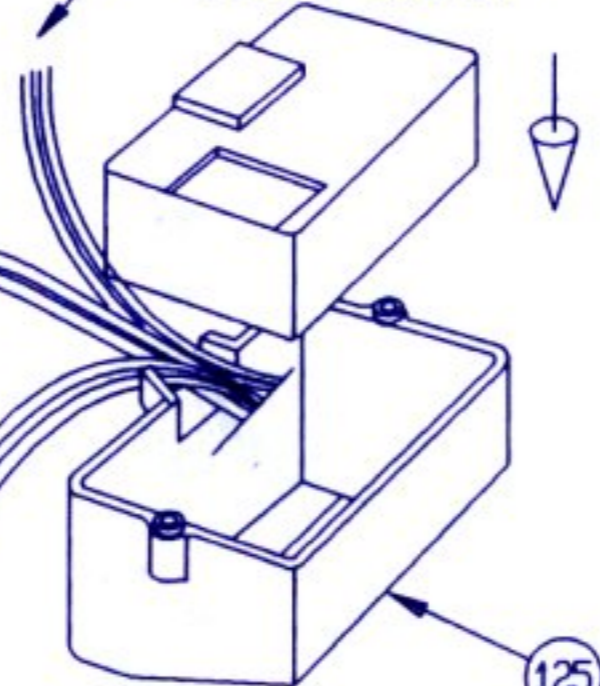
PART BAGS H



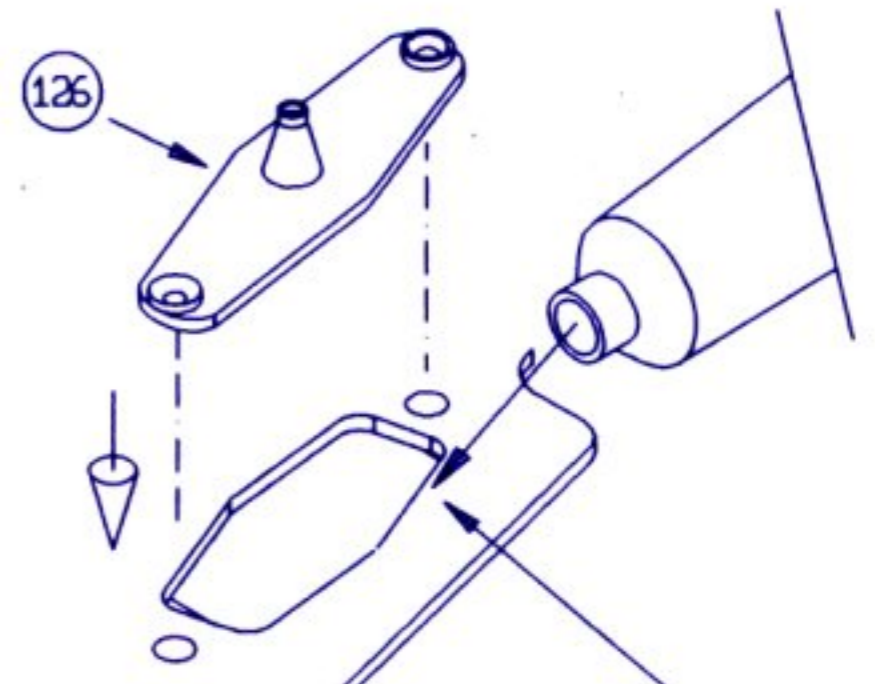
CHOOSE ONE OF SERVO POSITION



FROM SERVO



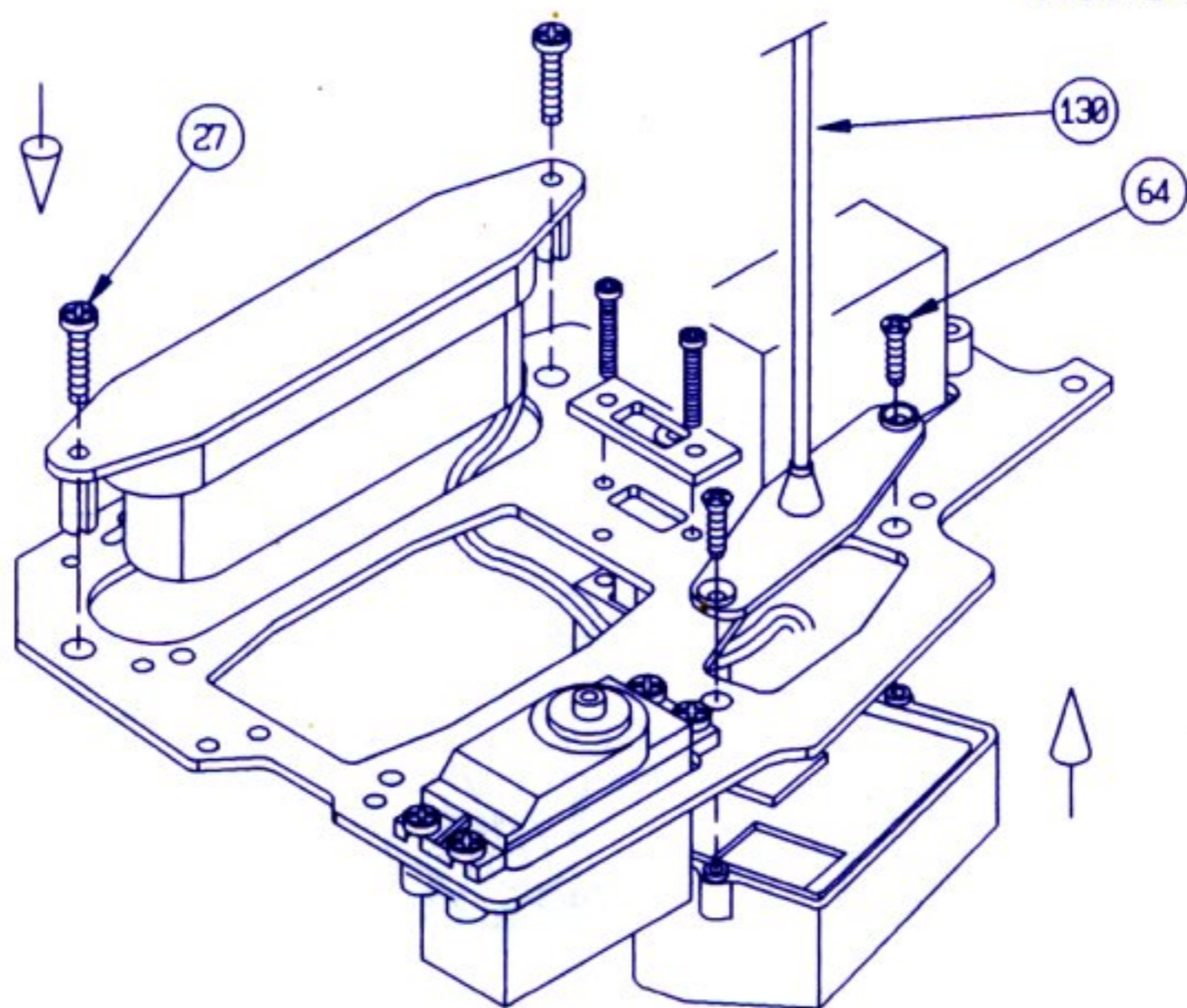
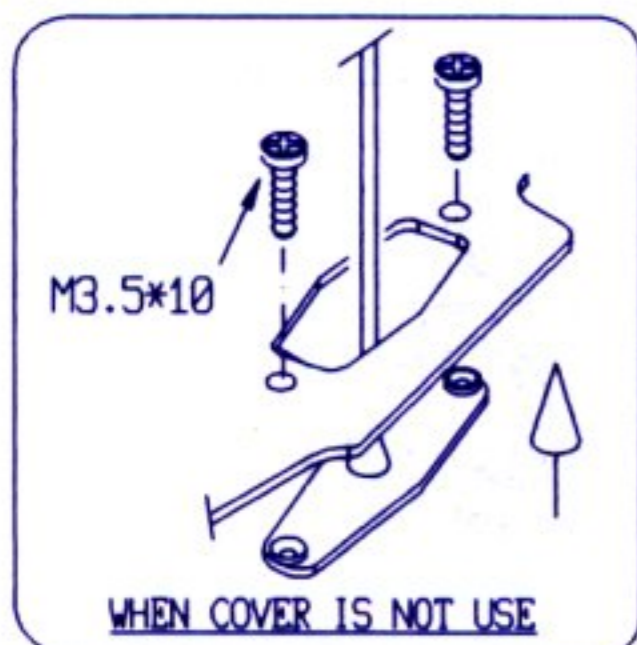
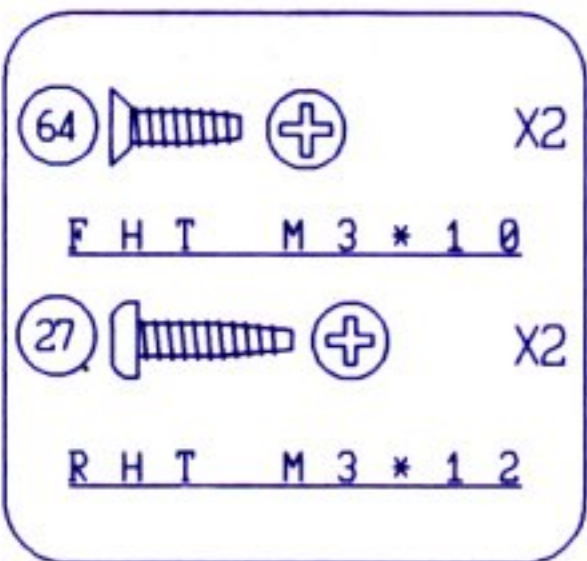
FROM SERVO



APPLY SILICON CEMENT

SMALL PARTS

PART BAGS H



SMALL PARTS

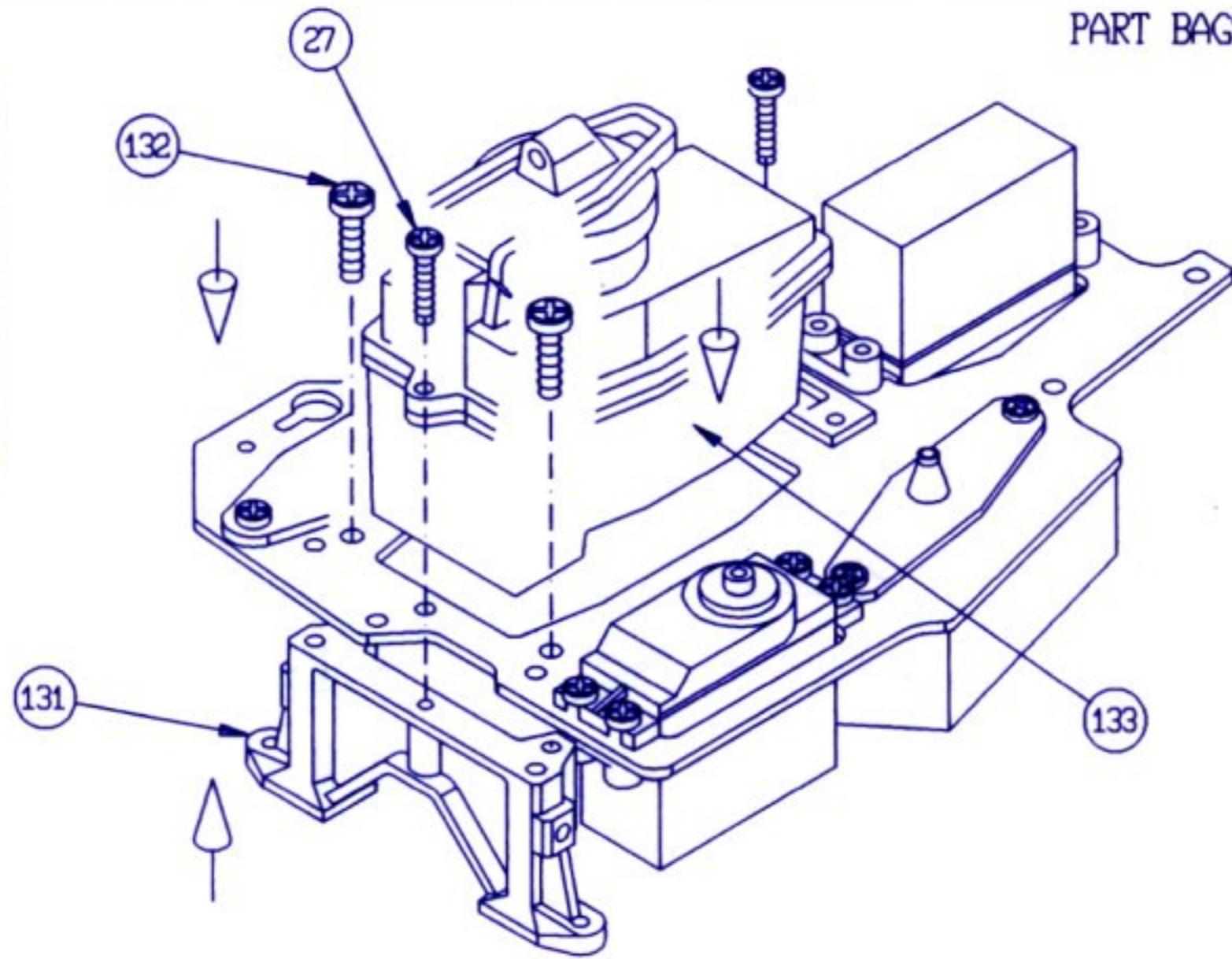
PART BAGS H

132  X2

RHT M3.5*10

27  X2

RHT M3*12



SMALL PARTS

PART BAGS H

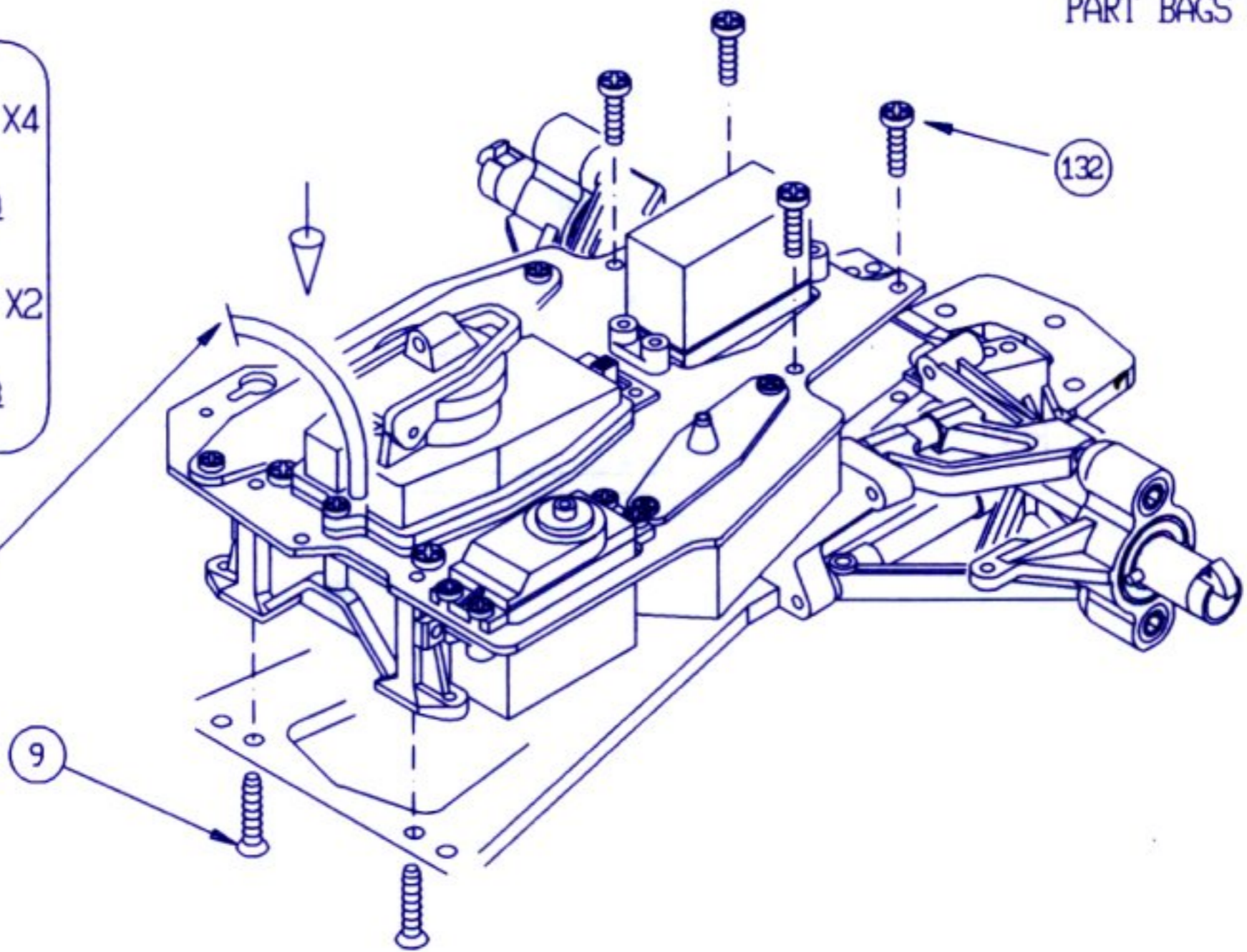
132  X4

RHT M3.5*10

9  X2

FHT M3.5*13

TO ENGINE




SMALL PARTS

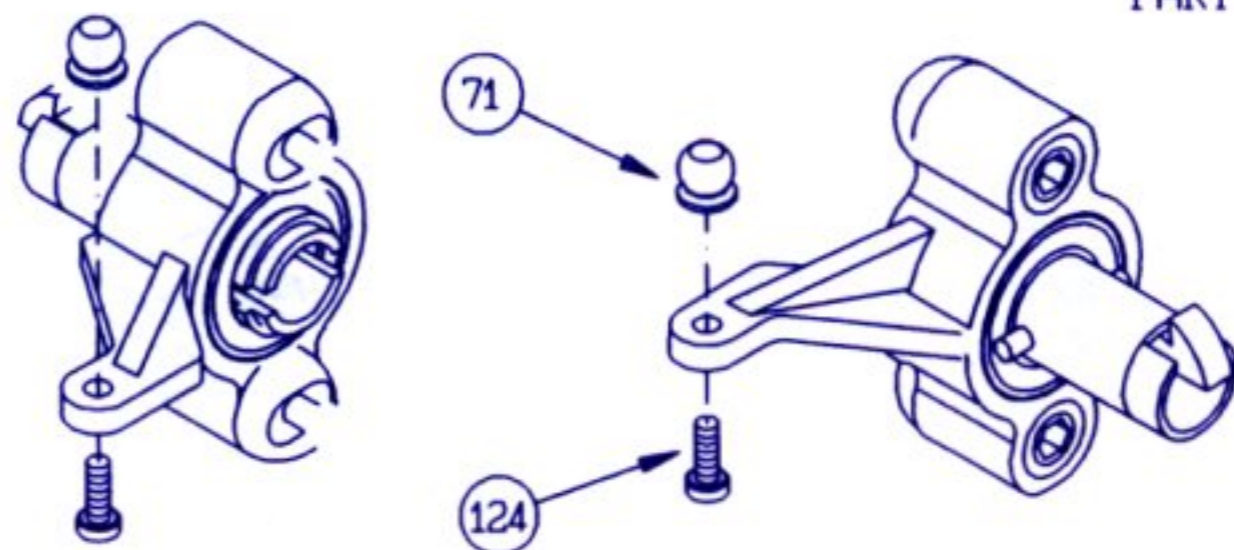
PART BAGS I

71  X2

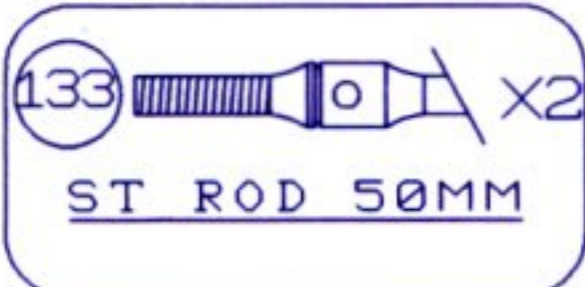
RHB M3*8

124  X2

ST RODBALL 5.8MM

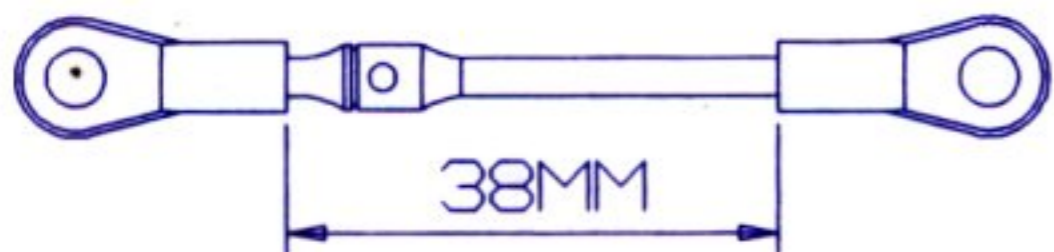
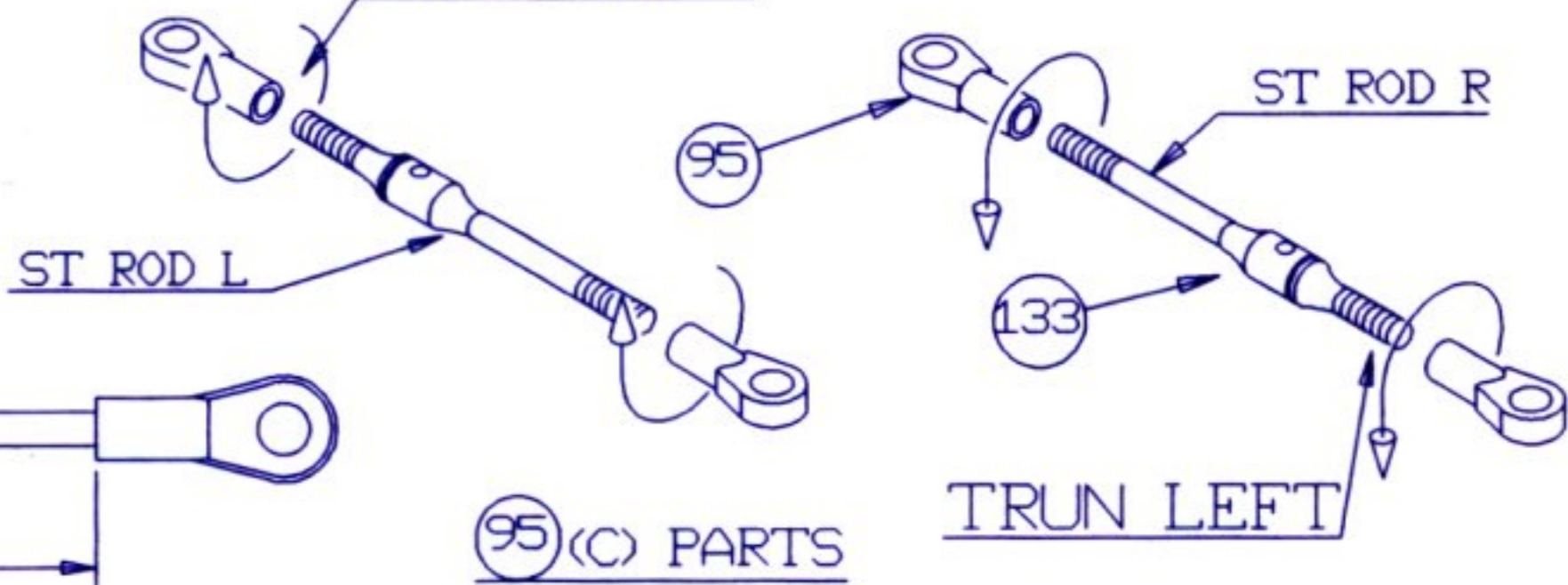


SMALL PARTS



TRUN LEFT

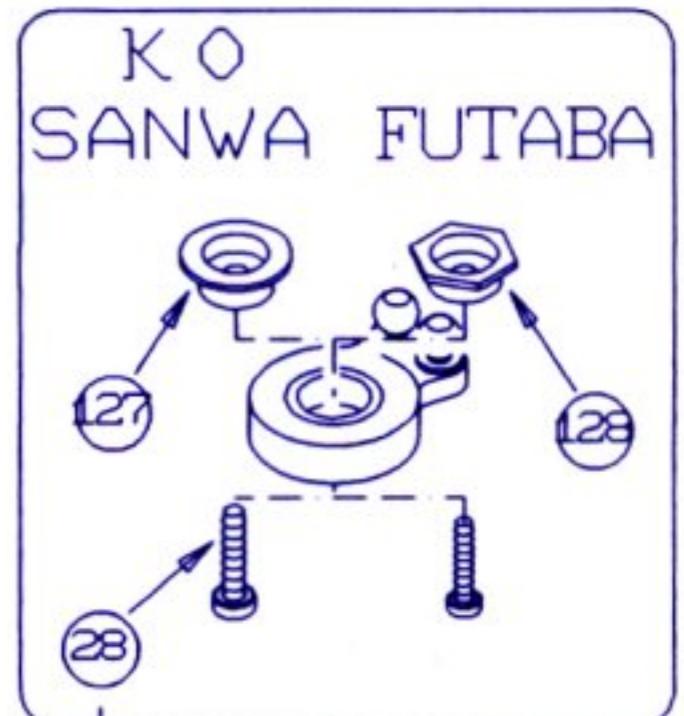
PART BAGS I



SMALL PARTS

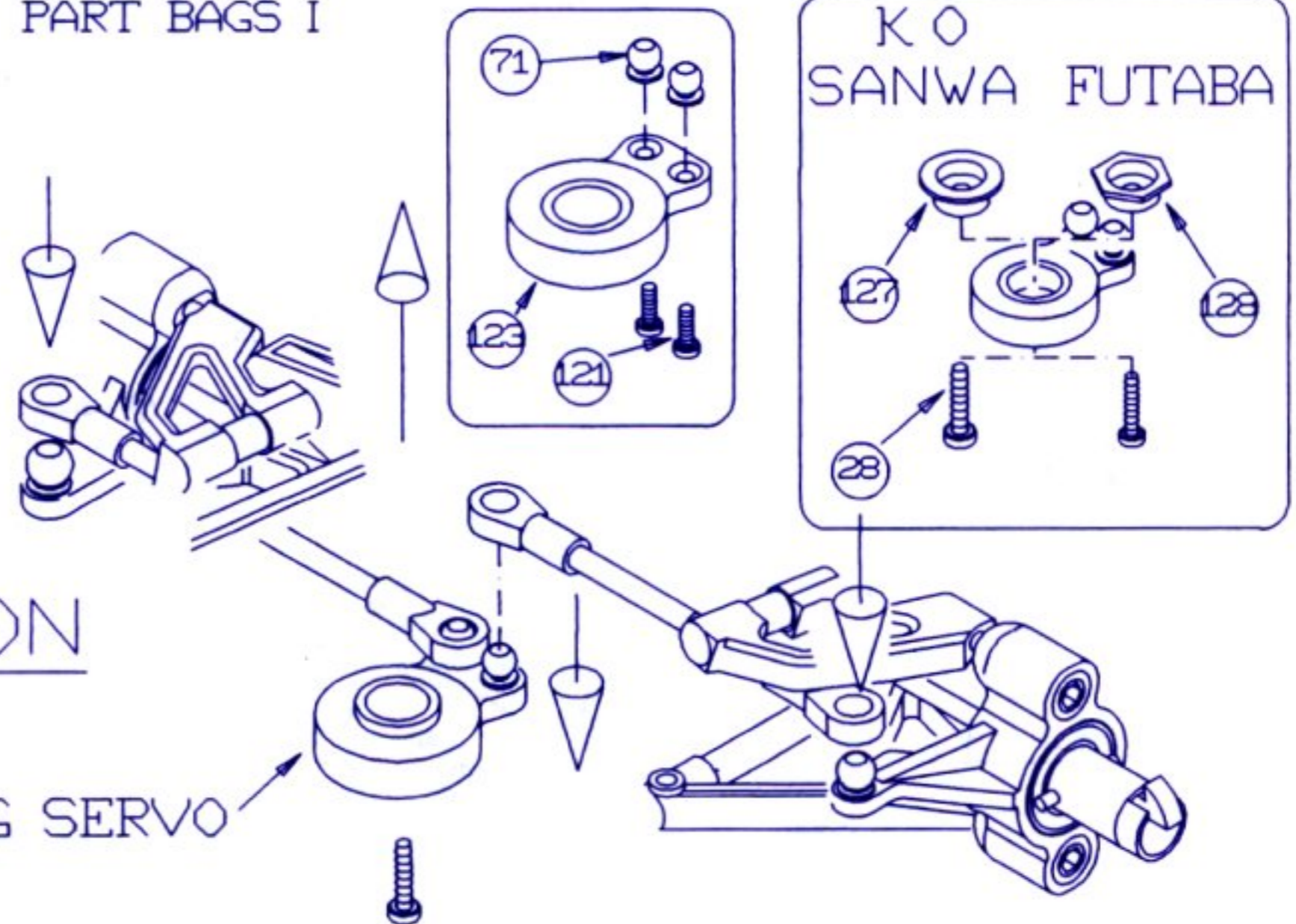


PART BAGS I

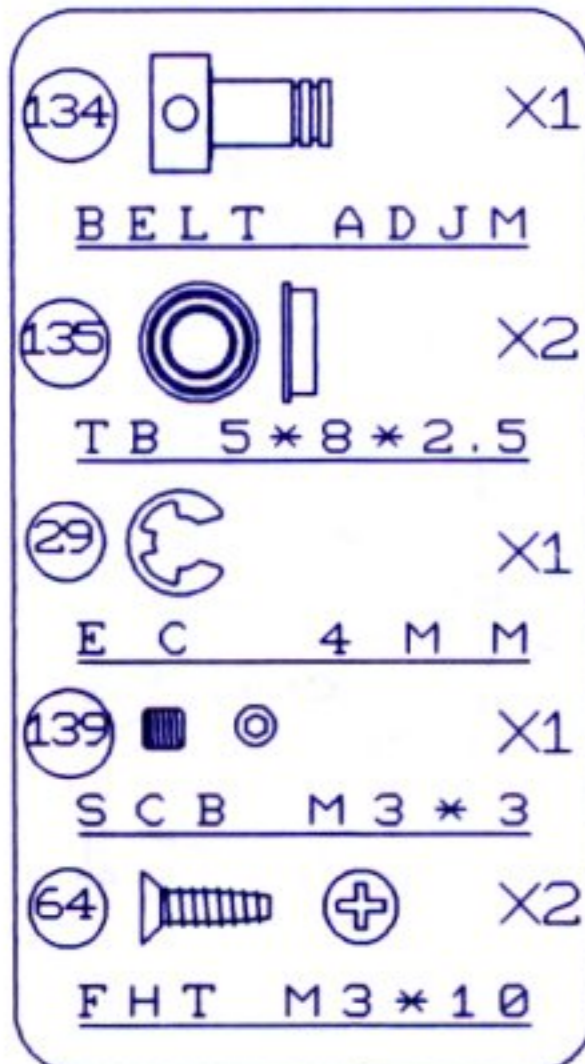


SWITCH ON

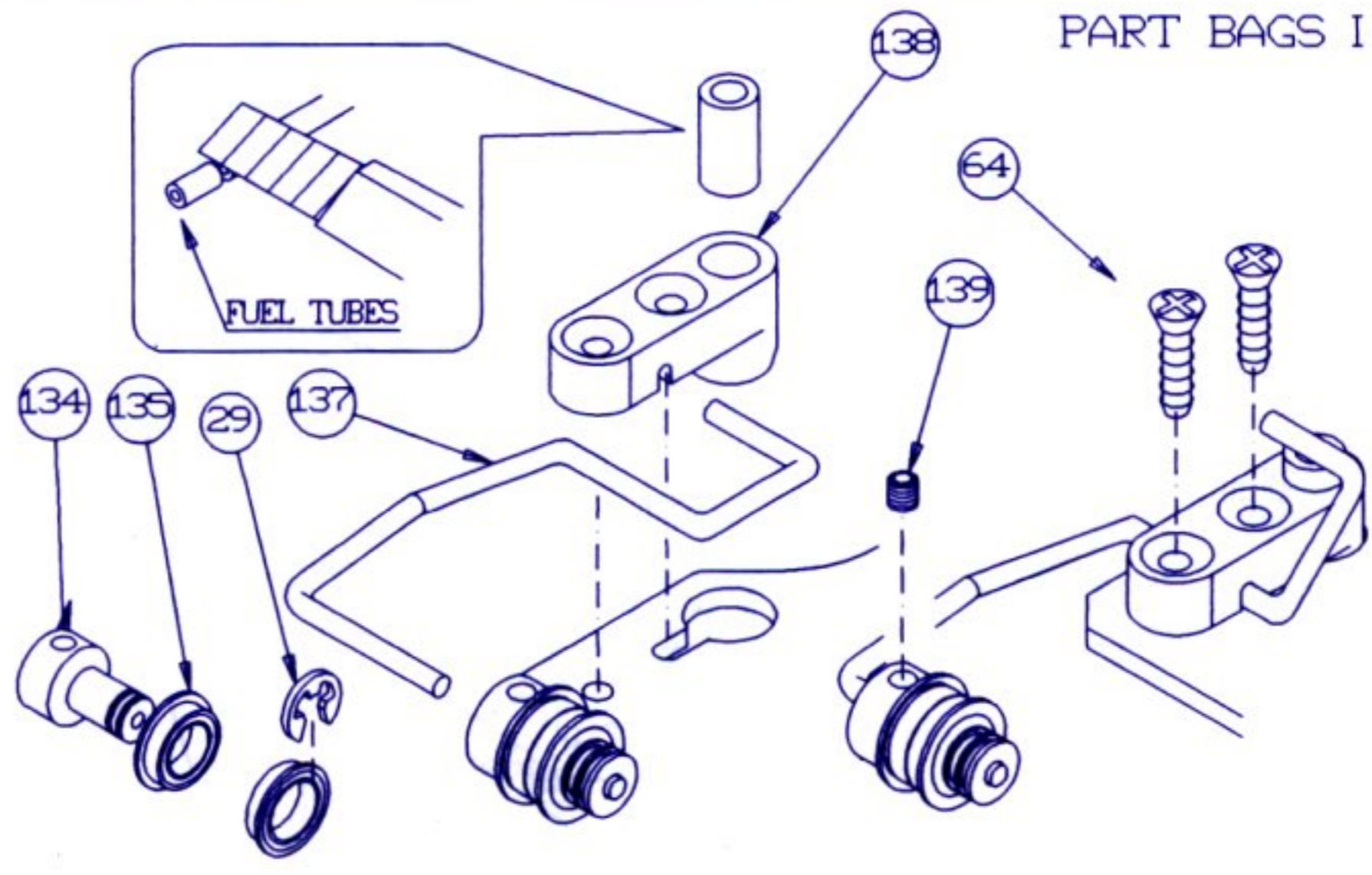
TO STEERING SERVO



SMALL PARTS




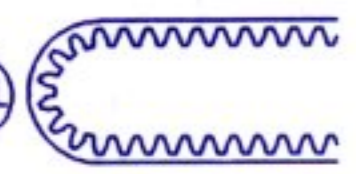
PART BAGS I

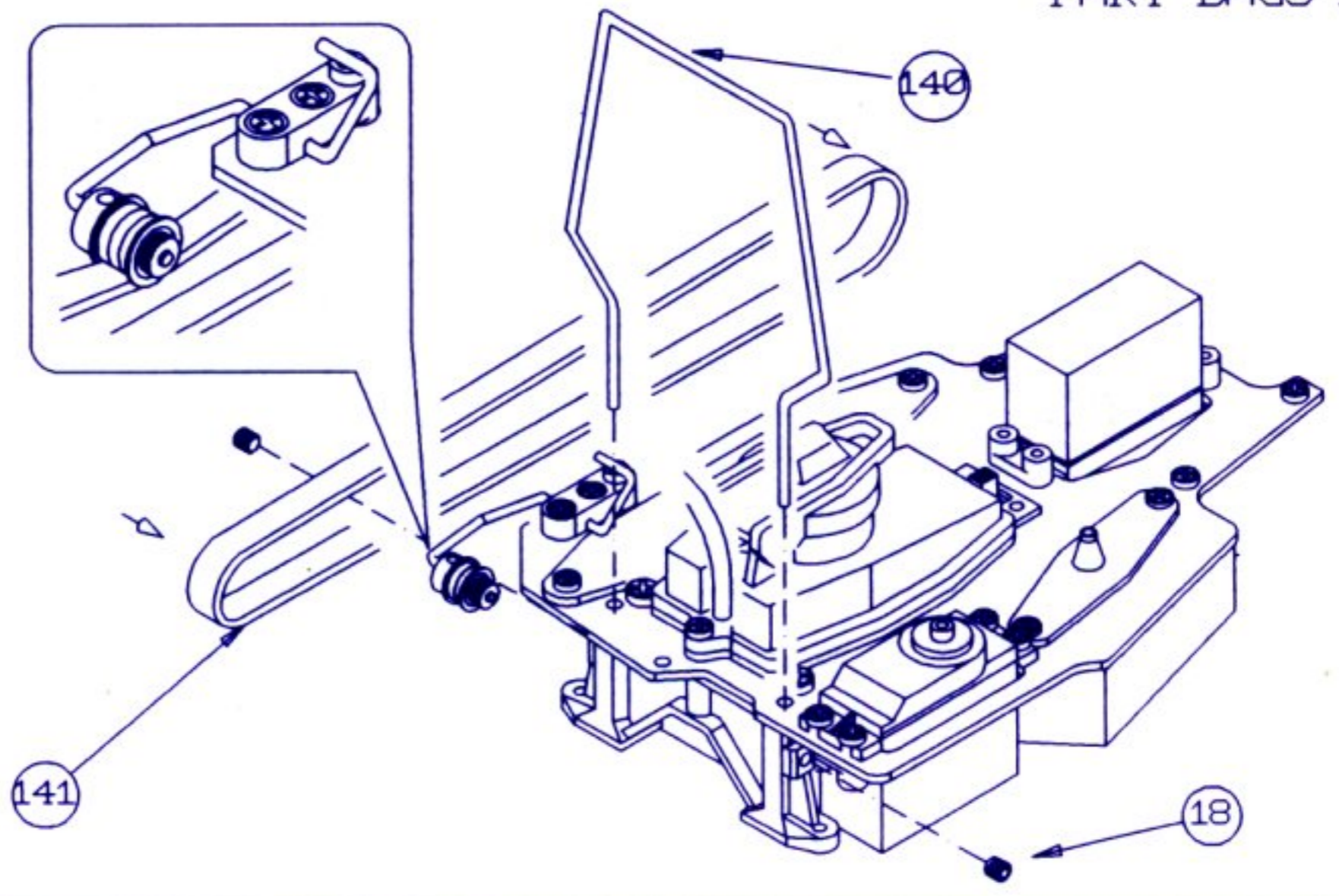


SMALL PARTS

PART BAGS I


(18)  X2
S C B M 4 * 4


(141)  X1
BELT M4 384MM

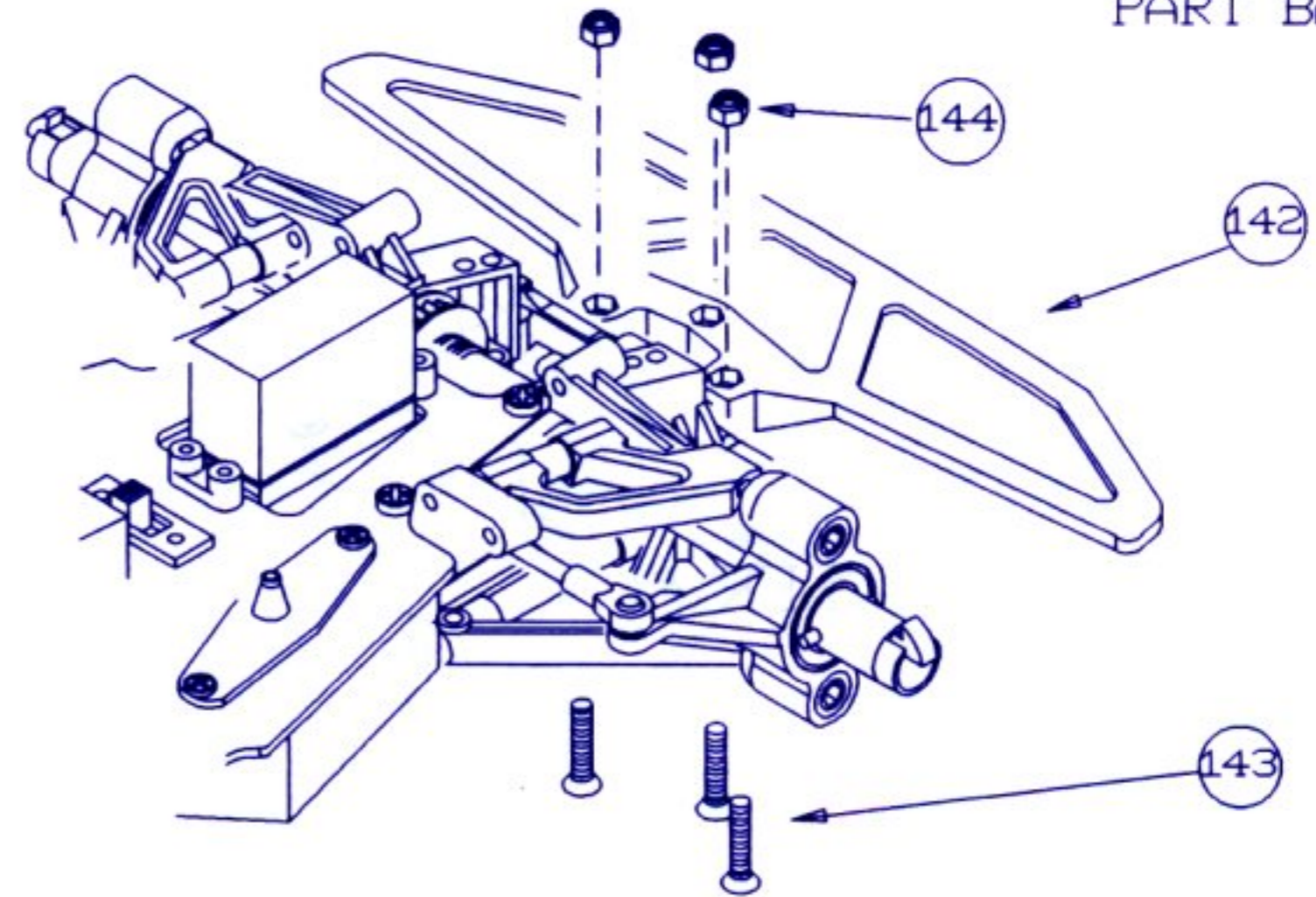


SMALL PARTS

PART BAGS J

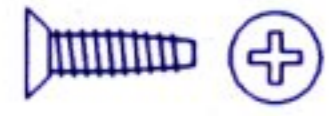
(144)  X3
M 4 N Y N


(143)  X3
F H B M 4 * 12

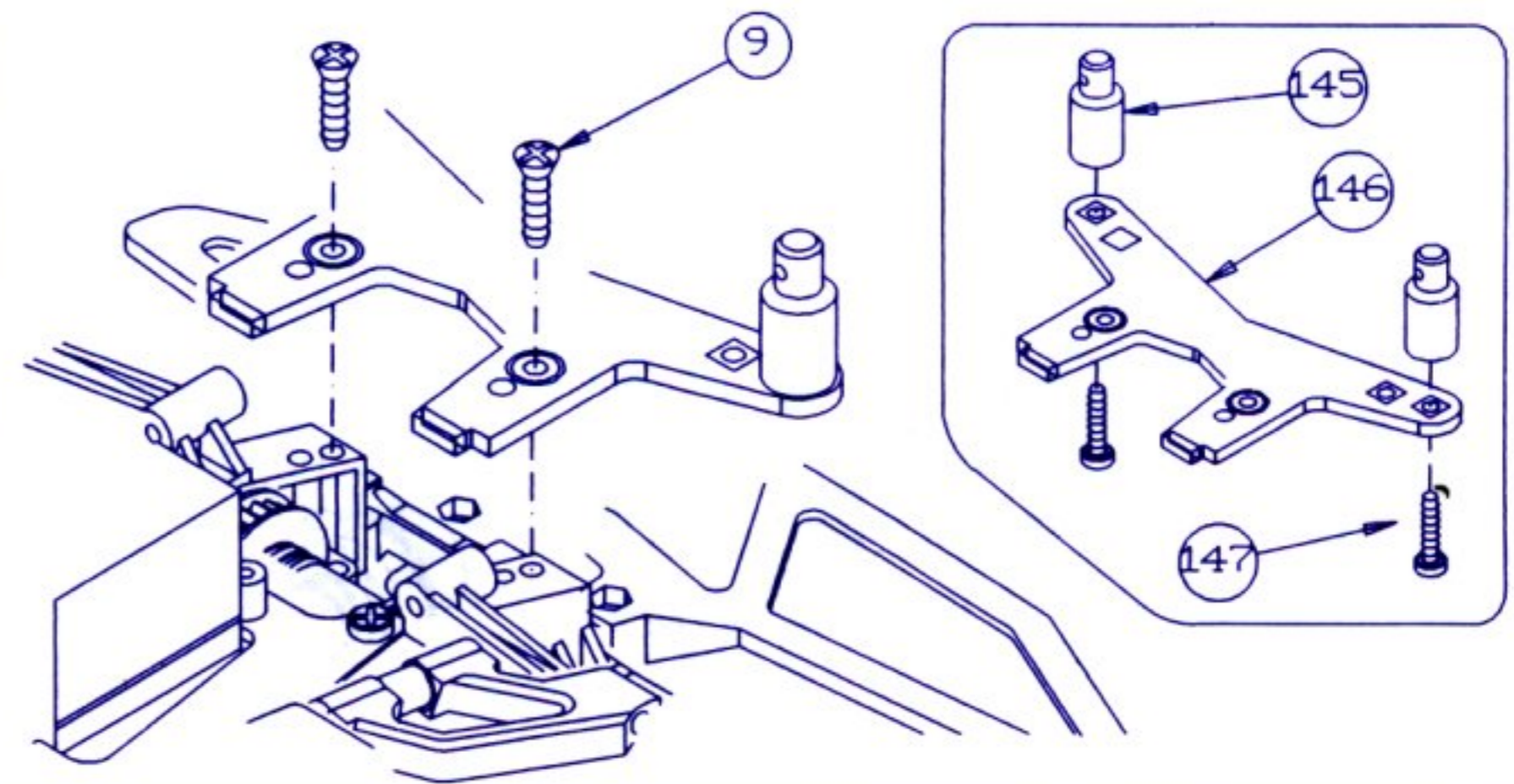


SMALL PARTS

PART BAGS J














 X2
F H T M 3.5 * 13

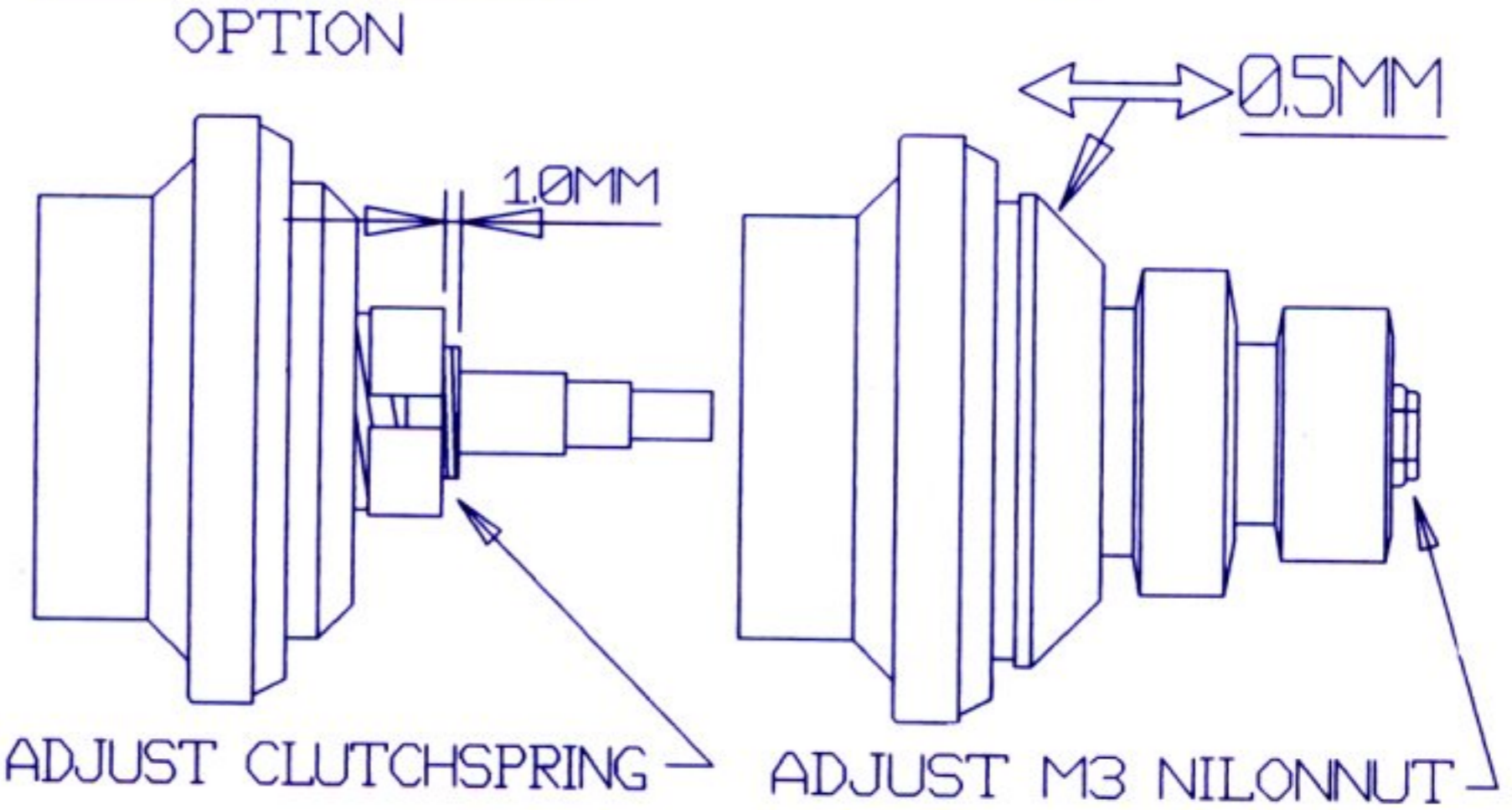
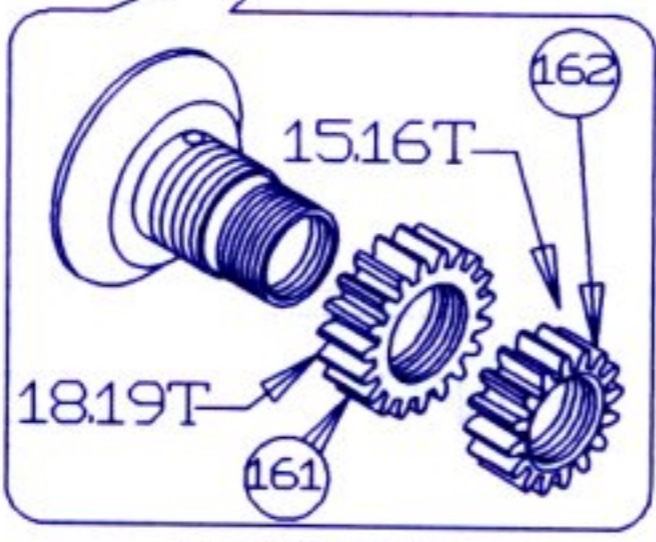
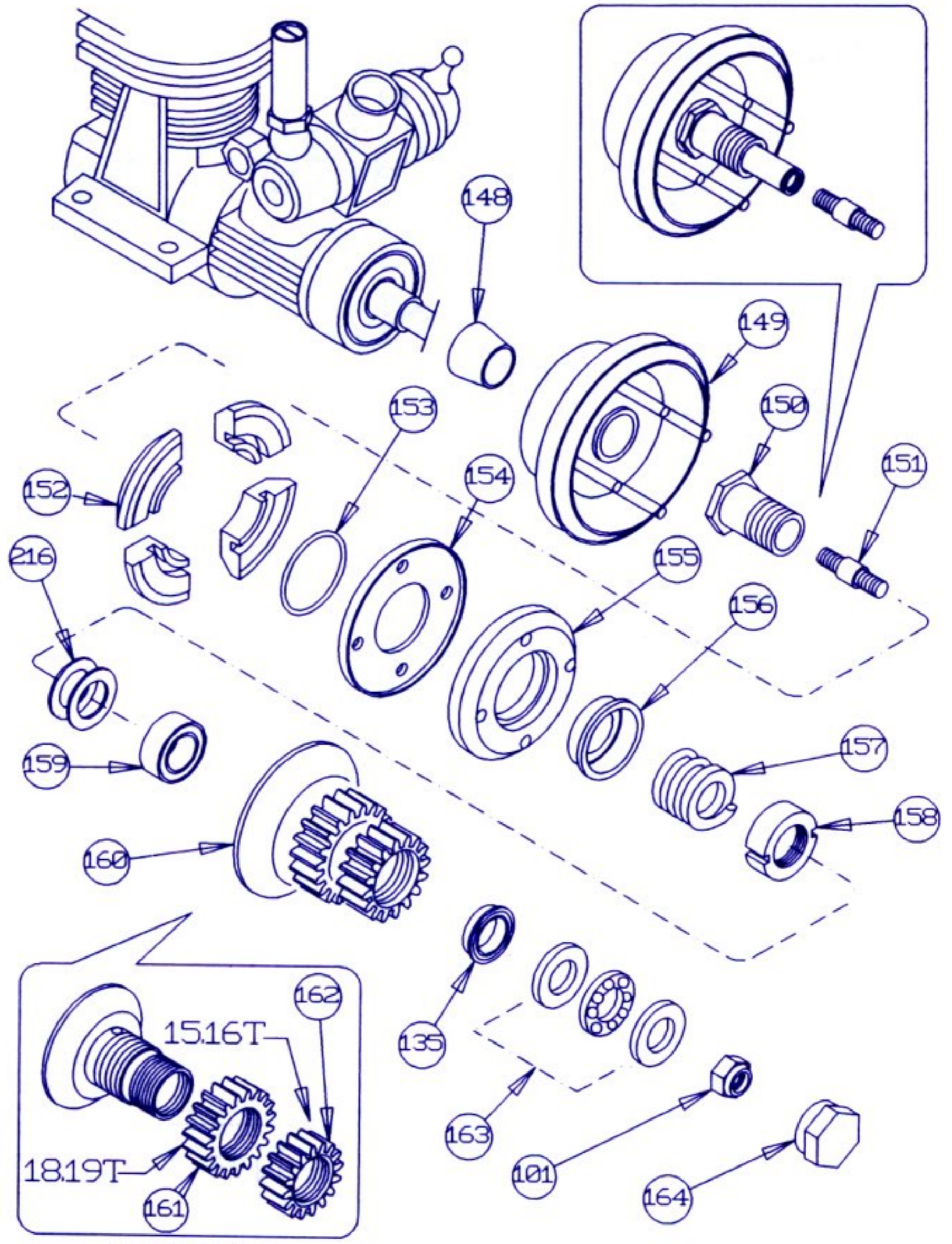
 X2
R H T M 4 * 12



SMALL PARTS


PART BAGS K


- 
X1
ENGINE ADAPTER
- 
X1
ENGINE NUT
- 
X1
DOUBLE SCREW
- 
X1
SPRING 1.6MM
- 
X1
SPRING CUP
- 
X1
CLUTCH SPRING
- 
X1
CLUTCH ADJ NUT
- 
X2
W S 5 M M
- 
X1
BB 5*10*4
- 
X1
TB 5*8*2.5
- 
X1
TRU-BB 4*9*4MM
- 
X1
M 3 N Y N
- 
X1
AL BEARING COVER




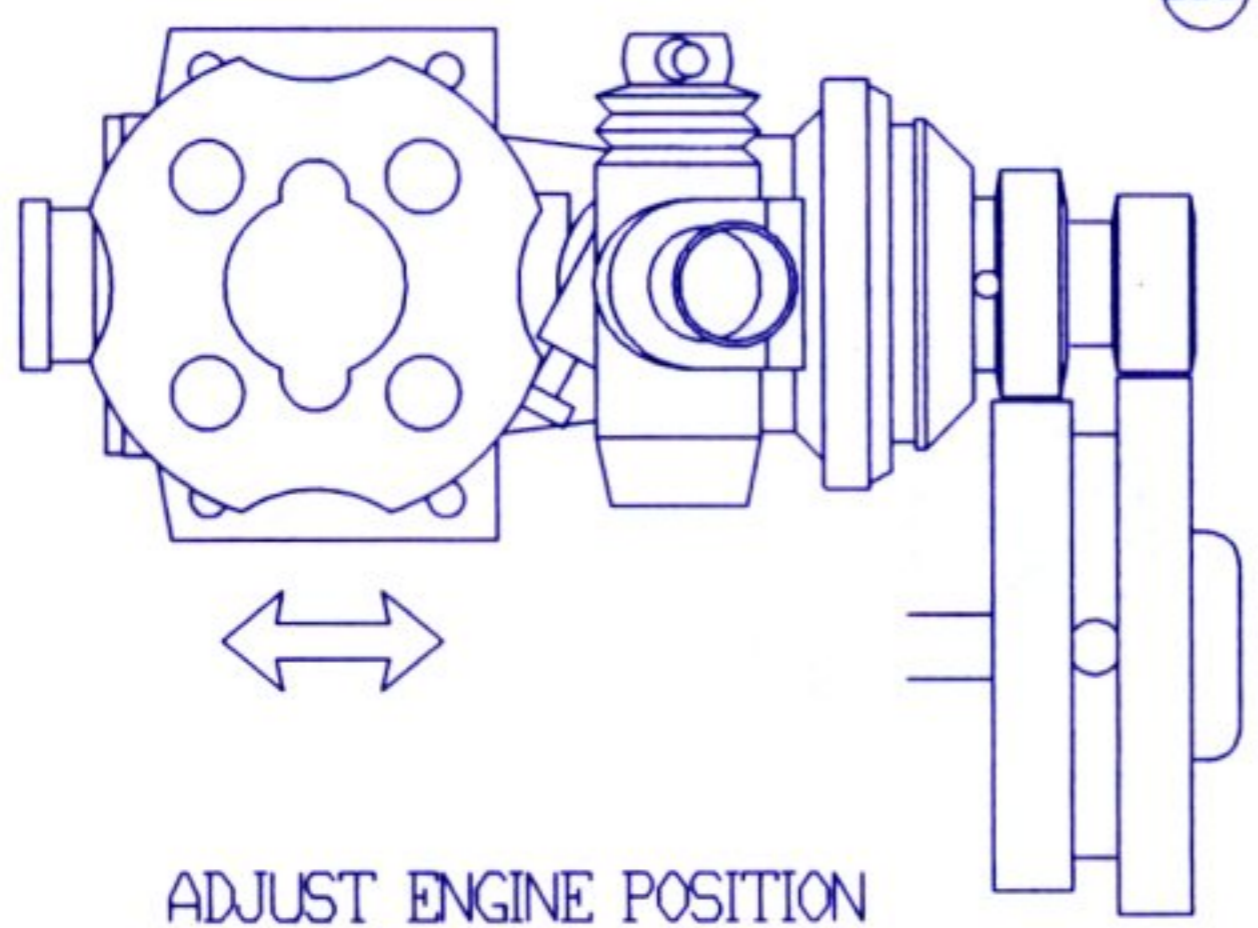
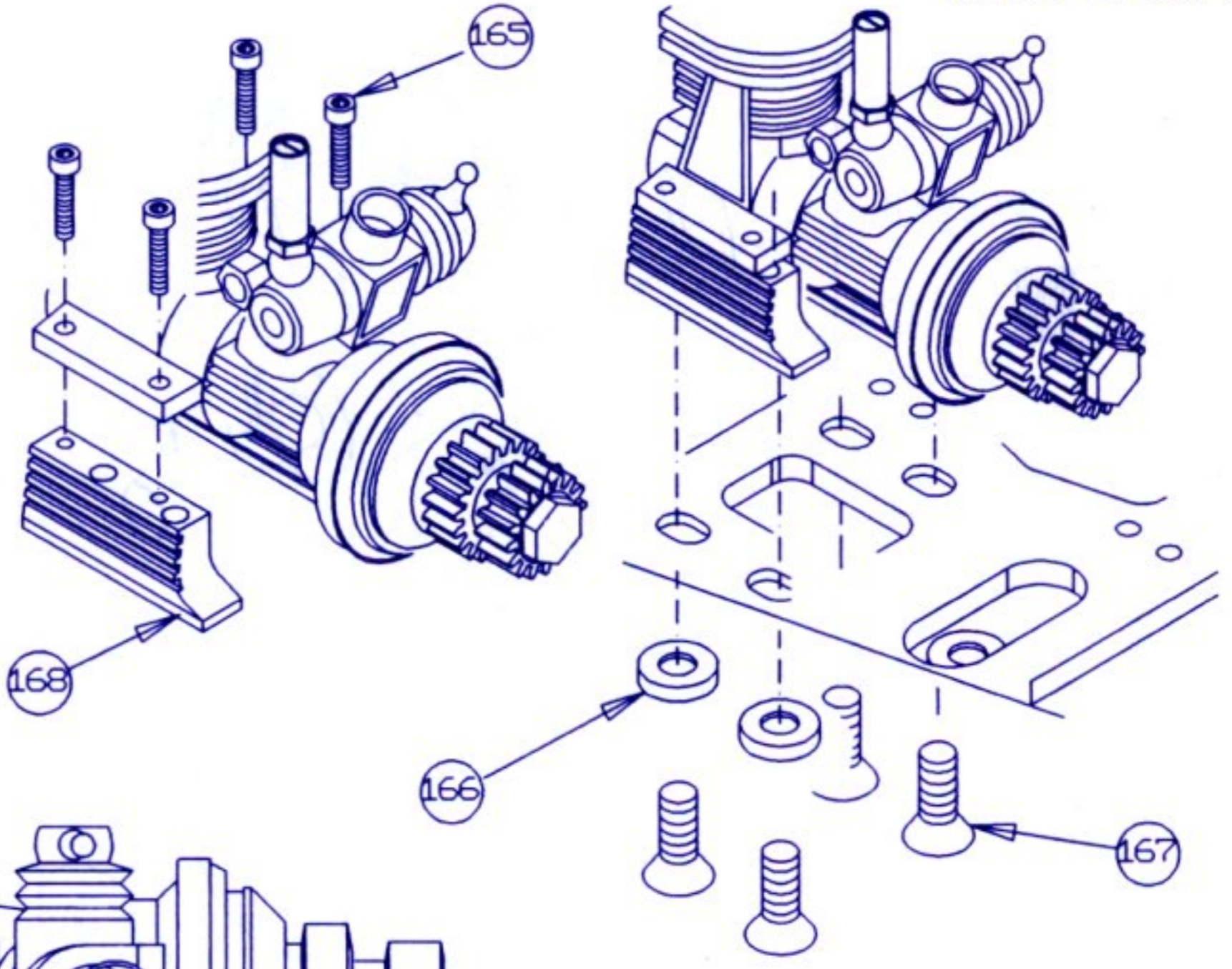
SMALL PARTS

PART BAGS L

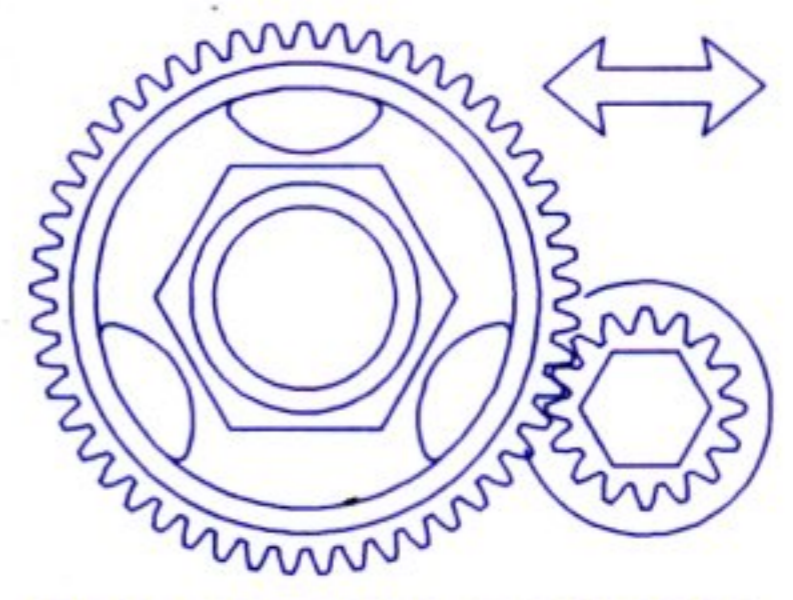
165  X4
C B M 3 * 1 2

166  X4
A L W S 5 M M

167  X4
F H B M 5 * 1 0



ADJUST ENGINE POSITION

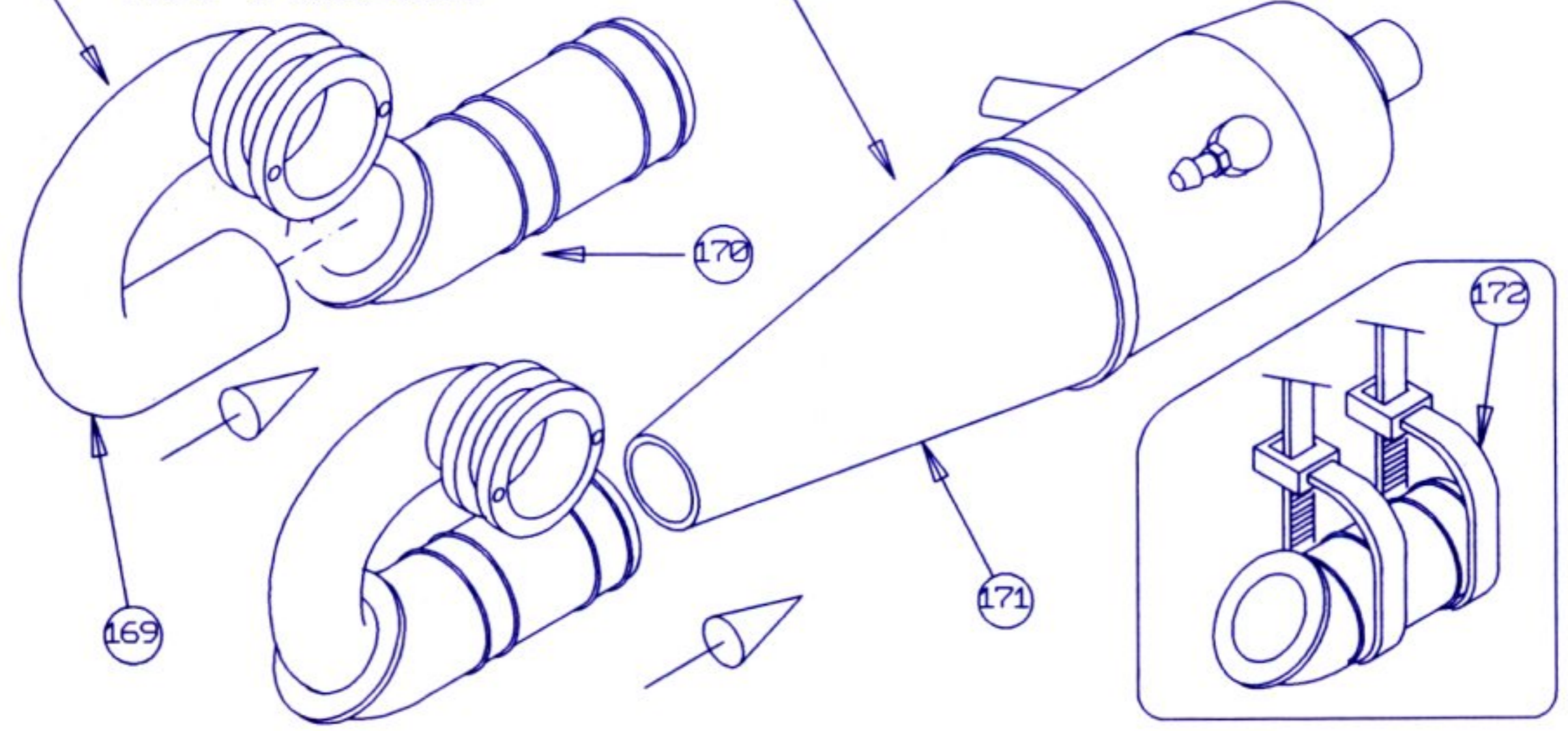


ADJUST GEAR POSITION

NOT INCLUDED

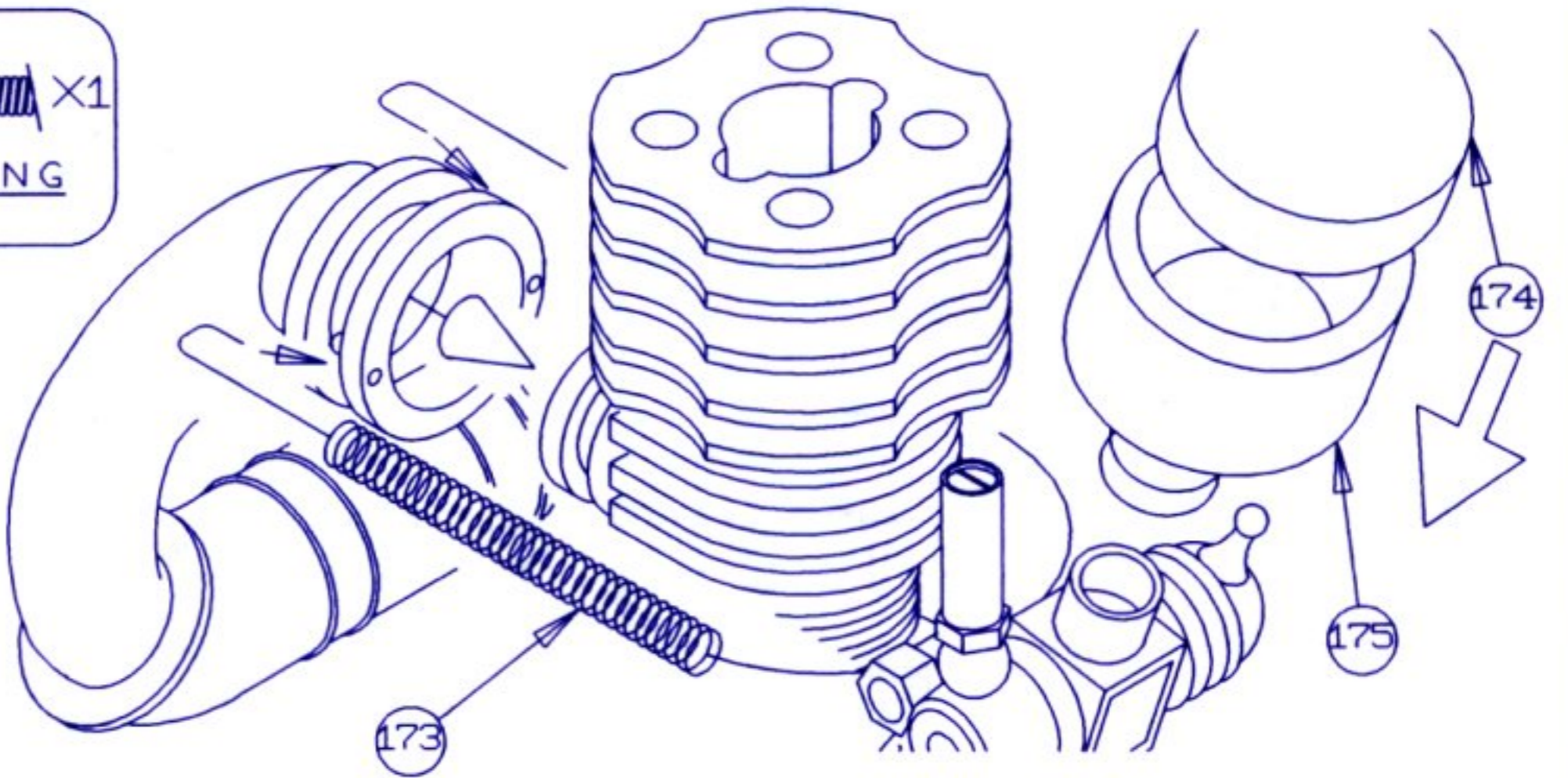
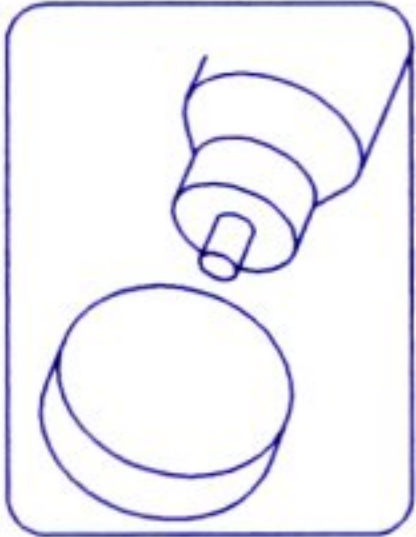
NOT INCLUDED

PART BAGS M



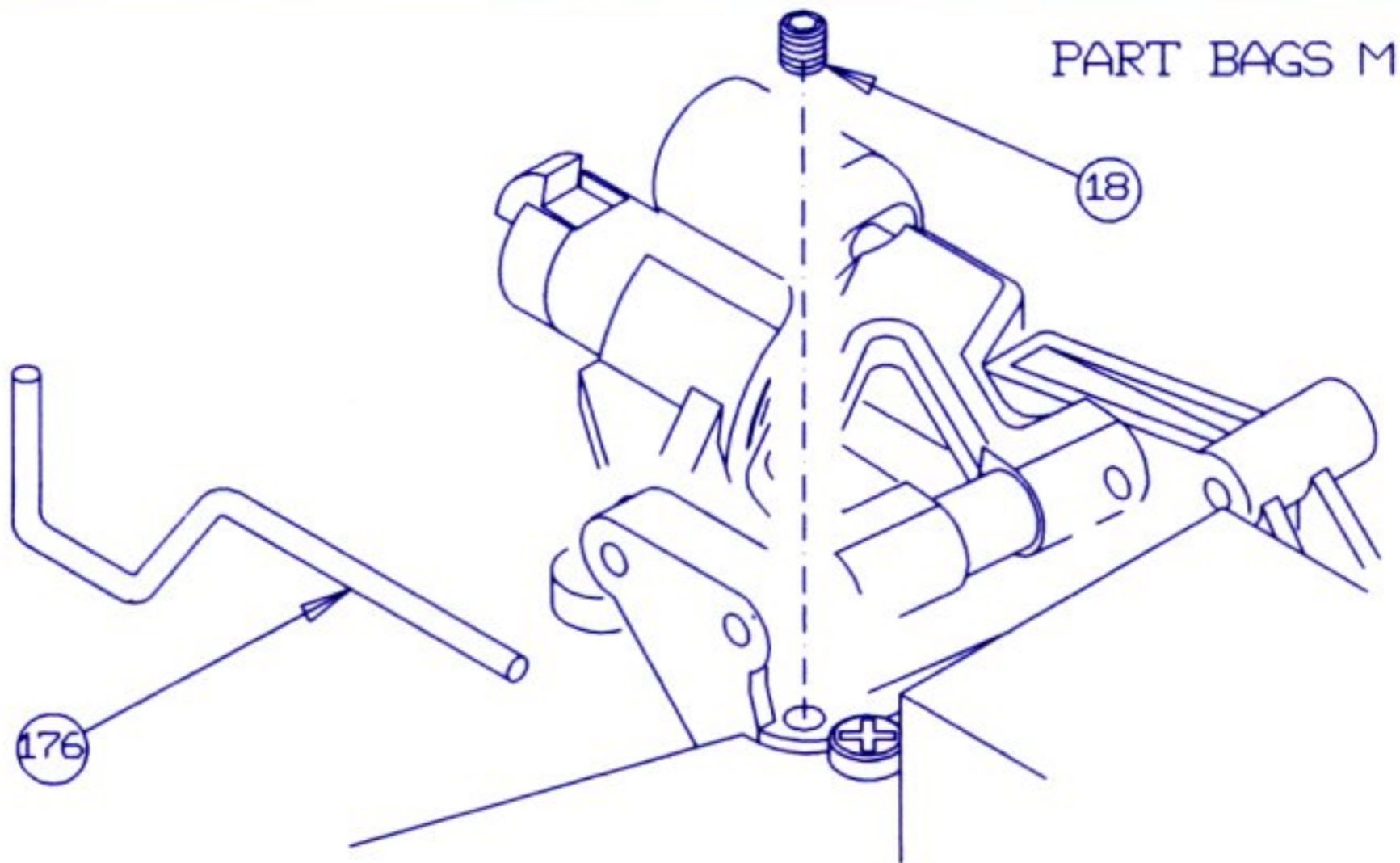
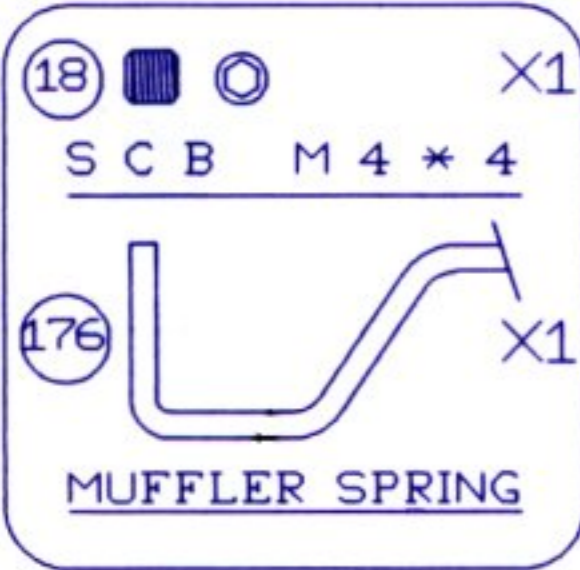
SMALL PARTS

PART BAGS M



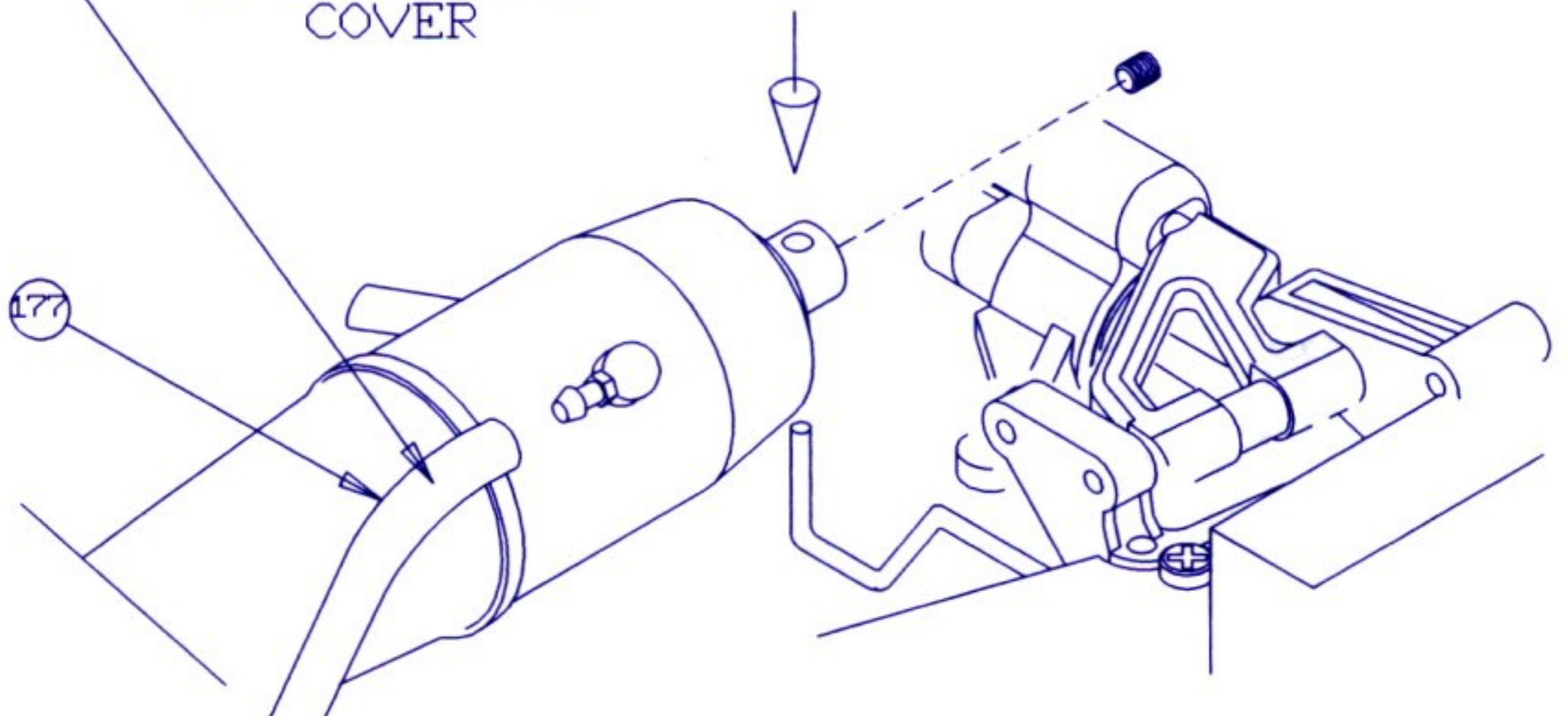
SMALL PARTS

PART BAGS M






TO FUEL TANK COVER

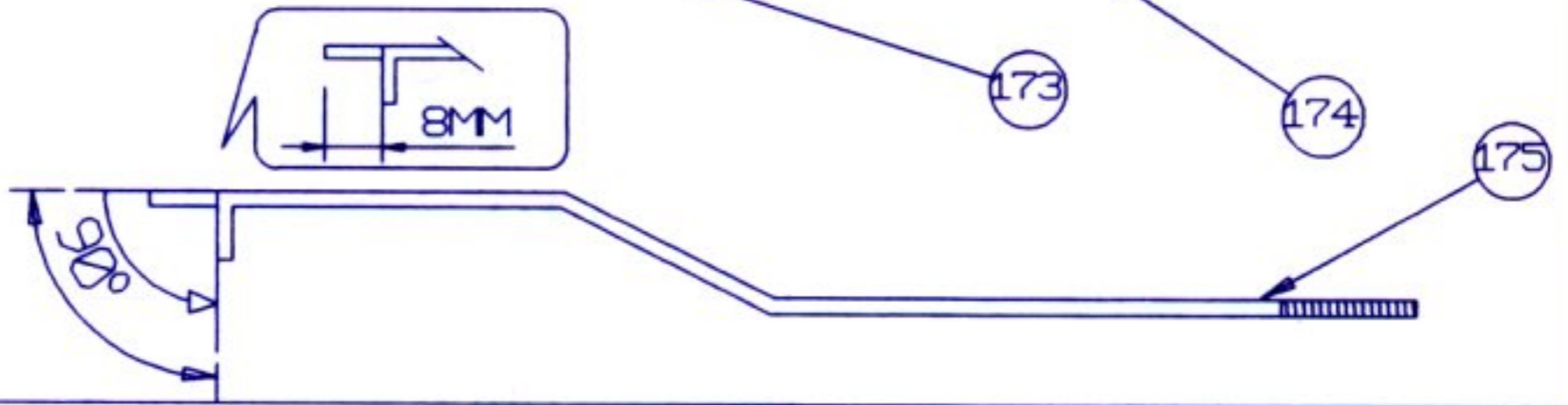
PART BAGS M



SMALL PARTS



- (173)  X1
TH ROD BALLEND
- (174)  X1
THROTTLE ROD
- (175)  X1
BRAKE ROD

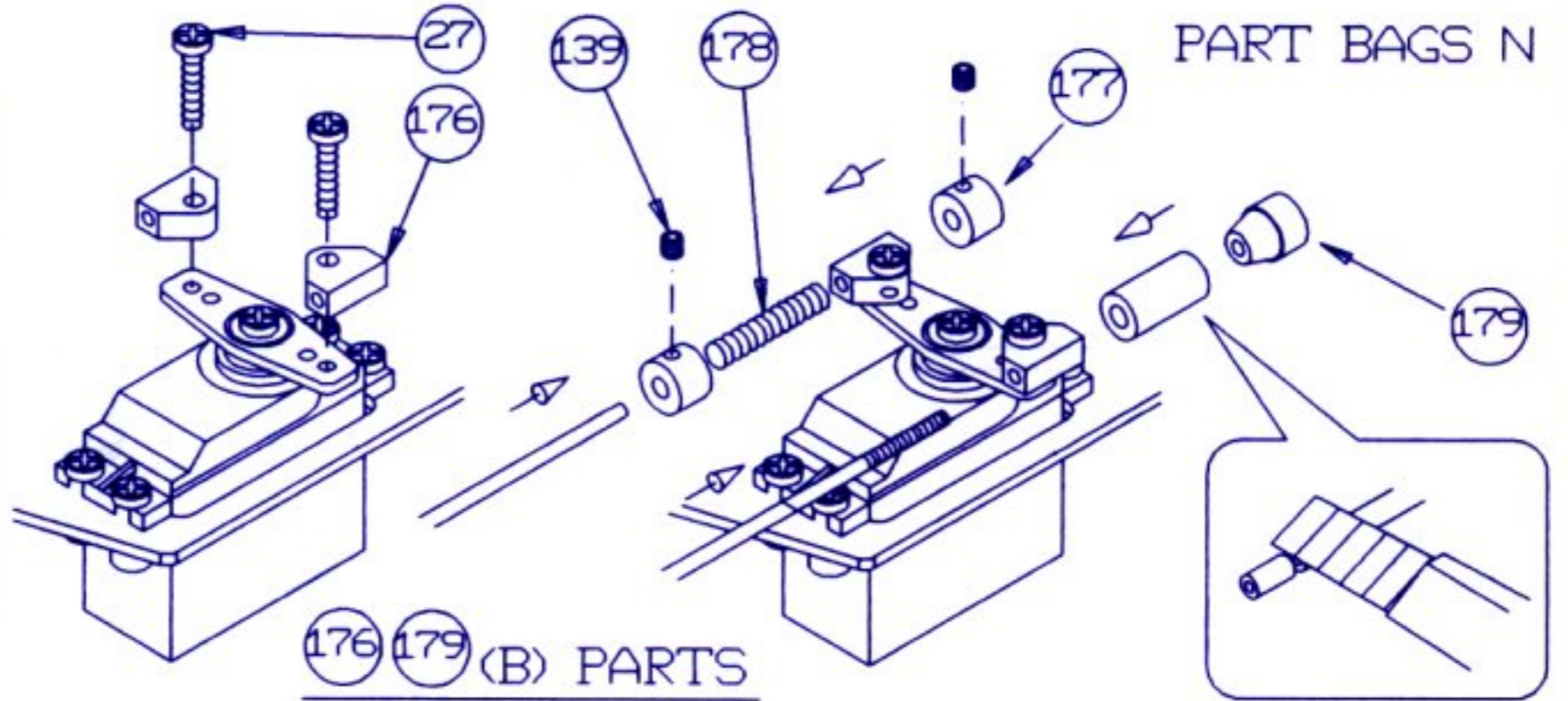
(173) (B) PARTS



PART BAGS N

SMALL PARTS





- (27)   X2
RHT M3*12
- (177)   X2
STOPPER 2MM
- (139)   X2
SCB M3*3

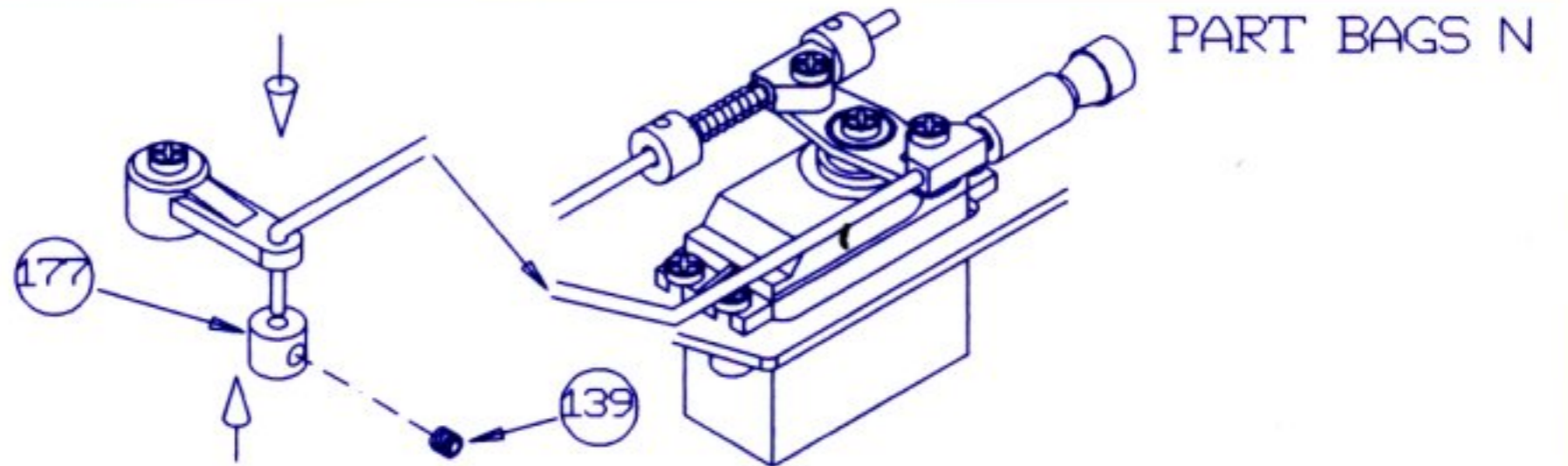


(176) (179) (B) PARTS

PART BAGS N

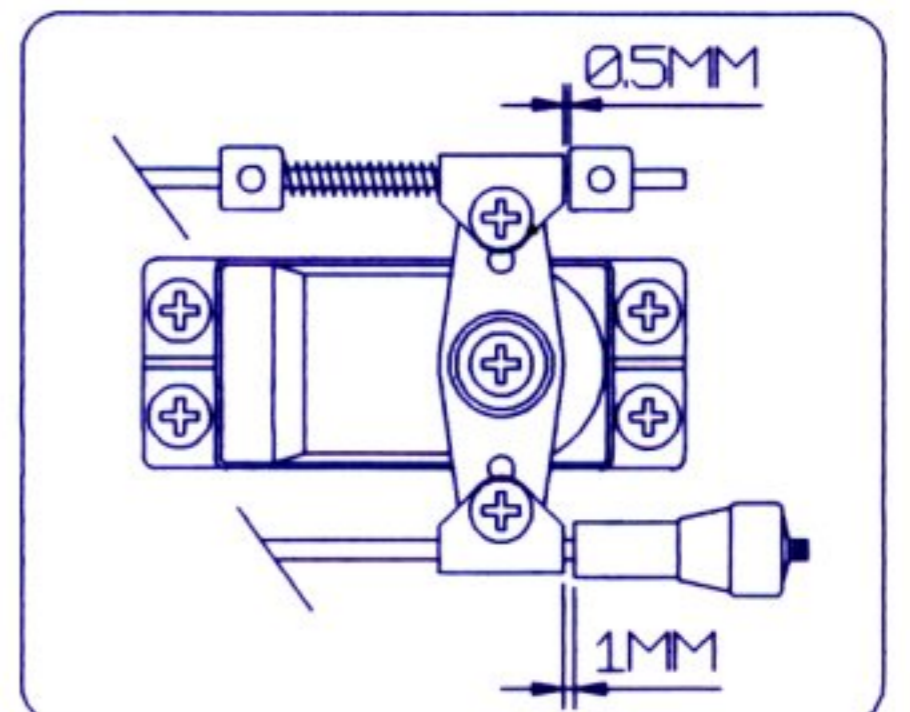
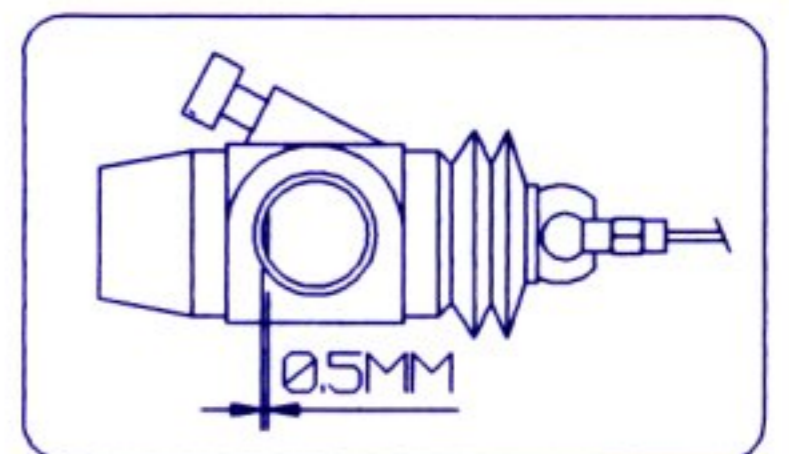
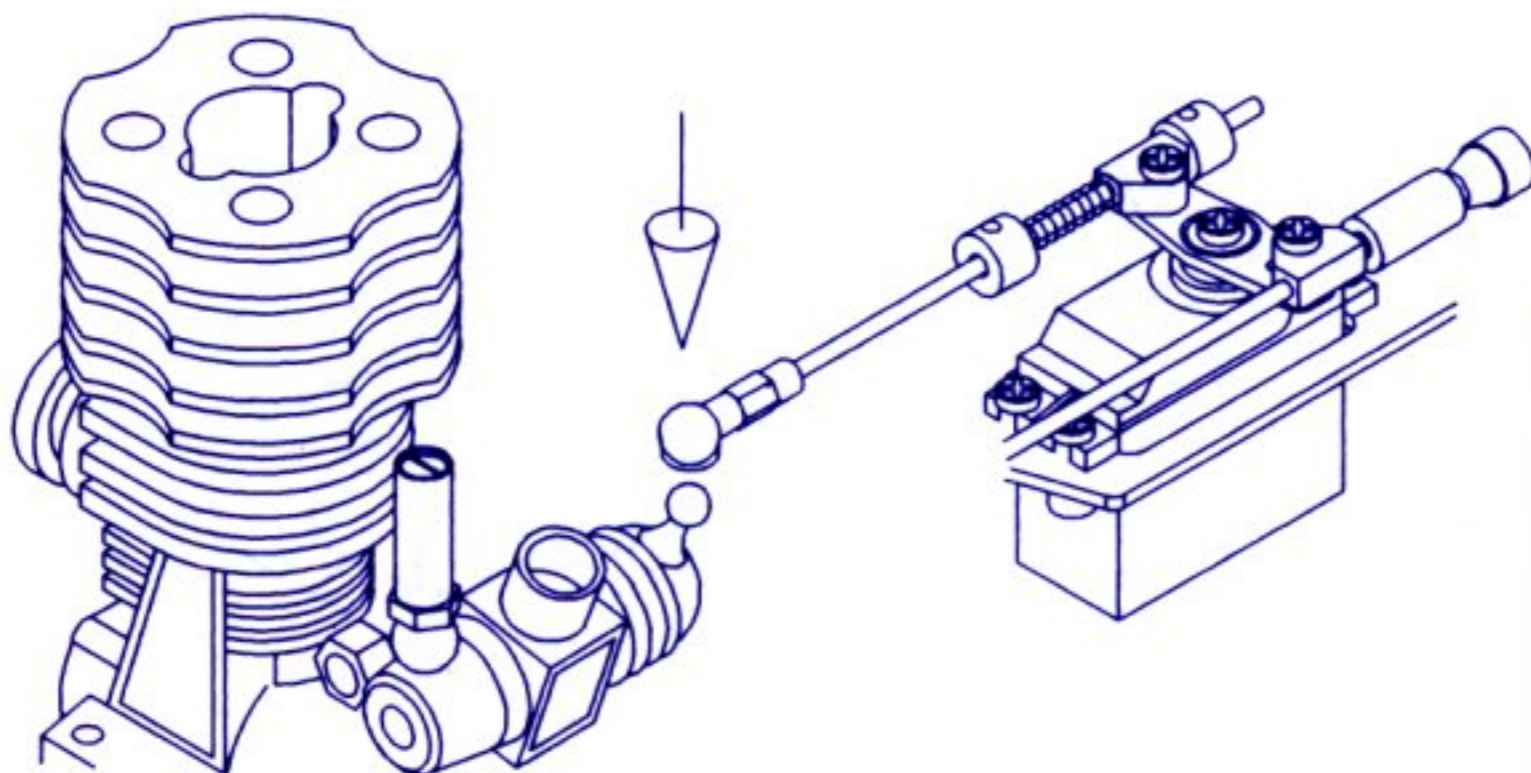
SMALL PARTS

- (177)   X1
STOPPER 2MM
- (139)   X1
SCB M3*3



PART BAGS N

SWITCH ON



SMALL PARTS

180 X2

FRONT DAMPERSHAFT

181 X2

REAR DAMPERSHAFT

184 X4

E C 2.1 M M

185 X4

E C 2.5 M M

186 X4

ADJ DAMPERRING

187 X2

FRONT DAMPER

188 X2

REAR DAMPER

189 X8

DAMPER O RING

190 X4

DAMPER P RING

191 X4

DAMPER E RING

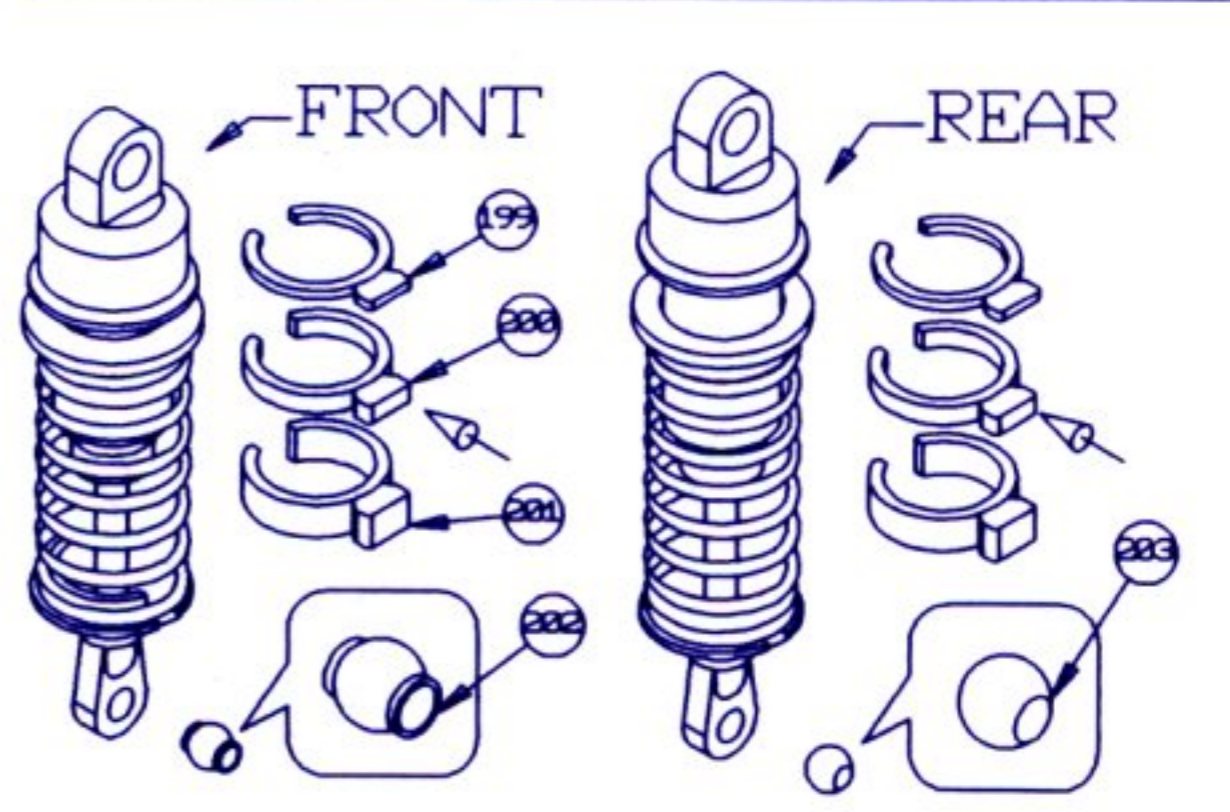
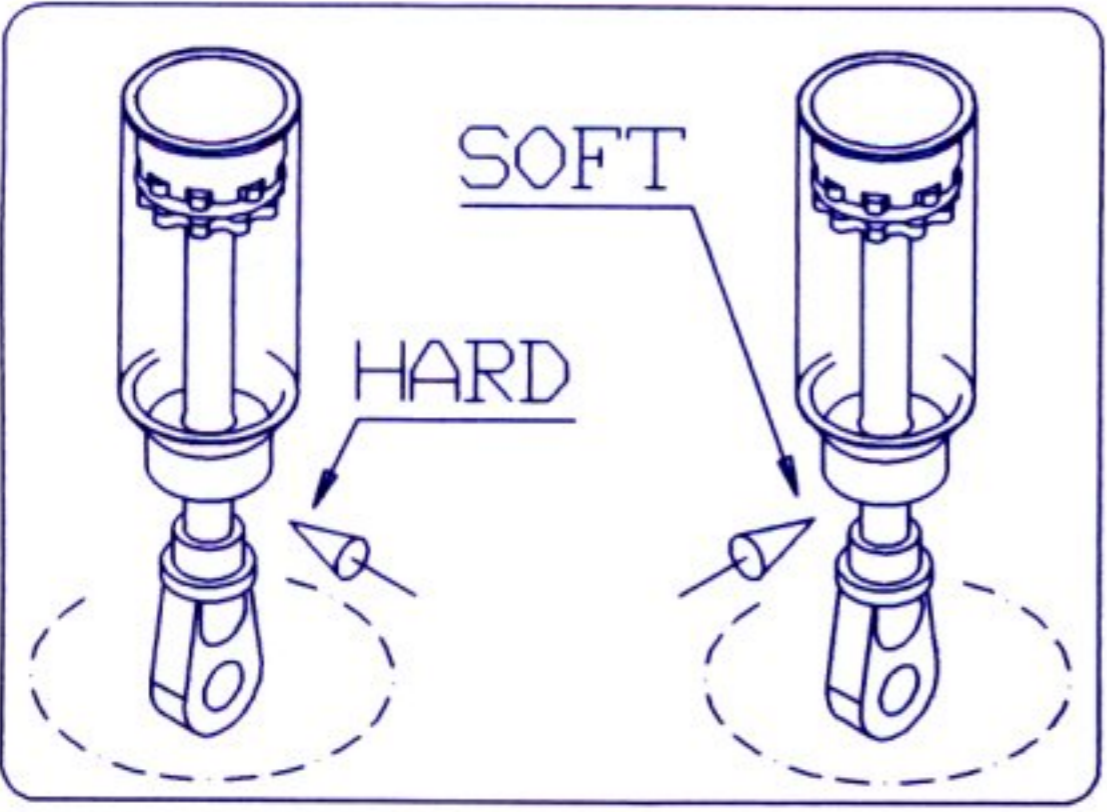
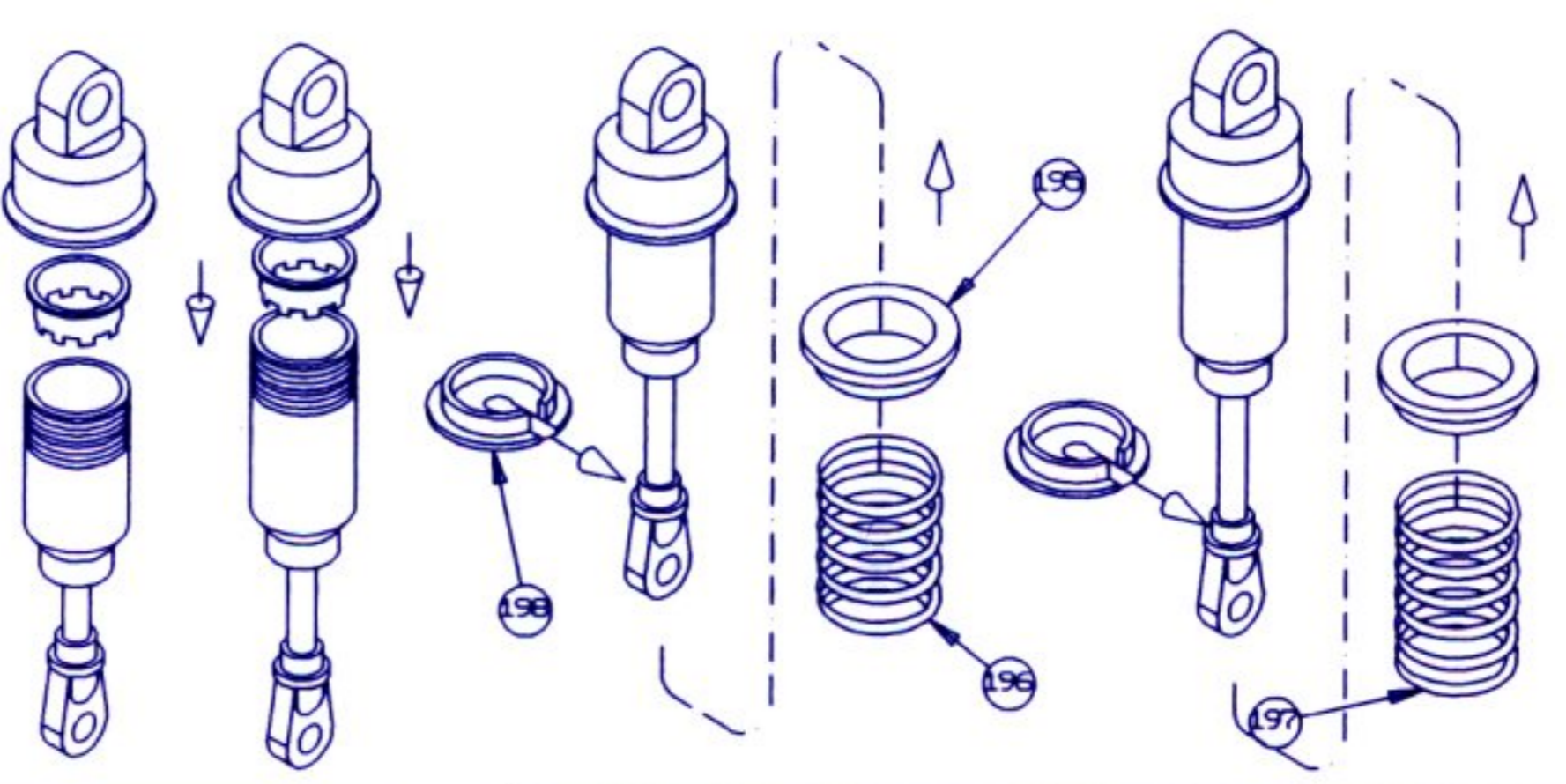
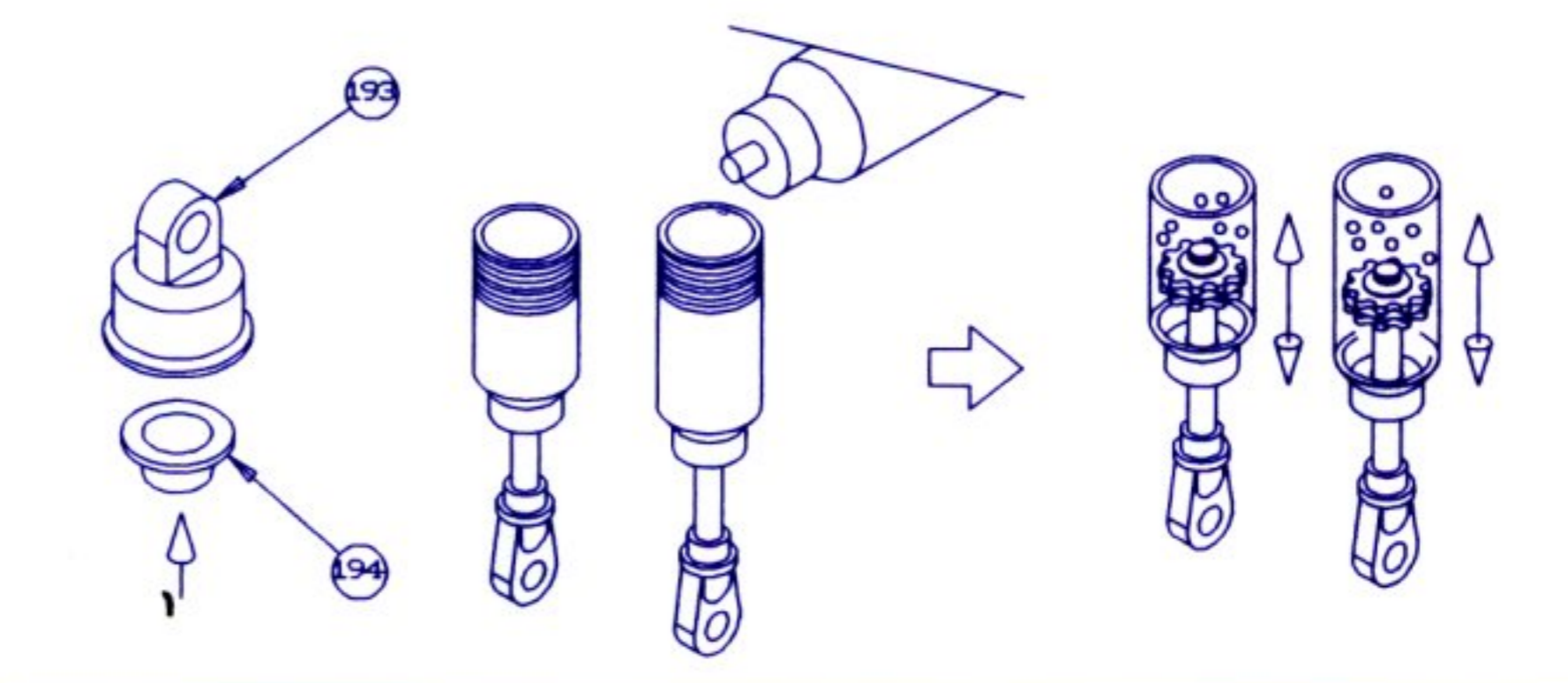
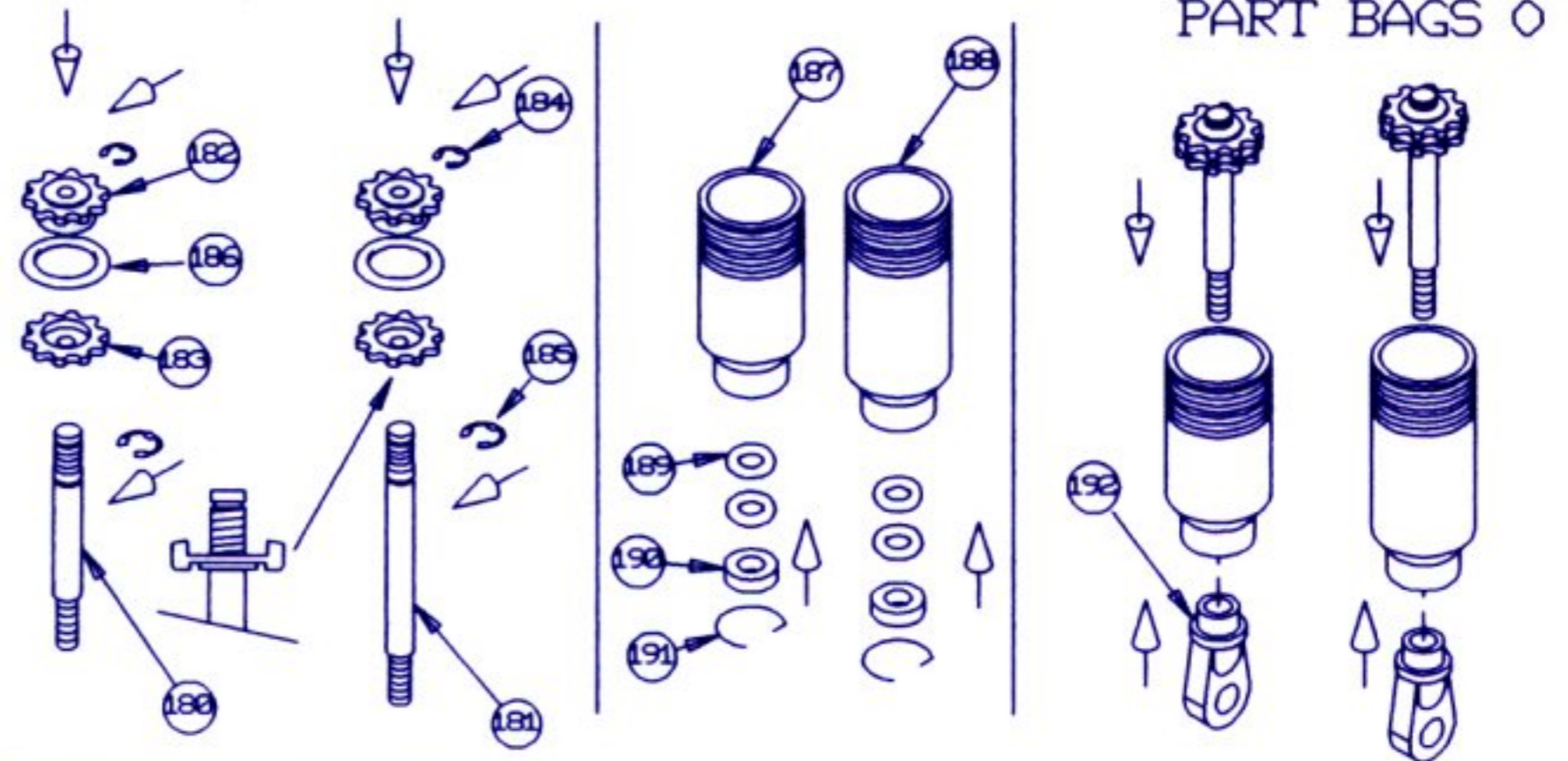
200 X2

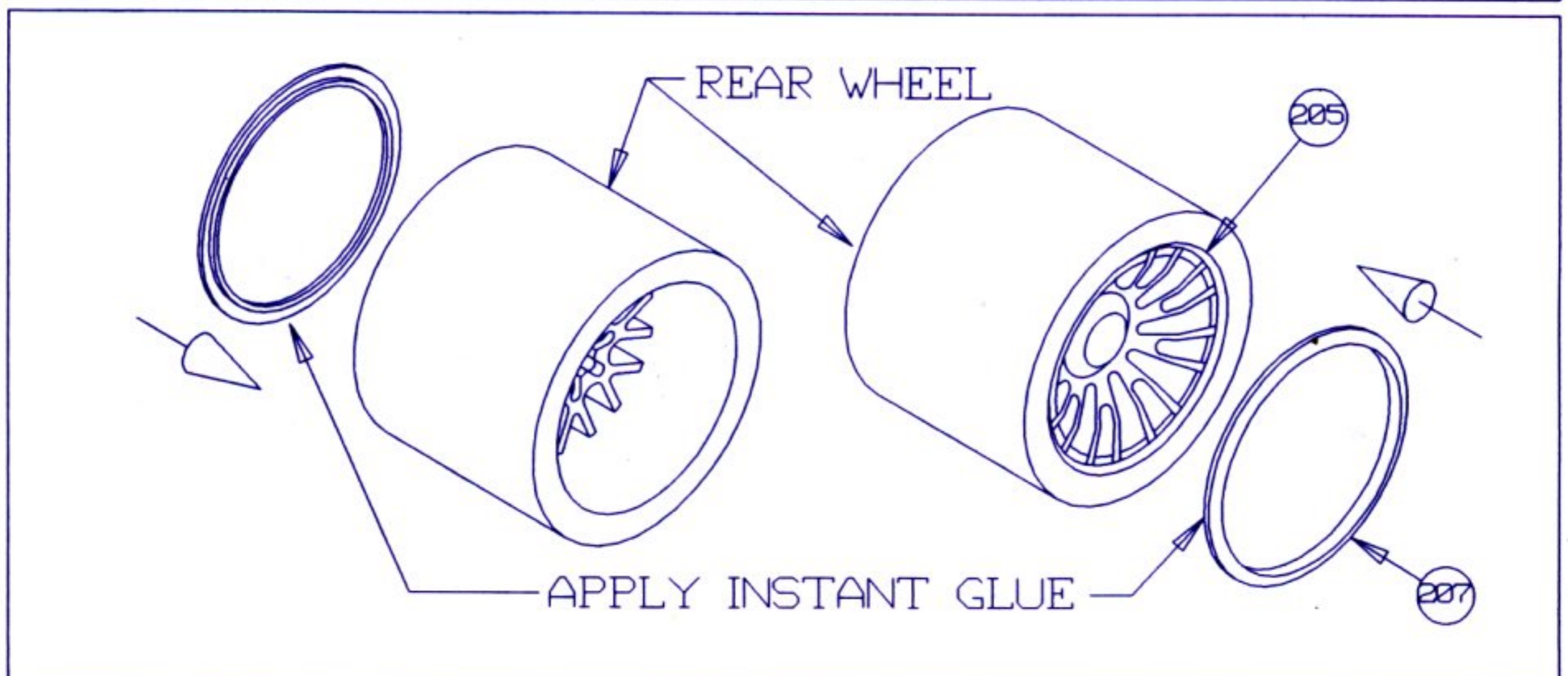
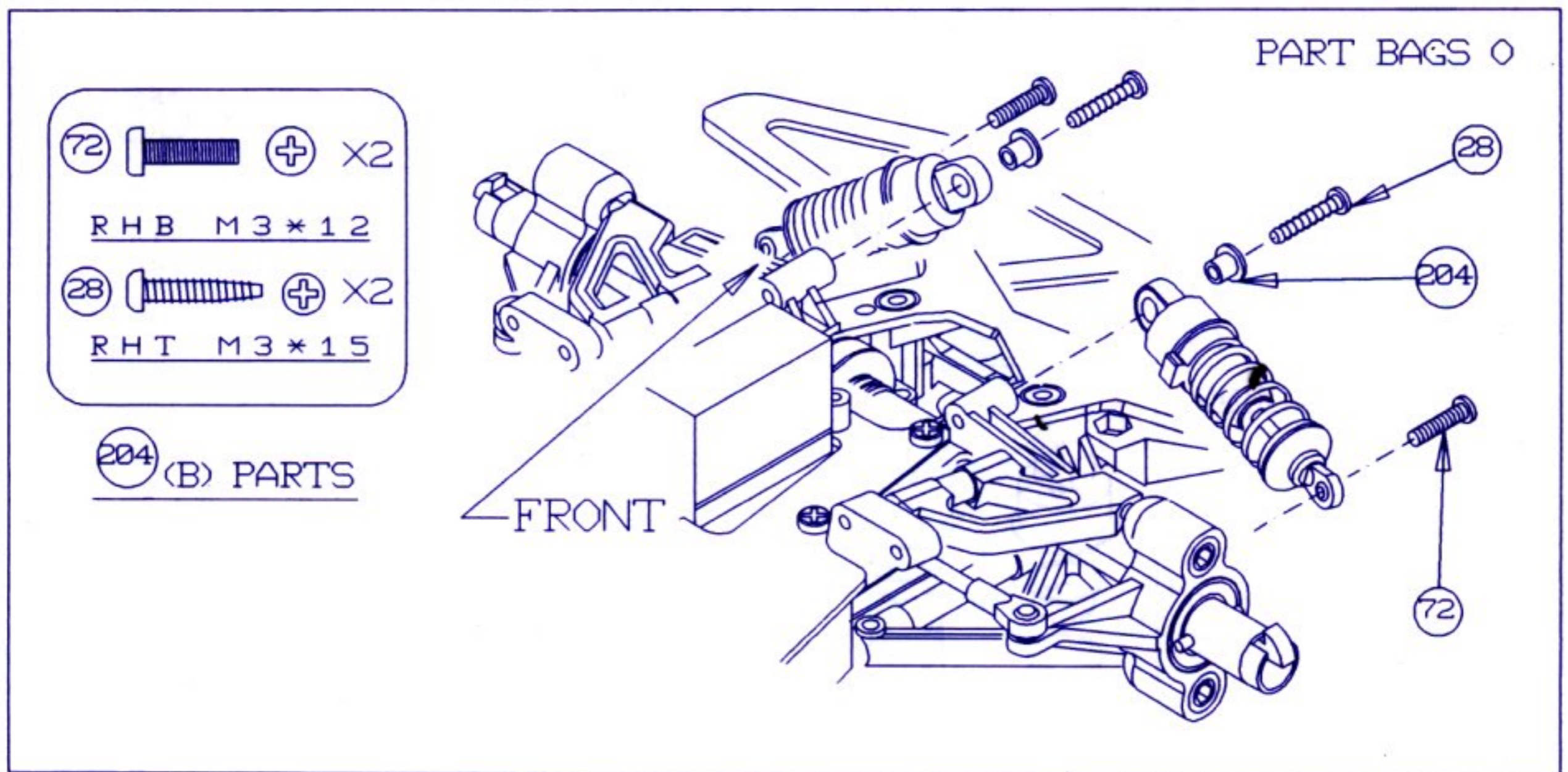
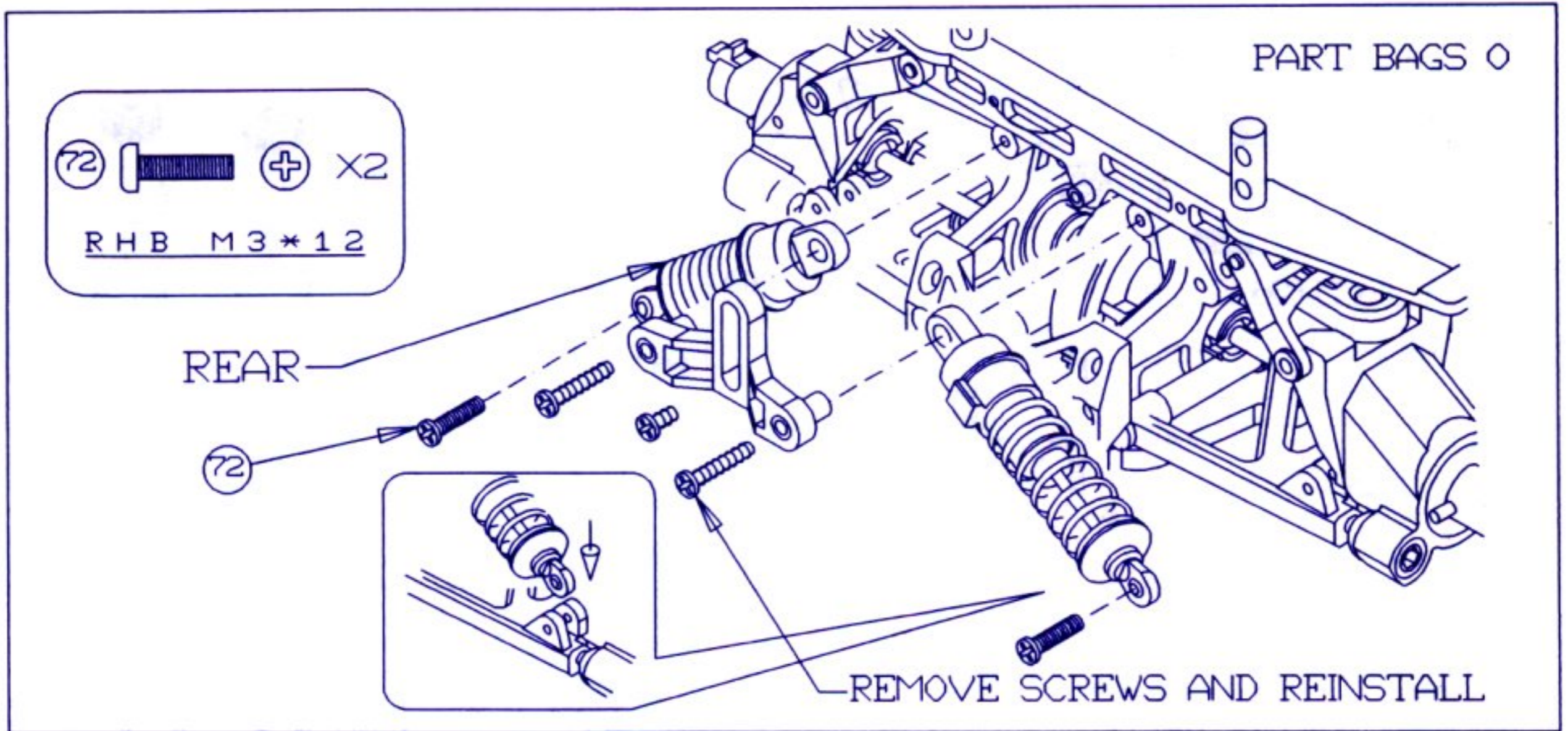
F DAMPER BALLEND

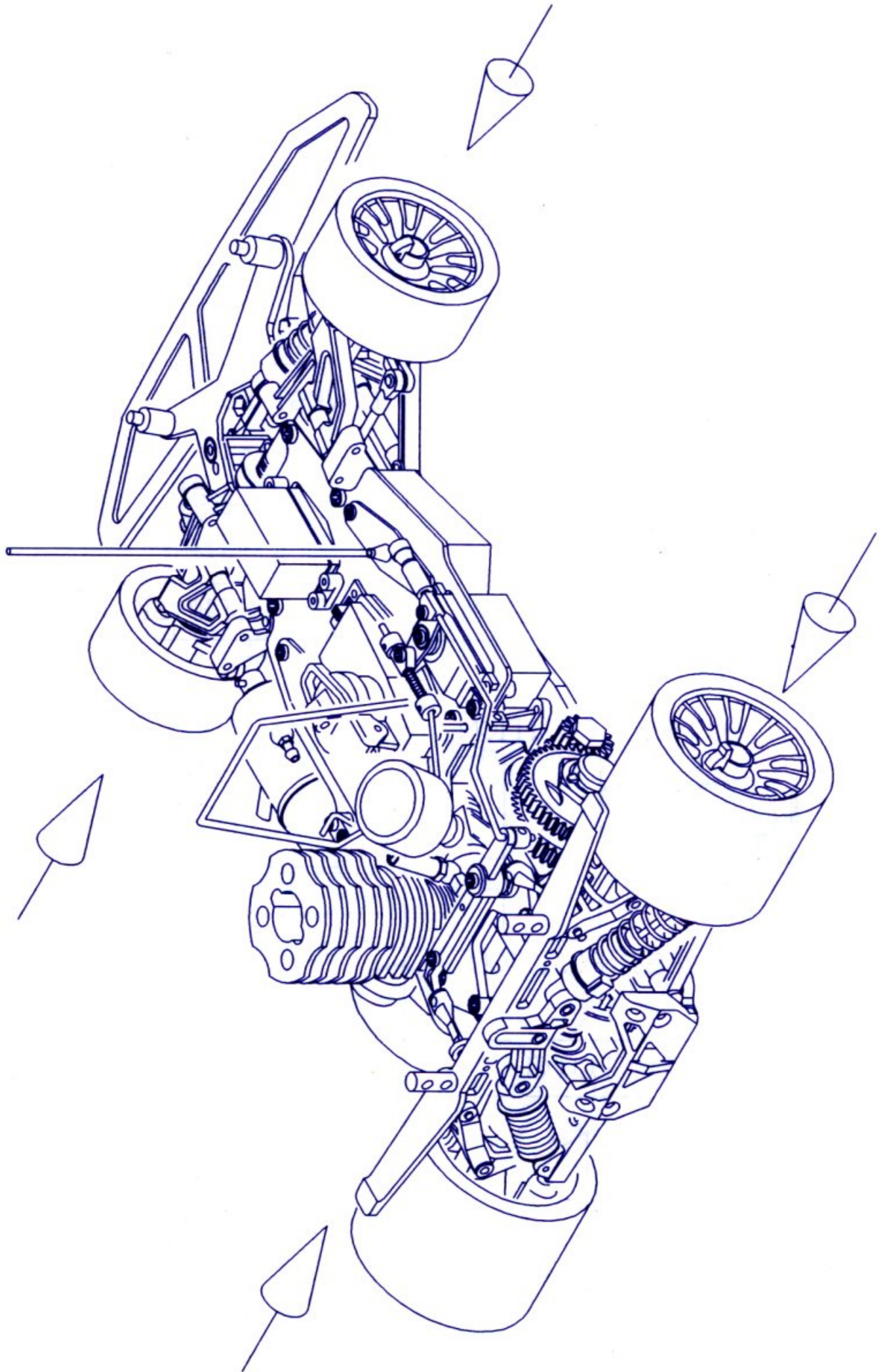
201 X2

R DAMPER BALLEND

PART BAGS 0

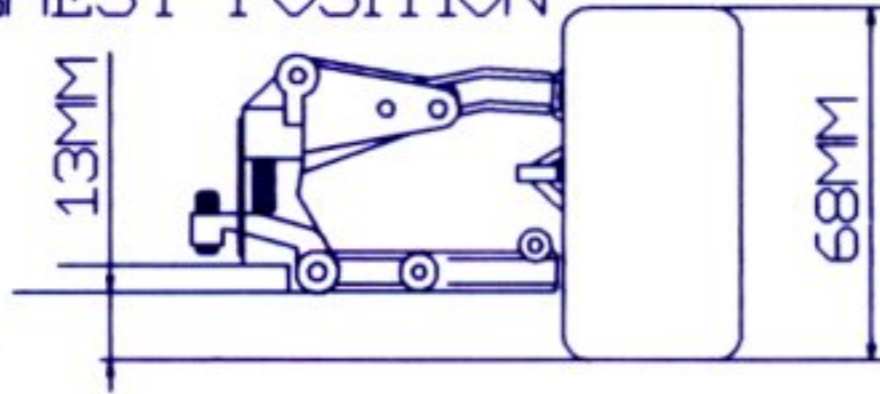




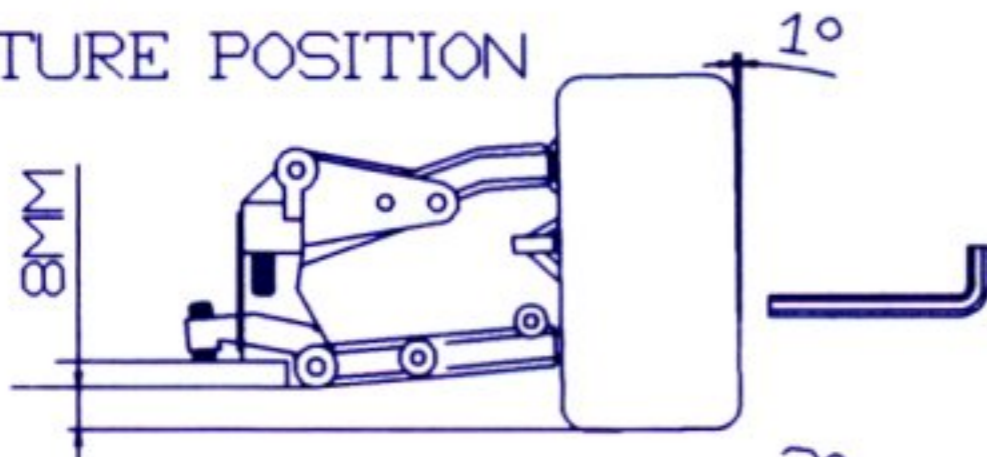


ADJUST FRONT CAMBER

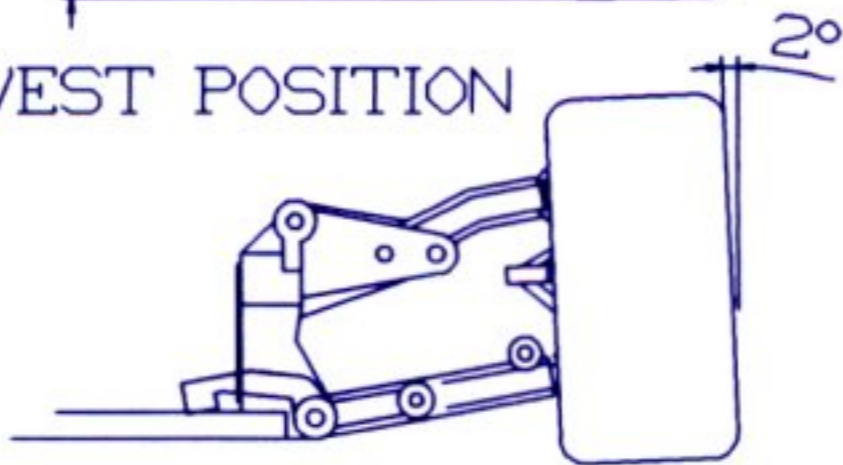
HIGHEST POSITION



NATURE POSITION

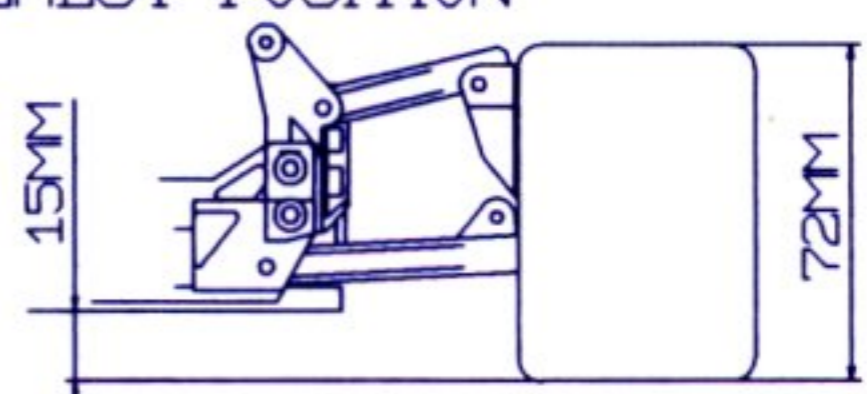


LOWEST POSITION

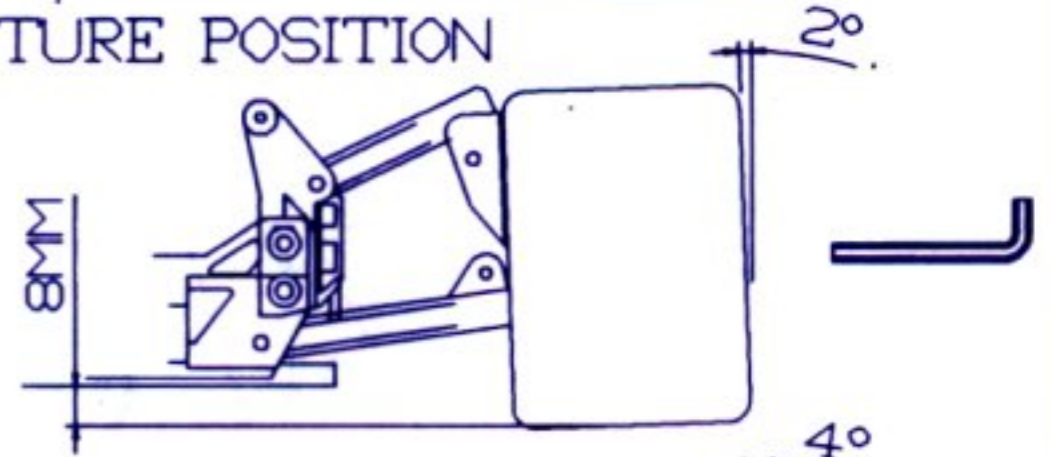


ADJUST REAR CAMBER

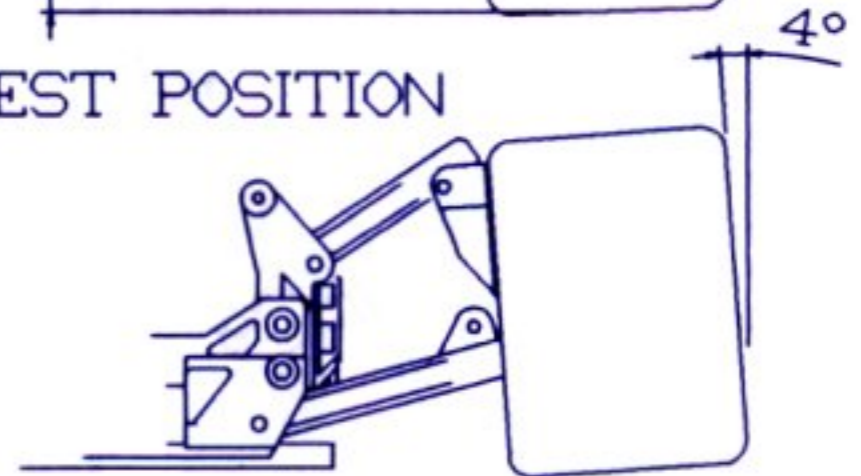
HIGHEST POSITION



NATURE POSITION

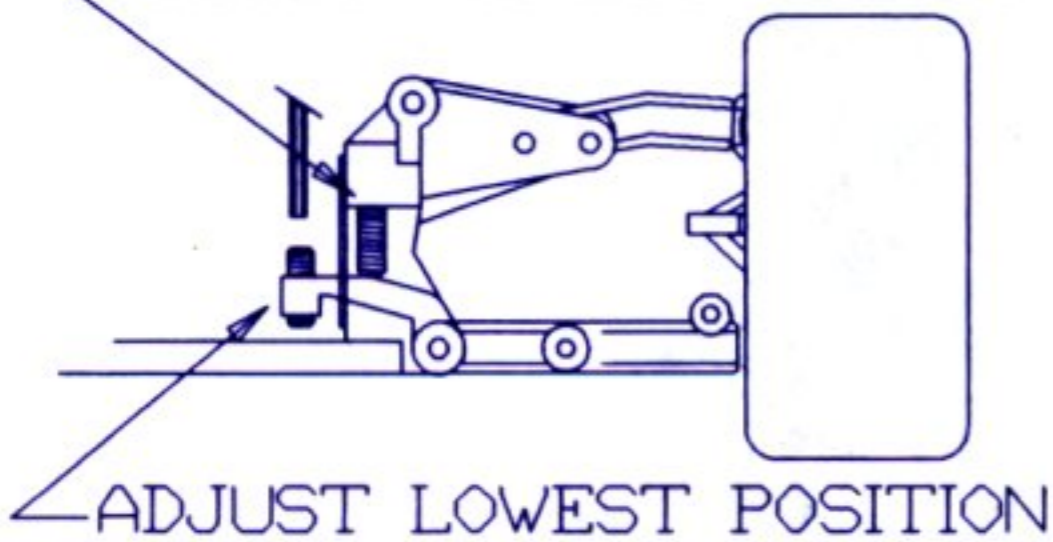


LOWEST POSITION

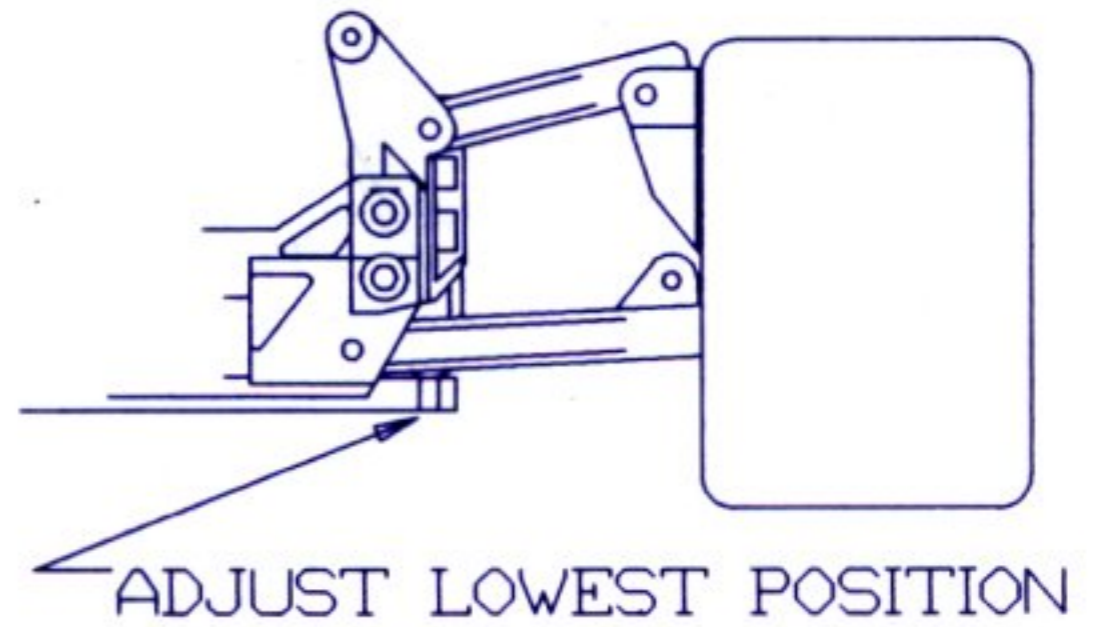


FRONT SUSPENSION POSITION

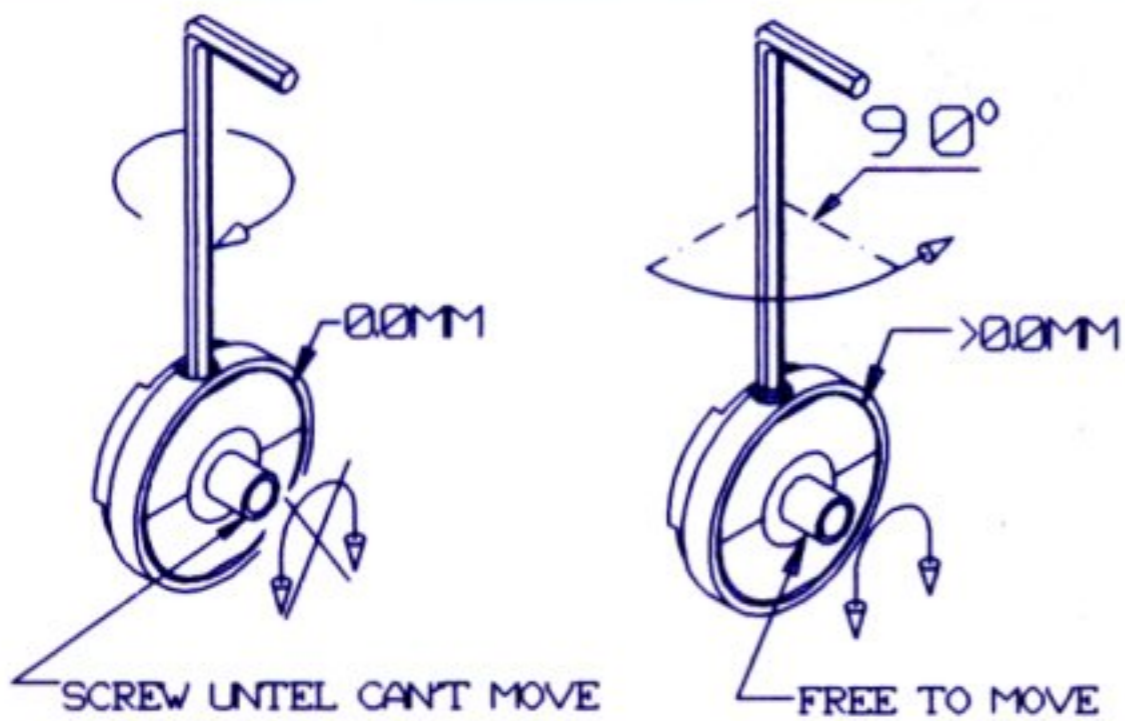
ADJUST HIGHEST POSITION



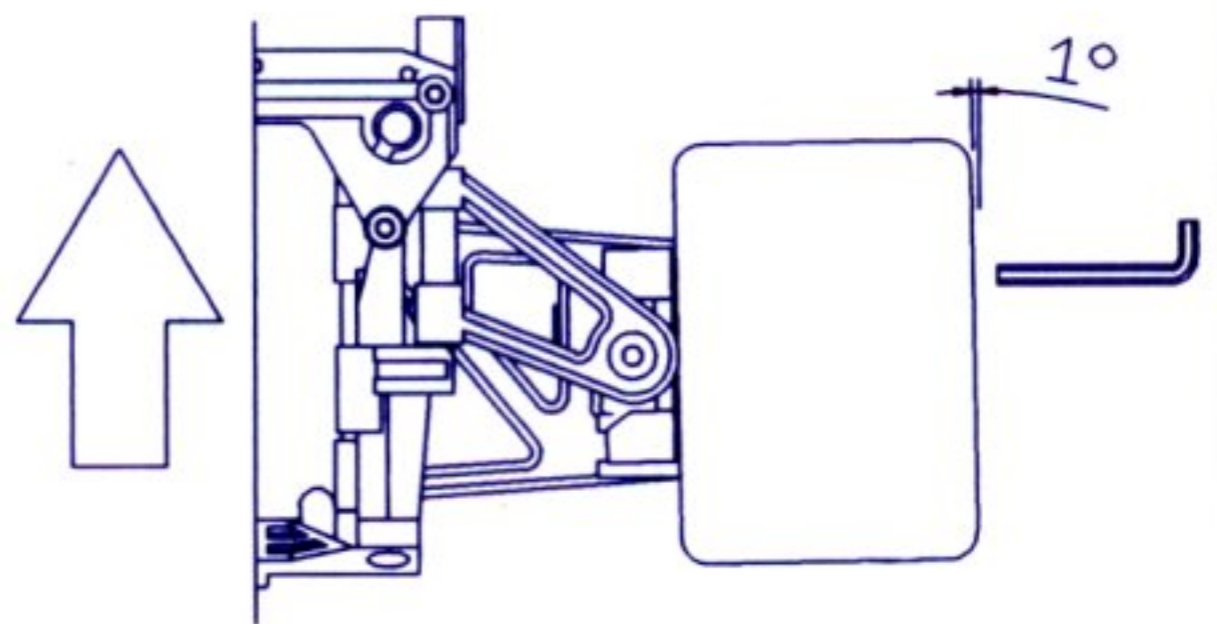
REAR SUSPENSION POSITION



ADJUST 2 SPEED CLUTCH



REAR WHEEL TOE-IN



In order to avoid accidents and personal injury, be sure to observe the following:

- Since exhausts and fuel vapors are noxious to health, use fuel only outdoors!
- Keep hands and objects away from rotating engine parts to avoid personal injury.
- Because after running the engine, the engine and the muffler are extremely hot, beware of getting burned!
- Only use glow fuel for radio control models! Never use gasoline or kerosene which might cause accidents such as fires!
- Because fuel is highly inflammable, never use fuel indoors, near any source of heat, open flames or even sparks! Do not dispose of an empty fuel can into a fire. It might explode causing serious injury!
- Be particularly careful not to swallow fuel or to get fuel into eyes! Nevertheless, should fuel be swallowed, immediately induce vomiting and call a physician. Should fuel get into eyes, thoroughly rinse the eyes and seek medical advice.
- Always store fuel in a safe place out of children's reach with the cap shut tight! The place for storage should be dark, cool and dry!
- For accident prevention, do not run your model under the following circumstances:
 - ▶ In place where many people gather.
 - ▶ Near residential districts, schools and hospitals.
 - ▶ Near roads, railroads, air corridors and electric lines.
 - ▶ Also make sure that nobody is using the same frequency as you do at the same time!
 - ▶ When the radio batteries are empty.
 - ▶ When the model's control or running behavior is strange.

NEO

TEST WAY MODEL ENTERPRISE CO. LTD.
NO. 107 CHUNG SHING N STREET, SAN CHUNG CITY
TAIPEI HSIEN, TAIWAN, R.O.C
TEL:886-2-9958050 FAX:886-2-9958043