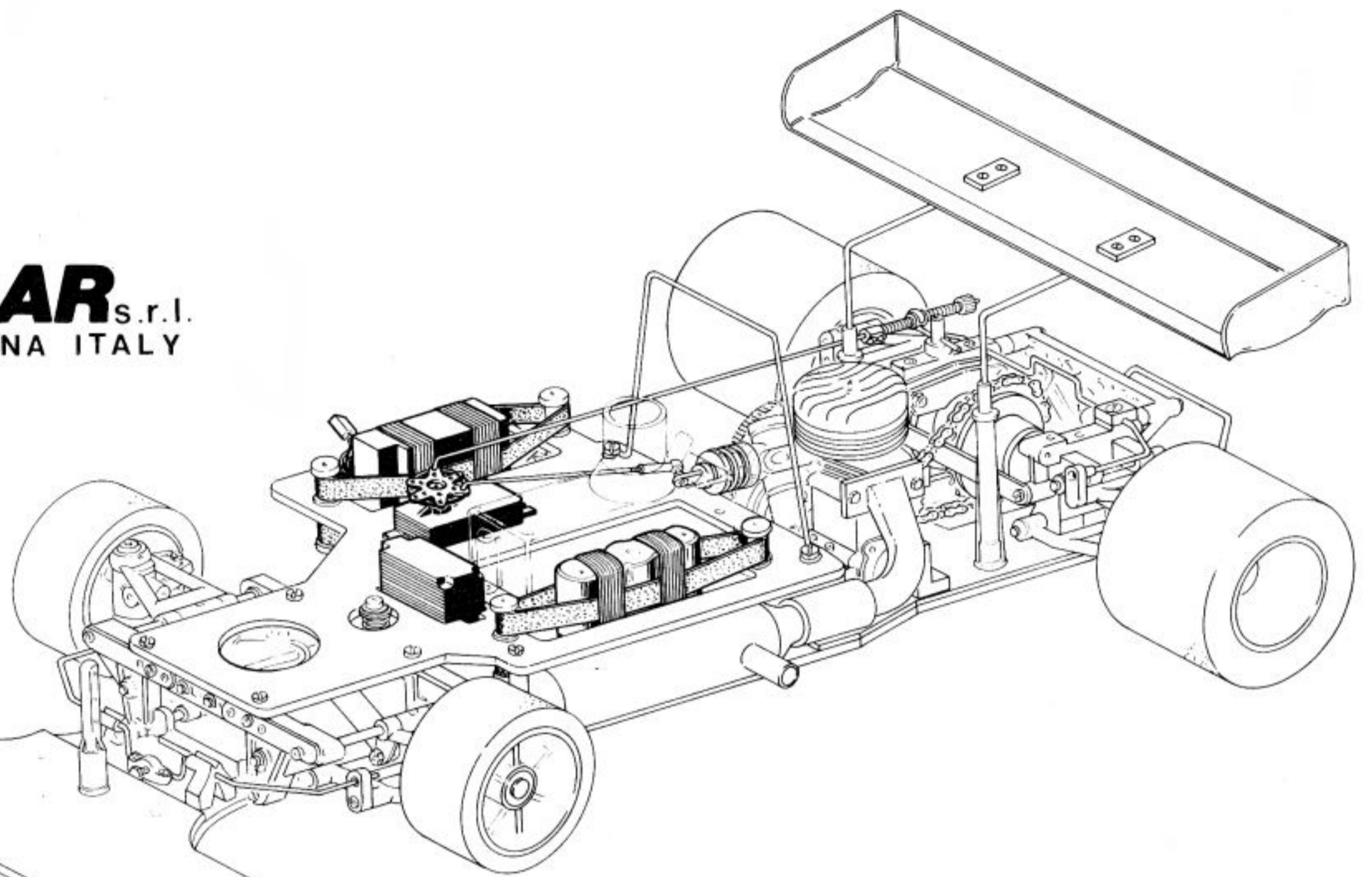


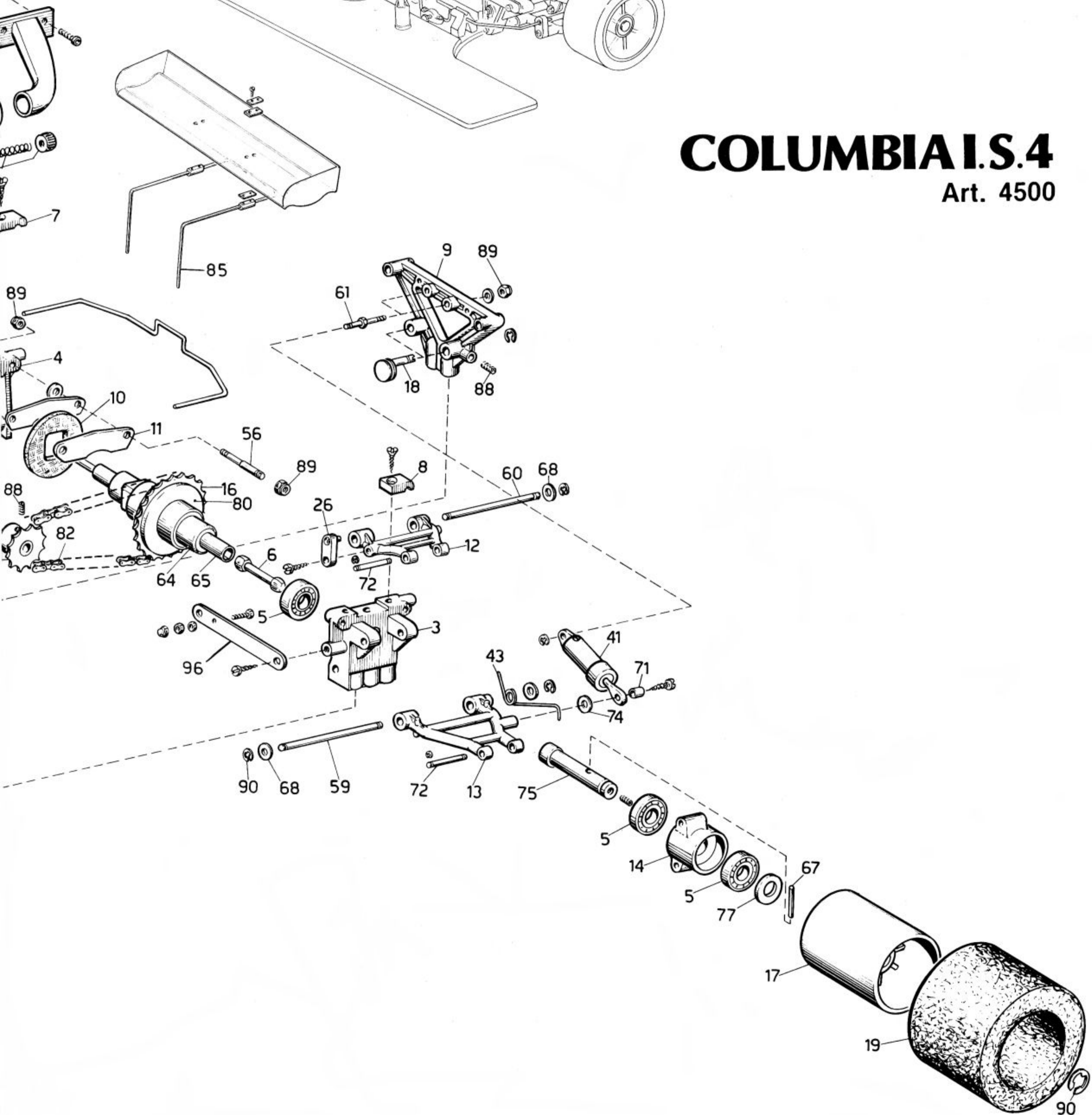


**SG. RACING CAR** s.r.l.  
BOLOGNA ITALY



# COLUMBIA I.S.4

Art. 4500



## COLUMBIA IS 4 - Art. 4500

### Elenco Particolari

1	Pianale post. Ergal	4500/1
2	Pianale base	4500/2
3/4	Supporti cuscinetti	4510/3
5	Cuscinetti post.	4500/5
6	Giunti esagonali	4500/6
7/8	Guida camma freno e barra antirollio	4510/7
9	Triangolo posteriore supporto ammortizzatore e camme molle	4500/9
10	Disco freno	4500/10
11	Pastiglie freno	4500/11
12	Bracci sup. sosp. post.	4500/12
13	Bracci inf. sosp. post.	4500/13
14	Mozzi porta cusc. post.	4500/14
15	Supporto cusc. ass. pignone catena	4500/15
16	Corona per catena Z 26	4500/16
17	Cerchio posteriore	4500/17
18	Camma reg. molle sosp. post.	4500/18
20	Coppia supporti motore X 21 RE TST	3500/20U
21	Camma freno	4500/21
22	Roll-bar	4500/22
23	Piastra radio	4500/23
24	Colonne supp. piastra radio	4500/24
25	Bracci superiori avantreno	4500/25
26	Snodi per barra antirollio	4510/26
27	Salvaservo	3500/27
28	Bracci inferiori avantreno	4510/28
30	Piastre supporto avantreno	4500/30
31	Fuselli ruote anteriori	4500/31
32	Perni fusello	4500/32
33	Perno ruota anteriori Ø5	3700/33
34	Cerchio anteriore	4500/34
35	Cuscinetti anteriori Ø5	4500/35
37	Supporti carrozzeria	4500/37
38	Paraurti posteriore	4500/38
39	Paraurti anteriore	4500/39
40	Piastrine bloccaggio sup. avantreno	4500/40
41	Ammortizzatori	4500/41
42	Camma reg. molle sosp. ant.	4500/42
43	Molle sospensioni	4500/43
44	Supp. barra antirollio ant.	4510/44
46	Barre antirollio	4510/46
47	Pignone per catena Z 13	4500/47
48	Serbatoio completo	4500/48
52	Corona M 1 Z 44	4500/52
53	Corona M 1 Z 45	4500/53
54	Corona M 1 Z 46	4500/54
55	Assale corona	4500/55
56	Perni pastiglie freno	4500/56
57/58	Serie perni bracci avantreno	4510/57
59/60	Serie perni bracci retrotreno	4510/59
61	Perni supp. ammortizzati	4510/61
64	Corpo differenziale	4500/64
65	Semiassi differenziale	4500/65
67	Serie spine tras. ruote e corone	4500/67
68	Serie rondelle avantreno	4500/68
71	Boccole guida barre antirollio	4500/71
72	Perni mozzi ruote post.	4500/72
74	Serie rondelle snodi e amm.	4500/74
75	Semiassi ruote post.	4500/75
76	Pignone M 1 Z 18 STD	4500/76
77	Distanziali ruota post.	4500/77
78	Collari ferma bracci avantreno	4500/78
79	Perno satellite differenziale	4500/79
80	Flangia bloccaggio corona diff.	4500/80
81	Satellite differenziale	3800/17
82	Catena	4500/82
83	Serie snodi sferici	4500/83
84	Serie rinvii acc. freno sterzo	4500/84
85	Filo supp. alettone	4500/85
86	Serie viti autofilettanti	4500/86
87	Serie viti svasate C.E.	4500/87
88	Serie grani	4500/88
89	Serie dadi autobloccanti	4500/89
90	Serie Seger	4500/90
91	Planetario	3800/18
92	Colonne supp. radio batt.	4500/92
93	Serie cuffiette parapolvere	4500/93
94	Supporto alettone	4500/94
95	Cuscinetti assale corona	4500/95
96	Barretta fiss. sup. cus. post.	4500/96
97	Frizione	3500/70T
98	Unibal	3850

## List of parts

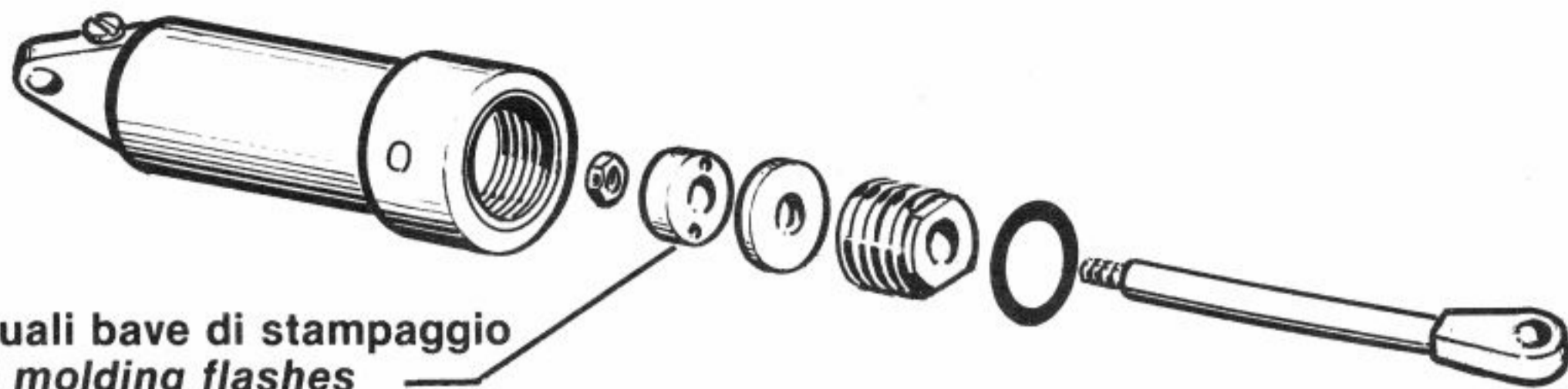
Rear chassis	4500/1
Middle chassis	4500/2
Bearing supports	4510/3
Rear bearings	4500/5
Hexagonal joint	4500/6
Brake and stabilizer rod guide	4500/7
Rear shock-absorber and came spring support	4500/9
Disk brake	4500/10
Brake pads	4500/11
Rear suspension upper beams	4500/12
Rear bearing lower bleams	4500/13
Rear bearing holding hub	4500/14
Bearing support for chaine laxe	4500/15
Main ring gear Z 26 P.6	4500/16
Rear rim	4500/17
Spring adjustment car for rear suspens.	4500/18
Motor mounts X 21 RE TST	3500/20U
Cam brake	4500/21
Roll Bar	4500/22
Radio plate	4500/23
Radio plate support	4500/24
Front axle upper beams	4500/25
Uniball, antirolling rod	4510/26
Servo saver	3500/27
Front axle lower beams	4510/28
Front axle support plate	4500/30
Journal, front wheel	4500/31
Journal pin	4500/32
Front wheel pin Ø5	3700/33
Front rim	4500/34
Front wheel bearings Ø5	4500/35
Body support	4500/37
Bunper, rear	4500/38
Bumper, front	4500/39
Fastening plate for front axle support	4500/40
Shock-absorbers	4500/41
Cam, adjustment front suspensions springs	4500/42
Springs, suspensions	4500/43
Antirolling rod support	4510/44
Antirolling rod	4510/46
Pinion Z 13, chain	4500/47
Tank	4500/48
Ring gear M 1 Z 44	4500/52
Ring gear M 1 Z 45	4500/53
Ring gear M 1 Z 46	4500/54
Ring gear axle	4500/55
Pins, brake pads	4500/56
Front axle rod pins	4510/57
Rear axle rod pins	4510/59
Pins, shock-absorbes supports	4510/61
Differential body	4500/64
Differential semi-axles	4500/65
Ring axle washers	4500/67
Front axle washers	4500/68
Bush, antirolling rod guide	4500/71
Rear wheels hub pins	4500/72
Joint and shock-absorbers washers	4500/74
Rear wheels semi-axles	4500/75
Pinion M 1 Z 18 STD	4500/76
Rear whell washer	4500/77
From axle holding collars	4500/78
Satellite gear pin	4500/79
Differential ring gear flange	4500/80
Gear satellite	3800/17
Chain	4500/82
Series af spherical joint	4500/83
Series of acceleration/brake rods	4500/84
Wing support	4500/85
Series of self-threading	4500/86
Series of screws	4500/87
Series of dowels	4500/88
Series of selflacking screws	4500/89
Series of Seigers	4500/90
Planetarium gears	3800/18
Radio and battery support	4500/92
Series of Gummi ptections	4500/93
Wing supports	4500/94
Bearings, axle crown wheel	4500/95
Rear bearings support locking rod	4500/96
Clutch	3500/70T
Unibal	3850

## Pièces détachées

1	Chassis arriere en Ergal	4500/1
2	Plaque chassis base	4500/2
3/4	Support roulements	4510/3
5	Roulements arriere	4500/5
6	Joint exagonaux	4500/6
7/8	Guide came frein et barre antiroulis	4500/7
9	Triangle support ammortisseurs	4500/9
10	Disque frein	4500/10
11	Plaquettes frein	4500/11
12	Triangle superieur suspensions arriere	4500/12
13	Triangle inf. suspensions arriere	4500/13
14	Moyeu porte reulement arriere	4500/14
15	Support roulement axe pignon chaine	4500/15
16	Couronne pour chaine	4500/16
17	Jante arriere	4500/17
18	Came reglage ressorts suspensions arriere	4500/18
20	Supports moteur X 21 RE TST	3500/20U
21	Came frein	4500/21
22	Arceau	4500/22
23	Platine radio	4500/23
24	Support platine radio	4500/24
25	Triangle superieur suspensions avant	4500/25
26	Raccord barre anti-roulis	4510/26
27	Sauf-servo	3500/27
28	Triangle inf. suspensions avant	4510/28
30	Plaquettes suppor train avant	3500/30
31	Fusees roue avant	4500/31
32	Axe fusee	4500/32
33	Axe roue avant Ø5	3700/33
34	Jante avant	4500/34
35	Roulements avant	4500/35
37	Supports de carrosserie	4500/37
38	Pare-chocs arr.	4500/38
39	Pare-chocs av.	4500/39
40	Plaquettes de fixation support avant	4500/40
41	Amortisseurs	4500/41
42	Came regl. ressorts suspension avant	4500/42
43	Ressorts pour suspensions	4500/43
44	Support barre antiroulis avant	4510/44
46	Barre anti-roulis	4510/46
47	Pignon pour chaine Z 13	4500/47
48	Reservoir complet	4500/48
52	Couronne M 1 Z 44	4500/52
53	Couronne M 1 Z 45	4500/53
54	Couronne M 1 Z 46	4500/54
55	Axe couronne	4500/55
56	Axes plaquettes frein	4500/56
57/58	Jeu d'axes bras train avant	4510/57
59/60	Jeu d'axes bras train arriere	4510/59
61	Axe supports amortisseurs	4510/61
64	Corp differentiel	4500/64
65	Demi-axes differentiel	4500/65
67	Goujon d'entrainement	4500/67
68	Jeu de rondelles train avant	4500/68
71	Coussinet guide barre antiroulis	4500/71
72	Axe moyeux roues arriere	4500/72
74	Jeu de rondelles pour timonerie et amortisseur	4500/74
75	Demi-axes roues arr.	4500/75
76	Cloche d'embrayage Z.16 avec roulements	4500/49
76	Cloche d'embrayage Z.17 avec roulements	4500/50
76	Cloche d'embrayage Z.18 avec roulements	4500/51
76	Cloche d'embrayage Z.16	4510/49
76	Cloche d'embrayage Z.17	4510/50
76	Cloche d'embrayage Z.18	4510/51
—	Roulement pour cloche d'embrayage	4510/81
—	Entretoise + circlips	4510/73
77	Axe d'entretoise roue arr.	4500/77
78	Bague d'arret bras train avant	4500/78
79	Pivot satellite	4500/79
80	Bride d'arret couronne diff.	4500/80
81	Satellite differential	3800/17
82	Chaine	4500/82
83	Joints-spheriques	4500/83
84	Tringlerie accelerateur-frein	4500/84
85	Support d'ailerons	4500/85
86	Jeu de vis parker	4500/86
87	Jeu de vis	4500/87
88	Jeu de vis 6 pans	4500/88
89	Jeu d'ecroux nylstop	4500/89
90	Jeu de circlips	4500/90
91	Engrenages planetaire	3800/18
92	Support batterie + recepteur	4500/92
93	Protecteurs en caoutchouc	4500/93
94	Support d'aileron	4500/94
95	Roulement axe couronne	4500/95
96	Raidisseur palier arriere	4500/96
97	Embrayage	3500/70T
98	Biellette de direction	3850

## ERSATZTEILLISTE

<b>ROBBE</b>	
<b>Bestell-Nr.</b>	
3476/01	POWER POD AUS ERGAL
3476/02	CHASSISPLATTE
3476/03	KUGELLAGERBOECKE
3476/05	KUGELLAGER HINTEN
3476/06	ANTRIEBSWELLE
3476/07	FUERUNG F. BREMSEXZENTER UND QUER STABILISATOR
3476/09	HINTERACHSLAGER
3476/10	BREMSSCHEIBE
3476/11	BREMSBELAEGE F. SCHEIBENBREMSE
3476/12	OBERER QUERLENKER HINTEN
3476/13	UNTERER QUERLENKER HINTEN
3476/14	ACHSHALTER HINTEN
3476/15	LAGERBOCK FUER ZWISCHENWELLE
3476/16	ZAHNRAD FUER KETTE Z 26
3476/17	HINTERFELGE
3476/18	EXZENTER F. FEDEREINSTELLUNG HINTEN
3563	MOTORTRAEGER X21 RE TST
3476/21	BREMSEXZENTER
3476/22	UEBERROLLBUEGEL
3476/23	RC - EINBAUPLATTE
3476/24	ABSTANDBOLZEN F. RC - EINBAUPLATTE
3476/25	OBERER QUERLENKER VORN
3476/26	GELENKE FUER QUERSTABILISATOR
3317	SERVO UEBERLASTUNGSSCHUTZ
3476/28	UNTERER QUERLENKER VORN
3476/30	PLATTENHALTERUNG F. VORDERACHSE
3476/31	ACHSHALTER VORN
3476/32	ACHSSCHENKELBOLZEN
3472/50	ACHSSCHENKEL FUER VORDERRAD Ø5
3476/34	VORDERFELGE
3558	KUGELLAGER VORN
3472/16	ABSTANDBOLZEN FUER KAROSSERIE
3476/38	RAMMSCHUTZ. HINTEN
3476/39	RAMMSCHUTZ. VORN
3476/40	EINSTELLPLATTEN F. VORDERACHSSTURZ
3476/41	STOSSDAEMFER
3476/42	EXZENTER F. FEDEREINSTELLUNG VORN
3476/43	FEDERN F. RADAUFHAENGUNGEN
3476/44	HALTERUNG F. QUERSTABILISATOR
3476/46	QUERSTABILISATOR - STANGEN
3476/47	RITZEL Z13 FUER KETTE
3476/48	TANK
3476/52	ZAHNRAD M 1 Z 44
3476/53	ZAHNRAD M 1 Z 45
3476/54	ZAHNRAD M 1 Z 46
3476/55	ZWISCHENWELLE
3476/56	STIFTE FUER BREMSBELAEGE
3476/57	STIFTE SATZ FUER QUERLENKER VORN
3476/59	STIFTE SATZ FUER QUERLENKER HINTEN
3476/61	STIFTE FUER STOSSDAEMPFERHALTERUNG
3476/64	DIFFERENTIALGEHAEUSE
3476/65	DIFFERENTIAL - HALBACHSEN
3476/67	MITNEHMERSTIFTE
3476/68	UNTERLEGSCHIEBENSATZ F. VORDERACHSE
3476/71	SINTERLAGER F. QUERSTABILISATOR
3476/72	STIFTE FUER QUERSTABILISATORLENKER
3476/74	UNTERLEGSCHIEBENSATZ FUER ANLENKUNGEN UND STOSSDAEMPFER
3476/75	HALBACHSE FUER HINTERRAEUER
3476/98	KUPPLUNGSGLOCKE Z.16 MIT KUGELLAGERN
3476/99	KUPPLUNGSGLOCKE Z.17 MIT KUGELLAGERN
3476/100	KUPPLUNGSGLOCKE Z.18 MIT KUGELLAGERN
3476/49	KUPPLUNGSGLOCKE Z.16
3476/50	KUPPLUNGSGLOCKE Z.17
3476/51	KUPPLUNGSGLOCKE Z.18
3476/81	KUGELLAGER FÜR KUPPLUNGSGLOCKE
3476/73	DISTANZRING + SEEGERRING
3476/77	DISTANZRING FUER HINTERRAD
3476/78	NACHLAUFVERSTELLUNG
3476/79	LAGERBOLZEN FUER SATELLITENRAEUER
3476/80	FLANSCH FUER DIFFERENTIAL
3333/17	SATELLITENRAEUER
3476/82	KETTE
3476/83	KUGELGELENKE
3476/84	GESTAENGE GAS - BREMSE
3476/85	SPOILER HALTEBUEGEL
3476/86	BLECHSCHRAUBENSATZ
3476/87	SENKTSCHRAUBENSATZ
3476/88	STIFTESATZ
3476/89	SELBSTSICHERNDE MUTTERN
3476/90	SEEGERRINGSATZ
3333/18	PLANETENRAEUER
3476/92	HALTEBOLZEN FUER EMPFAENGER UND POWER PACK
3476/93	GUMMISCHUTZKAEPPENSATZ
3476/94	ABSTANDBOLZEN
3476/95	KUGELLAGER FUER ZWISCHENWELLE
3476/96	BEFESTIGUNGSSTANGE
3387	KUPPLUNGSBAKEN
3343	SPURSTANGEN



Togliere eventuali bave di stampaggio  
*Sand eventual molding flashes*  
 EVENTUELLE GRAETE ENTFERNEN  
*Ebavurer si necessaire*



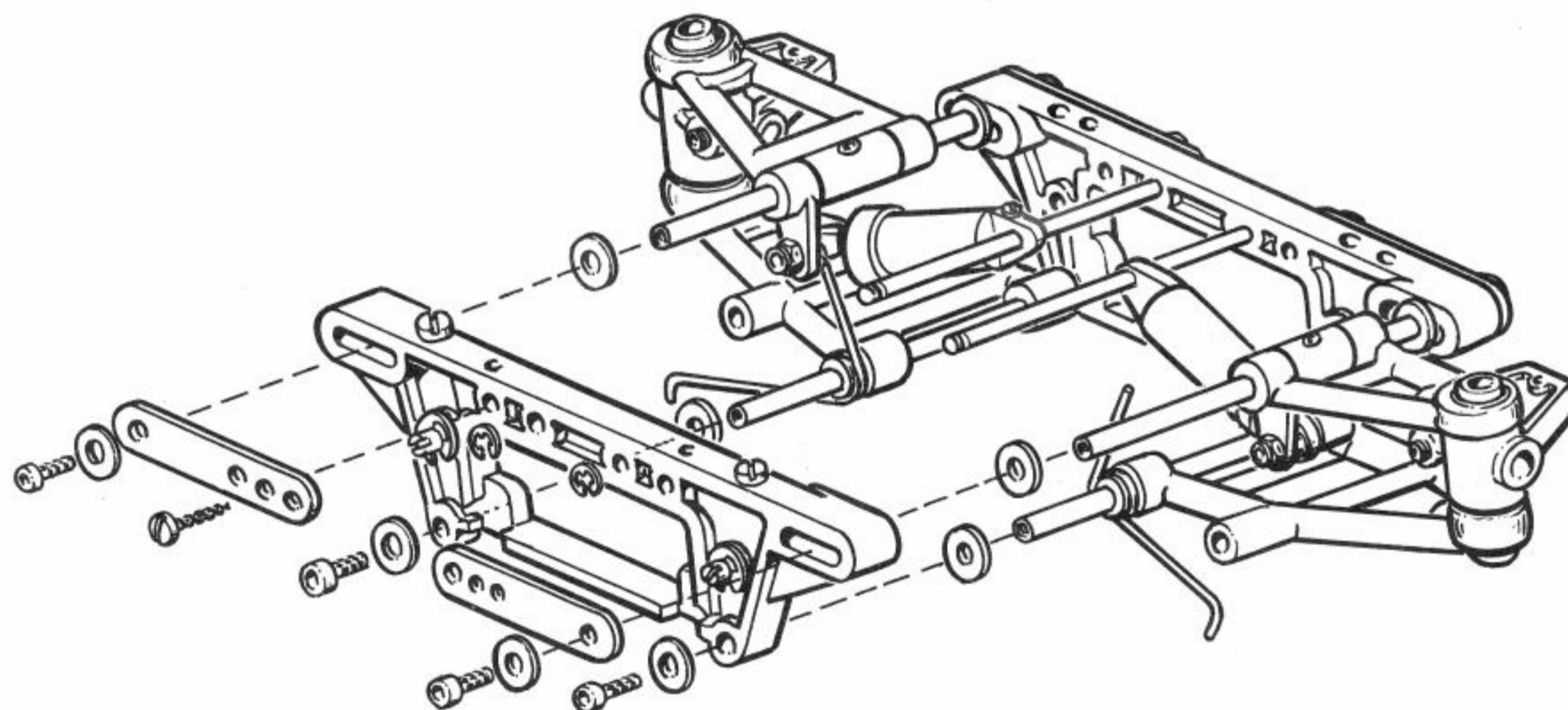
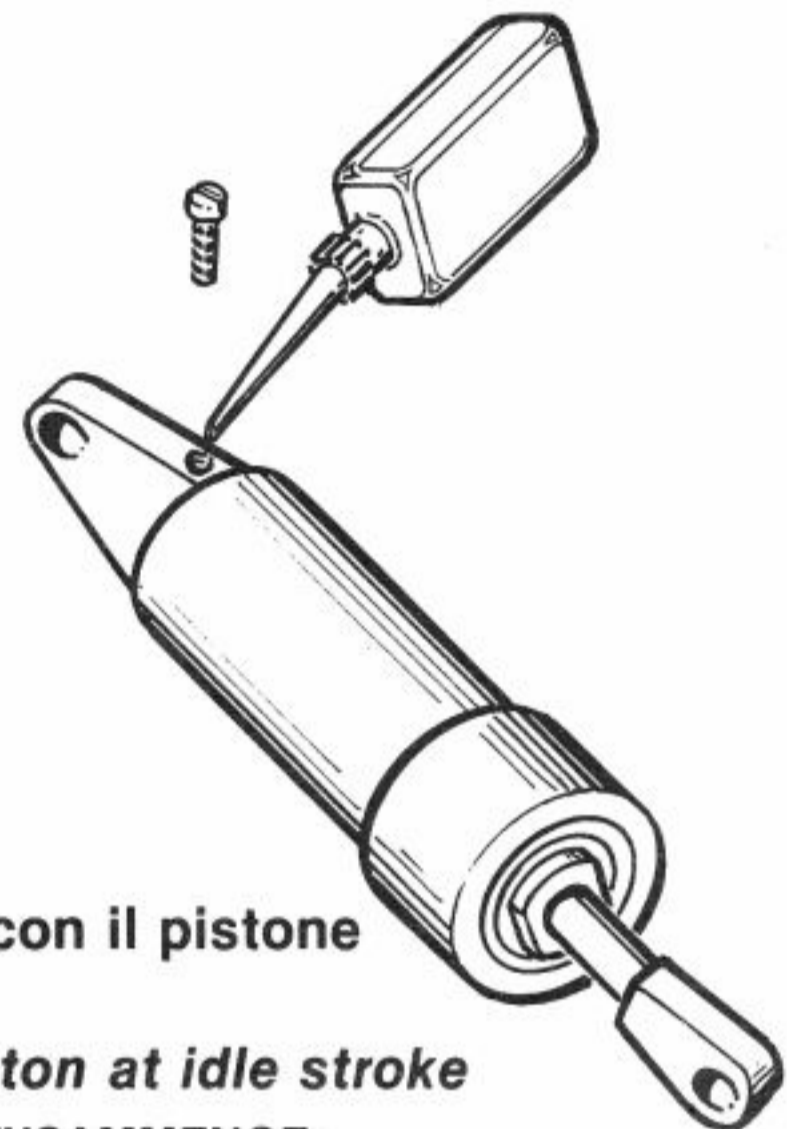
**Inverno: usare olio molto fluido**  
*Winter: fill up with flowing oil*  
 WINTER: DUENN FLUESSIGES OEL  
 EINFUELLEN  
**En hiver, utiliser de l'huile tres  
 fluide**  
**Estate: usare olio SAE 20-40**  
*Summer: fill up with  
 oil SAE 20-40*  
 SOMMER: JE NACH  
 TEMPERATUR OEL  
 SAE 20-40 EINFUELLEN  
**En été: utiliser  
 de l'huile  
 SAE 20-40**

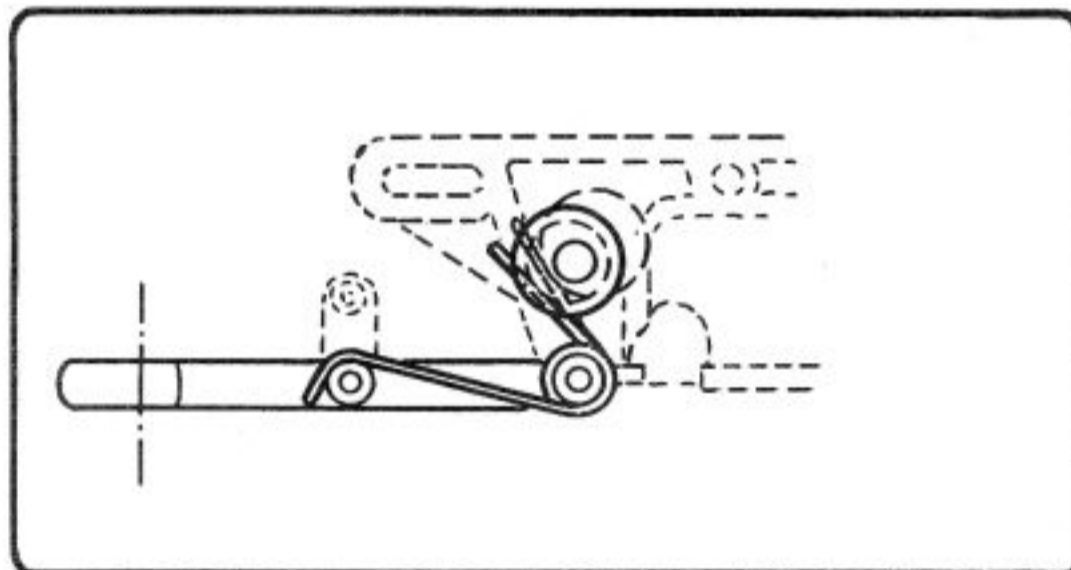
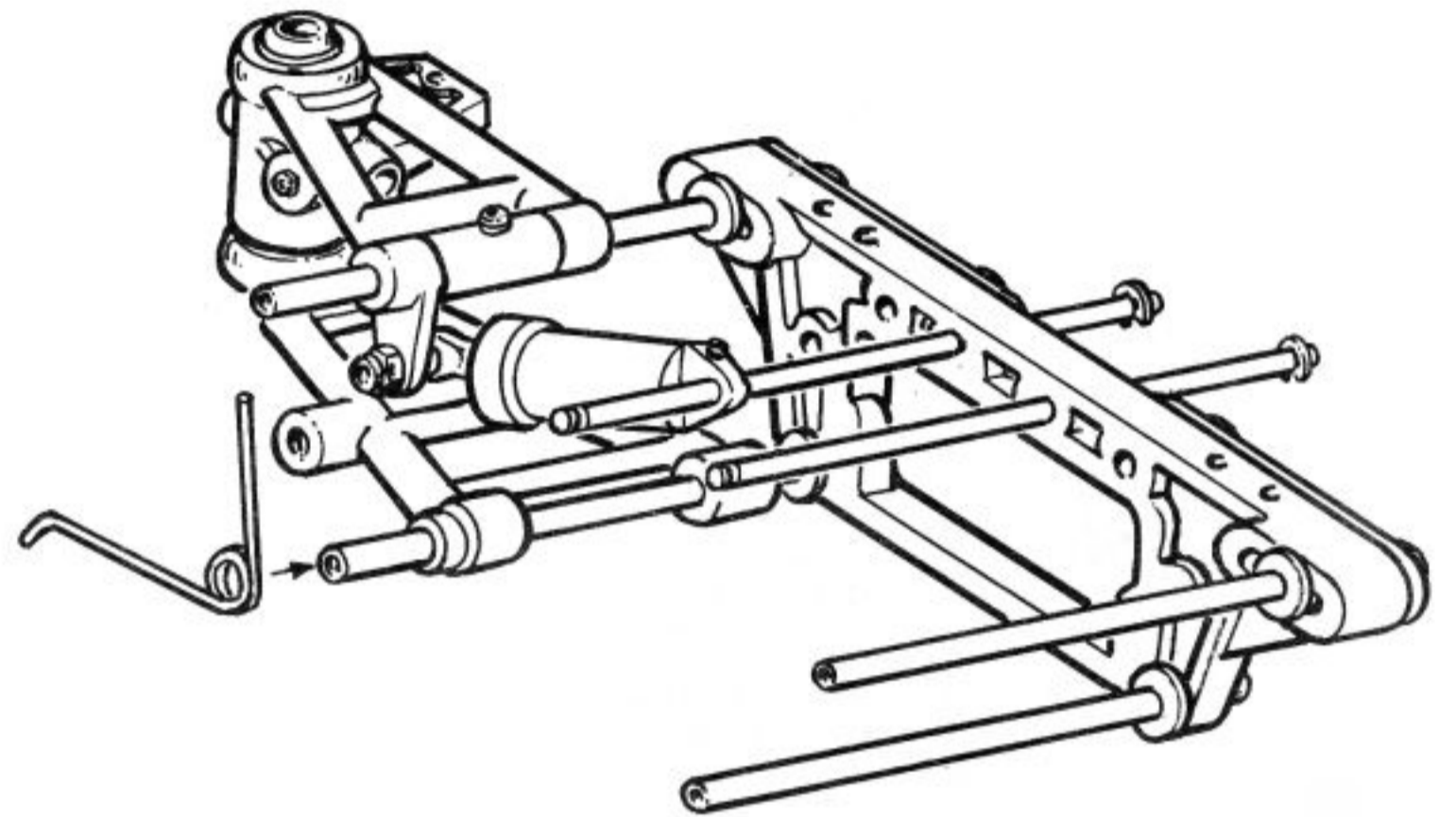
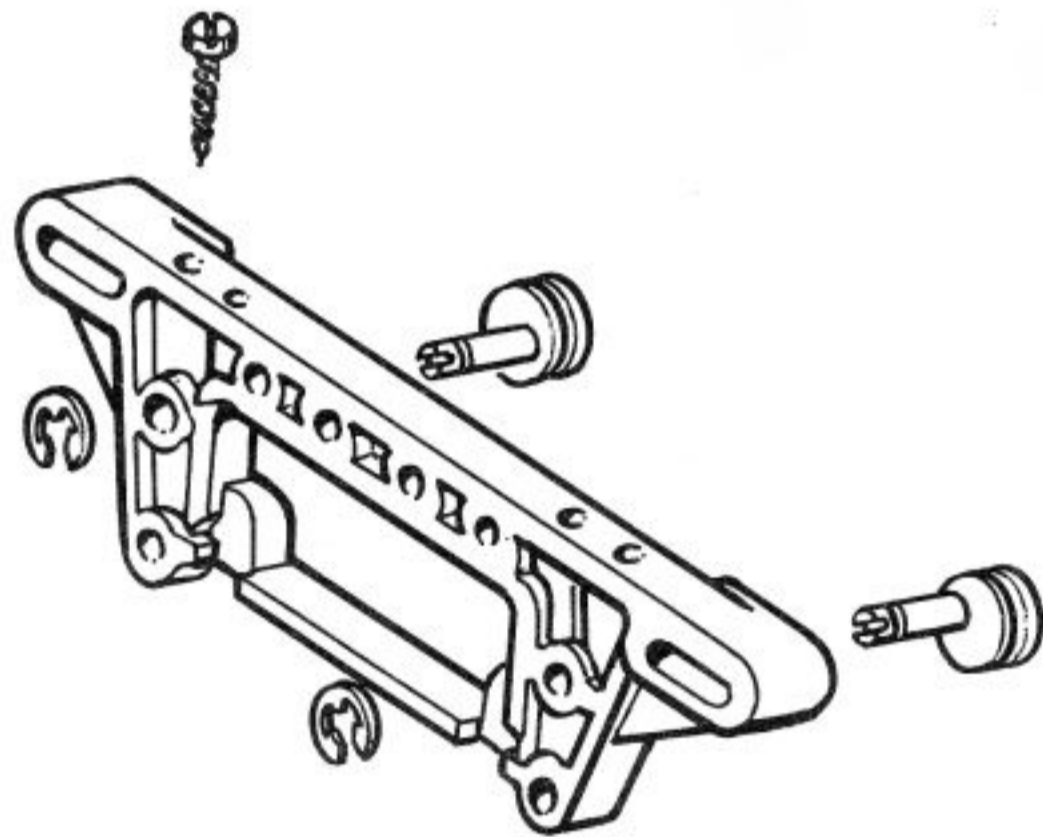
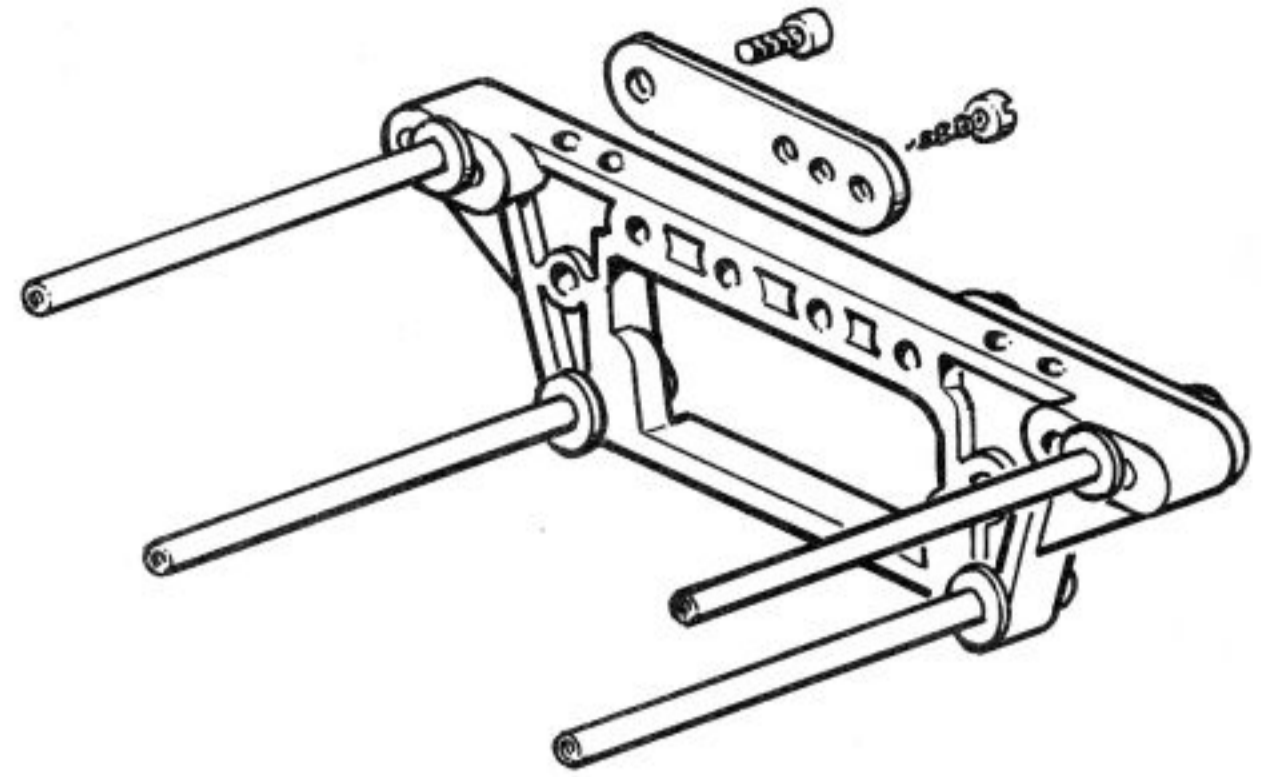
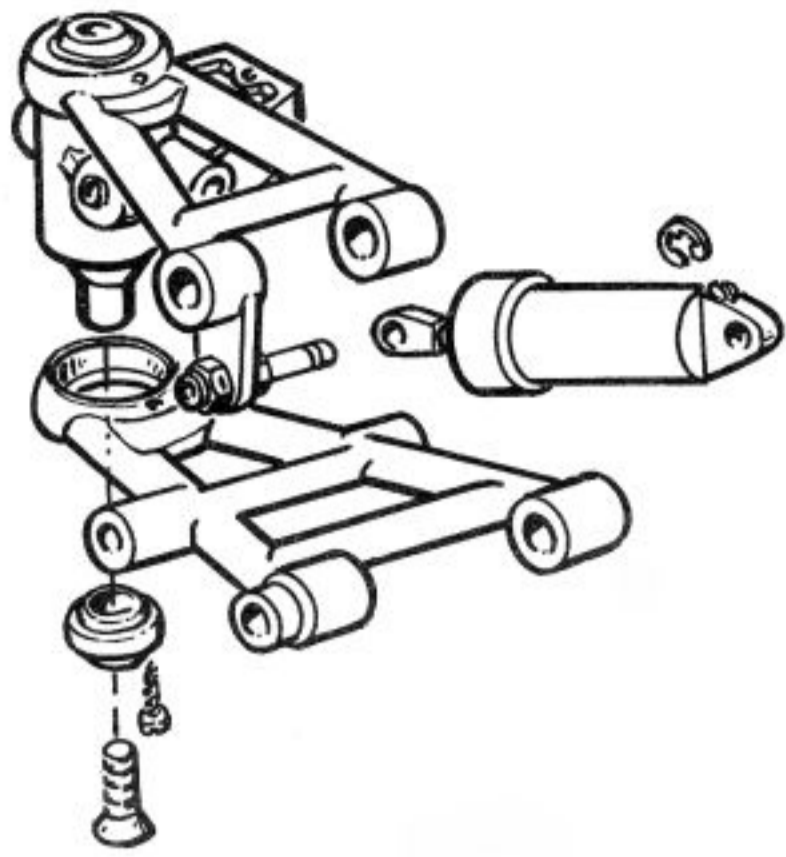


Rabboccare l'olio con il pistone  
 a fondo corsa

*Fill to the brim with the piston at idle stroke*  
 OEL NACHFUELLEN BEI GANZ ZUSAMMENGEDRUECKTEM STOSSDAEMPFER

*Amener le piston a fond de course et ensuite injecter l'huile*





**Per tarare la molla agire con un cacciavite sulla apposite camma**

**To adjust the spring action the camm with a screw driver**

**DURCH VERDREHEN DES EXZENTERS LAESST SICH DIE FEDERUNG BELIEBIG VORSPANNEN**

**Pour fixer le ressort, agir avec une cle sur la came opposee**

**Distanza consigliata: mm. 8.5 = 15°**

**Suggested distance: mm. 8.5 = 15°**

**EMPFOHLENER NACHLAUFWINKLEL 15° ENTSPRECHENDES MASS 8.5 MM**

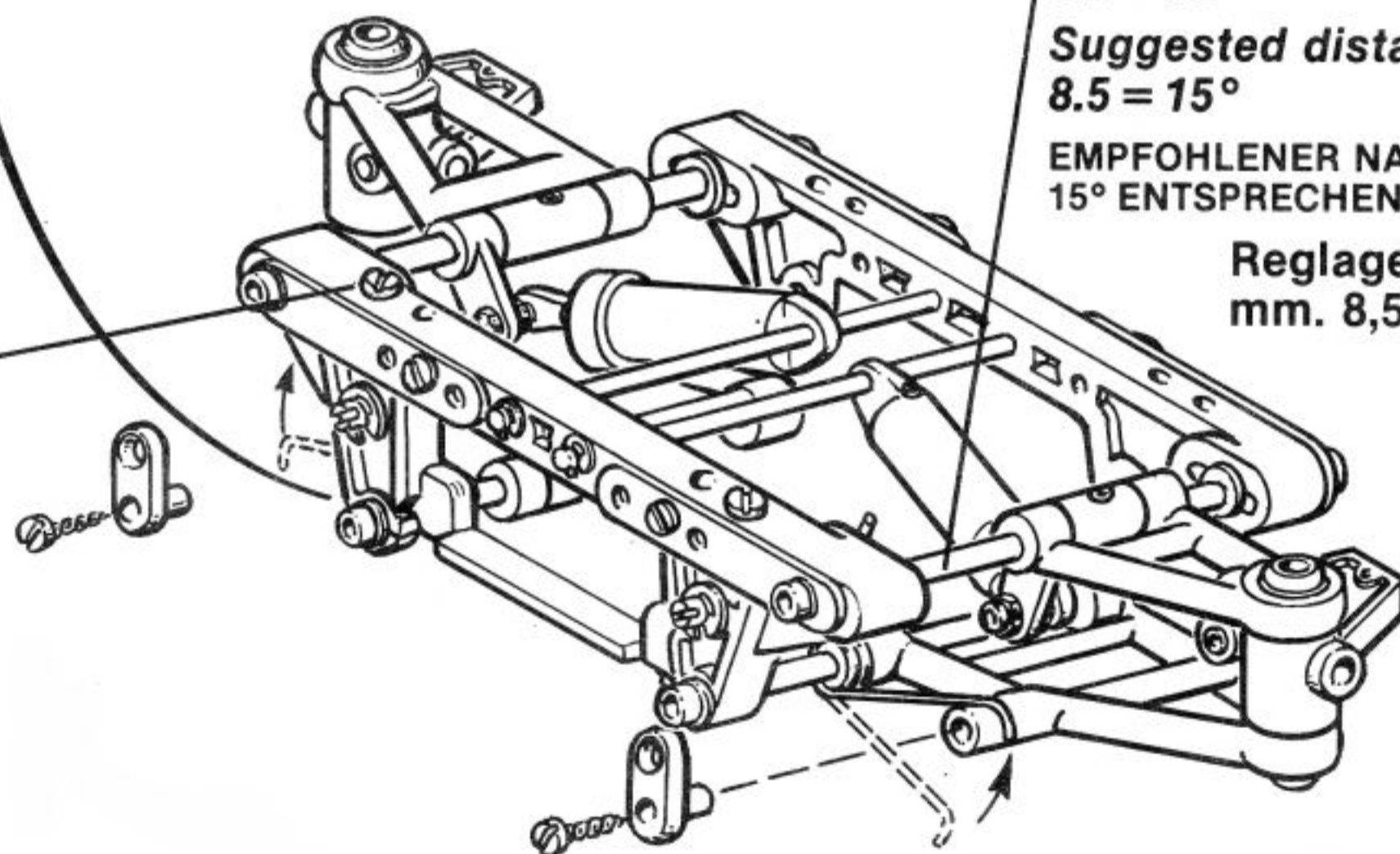
**Reglage conseille: mm. 8,5 = 15 degres**

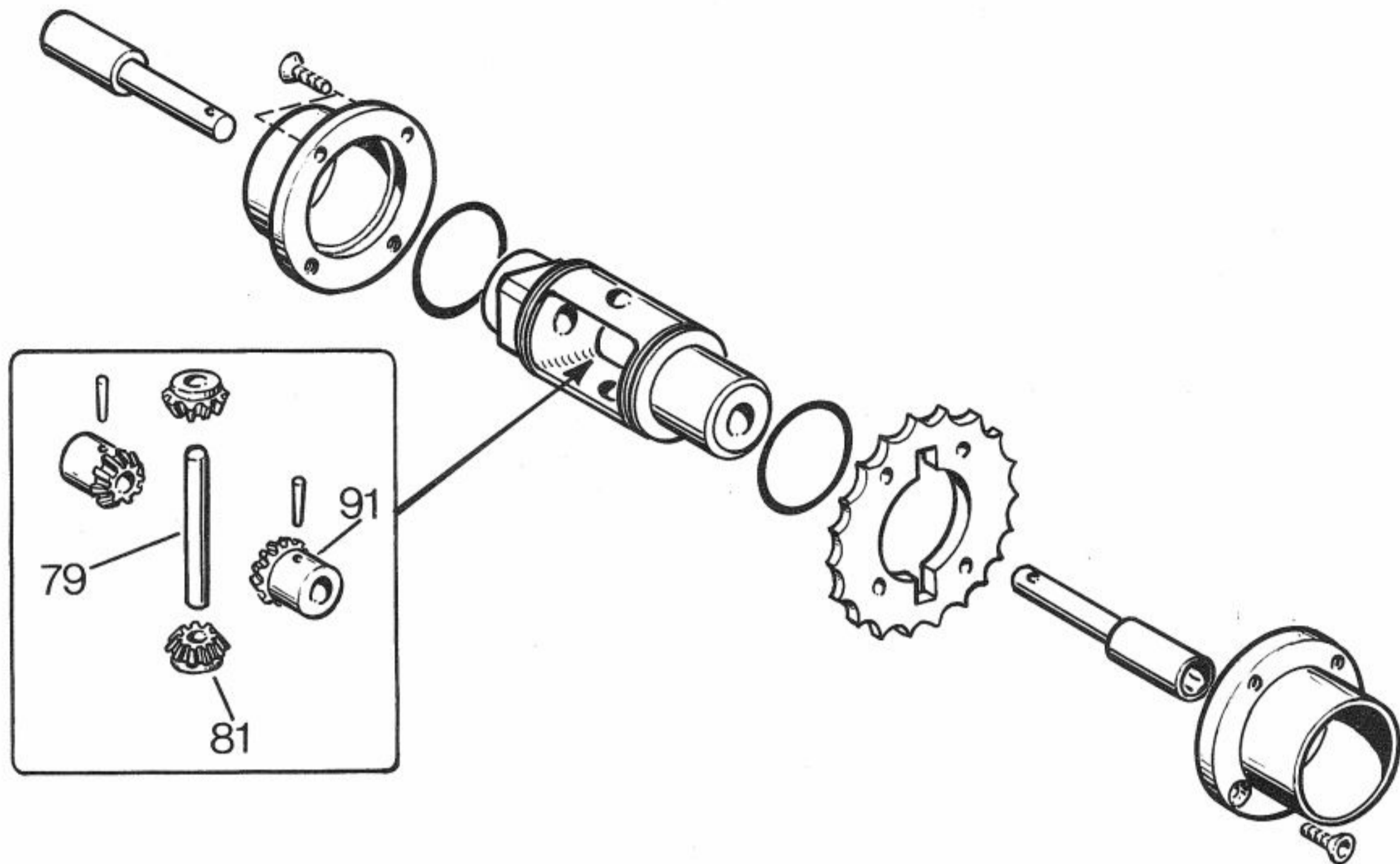
**Vite bloccaggio camma  
regolazione molla**

**Camm lock screw for spring  
settlement**

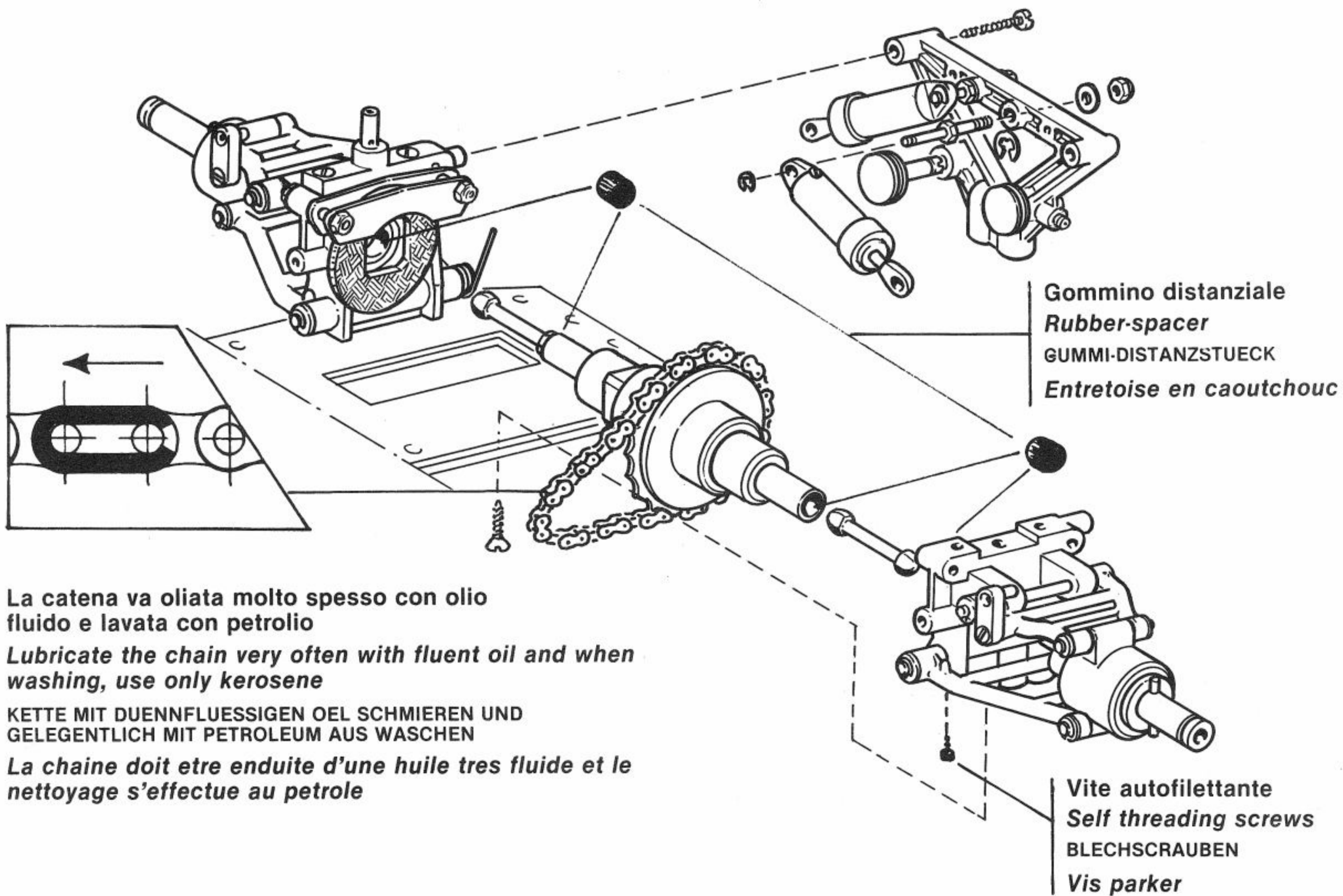
**SICHERUNGSSCHRAUBE FUER  
EXZENTER**

**Vis de blocage de la came**





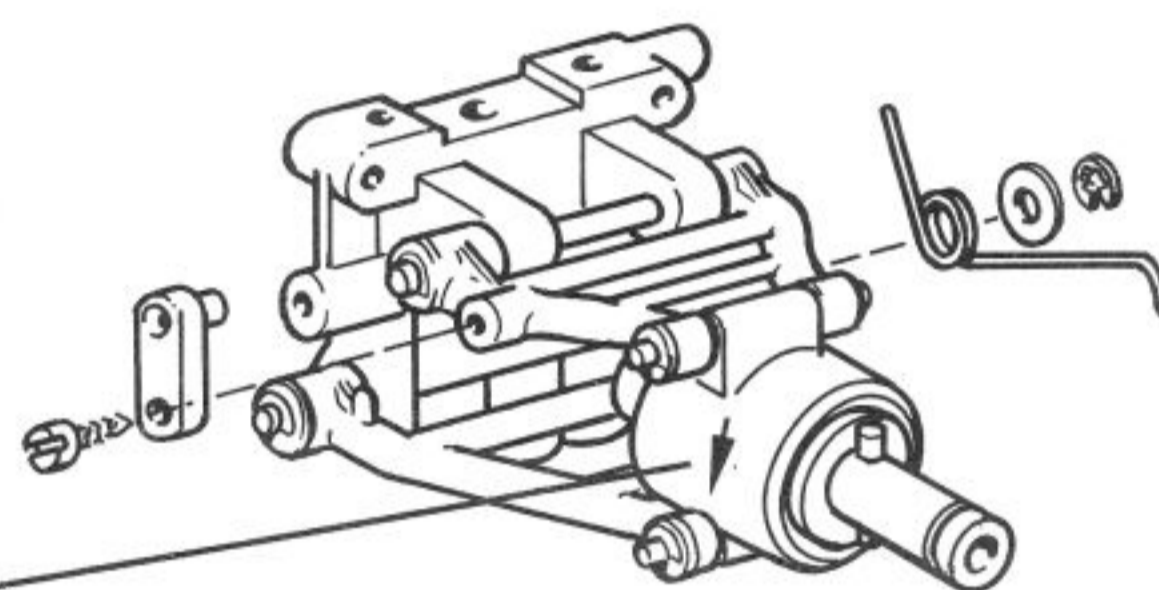
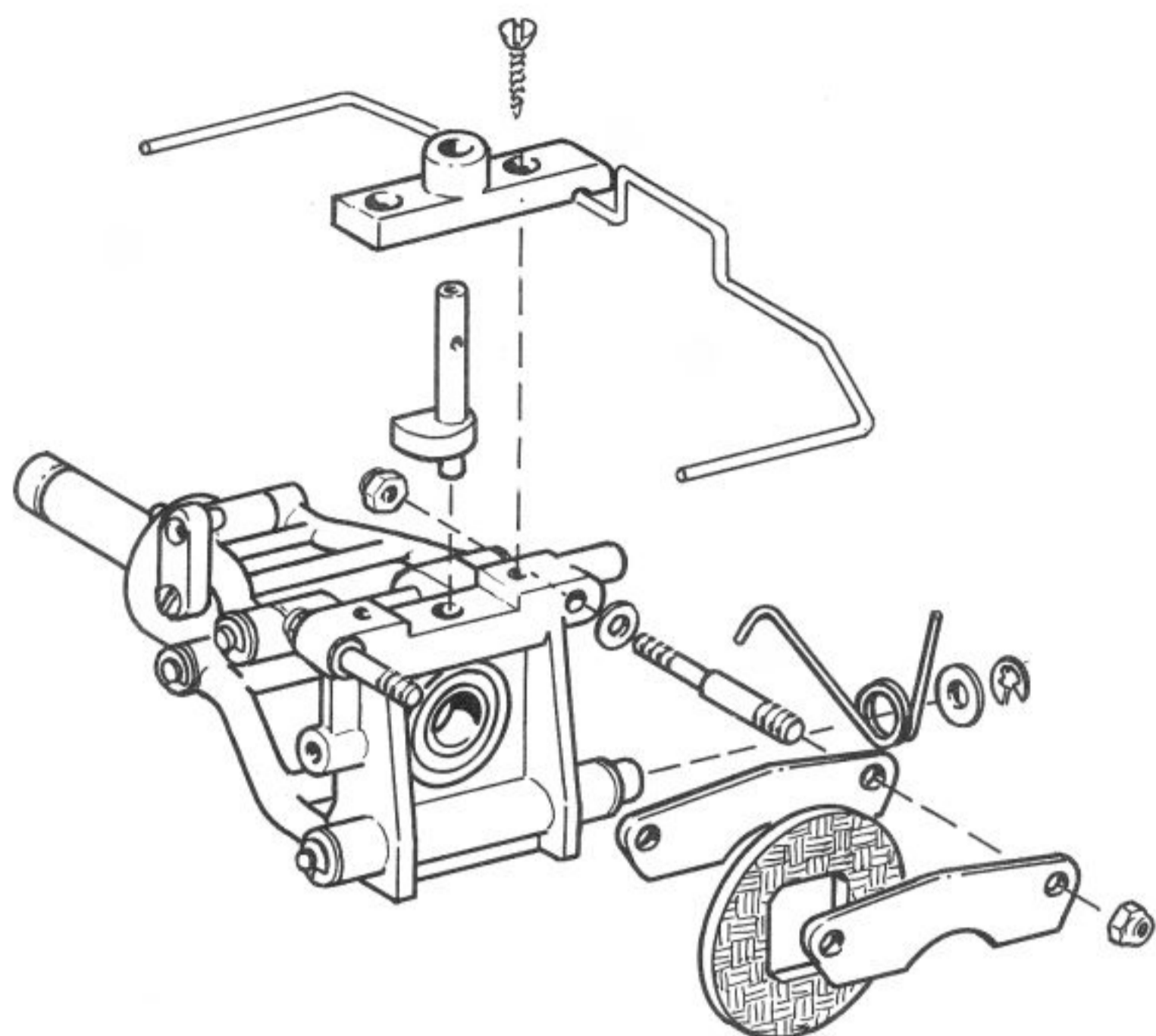
**Riempire con grasso universale**  
**Fill up with universal type grease**  
**DIFFERENTIAL MIT UNIVERSALFETT**  
**BEFUELLEN**  
**Remplir de graisse universelle**



**La catena va oliata molto spesso con olio**  
**fluido e lavata con petrolio**  
**Lubricate the chain very often with fluent oil and when**  
**washing, use only kerosene**  
**KETTE MIT DUENNFLUESSIGEN OEL SCHMIEREN UND**  
**GELEGENTLICH MIT PETROLEUM AUS WASCHEN**  
**La chaine doit etre enduite d'une huile tres fluide et le**  
**nettoyage s'effectue au petrole**

**Gommino distanziale**  
**Rubber-spacer**  
**GUMMI-DISTANZSTUECK**  
**Entretoise en caoutchouc**

**Vite autofilettante**  
**Self threading screws**  
**BLECHSCRAUBEN**  
**Vis parker**



**Assemblare con la freccia rivolta verso il basso**  
**To be assembled with the arrow pointing down**  
**RICHTUNG DES PFEILES NACH UNTEN BEACHTEN BEI DER MONTAGE DIESES TEILES**  
**Mettre la fleche vers le bas pour le montage de cette piece**

