

UM-29 INSTRUCTION FOR STABILIZER (FOR ULTIMA)

To prevent rolling of body, you can use stabilizer, which is adjustable without changing spring grade according to ground condition and grip of your tire.

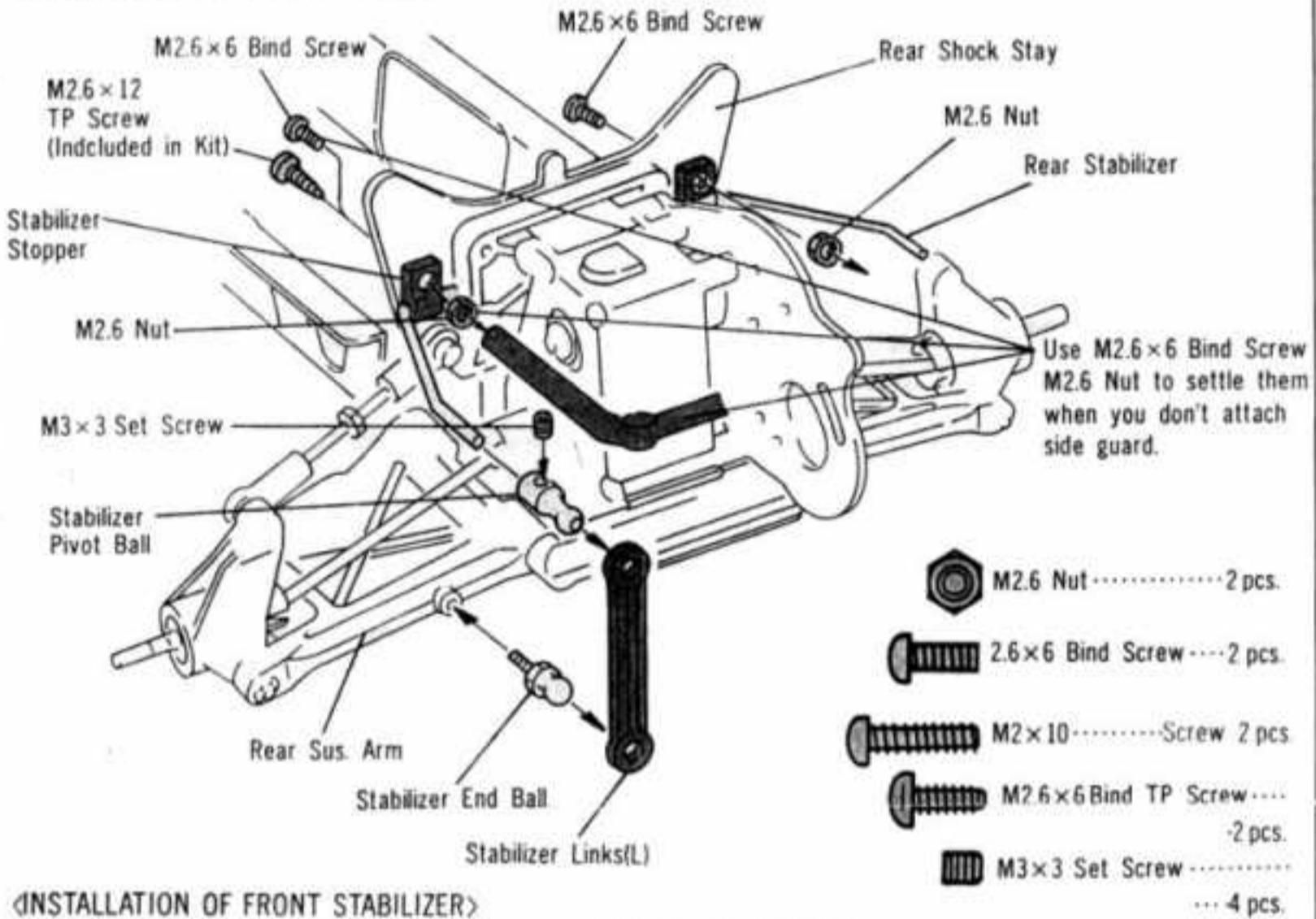
●Effect of Front Installation

→ You can get high straight running in leaning of under stair.

●Effect of Rear Installation

→ You can grade up response of steering wheel against cornering force at high speed.

<INSTALLATION OF REAR STABILIZER>



<INSTALLATION OF FRONT STABILIZER>

