

RADIO CONTROLLED 21 ENGINE POWERED SPORTS CAR

PORSCHE 959

- TRUE—SCALE PORSCHE 959 BODY.
- FOUR—WHEEL DRIVE SYSTEM, TRIPLE DIFFERENTIALS AND SHAFT DRIVE.
- REAR EXHAUST SCALE MUFFLER.
- CRASH—PROTECTED REAR UNDER COWL.
- 21 CLASS ENGINE (NOT INCLUDED)
2 CHANNEL RADIO SYSTEM (NOT INCLUDED)

1 : 8 SCALE



KYOSHO[®]
THE FINEST RADIO CONTROL MODELS

KIT NO.4281

BEFORE ASSEMBLY

- Read the instruction carefully.

You can assemble the kit more easily if you have grasped the general idea of steps and structure beforehand by reading it through to the end.

- Check the parts in the kits.

Check to see if all the parts are correctly bagged as they are listed in the "Bagged Parts List" (page 13,14). Your thorough understanding of the assembly will enable you to build the kit without any difficulty.



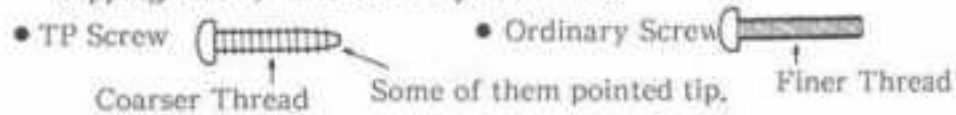
- Check the components in the kit prior to your starting of the assembly.



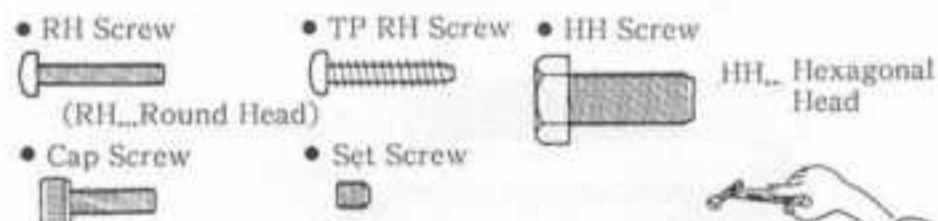
Any claims for replacements or refunds for the model in the process of assembly will not be accepted.

- Be well aware of the different types of screws.

1) The difference between the TP screw (short form of self-tapping screw) and ordinary screw is ...



2) The kinds of screws which will be used in this instruction.

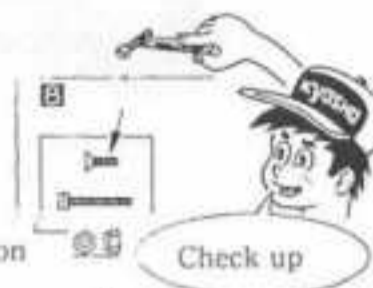


- Pick up the correct parts and screw.

Compare the shape and the size of small parts, such as screws, nuts and washers.

- Be sure about the location and direction of parts to install.

Double-check the location and orientation of parts with the illustration before installation. When necessary, assemble the parts themselves tentatively before proceeding to the next step.

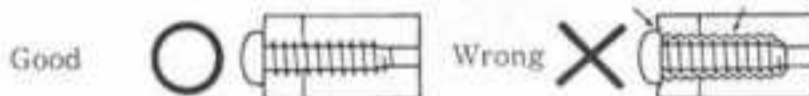


- Do not tighten the TP Screw too tight.

Do not use excessive force when tightening the TP Screw, or you may strip the thread in the plastic. It is recommended to stop tightening it when the thread part on the screw goes into the plastic part and you feel some resistance from the tightening.



Over tighten may strip the thread in the plastic.

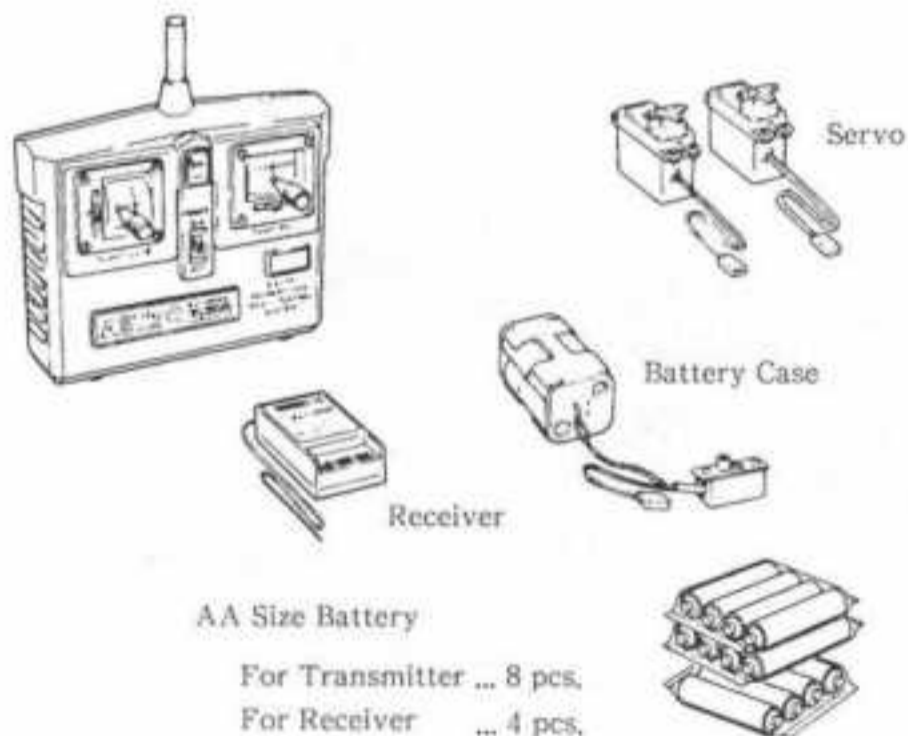


THINGS NEED BESIDES THE KIT

(2 Channel Radio System)

Two types of radio control set are on the market, the stick and the steering wheel type. Choose whichever you like.

*This model car is designed to use a reverse servo for the steering servo.



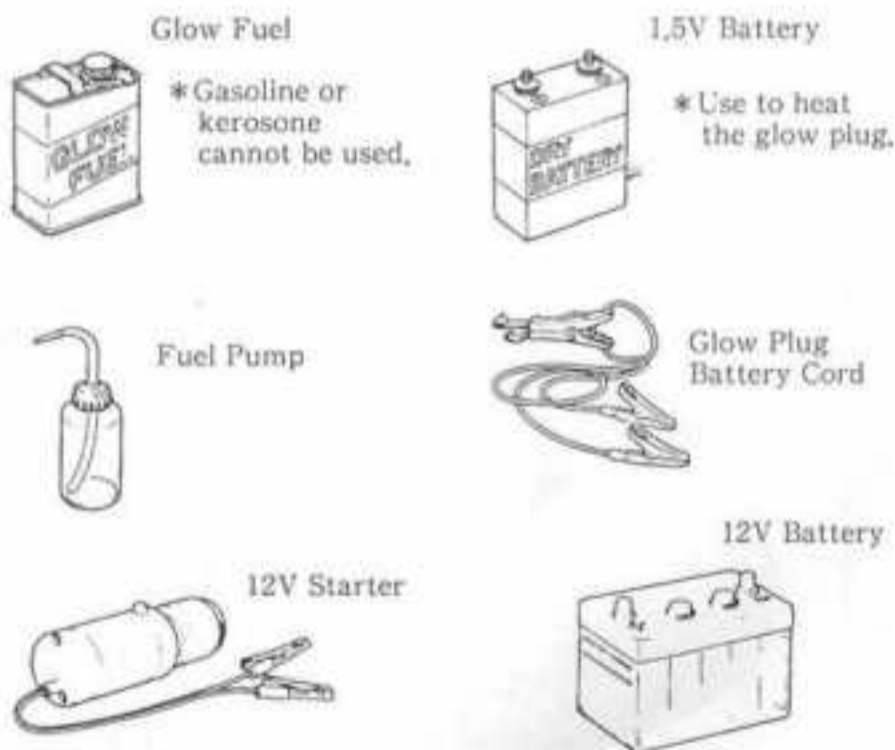
(Engine)

The following .21 size engines can be used for this model car,

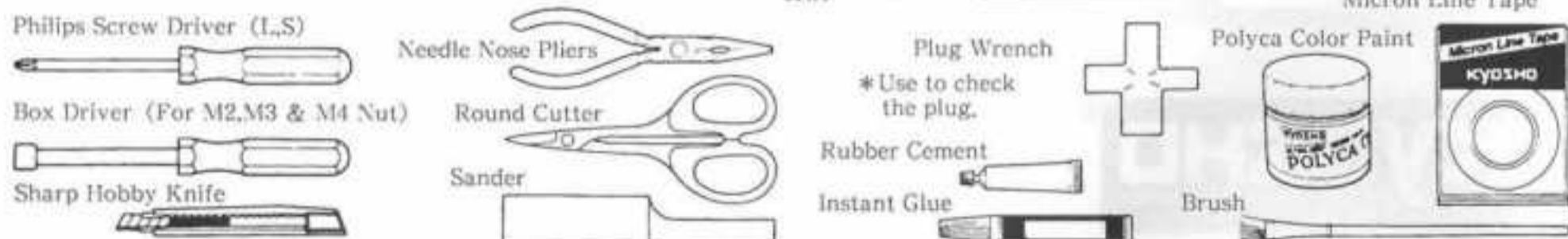
OS-21RFB, OS-21EXB, ENYA 21CXL



(Things need to start the engine)

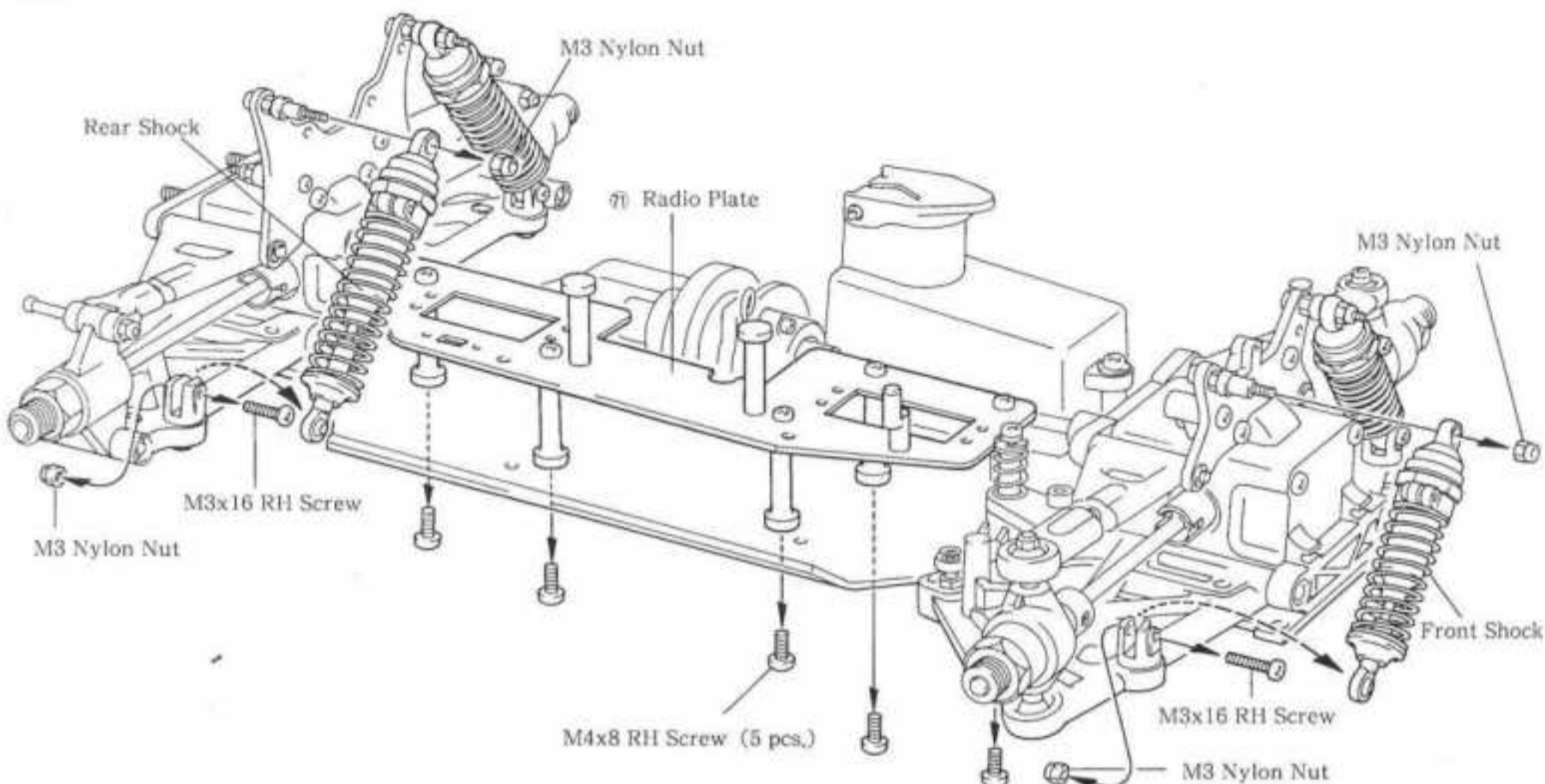


(Tools Required) Hex Key and Grease are in the kit.

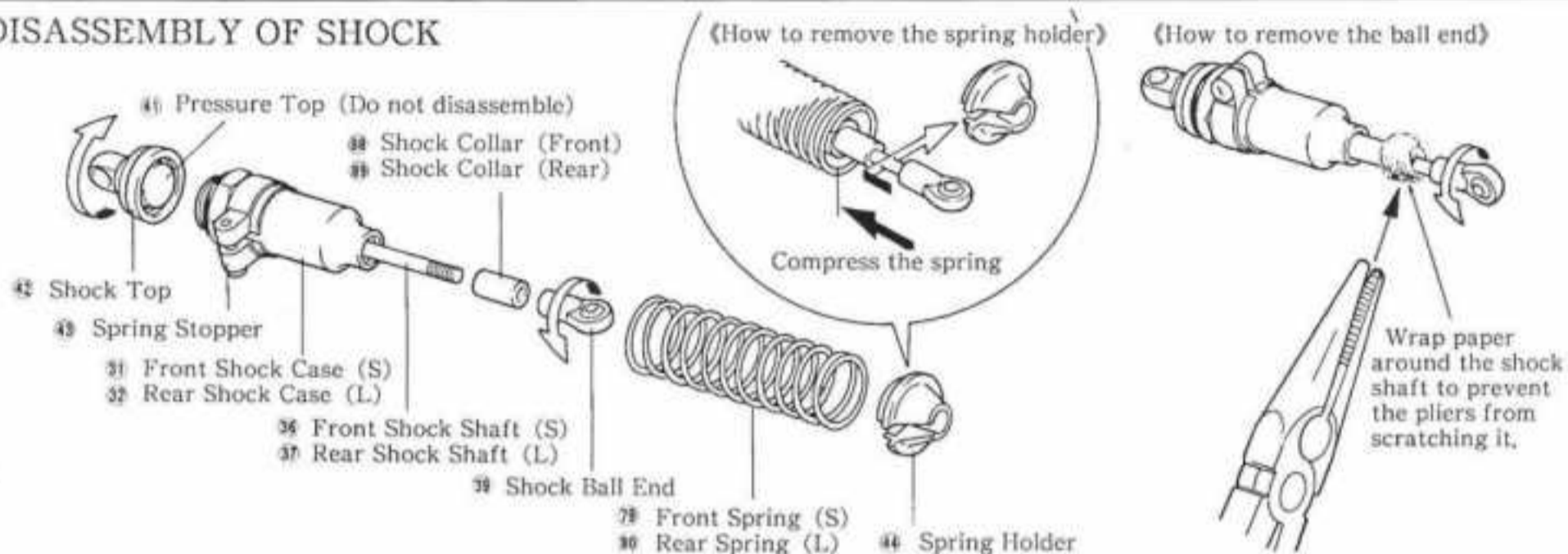


1 BEFORE ASSEMBLY

● Remove the Radio Plate, Front Shocks and Rear Shocks from the Chassis.

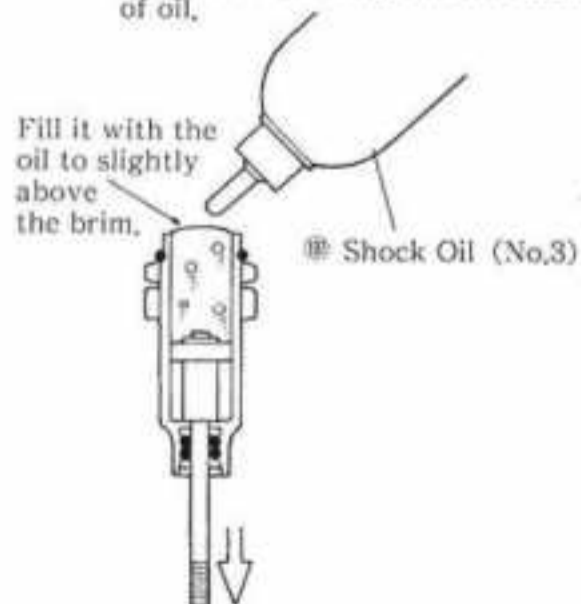


2 DISASSEMBLY OF SHOCK

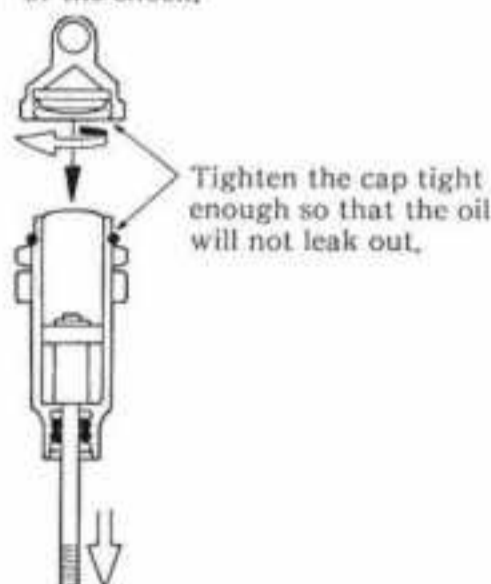


FILLING THE SHOCKS WITH OIL

1 Push the piston all the way down and put the oil in little by little while moving the piston up and down. This will help remove air bubbles. Fill the shock full of oil.



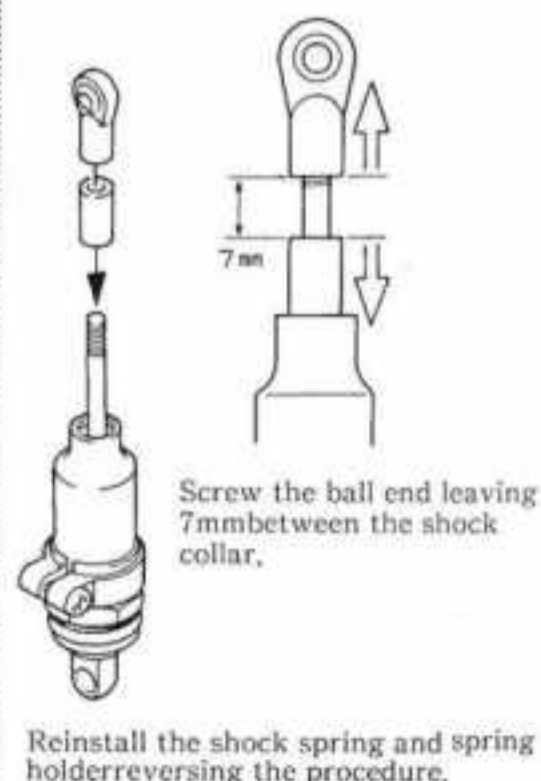
2 Keeping the piston at the bottom, gently screw the shock cap on while allowing the excess oil to overflow out of the shock.



3 Check to see if the shock piston will move correctly by operating the shock.

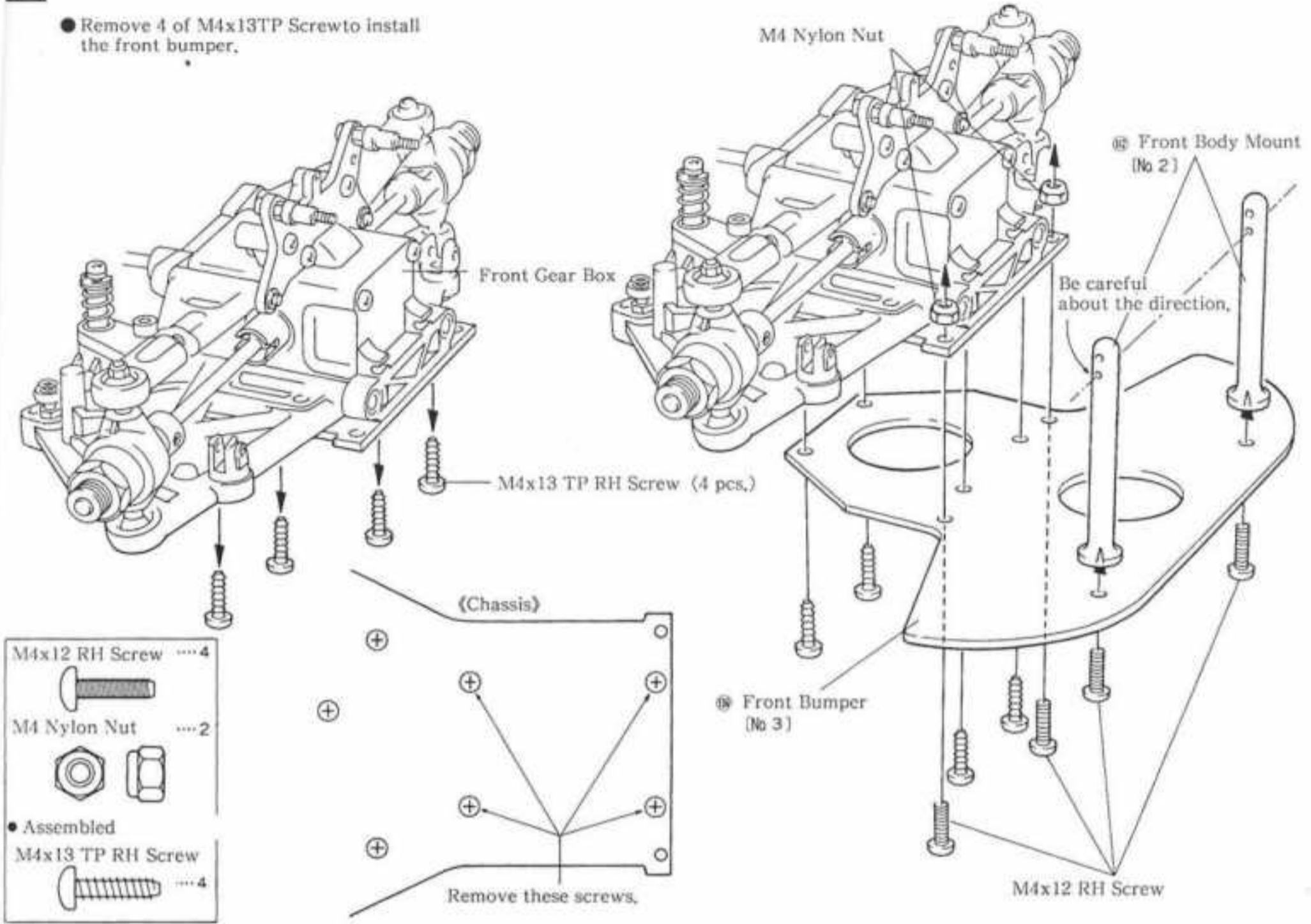


(Adjust the length)

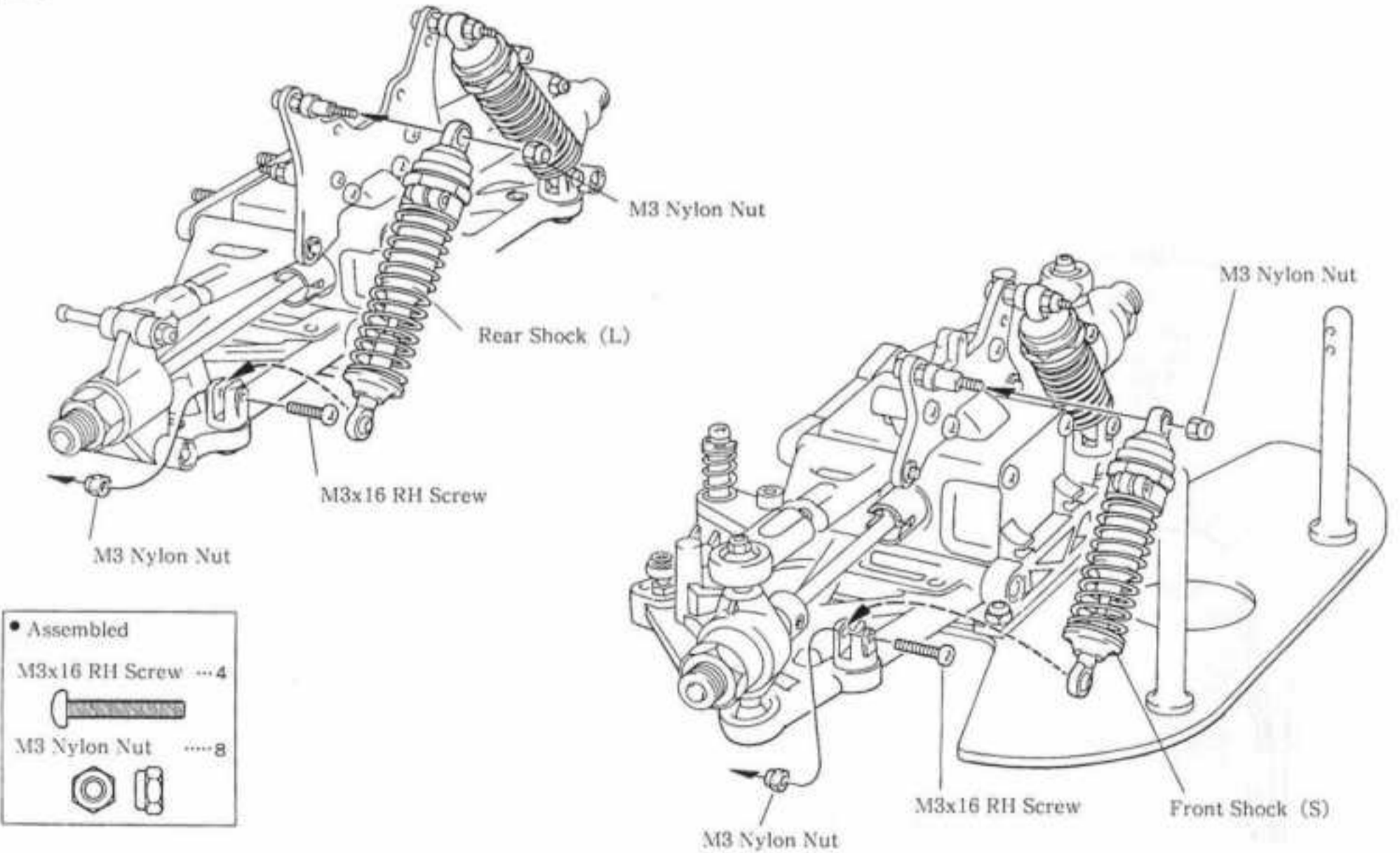


3 INSTALLATION OF BUMPER

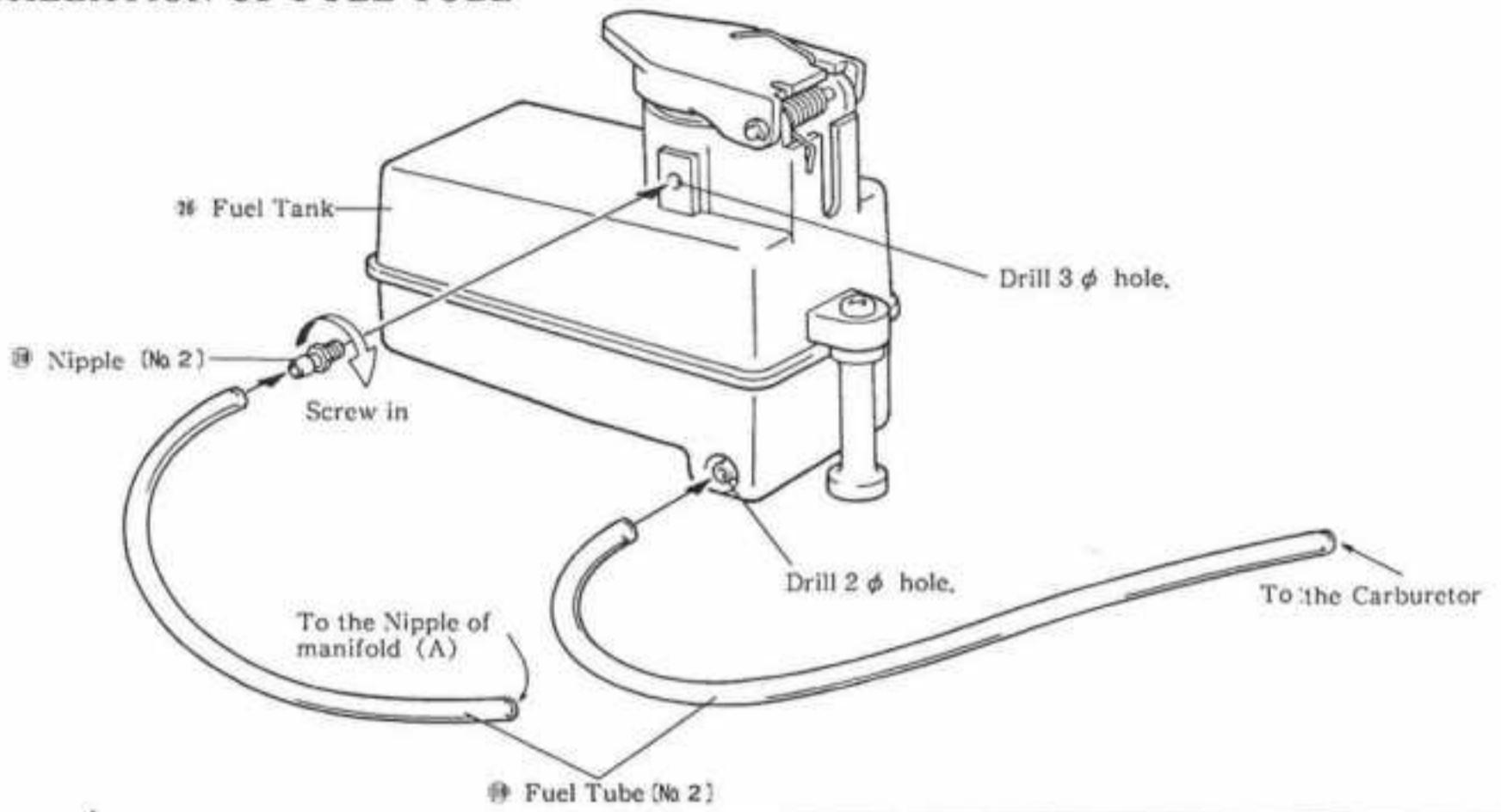
● Remove 4 of M4x13TP Screw to install the front bumper.



4 INSTALLATION OF SHOCK

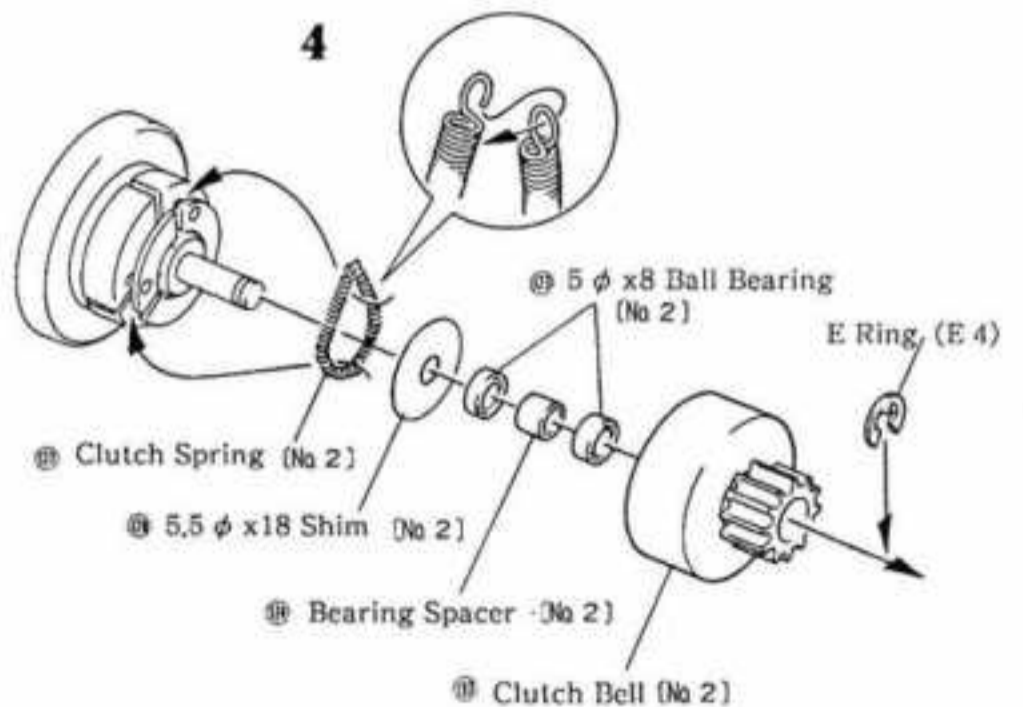
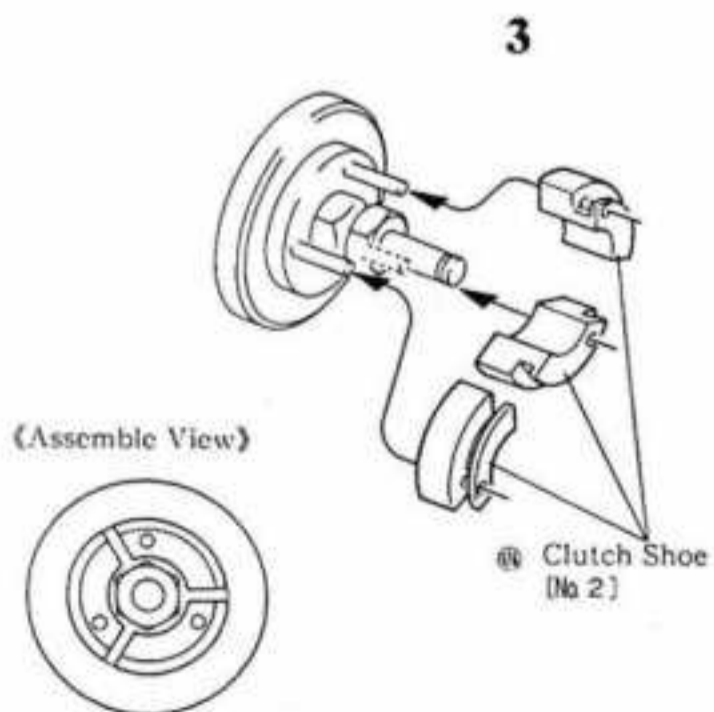
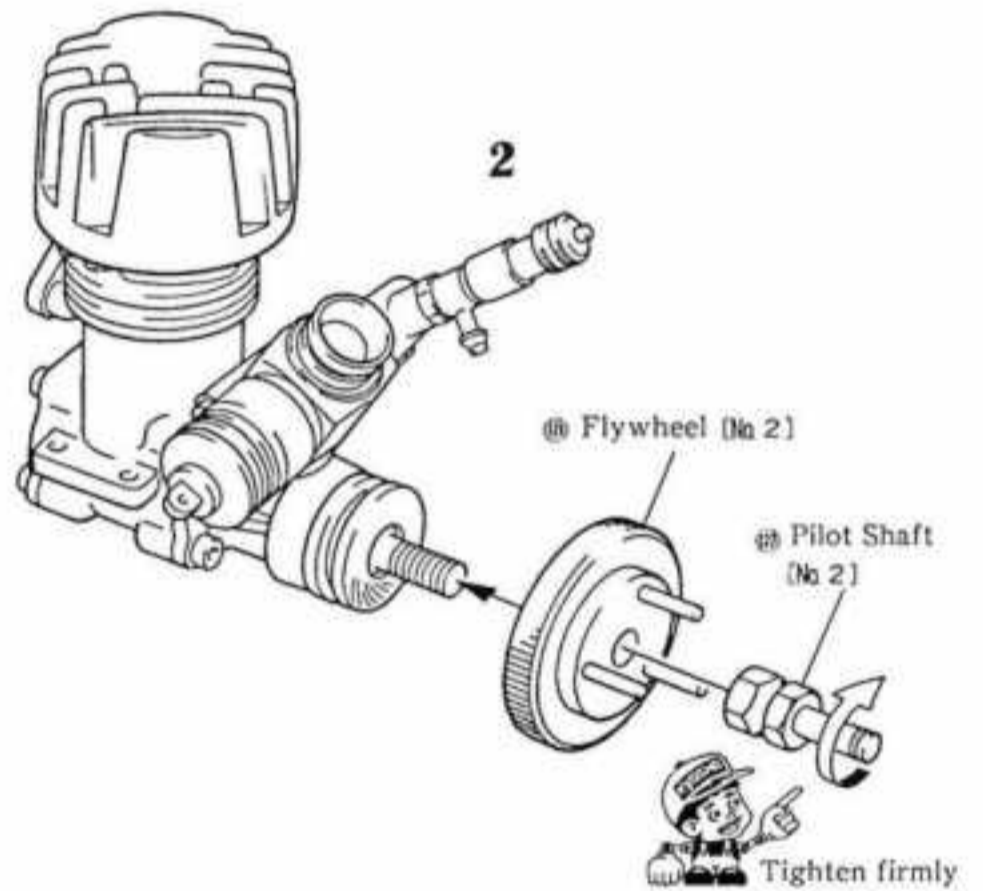
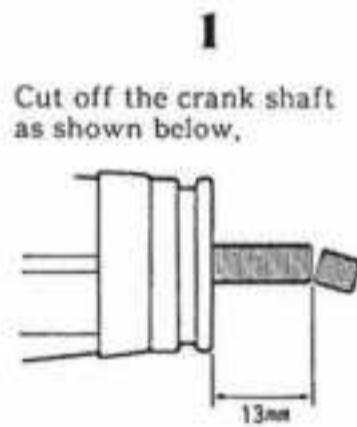
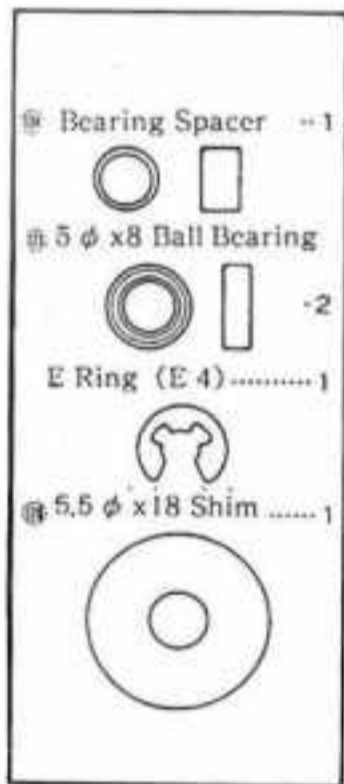


5 INSTALLATION OF FUEL TUBE



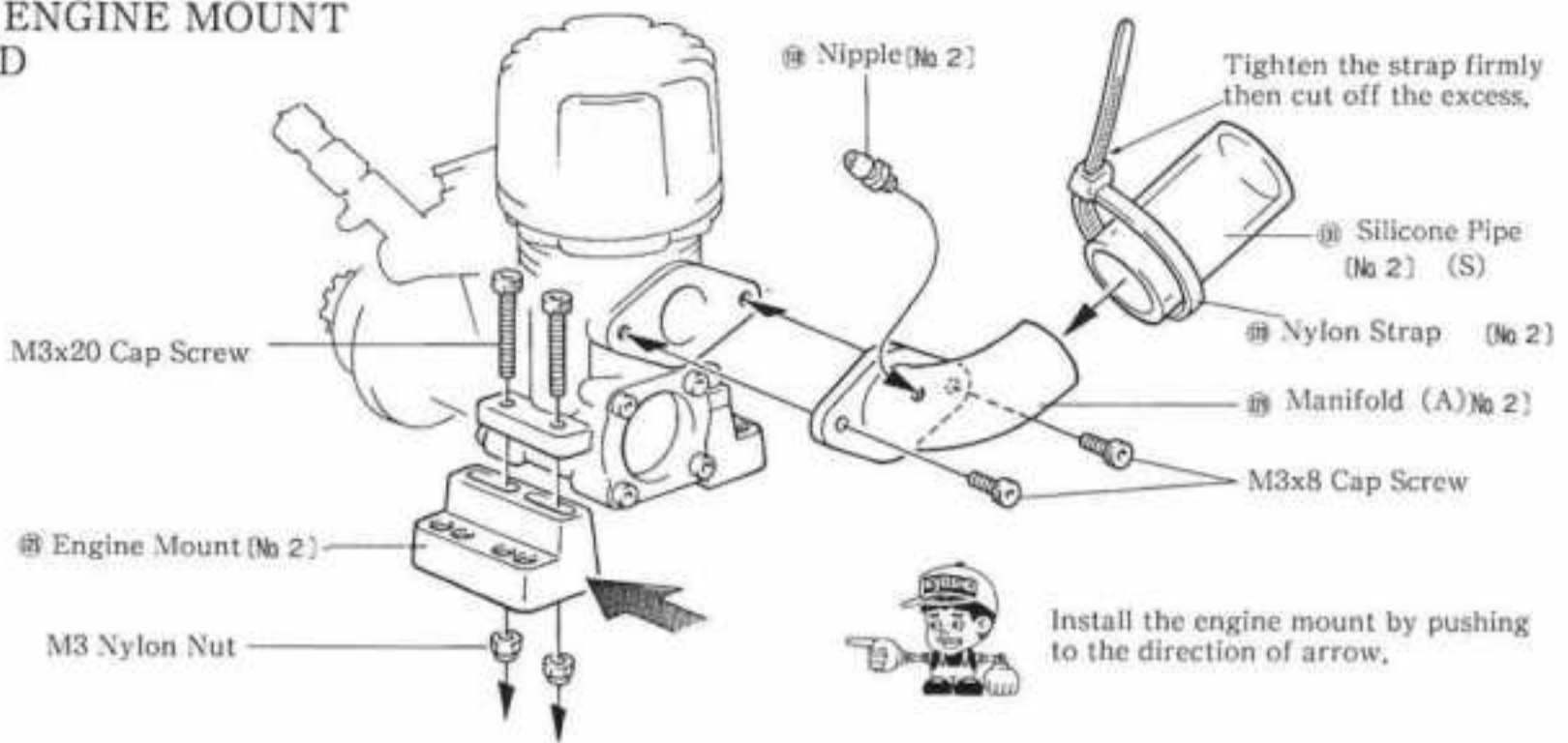
6 ASSEMBLY OF CLUTCH

● These parts (④ ~ ④, ④ ~ ④, and ④) used in this step are in bag [No.2] .



7 ASSEMBLY OF ENGINE MOUNT AND MANIFOLD

- M3x8 Cap Screw 2
- M3x20 Cap Screw 4
- M3 Nylon Nut 4



8 INSTALLATION OF ENGINE

- M5x12 HH Screw 4
- 5 φ x12 Washer 4

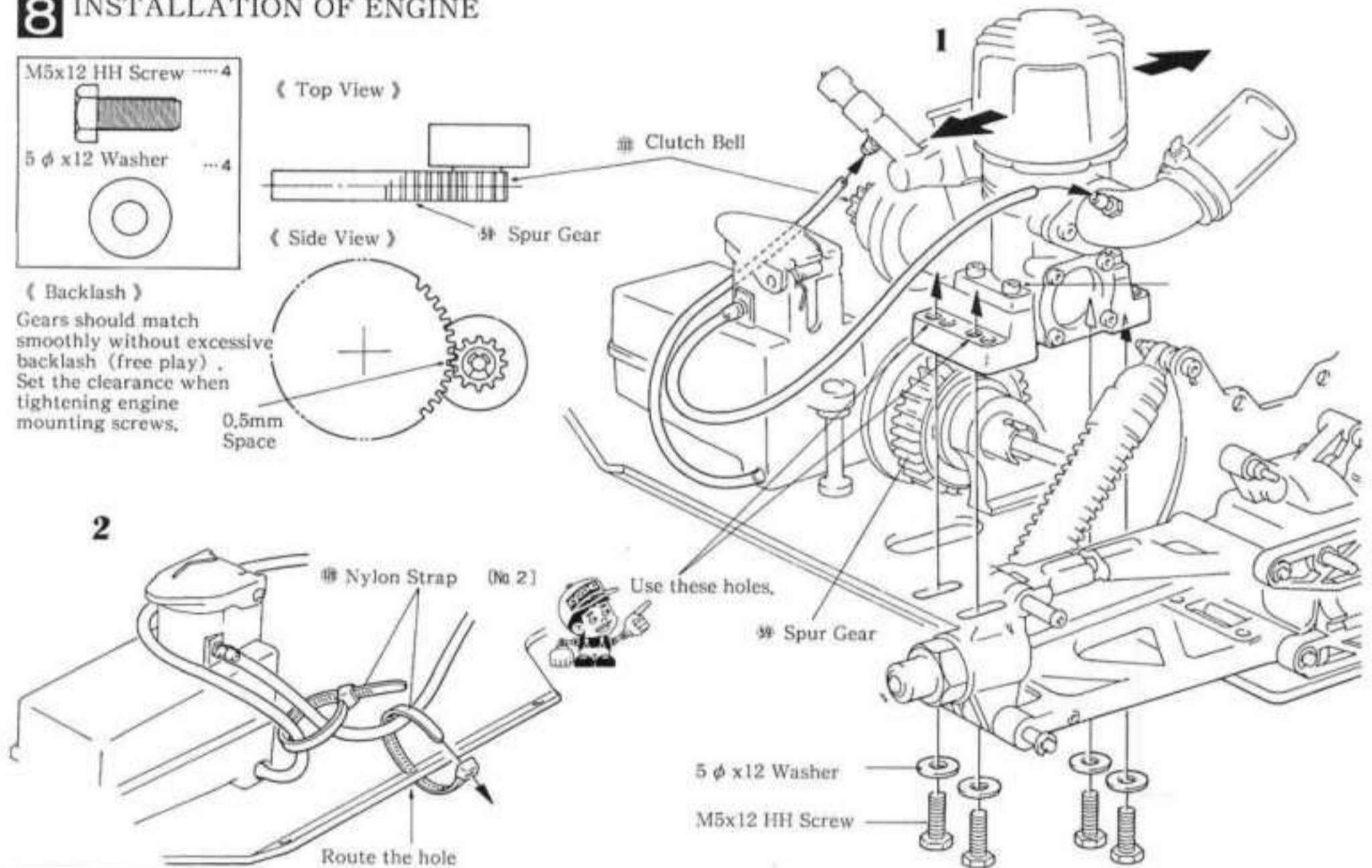
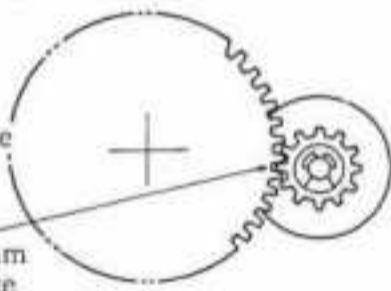
《 Backlash 》

Gears should match smoothly without excessive backlash (free play). Set the clearance when tightening engine mounting screws.

0.5mm Space

《 Top View 》

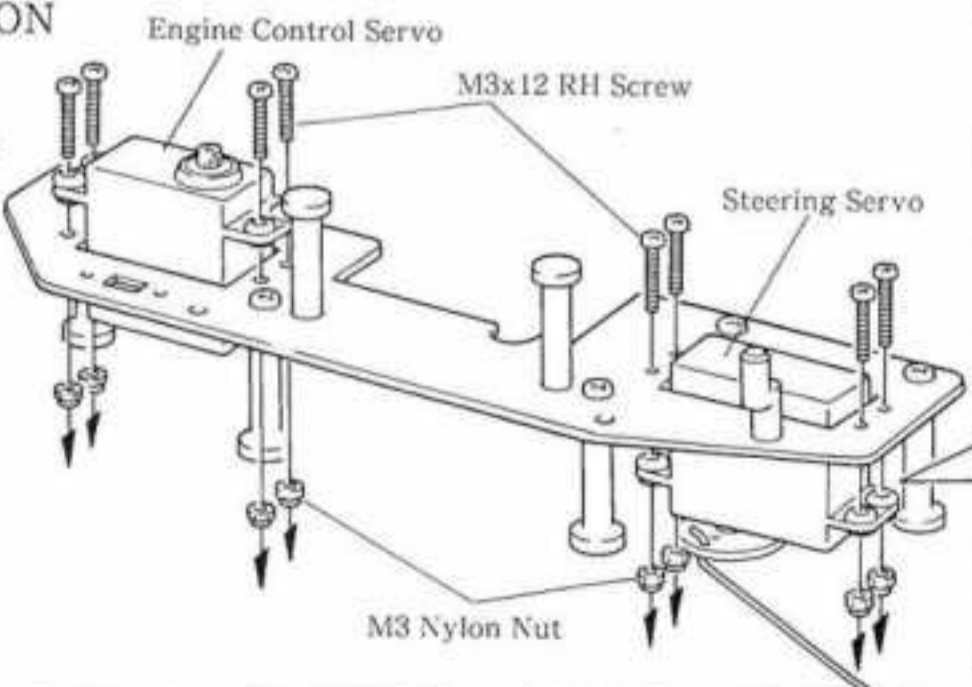
《 Side View 》



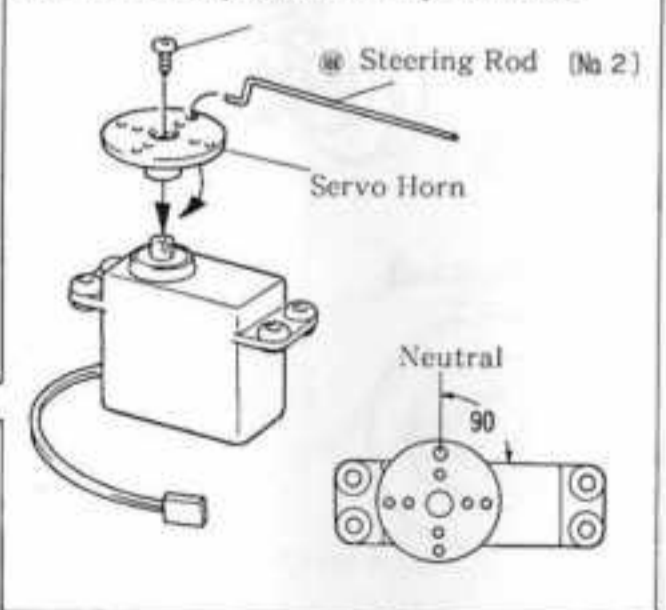
9 INSTALLATION OF SERVO

*Set the servo in neutral position before install.

- M3x12 RH Screw 8
- M3 Nylon Nut 8



Use the screw provided with your radio.



10 INSTALLATION OF RECEIVER AND BATTERY BOX

Use the screw provided with your radio.

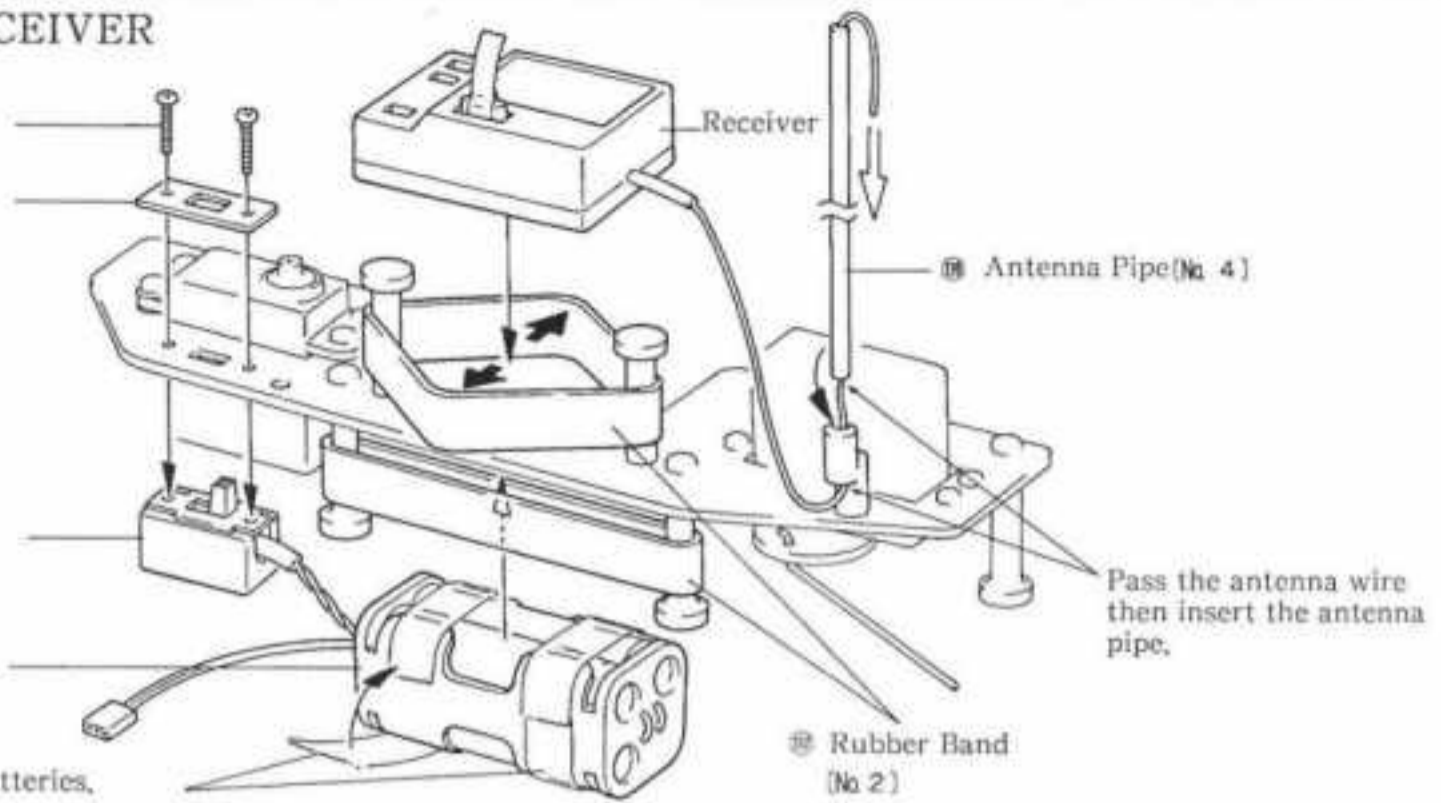


Apply tape to fix batteries.

Switch Plate

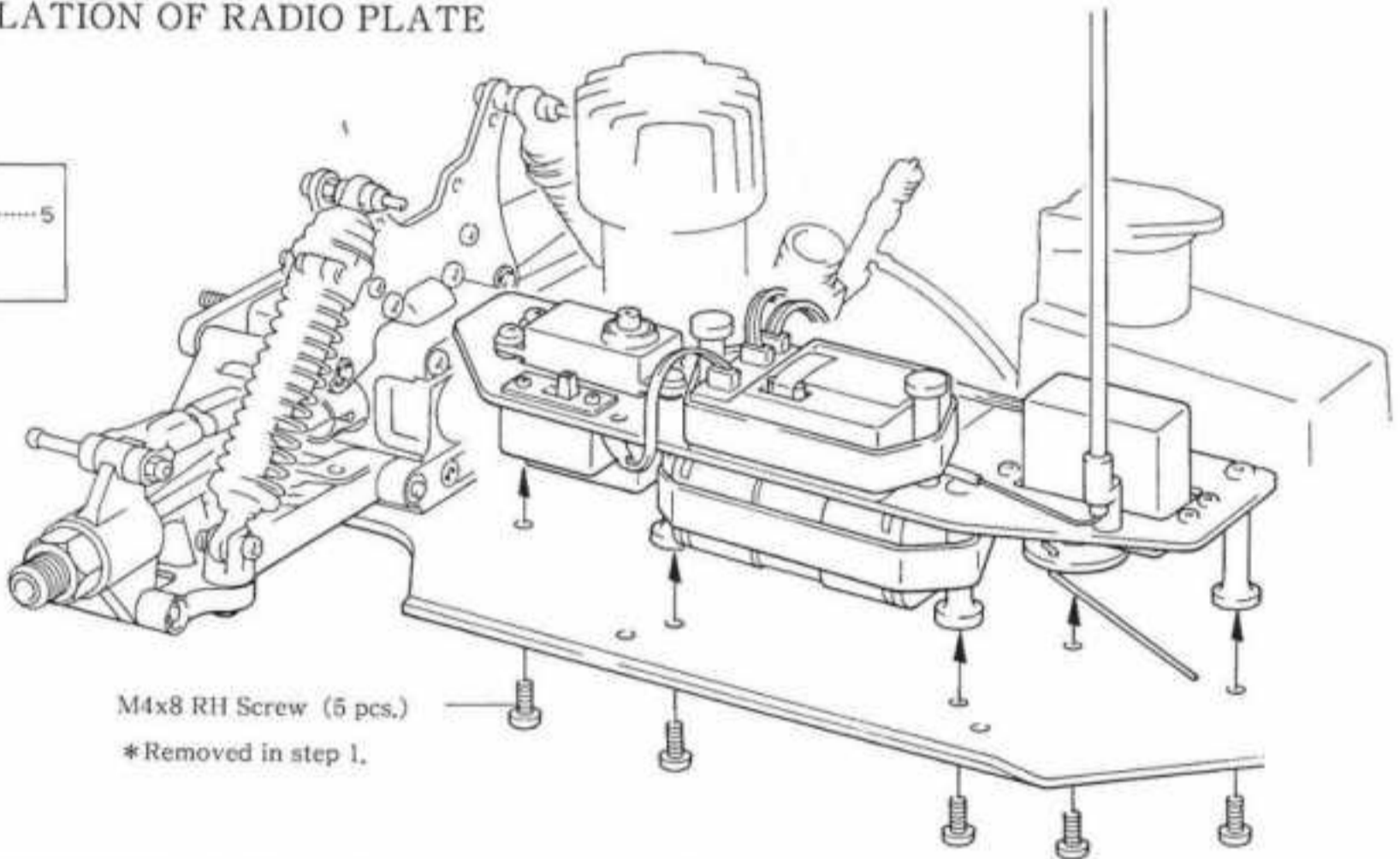
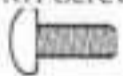
Receiver Switch

Battery Box



11 INSTALLATION OF RADIO PLATE

Assembled M4x8 RH Screw 5

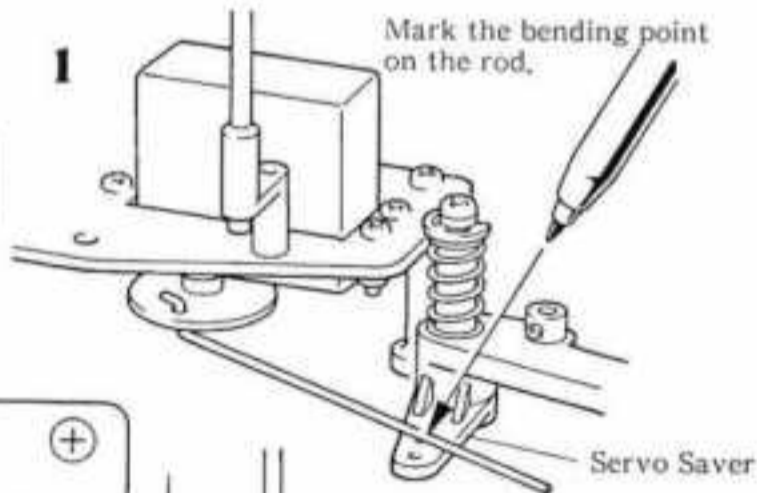


12 STEERING LINKAGE

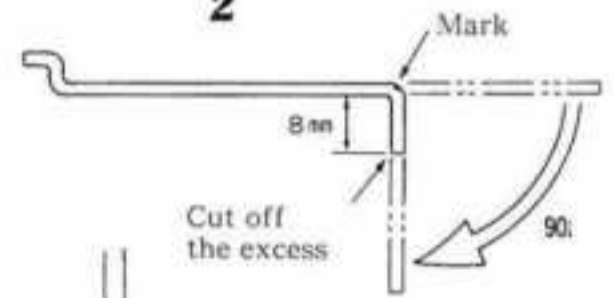
M3x3 Set Screw 1

1

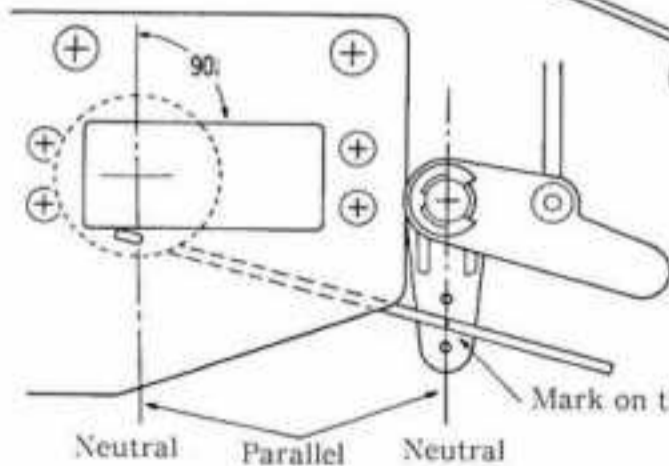
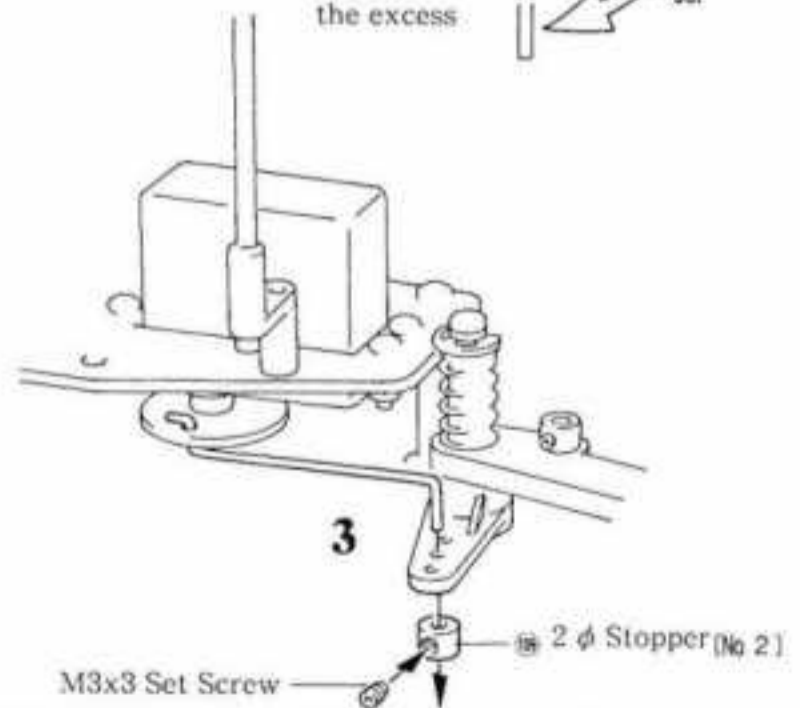
Mark the bending point on the rod.



2



3

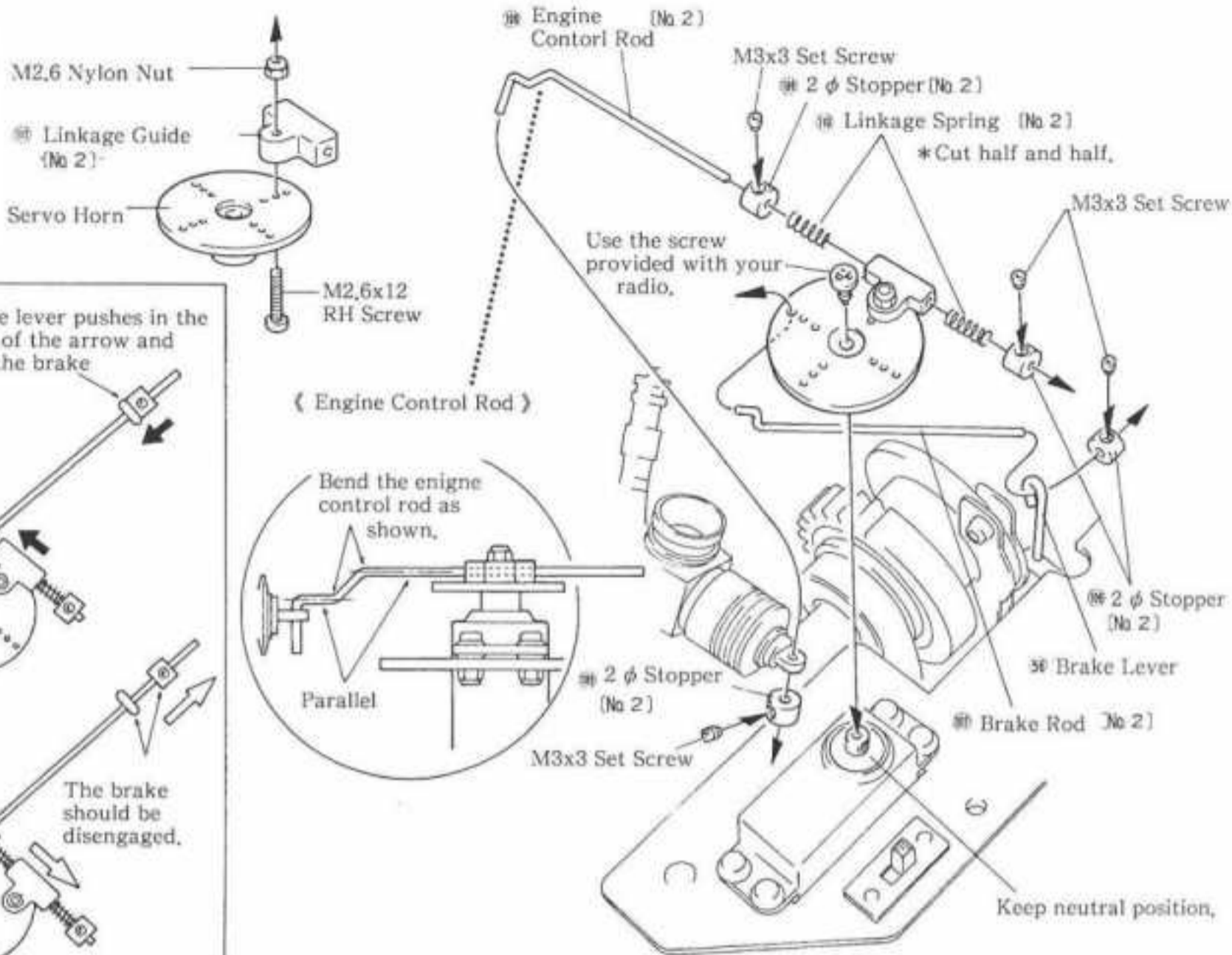
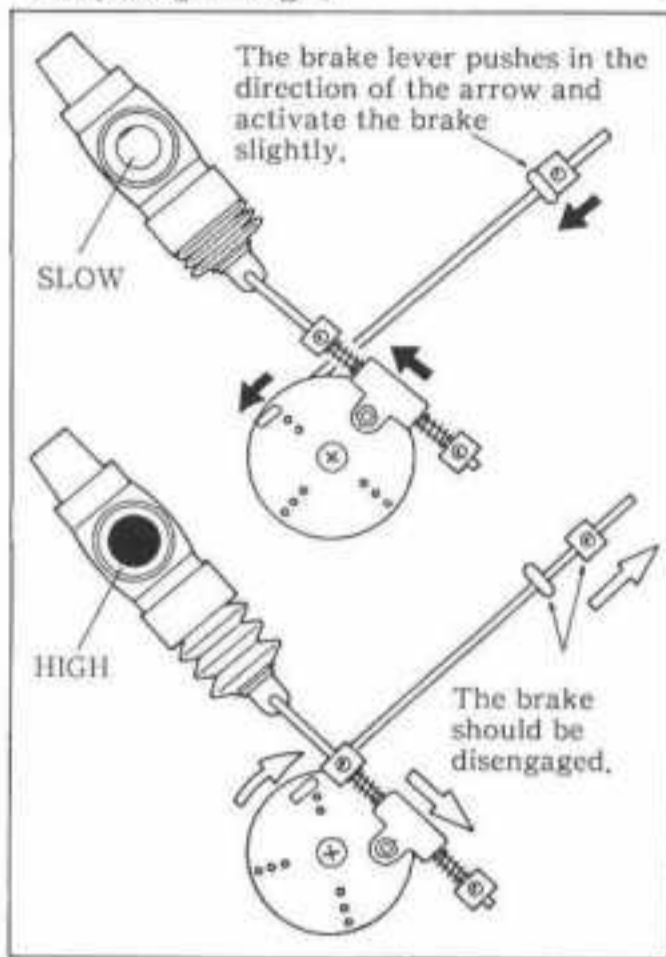


13 LINKAGE (ENGINE CONTROL & BRAKE)

(In case of using normal servo)

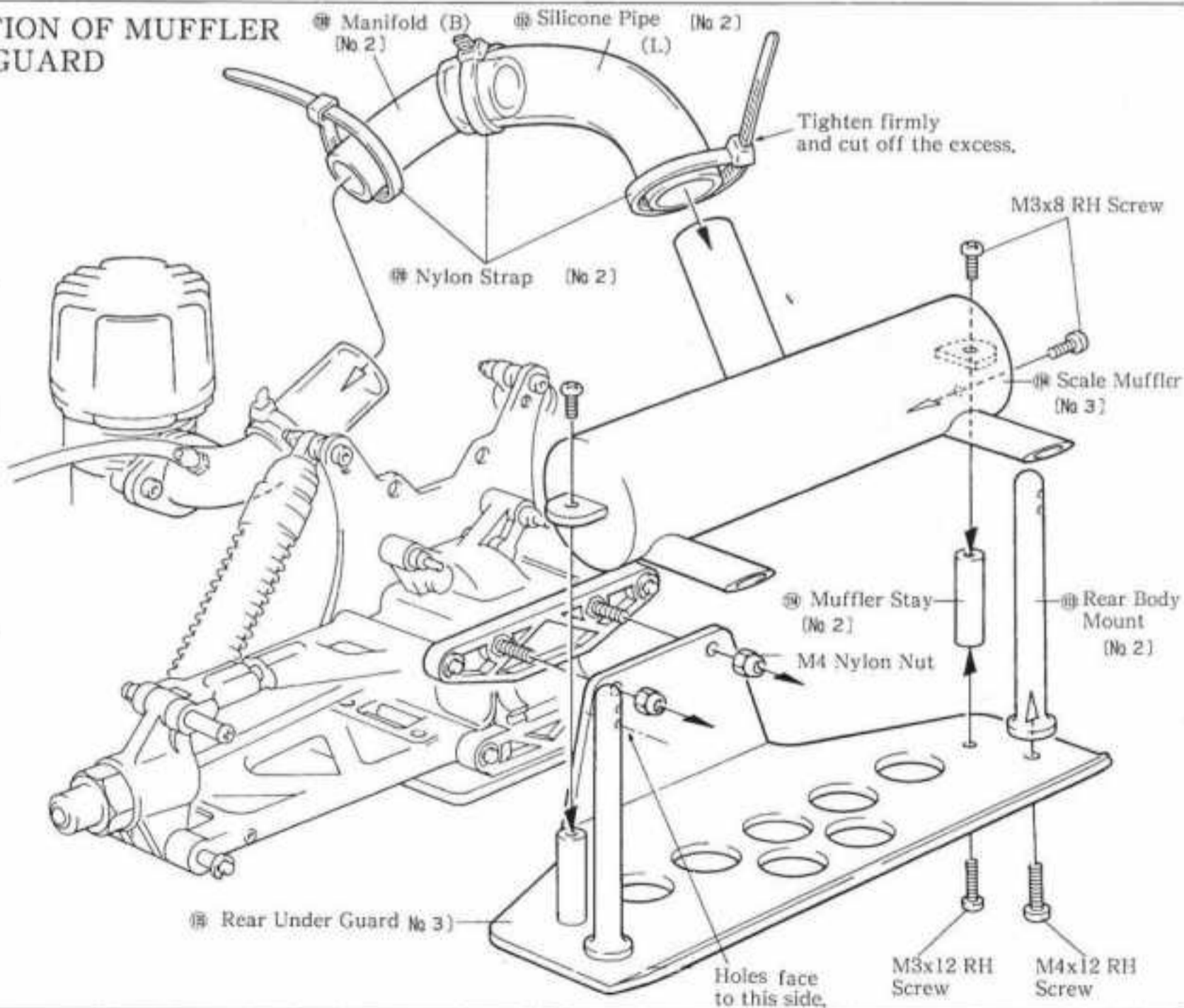
- M2,6x12 RH Screw.....1
- M2,6 Nylon Nut1
- M3x3 Set Screw.....4

(Adjusting Linkage)



14 INSTALLATION OF MUFFLER & UNDER GUARD

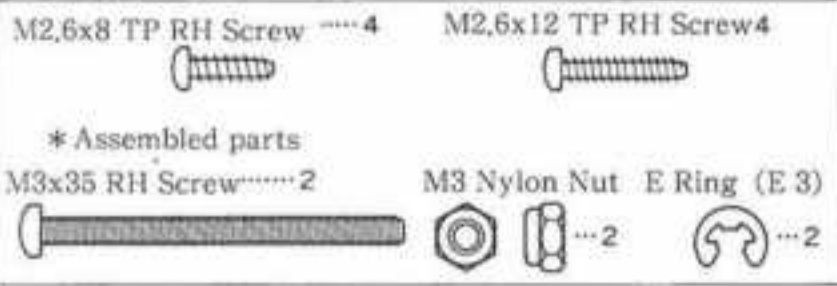
- M3x8 RH Screw 3
- M3x12 RH Screw..... 2
- M4x12 RH Screw..... 2
- M4 Nylon Nut 2



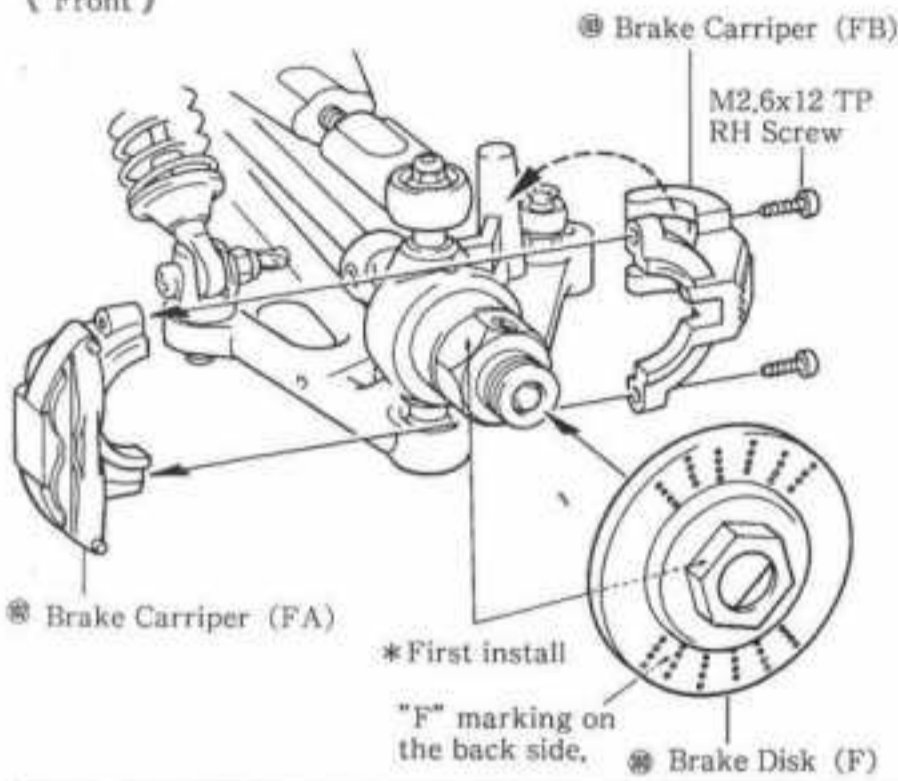
15 ASSEMBLY OF DISK BRAKE

* These parts used in this step are in bag [NO.1].
(Screws are in bag [NO.5])

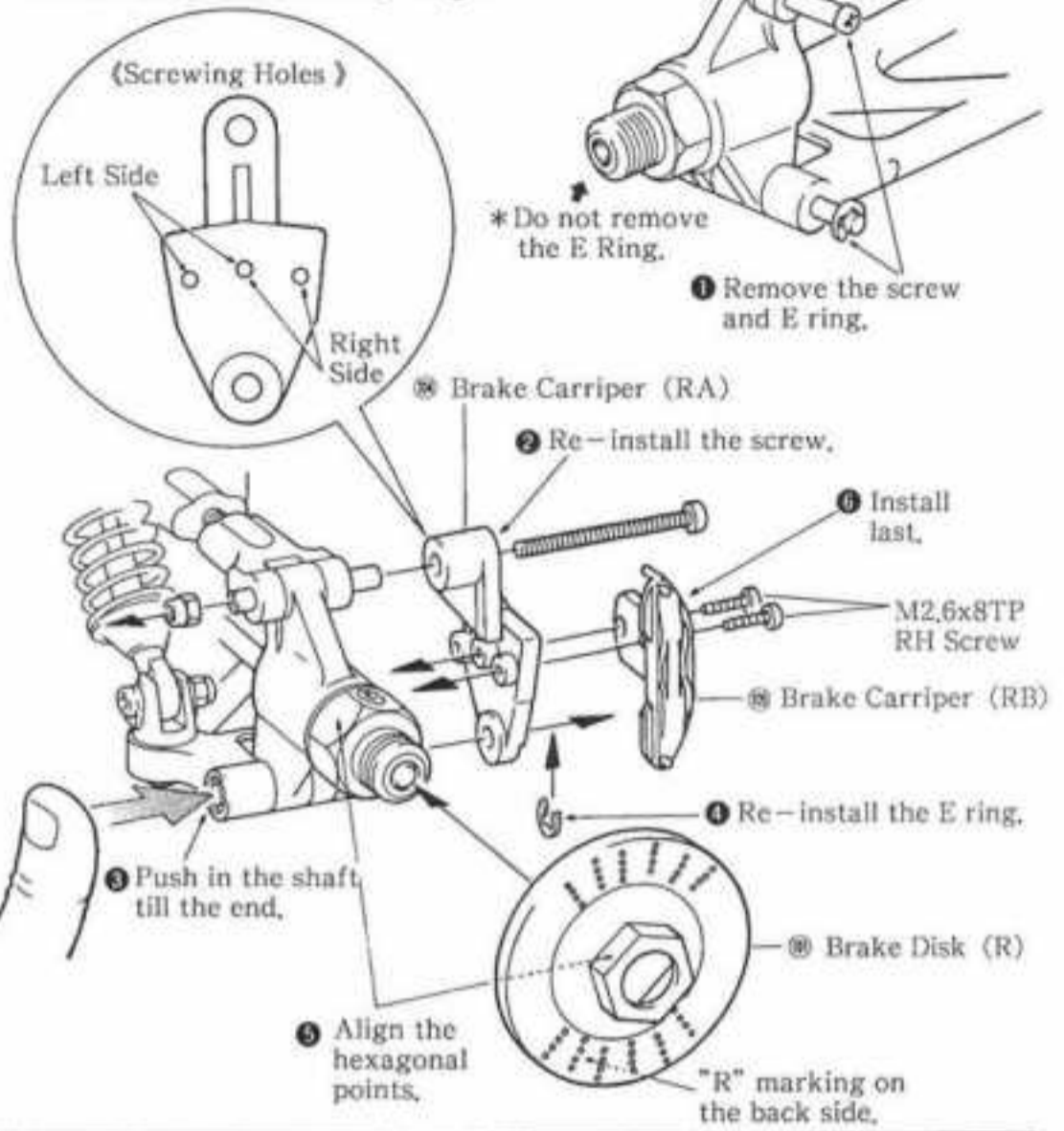
Assemble the right side same as the left.



(Front)

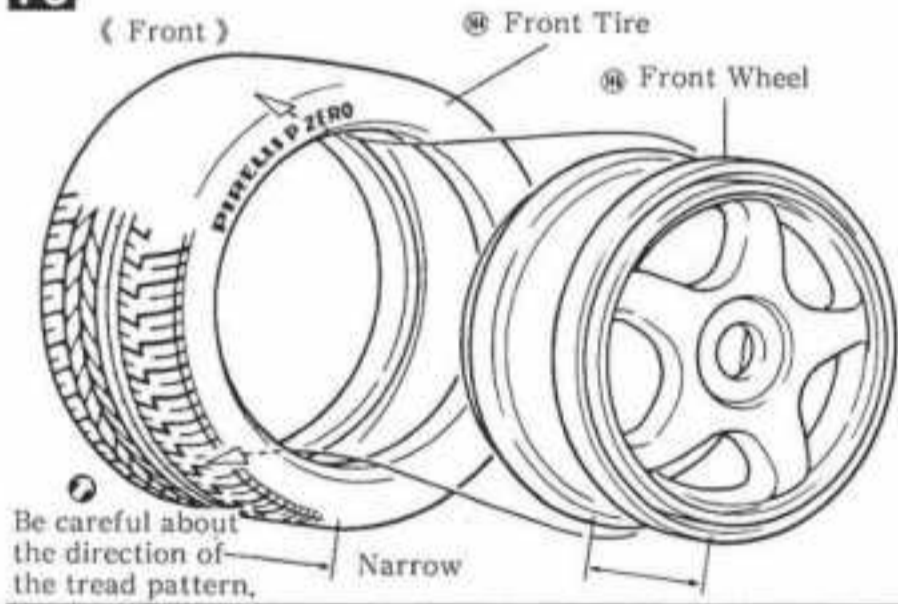


* Assemble in order from ① to ⑥ .

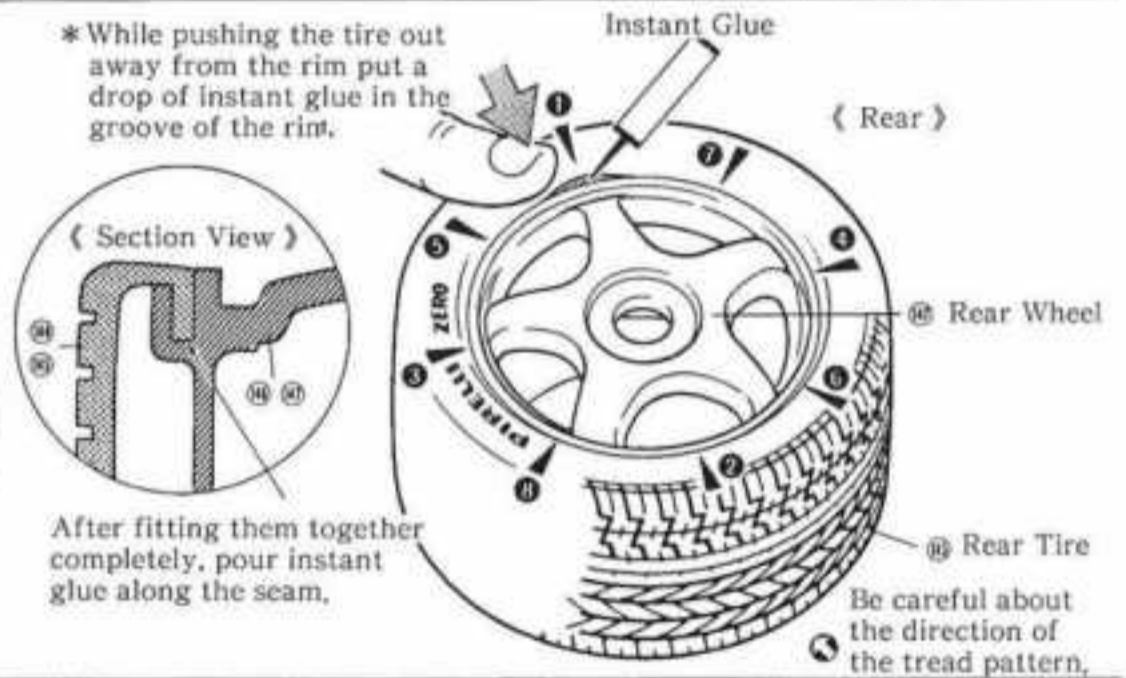


16 ASSEMBLY OF TIRE AND WHEEL

(Front)

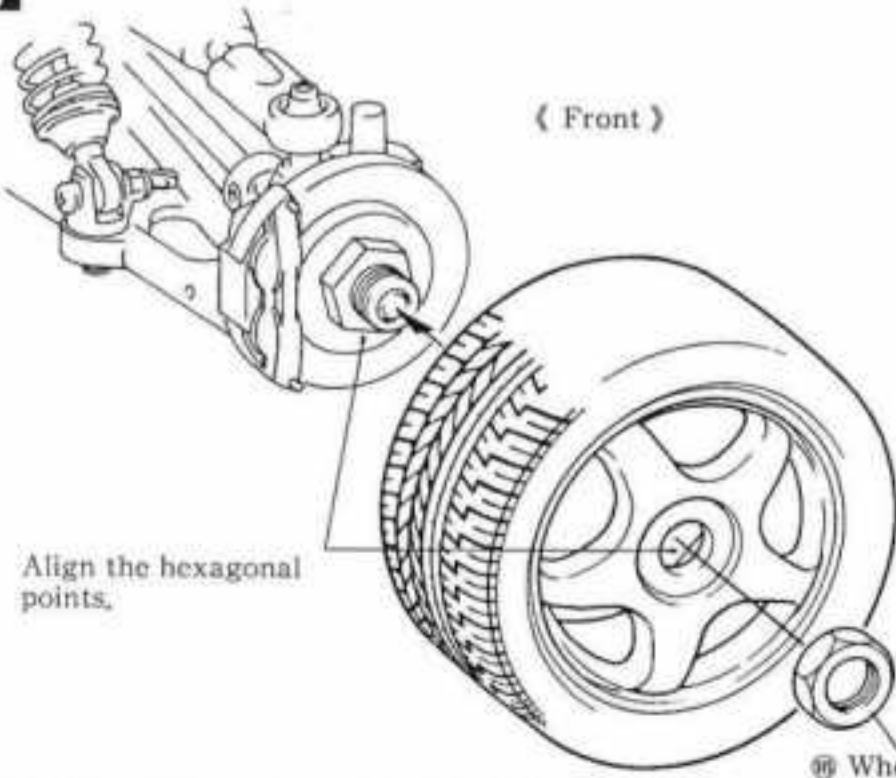


* While pushing the tire out away from the rim put a drop of instant glue in the groove of the rim.

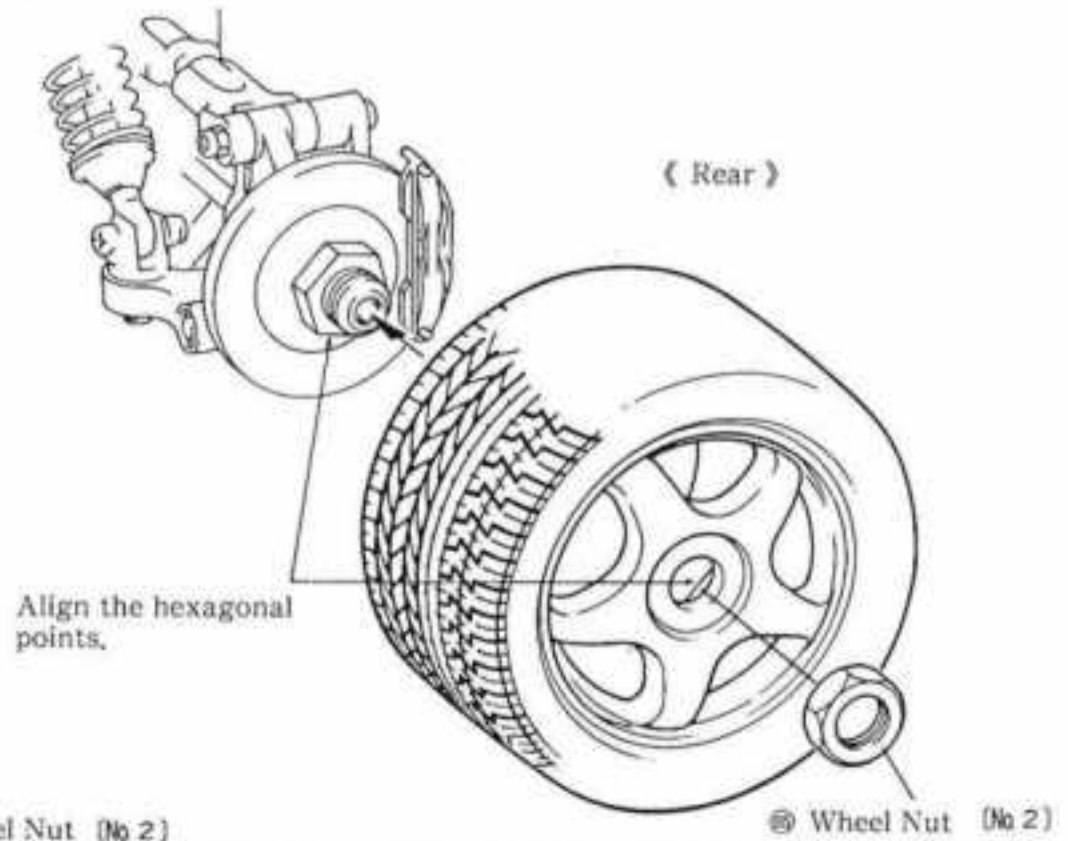


17 INSTALLATION OF WHEEL

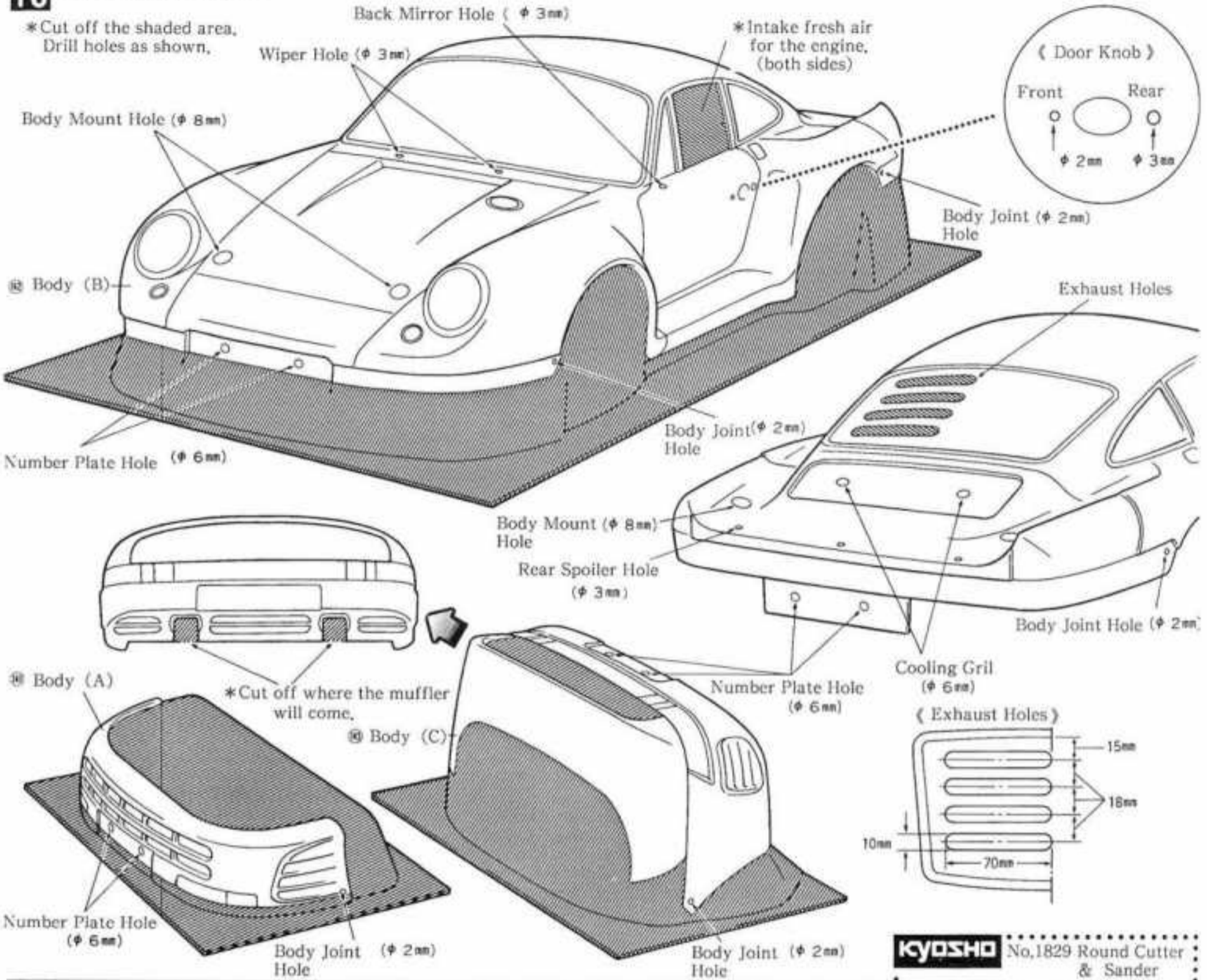
(Front)



(Rear)

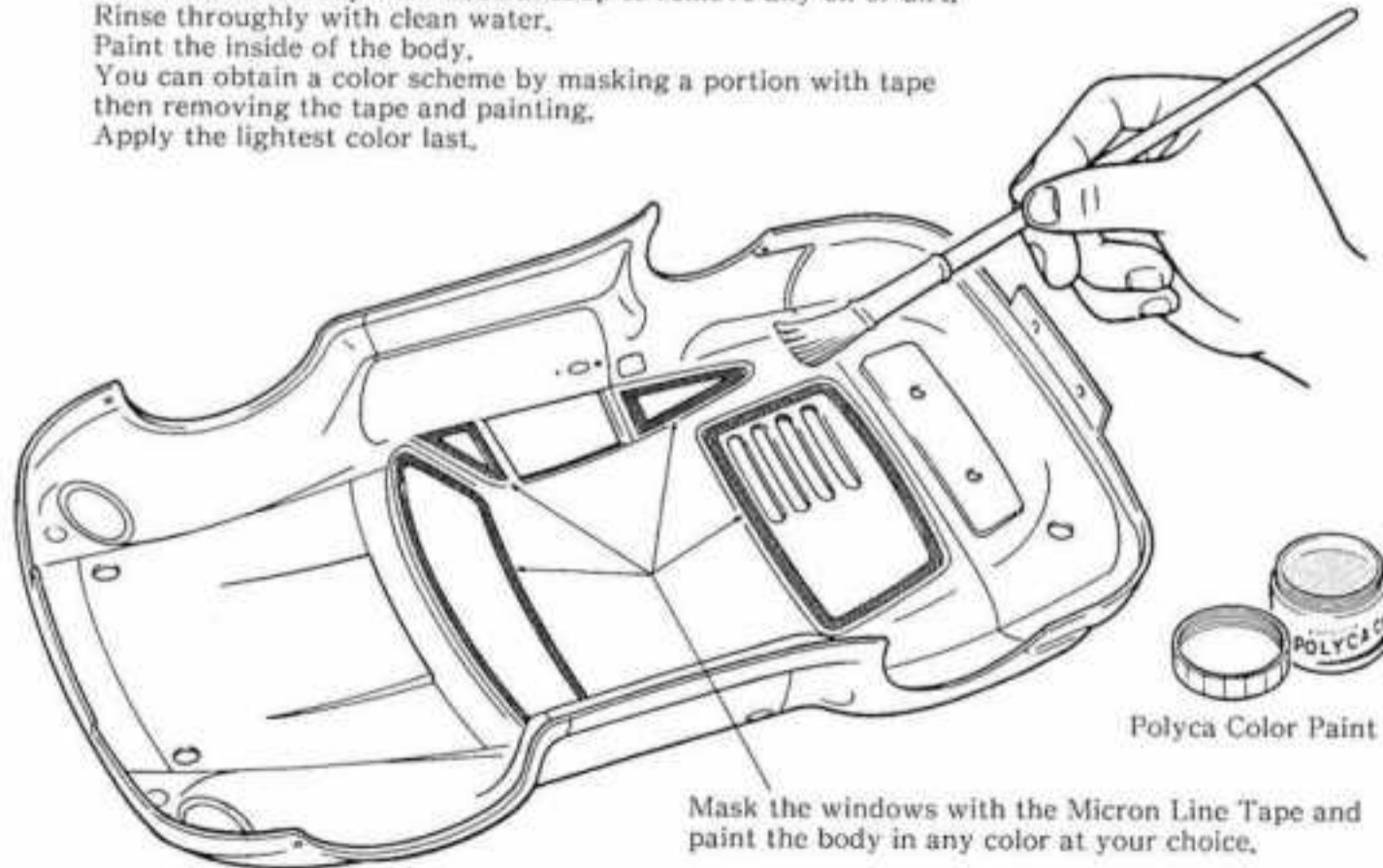


18 CUTTING BODY



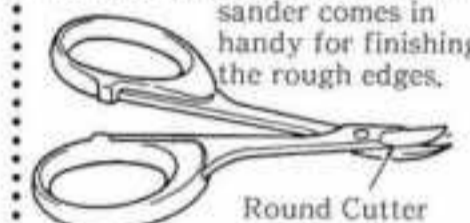
19 PAINTING

First wash the body with neutral soap to remove any oil or dirt. Rinse thoroughly with clean water. Paint the inside of the body. You can obtain a color scheme by masking a portion with tape then removing the tape and painting. Apply the lightest color last.



KYASHO No.1829 Round Cutter & Sander

These special Lexan Scissors make trimming bodies a breeze and the sander comes in handy for finishing the rough edges.



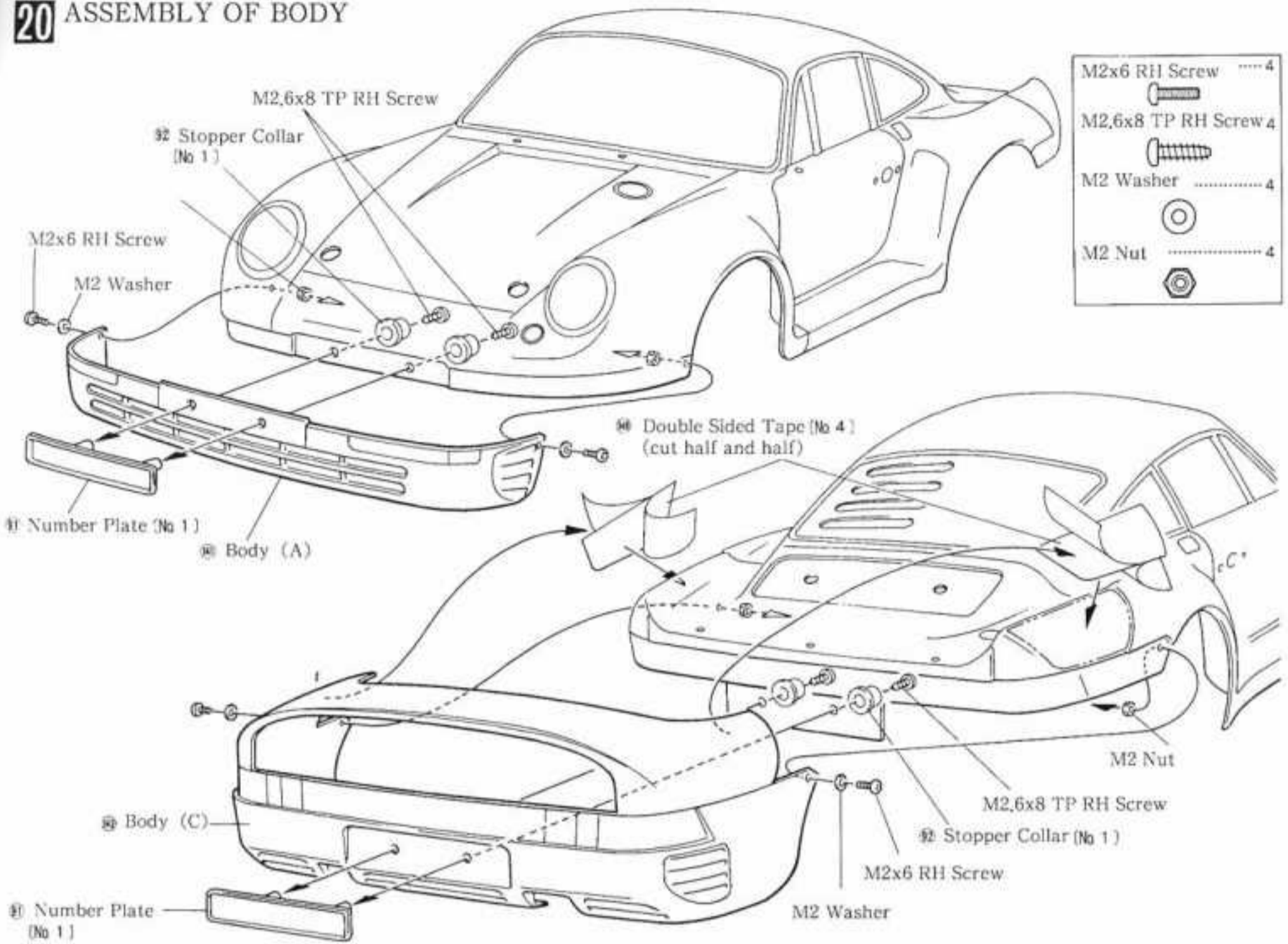
KYASHO No.2230
 Polyca Color Paint
 White, Red, Yellow
 Green, Blue, Skyblue
 Orange, Black, Violet
 F,Pink, F,Orange, and Yellow Green



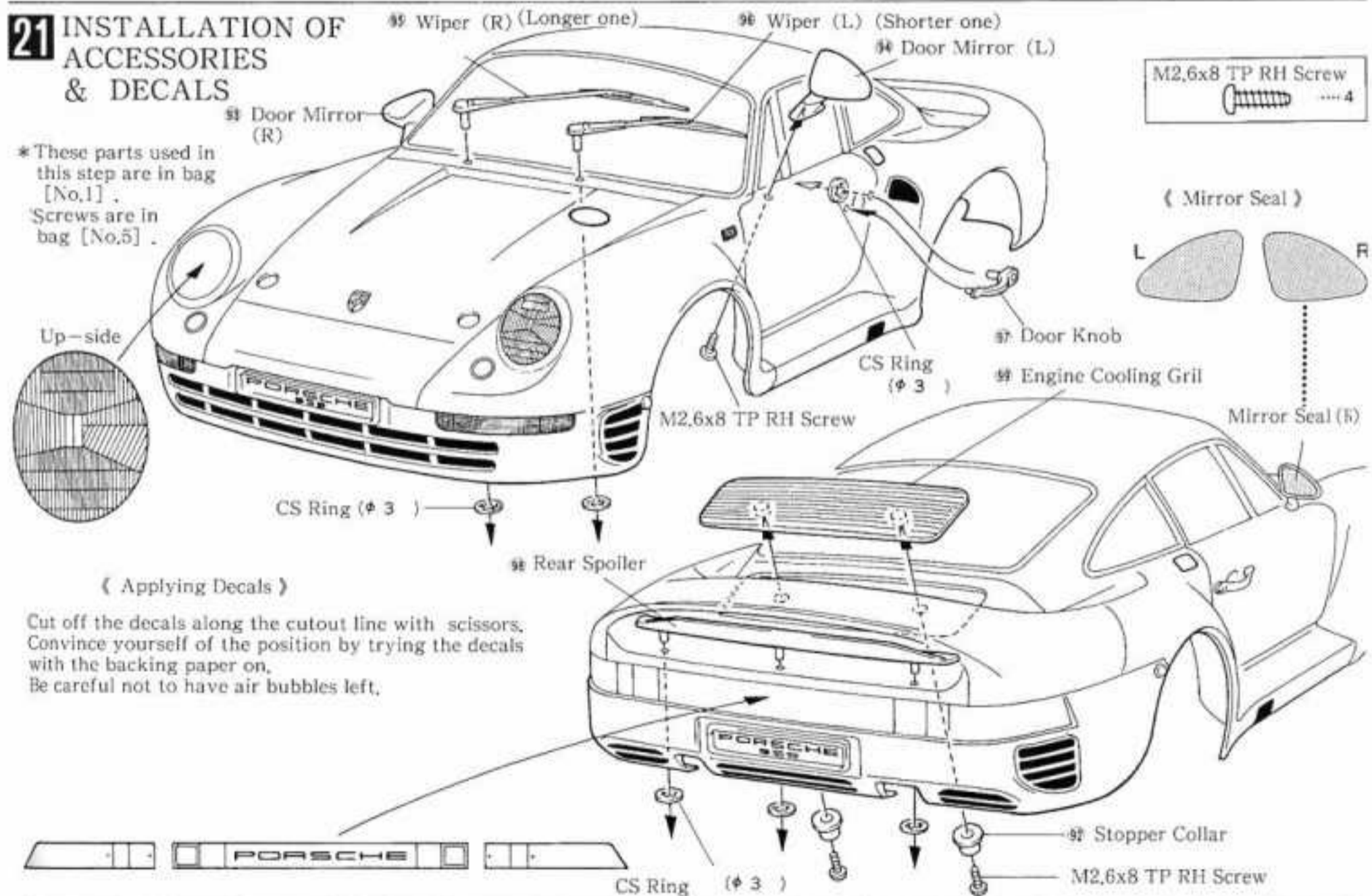
KYASHO
 Micron Line Tape
 No.1841...1mm
 No.1842...1.5mm
 No.1843...2.5mm
 White, Red, Yellow
 Green, Blue, and Black



20 ASSEMBLY OF BODY



21 INSTALLATION OF ACCESSORIES & DECALS

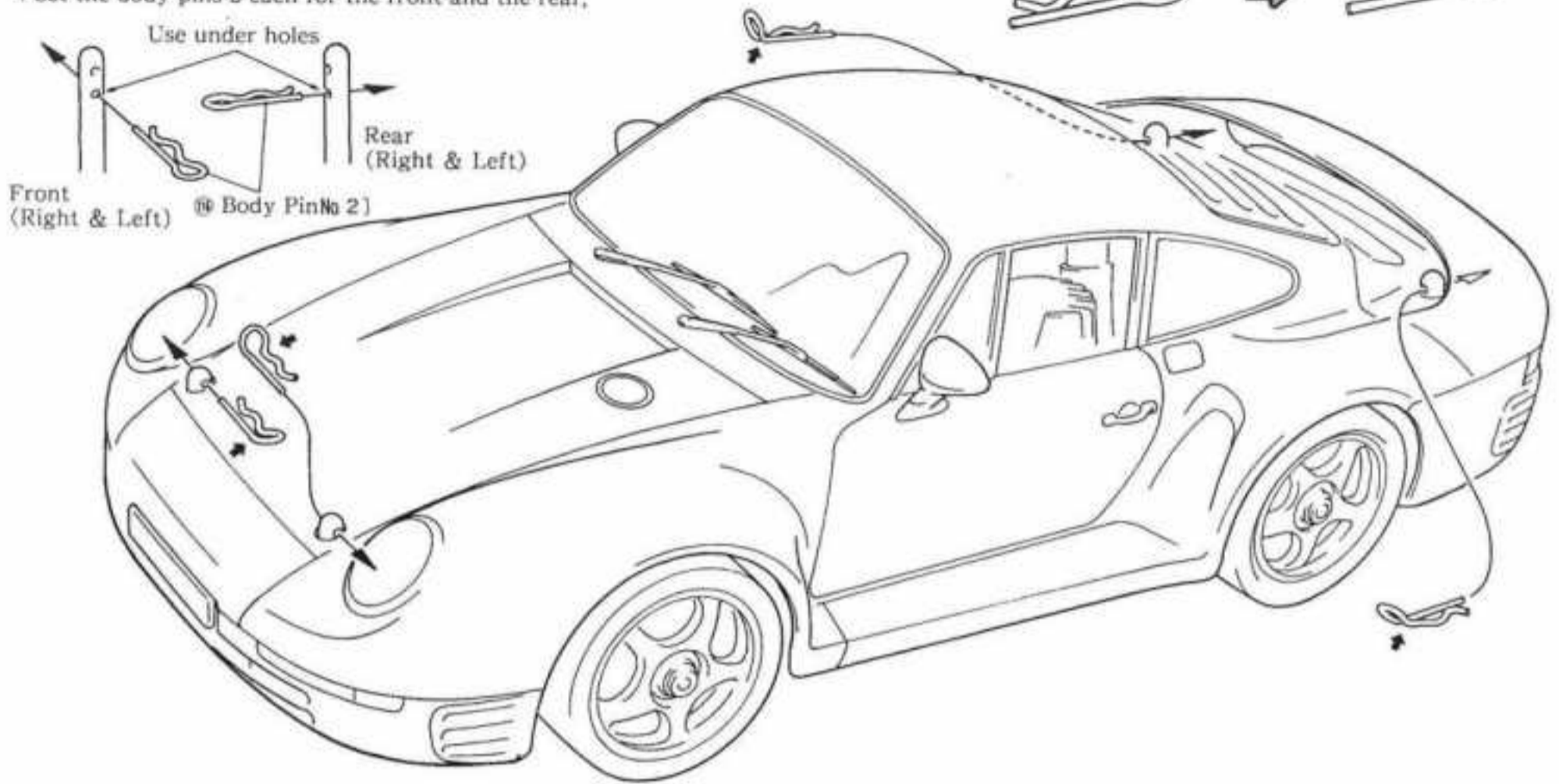
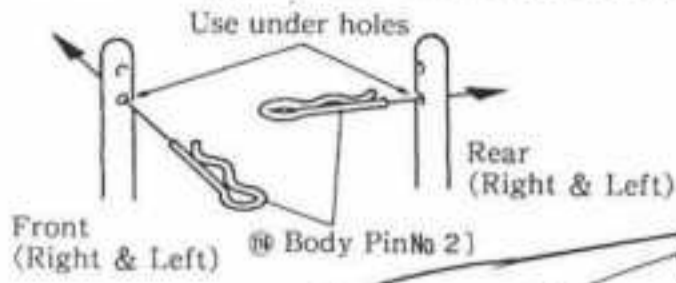


22 MOUNTING BODY

*By bending the body pins you can take off them from the mounts easily.

《 Before installing body 》

*Set the body pins 2 each for the front and the rear,

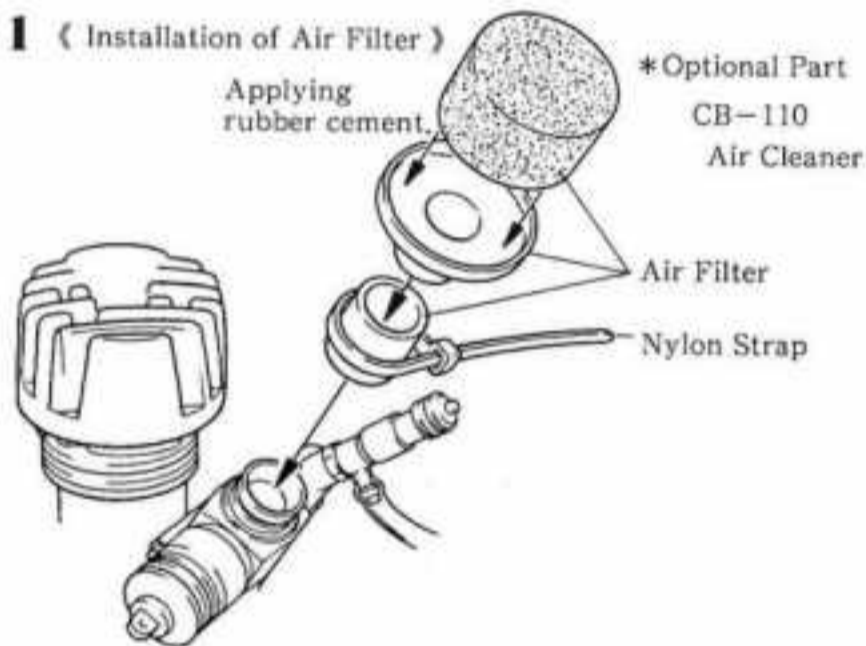


23 STARTING THE ENGINE

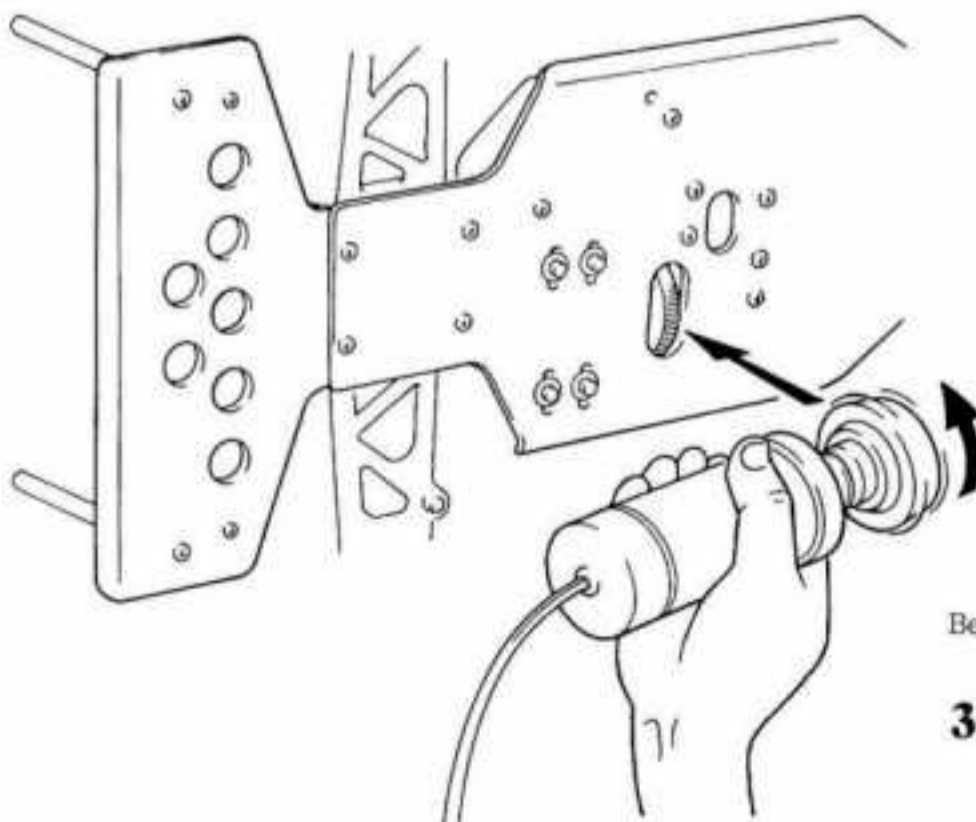
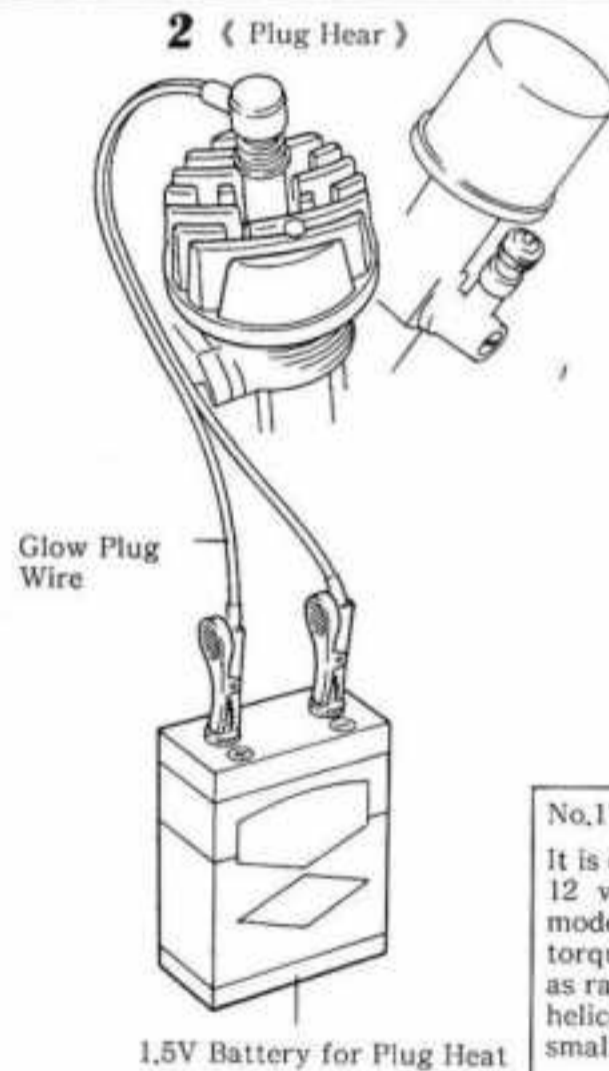
1 《 Installation of Air Filter 》

Applying rubber cement.

*Optional Part
CB-110
Air Cleaner



2 《 Plug Heat 》



Be careful about the rotating direction.

3 Spin the flywheel with the starter.

No.1791 Blitz Starter

It is equipped with a high power 12 volt DC motor. It powers your model with fast rotation and high torque. It will start all models such as racing and buggy cars, air planes, helicopters, and boats mounted with small to large sized engines.

No. BZ-1
Starter Rubber Ring

1791
Blitz Starter

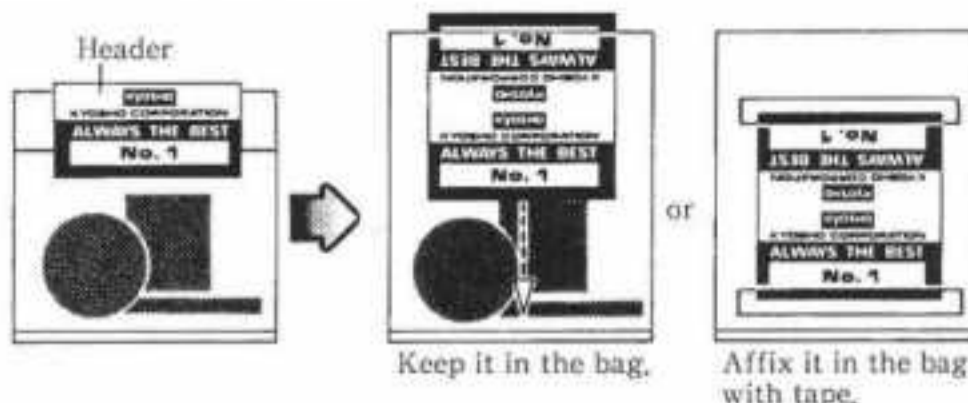
*BZ-1 Starter Rubber Ring (car)
...optional part

BAGGED PARTS LIST (1)



《 Do not throw away a bag header 》

- The symbol in the brackets after a name of parts in this instruction is the header number in which the part is contained.
- The header is the only thing to rely upon when looking for a part.
Do not discard it until you finish the assembly.



Key Number Parts with "●" are assembled.

Bag No.	Key #	Part Name	Q'ty	Step
BOX	● 1	Diff, Case (A)	3	
	● 2	Diff, Pinion Shaft	12	
	● 3	Diff, Drive Pinion	6	
	● 4	Diff, Case (B)	3	
	● 5	Diff, Pinion	12	
	● 6	Diff, Ring Gear	2	
	● 7	7 φ x19 Ball Bearing	6	
	● 8	Joint	8	
	● 9	6 φ x13 Ball Bearing	4	
	● 10	Gear Box (A)	2	
	● 11	Drive Bevel Pinion	2	
	● 12	Gear Box (B)	2	
	● 13	Front Sus, Holder	1	
	● 14	Front Shock Stay	1	
	● 15	Front Lower Sus, Arm	2	
	● 16	Shock Holder	4	
	● 17	Front Upper Sus, Arm	2	
	● 18	10 φ Ball End	2	
	● 19	10 φ Ball	4	
	● 20	4 φ x68 Shaft	4	
	● 21	4 φ x45 Shaft	4	
	● 22	Knuckle Arm	2	
	● 23	6 φ x13 Metal Bushing	8	
	● 24	5.5 φ Ball Joint (L)	2	
	● 25	Universal Joint	2	
	● 26	Fuel Tank	1	
	● 27	Half Shaft	2	1
	● 28	Front Wheel Hub	2	
	● 29	Servo Saver Shaft (A)	1	
	● 30	* (B)	1	
	● 31	Front Shock Case	2	
	● 32	Rear Shock Case	2	
	● 33	Shock O Ring (S)	8	
	● 34	Shock Plastic Washer	8	
	● 35	Shock C Ring	4	
	● 36	Front Shock Shaft	2	
	● 37	Rear Shock Shaft	2	
	● 38	Shock Piston	4	
	● 39	Shock Ball End	4	
	● 40	6 φ Ball	4	
	● 41	Pressure Top	4	
	● 42	Shock Top	4	
	● 43	Spring Stopper	4	
	● 44	Spring Holder	4	
	● 45	Servo Saver Collar (A)	1	
	● 46	* (B)	1	
	● 47	Servo Saver (A)	1	
	● 48	* (B)	1	

Bag No.	Key #	Part Name	Q'ty	Step	
BOX	● 49	Servo Saver (C)	1		
	● 50	Servo Saver Joint	1		
	● 51	3 φ Stopper	2		
	● 52	Tie Rod End	4		
	● 53	Center Diff, Mount (A)	1		
	● 54	Brake Cam	1		
	● 55	Brake Cam Holder	1		
	● 56	Brake Lever	1		
	● 57	Brake Pad	2		
	● 58	Brake Pad Spring	2		
	● 59	Spur Gear	1		
	● 60	Disk Brake	1		
	● 61	Front Drive Shaft	1		
	● 62	Rear Sus, Holder	1		
	● 63	Rear Shock Stay	1		
	● 64	Rear Lower Sus, Arm	2		
	● 65	Rear Upper Sus, End	2		
	● 66	4 φ x52 Shaft	2		
	● 67	Rear Hub	2		
	● 68	Rear Wheel Shaft	2		
	● 69	Rear Wheel Hub	2		
	● 70	Rear Drive Shaft	1		
	● 71	Radio Plate	1		
	● 72	Radio Plate Post	5	1	
	● 73	Receiver Post	2		
	● 74	Fuel Tank Post	1		
	● 75	Spur Gear Collar	4		
	● 76	Shock O Ring (L)	4		
	● 77	Antenna Holder	1		
	● 78	Center Diff, Mount (B)	1		
	● 79	Front Spring	2		
	● 80	Rear Spring	2		
	● 81	Shock Bushing	4		
	● 82	Saver Spring	1		
	● 83	Diff, Washer	4		
	● 84	Main Chassis	1		
	● 85	Swing Shaft	2		
	● 86	Rear Upper Sus, Arm	2		
	● 87	5.5 φ Ball Joint (S)	2		
	● 88	Shock Collar (Front)	4		
	● 89	Shock Collar (Rear)	4		
	● 90	3 φ x4 Collar	2		
	No. 1	91	Number Plate	2	20
		92	Stopper Collar	6	20 21
		93	Door Mirror (R)	1	21
		94	* (L)	1	21
		95	Wiper (R)	1	21
		96	* (L)	1	21

The Super Hobby



This product is not to be sold in the United States. If you have purchased this product in the United States, please contact at Kyosho U.S.A. phone number (217) 398-3630.

PRINTED IN JAPAN

NO. 4281 ポルシェ959補足説明書

SUPPLEMENTAL INSTRUCTION PORSCHE 959

シャーシは工場完成済ですが、念のため各ネジを増締めして下さい。

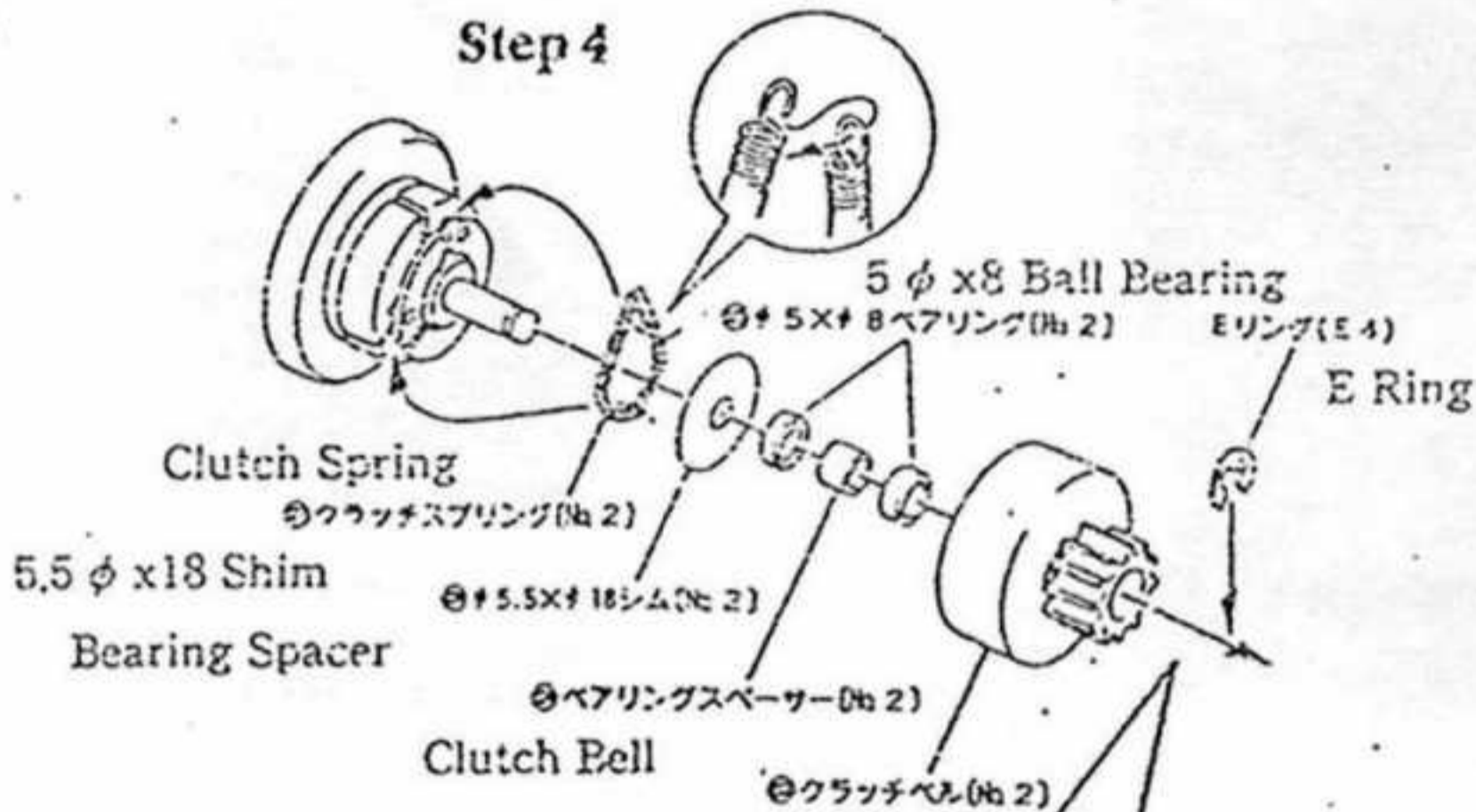
Chassis is assembled at factory but please fasten all screws tightly again.

下記の部分に誤りがあります。訂正して下さい。

There is one mistake in the instruction so please correct according to supplemental drawing.

P. 5

⑥ クラッチの組立て ASSEMBLY CLUTCH



φ 5 × φ 10 ワッシャーは使用しません。

Washer is not used.

