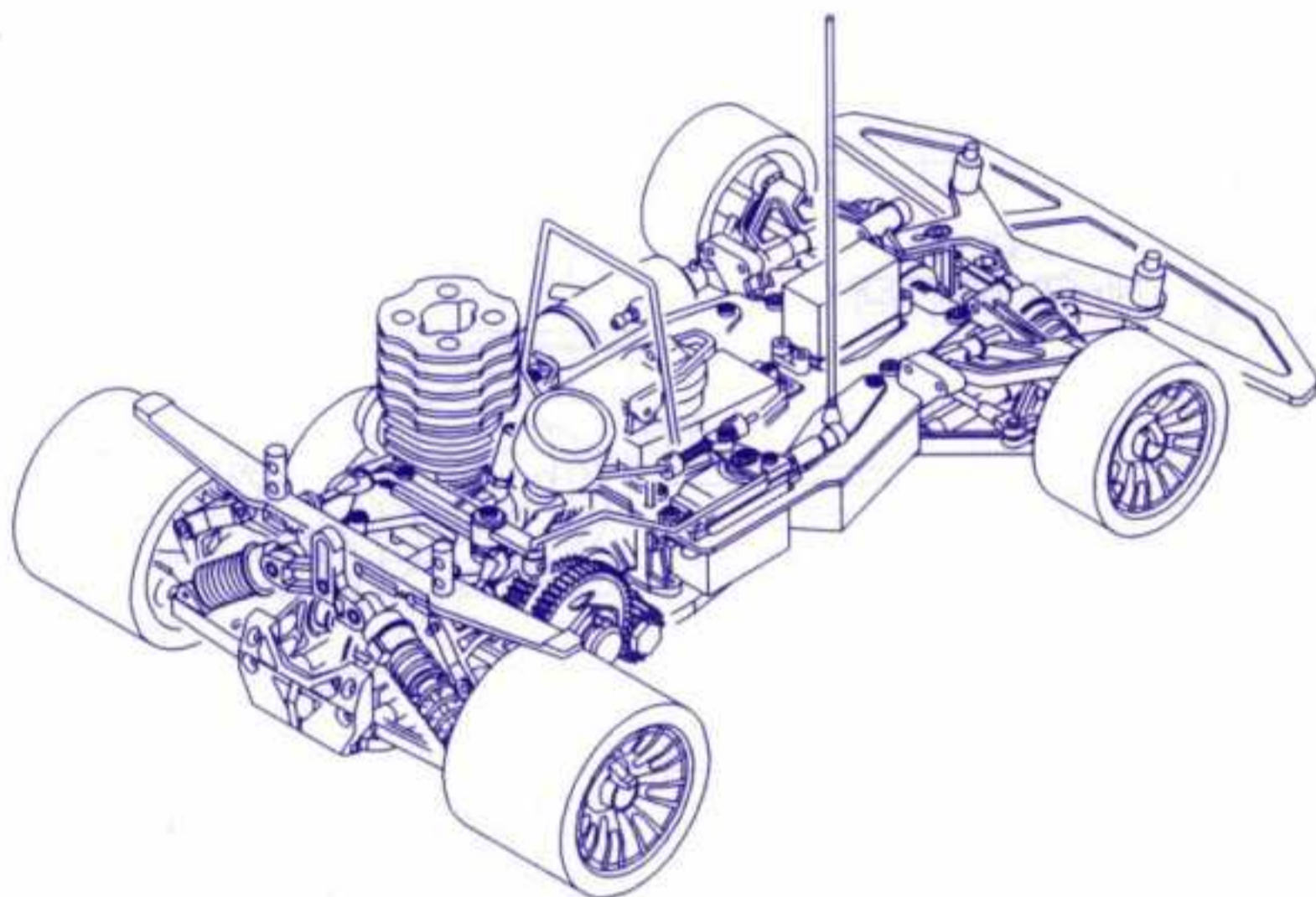


1/10 SCALE ON-ROAD GAS POWERED RACING CAR

ATTACK-MX4

INSTRUCTION MANUAL

KIT NO.1001



- AUTOMATIC 2 SPEED GEAR MISSION
- HIGH POWER CLUTCH (PRO)
- FRONT ADJUSTABLE ANTI-RPLL BAR AND REAR STABILIZER
- ONE TOUCH ON/OFF FRONT AND REAR WHEEL
- 75CC FUEL TANK FILTER-EQUIPPED
- HIGH FIDELITY ADJUSTABLE OIL DAMPER

TECHNICAL DATA

- LENGTH ----- 405MM
- WIDTH ----- 243MM
- WHEEL BASE ----- 275MM
- TREAD (F) ----- 194MM
- TREAD (R) ----- 190MM
- WHEEL DIAMETER(F) (R) ----- 54MM
- GEAR RATIO -1 ----- 6.72 : 1
- GEAR RATIO -2 ----- 5.06 : 1
- WEIGHT ----- 2150G

NEO

TEST WAY MODEL ENTERPRISE CO. LTD.
NO. 107 CHUNG SHING N STREET, SAN CHUNG CITY
TAIPEI HSIEN, TAIWAN, R.O.C
TEL:886-2-9958050 FAX:886-2-9958043

NOTICE

THE FOLLOWING ITEMS ARE NEEDED FOR COMPLETION OF THE NEO RACING CAR
THEY ARE NOT INCLUDED WITH THIS KIT, AND SHOULD BE OBTAINED FROM
YOUR LOCAL HOBBY SHOP

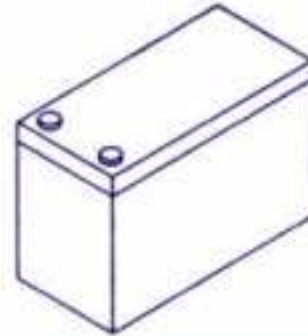
BE SURE TO READ THE INSTRUCTION MANUAL BEFORE ASSEMBLY

ADDITIONAL ITEMS NEEDED FOR COMPLETION

ADDITIONAL ITEMS NEEDED FOR STARTING ENGINE



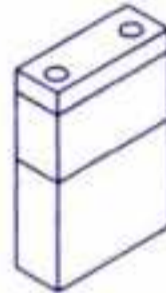
15 REAR EXHAUST
RACING ENGINE



12V BATTERY
FOR STARTER



5N 450MAH
NI-CD BATTERY



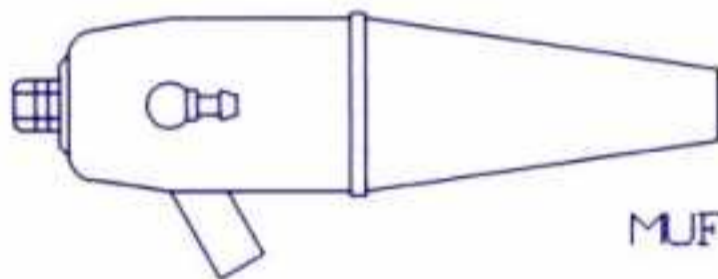
1.5V BATTERY FOR
GLOW PLUG LGNITER



EXHAUST PIPE



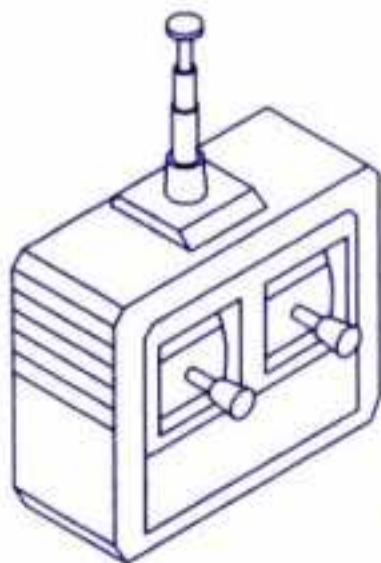
STARTER



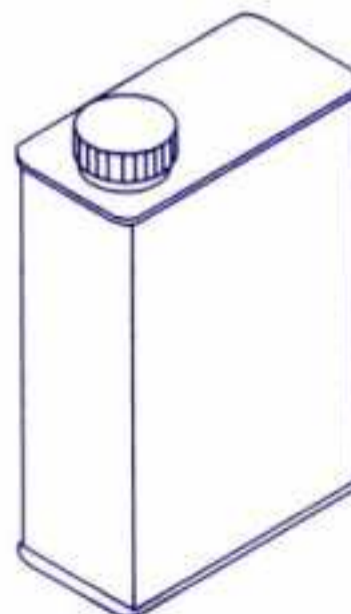
MUFFLER



GLOW PLUG LGNITER



2 CHANNEL
RADIO SYSTEM

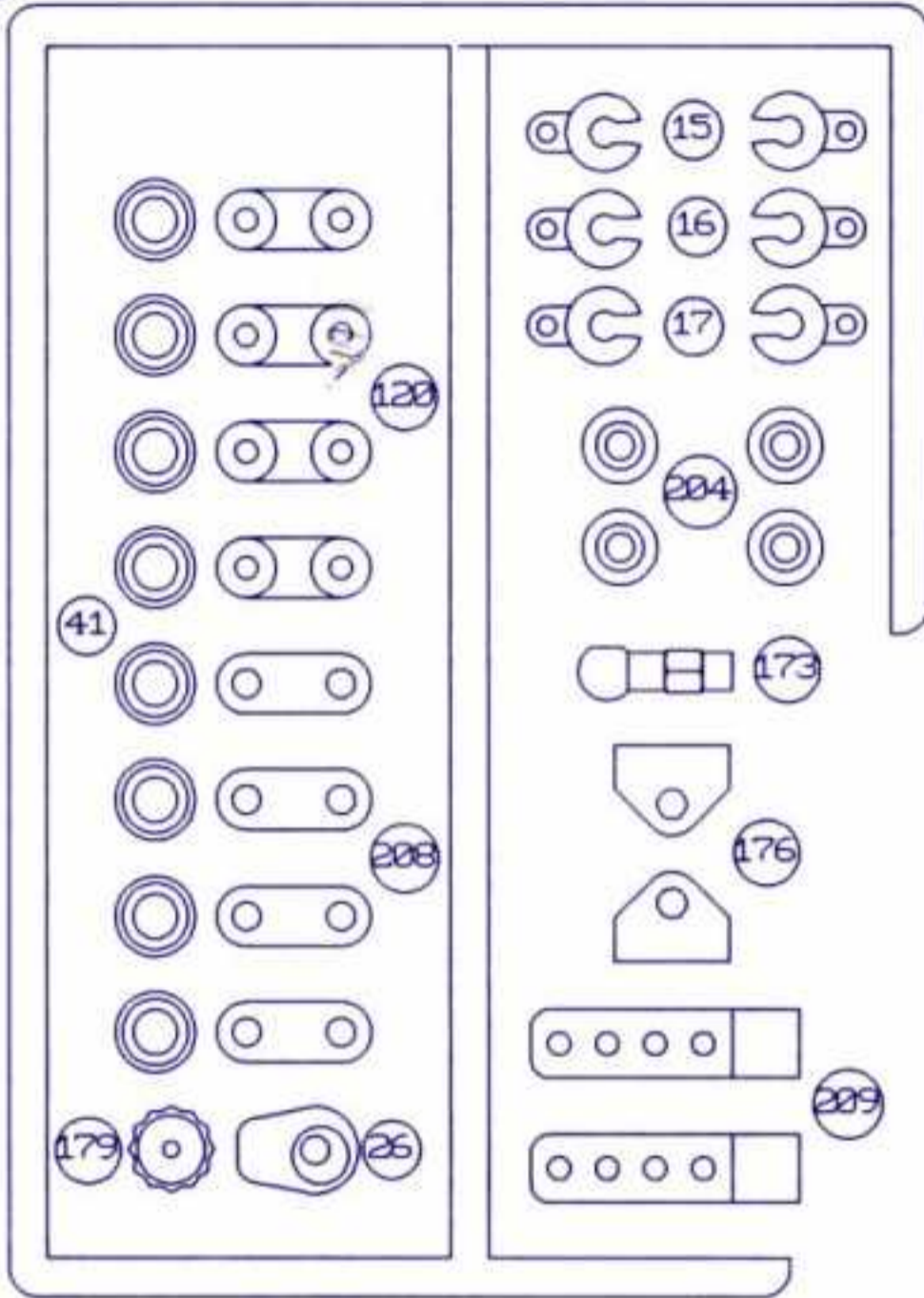


FUEL

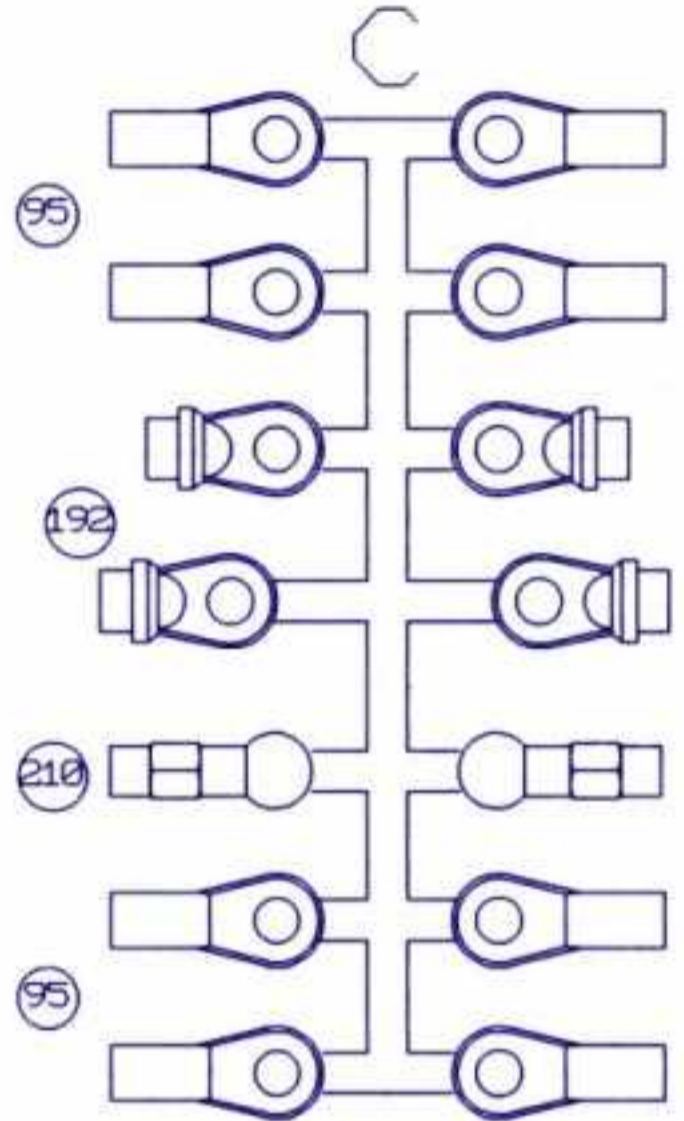


FUEL PUMP

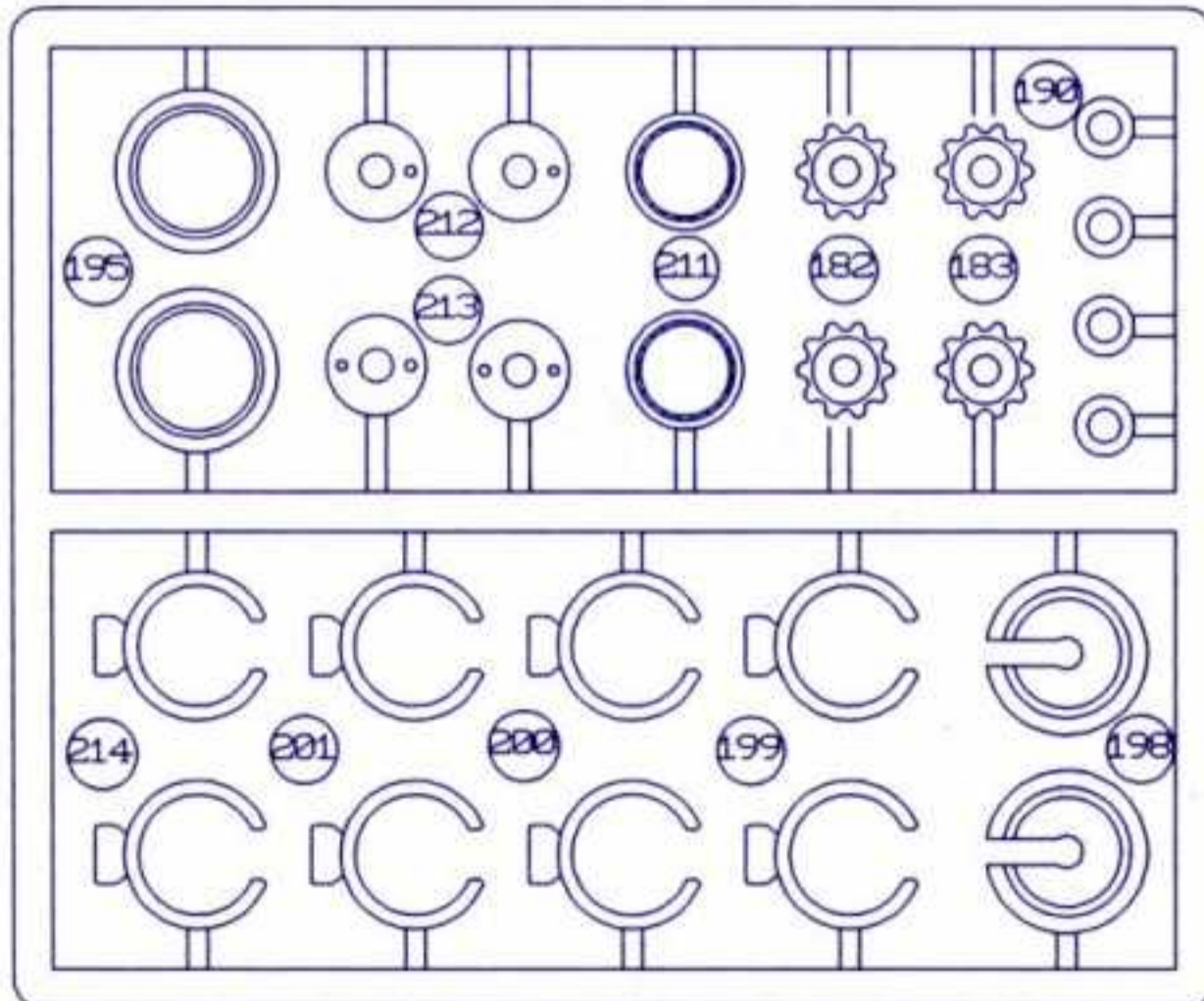
B



SMALL PARTS

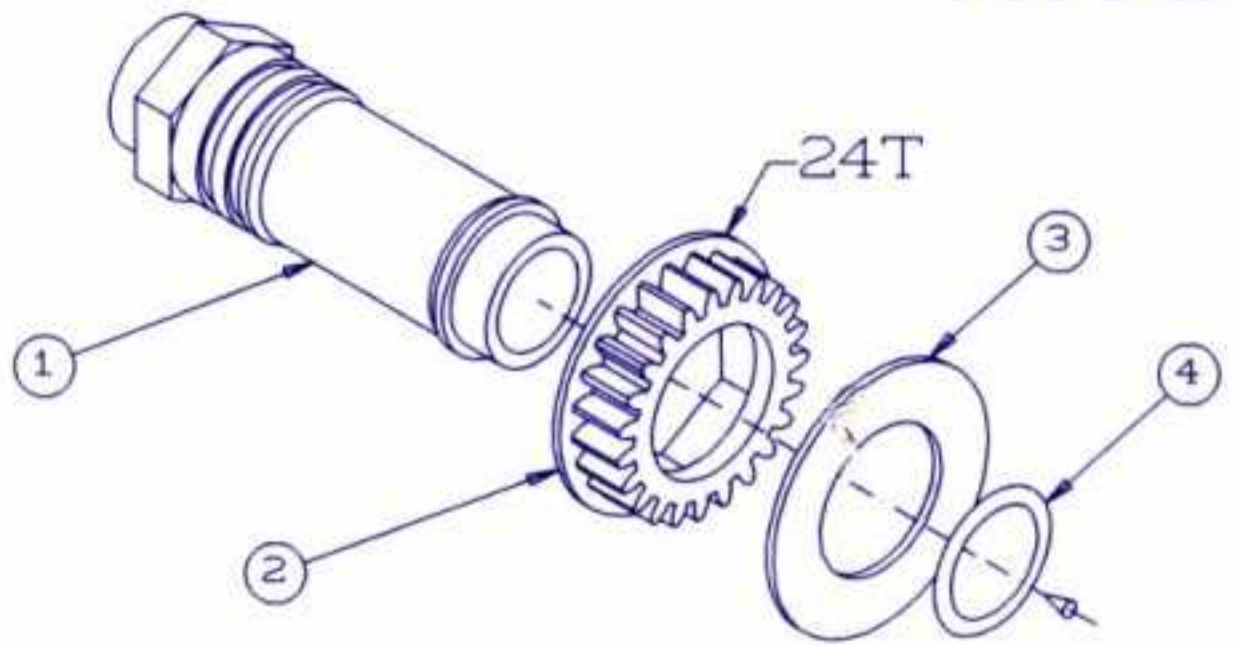
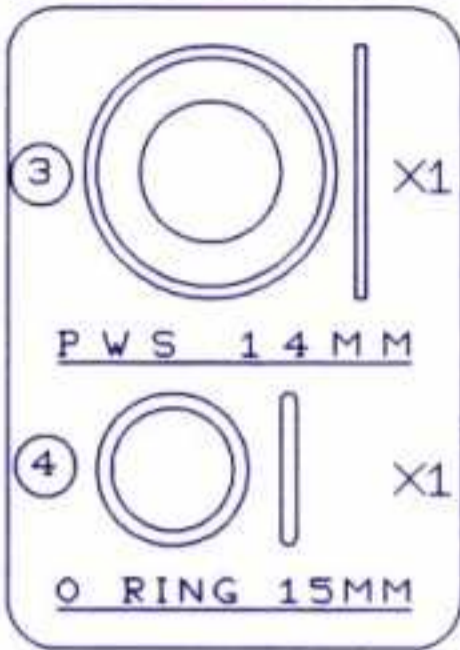


A



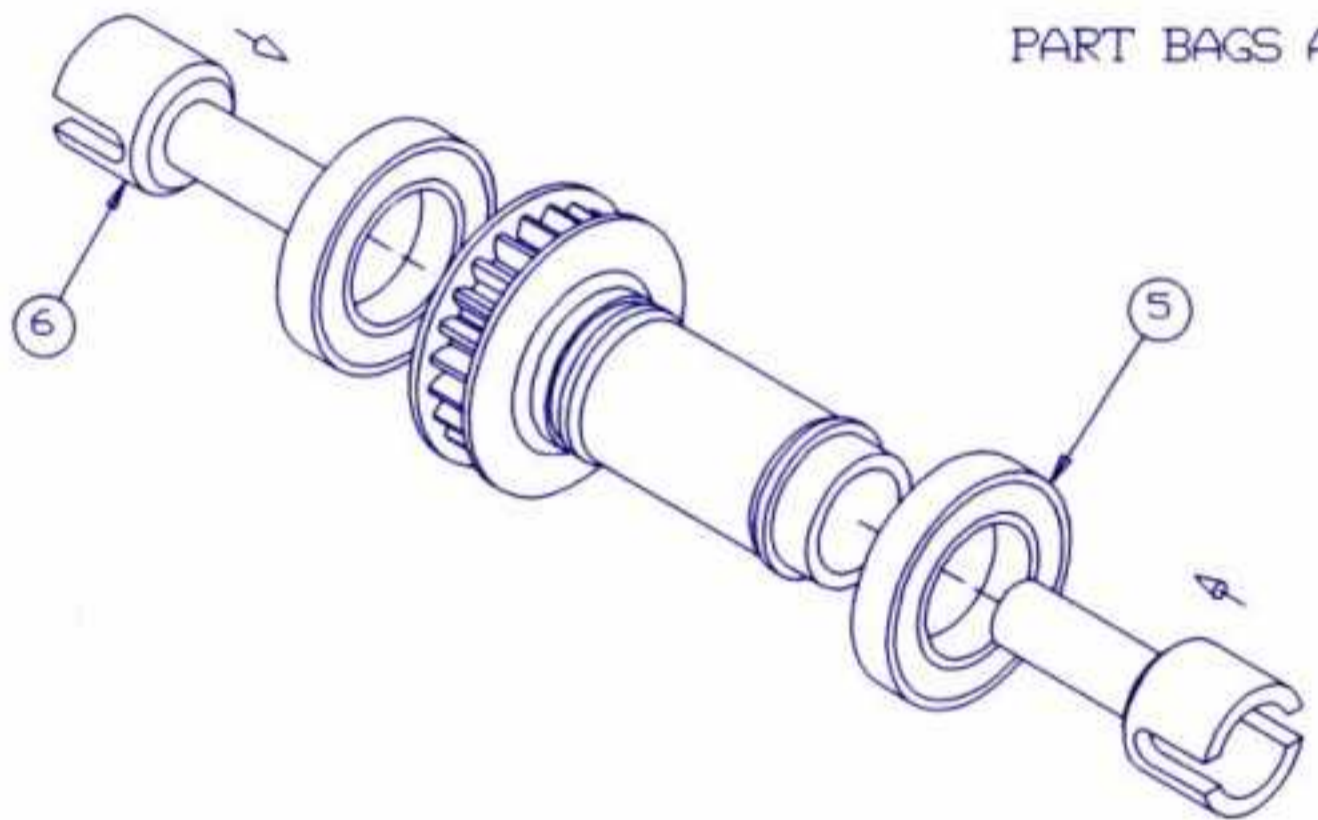
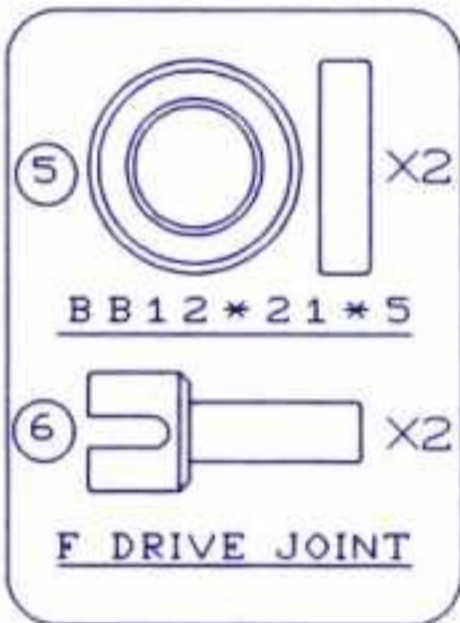
SMALL PARTS

PART BAGS A



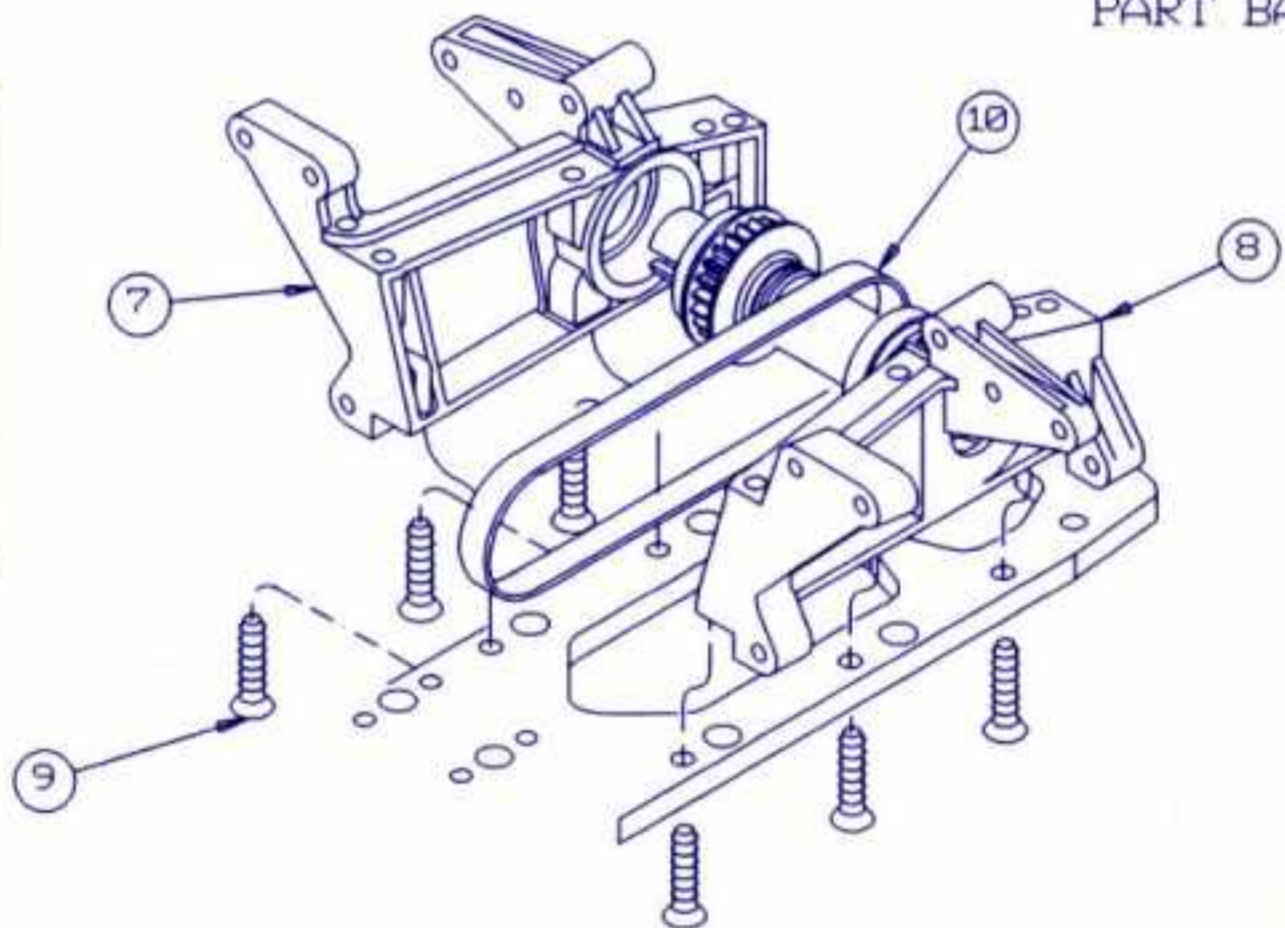
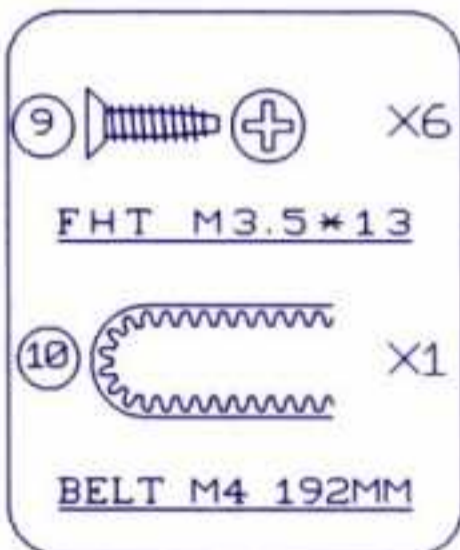
SMALL PARTS

PART BAGS A



SMALL PARTS

PART BAGS A



SMALL PARTS

18   X4

SCB M4*4

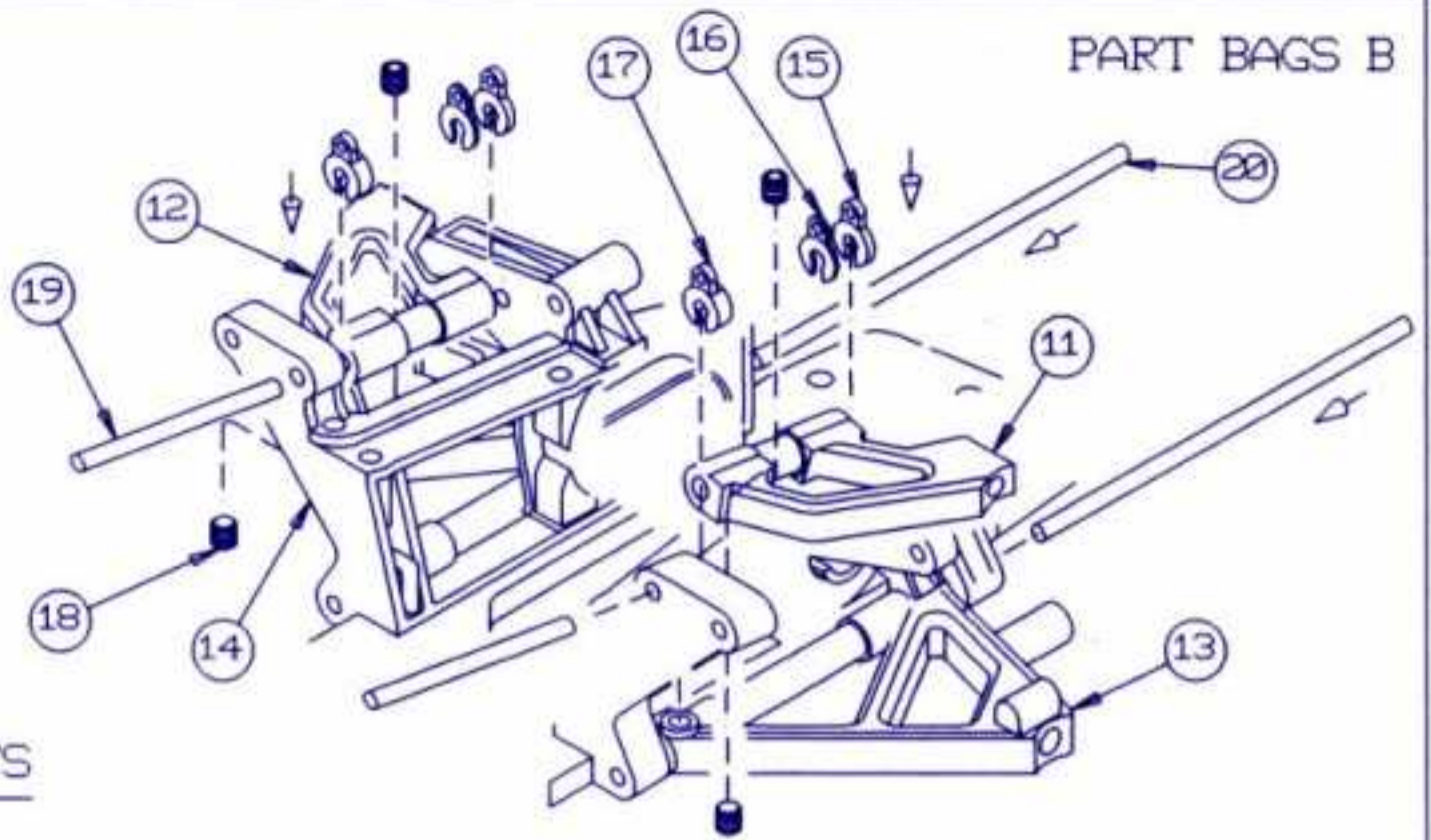
19  X2

FUS 64MM

20  X2

FDS 87MM

15 16 17 (B) PARTS



PART BAGS B

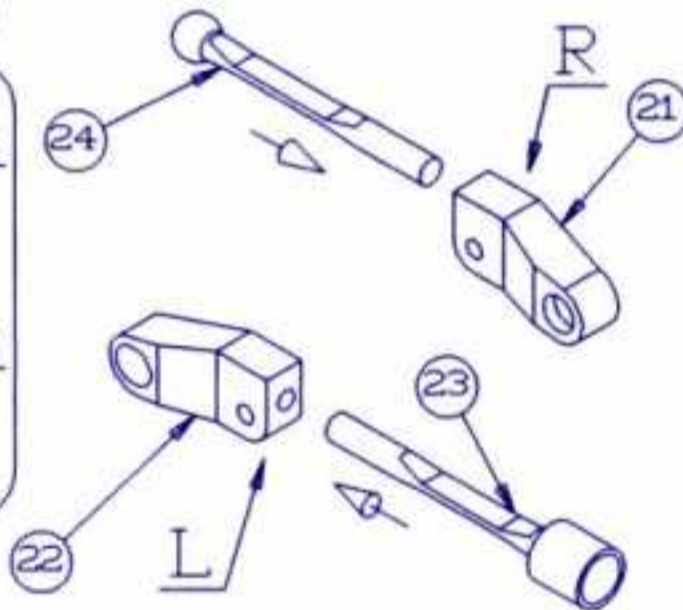
SMALL PARTS

23  X1

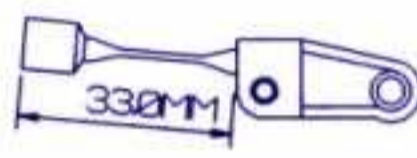
F ANTIROLL BAR L

24  X1

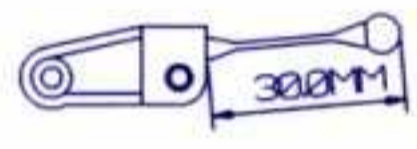
F ANTIROLL BAR R



PART BAGS B



SOFT



HARD


SMALL PARTS

27   X1

RHT M3*12

28   X1

RHT M3*15

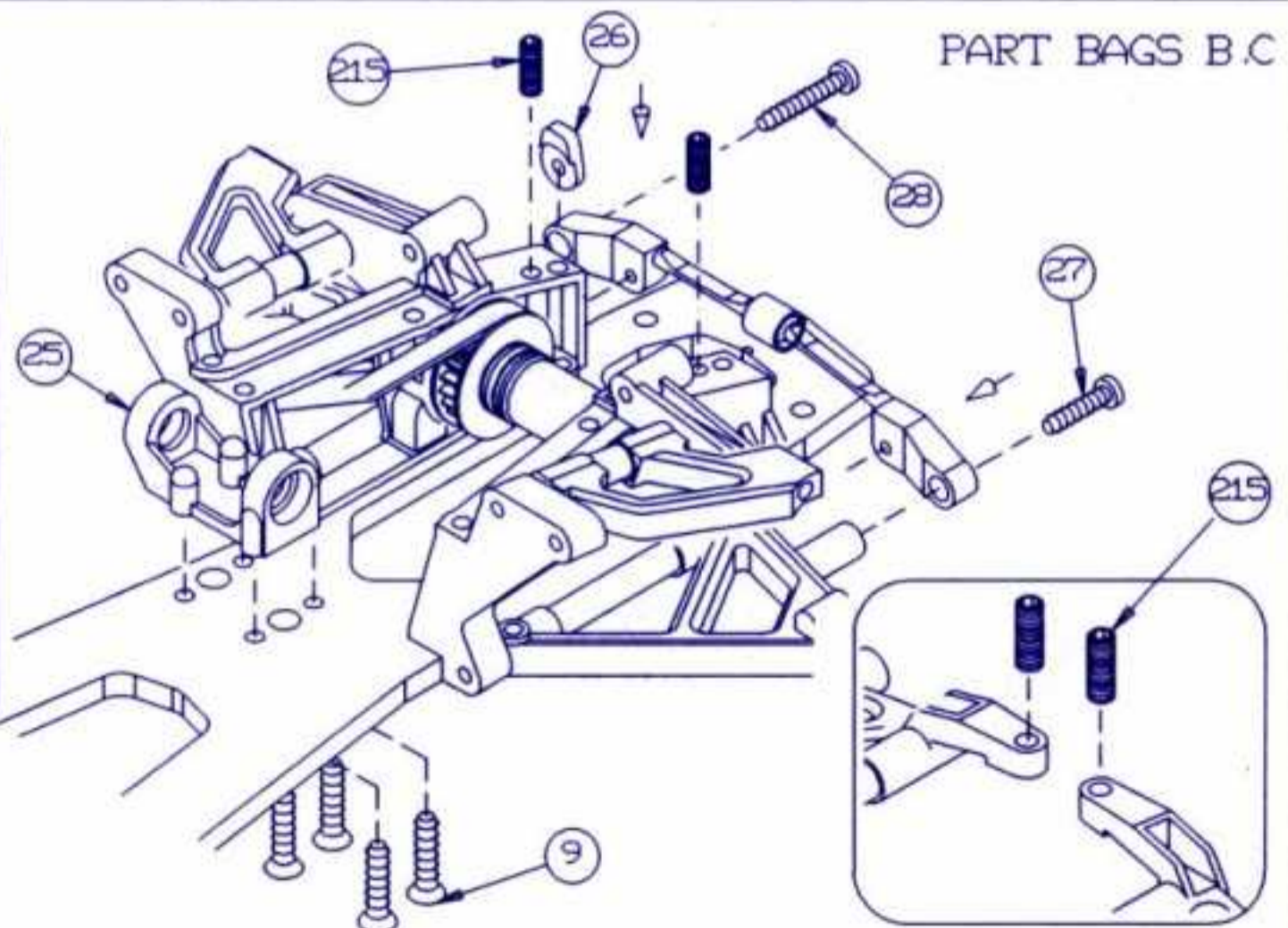
9   X4

FHT M3.5*13

215   X4

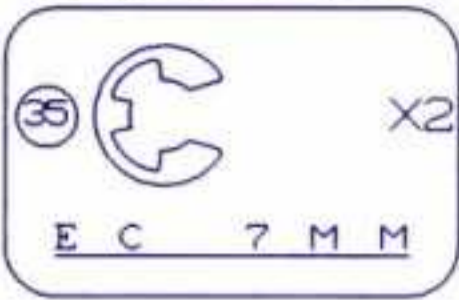
scb m4*10

26 (B) PARTS

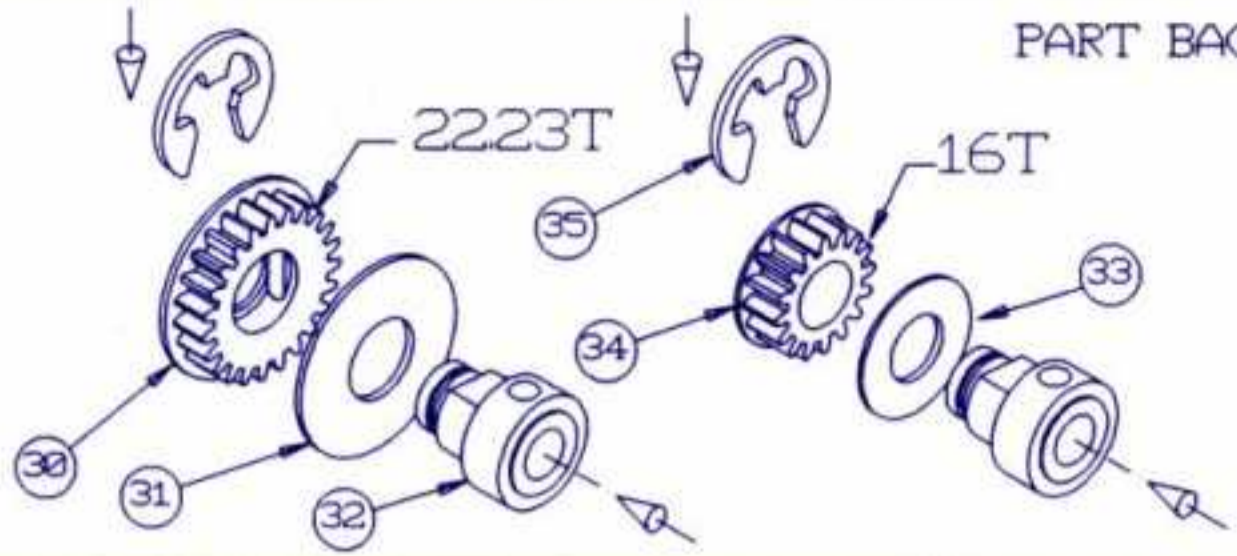


PART BAGS B.C

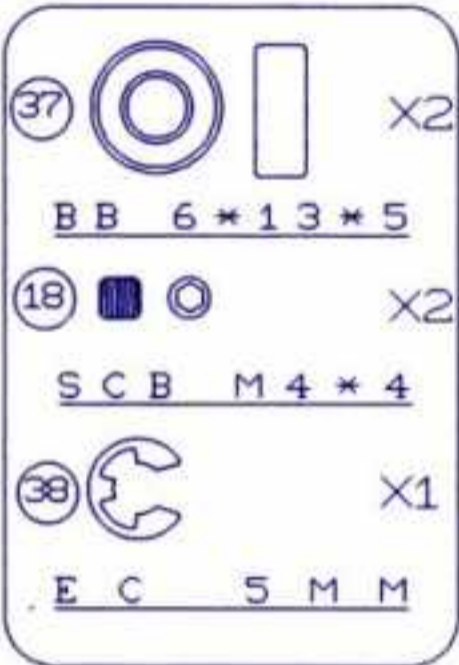
SMALL PARTS



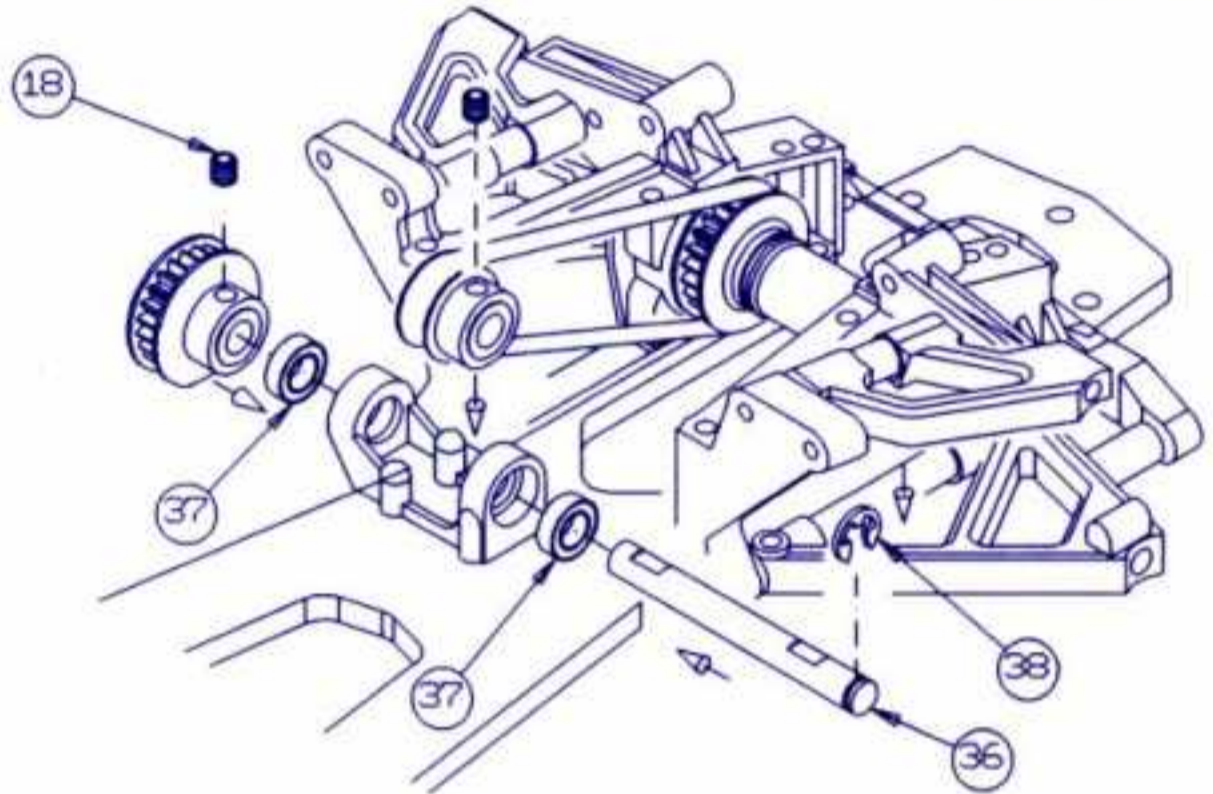
PART BAGS C



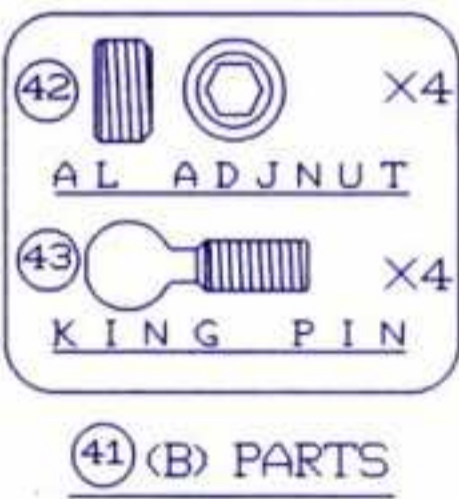
SMALL PARTS



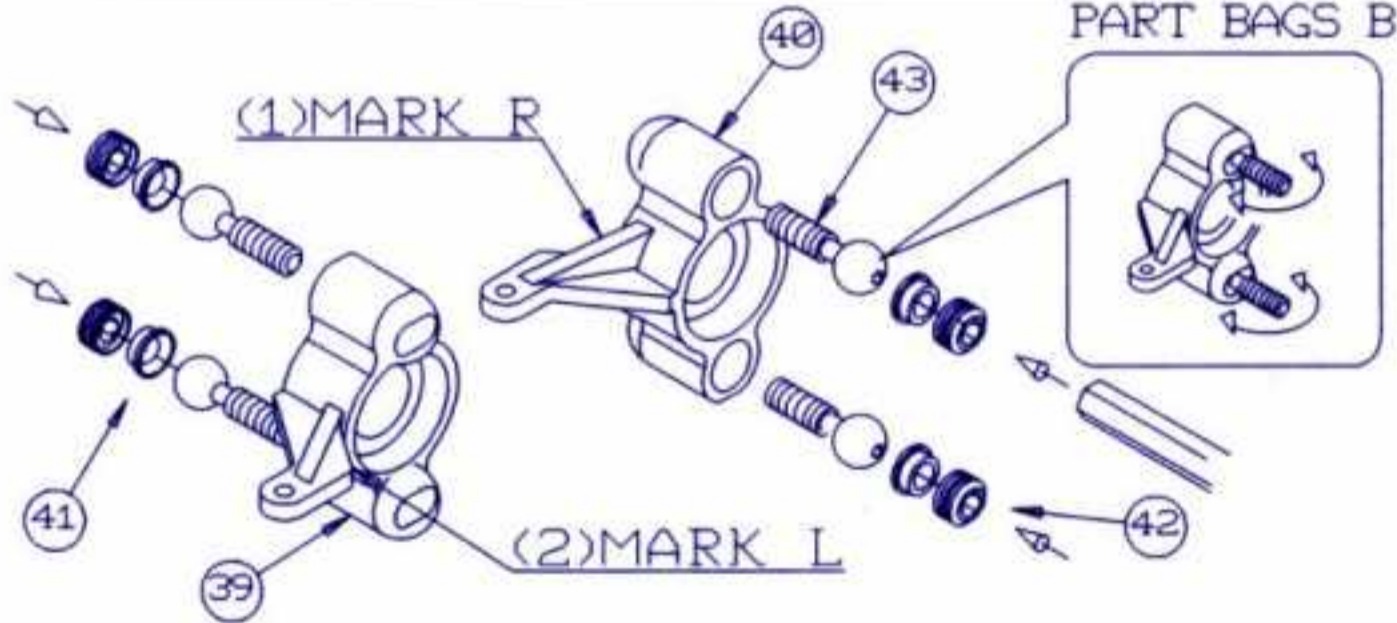
PART BAGS C



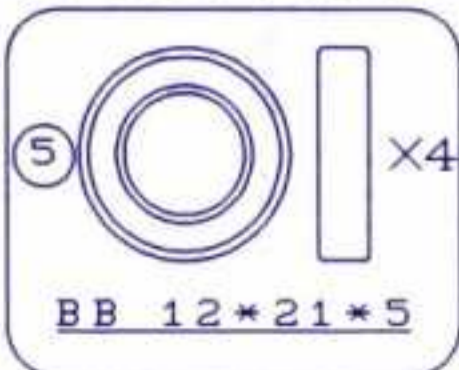
SMALL PARTS



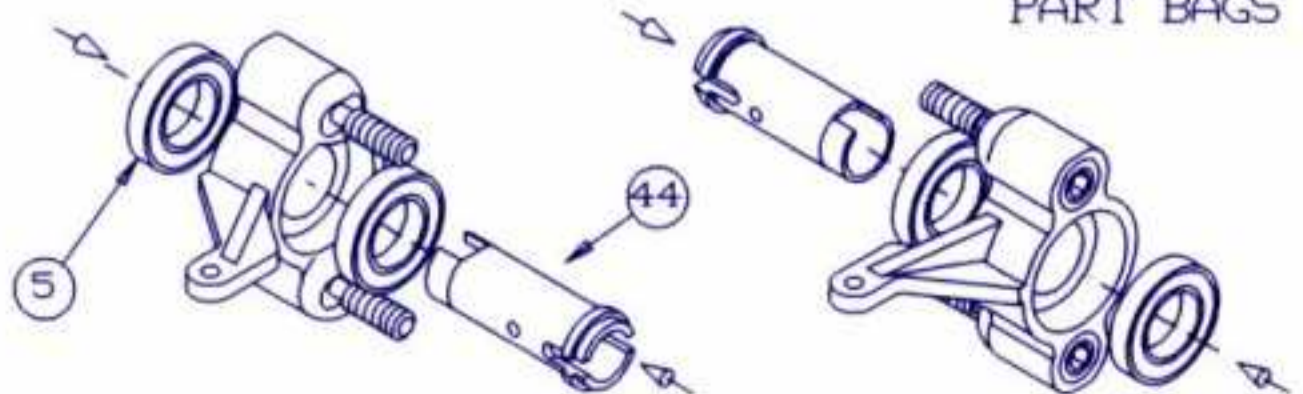
PART BAGS B



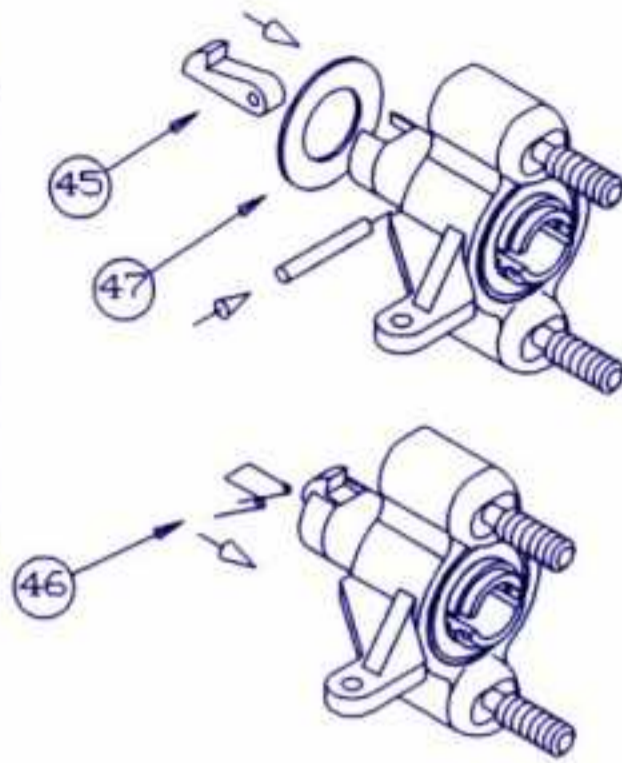
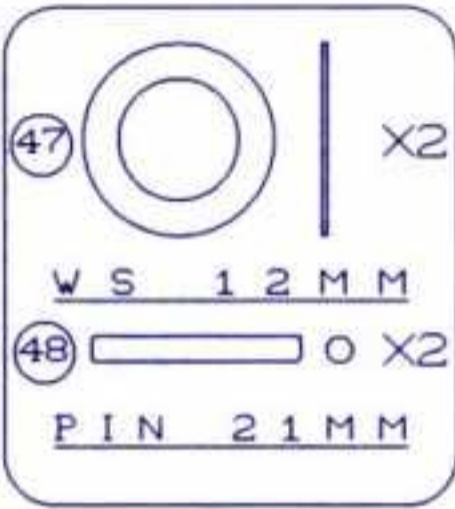
SMALL PARTS



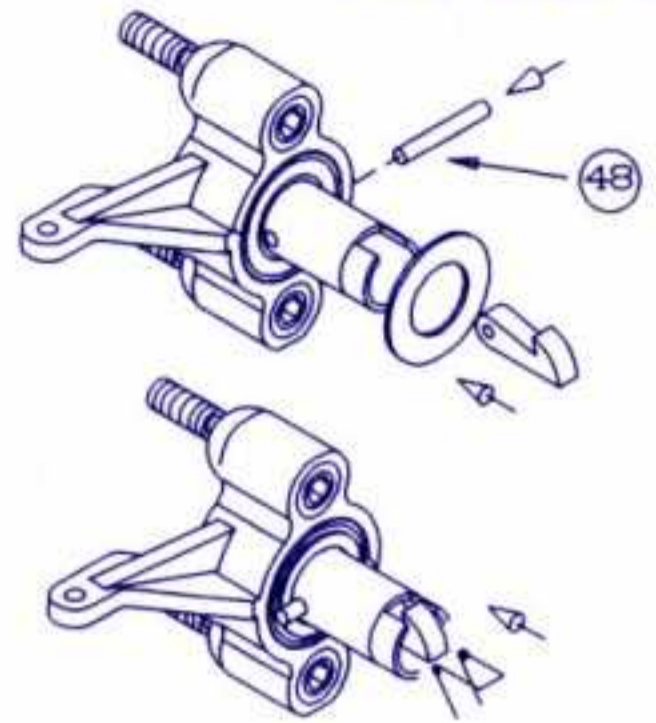
PART BAGS B



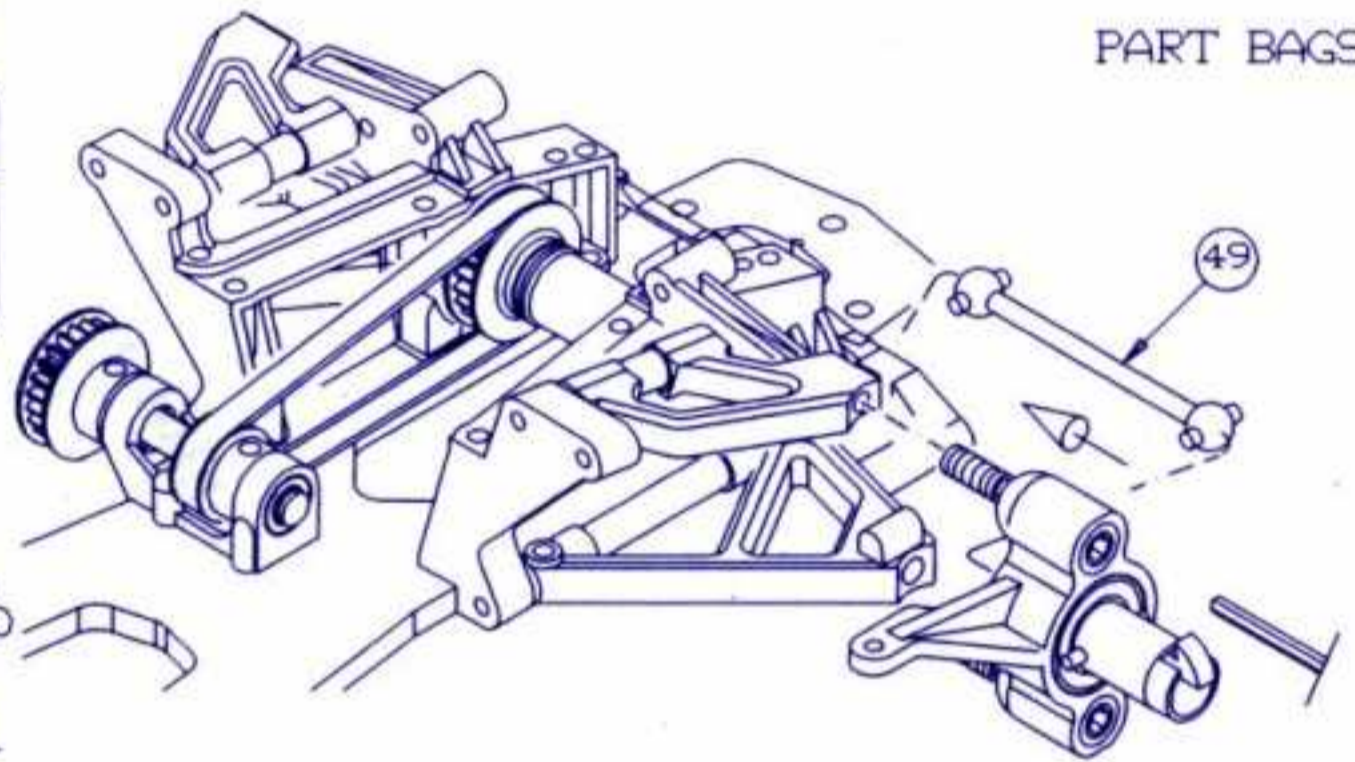
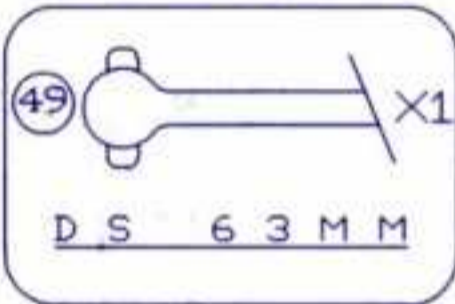
SMALL PARTS



PART BAGS B

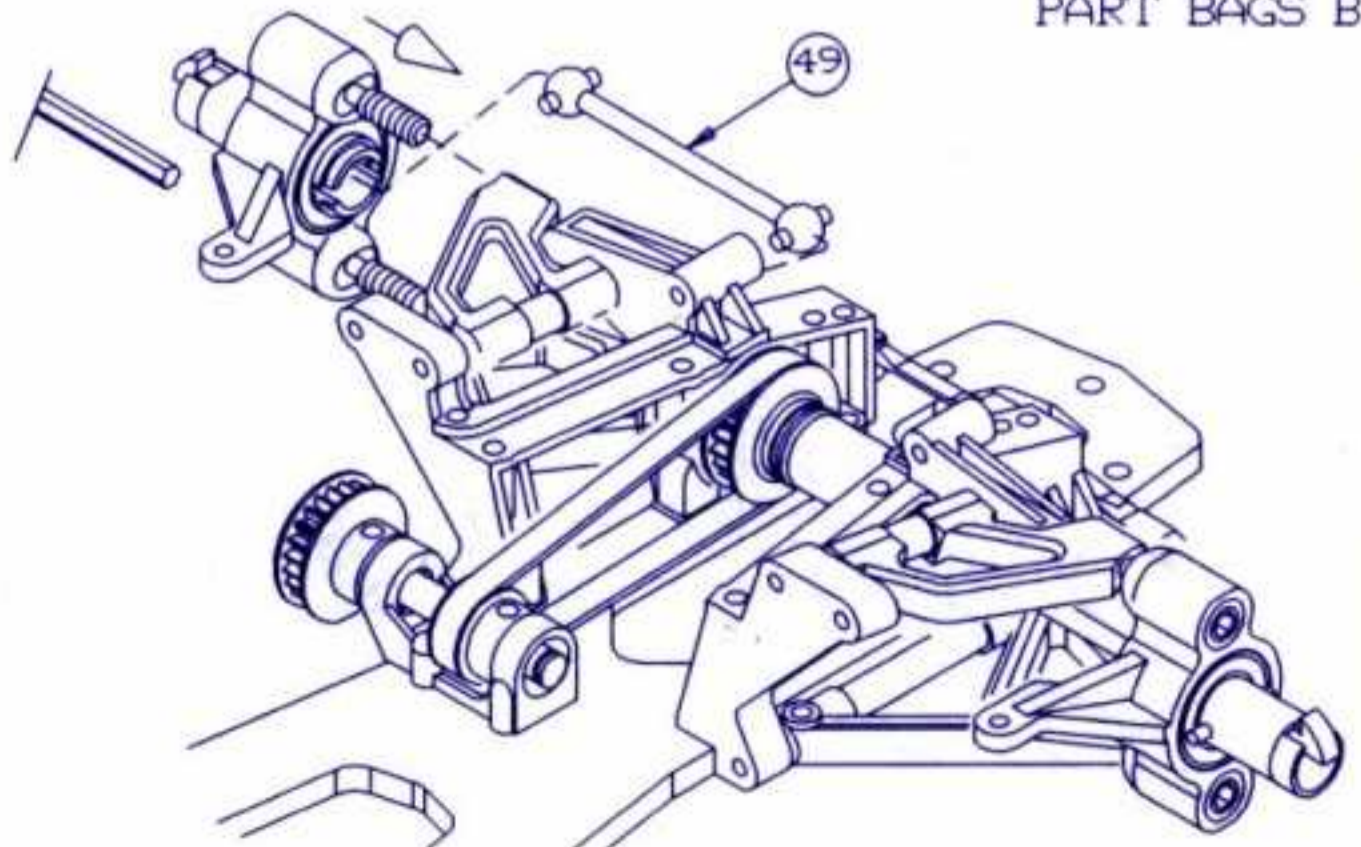
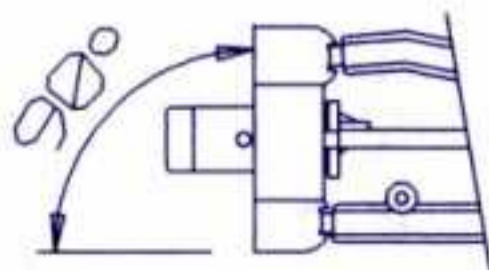
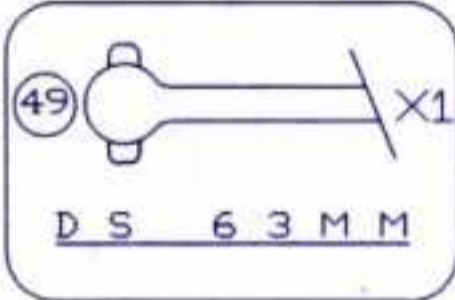


SMALL PARTS



PART BAGS B


SMALL PARTS




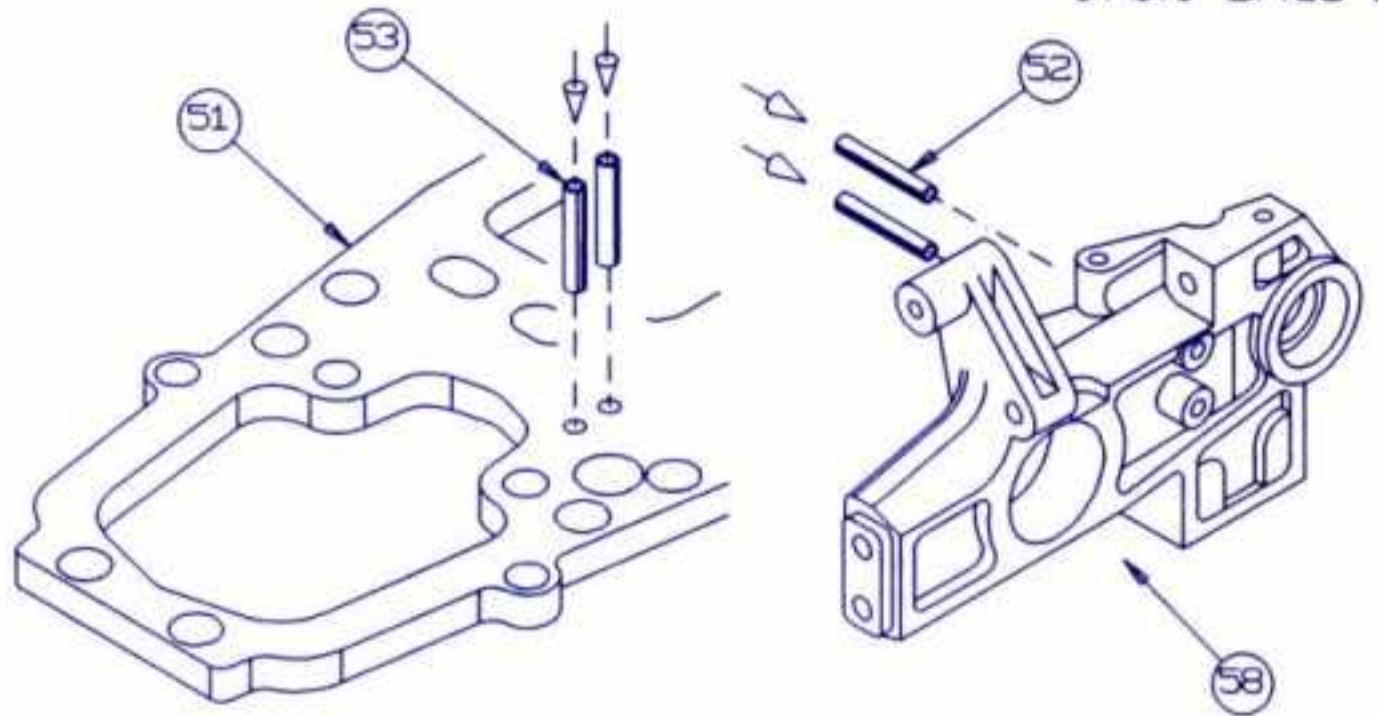
PART BAGS B

SMALL PARTS

PART BAGS D


52  X2
 SPIN 22MM


53  X2
 SPIN 20MM

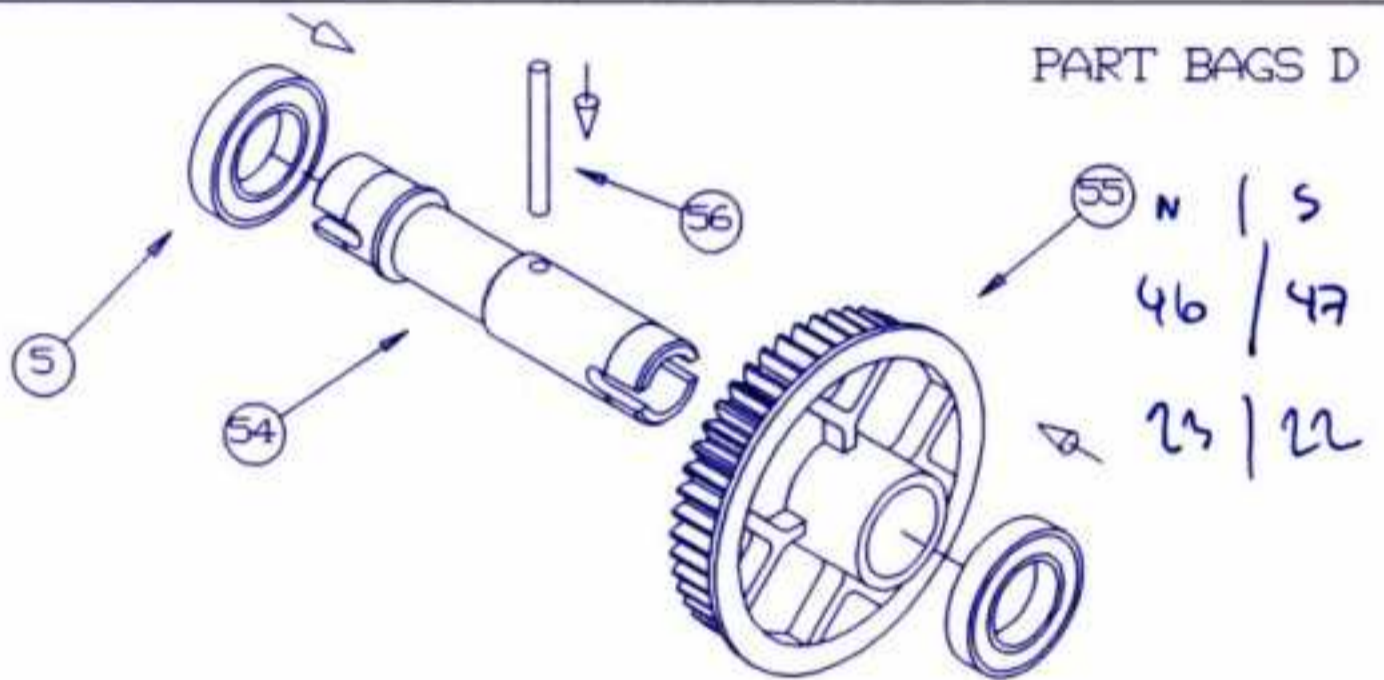


SMALL PARTS

PART BAGS D


56  X1
 PIN 24MM


5  X2
 BB 12*21*5

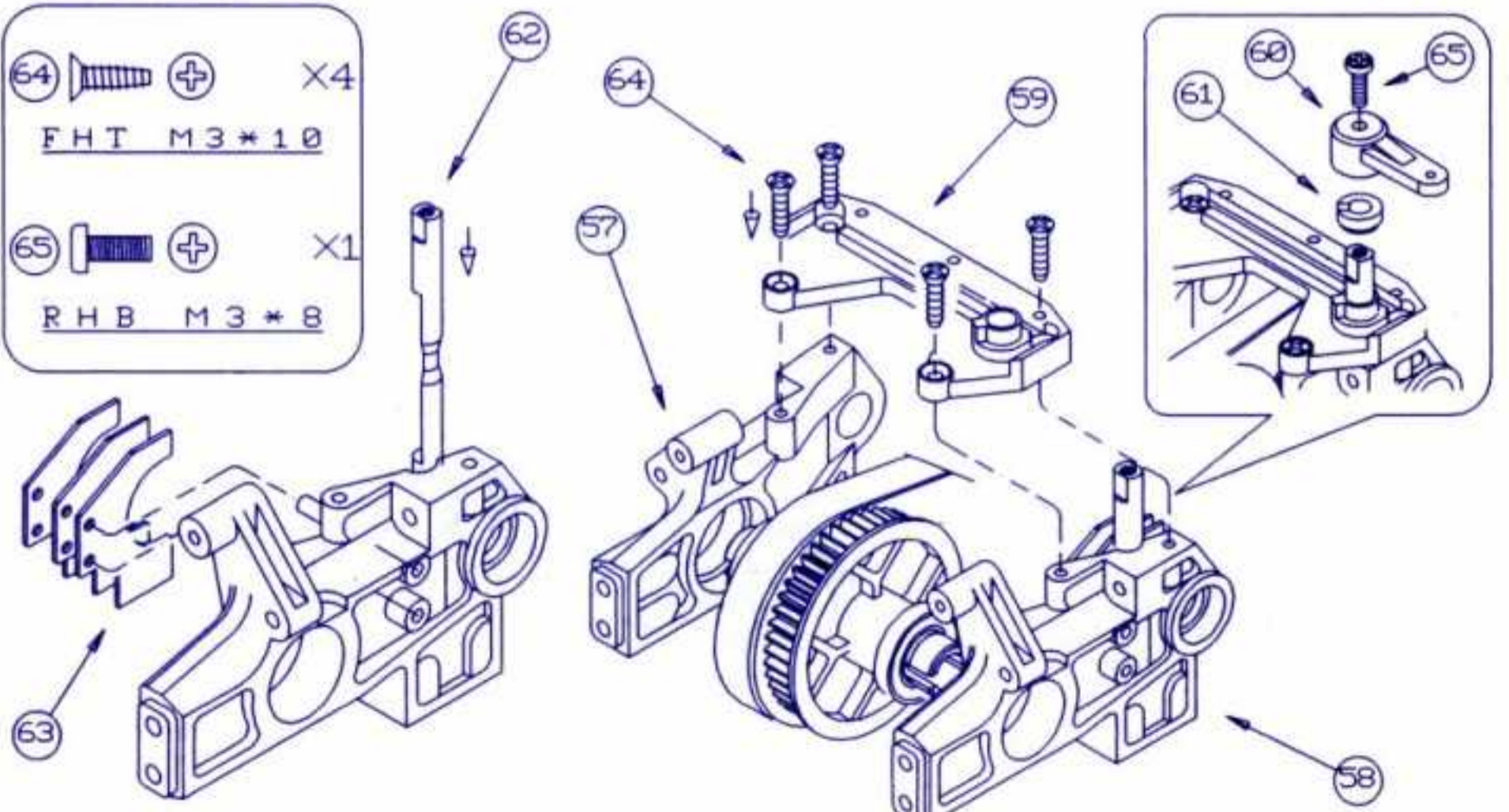


SMALL PARTS


PART BAGS D

64  X4
 FHT M3*10

65  X1
 RHB M3*8




SMALL PARTS

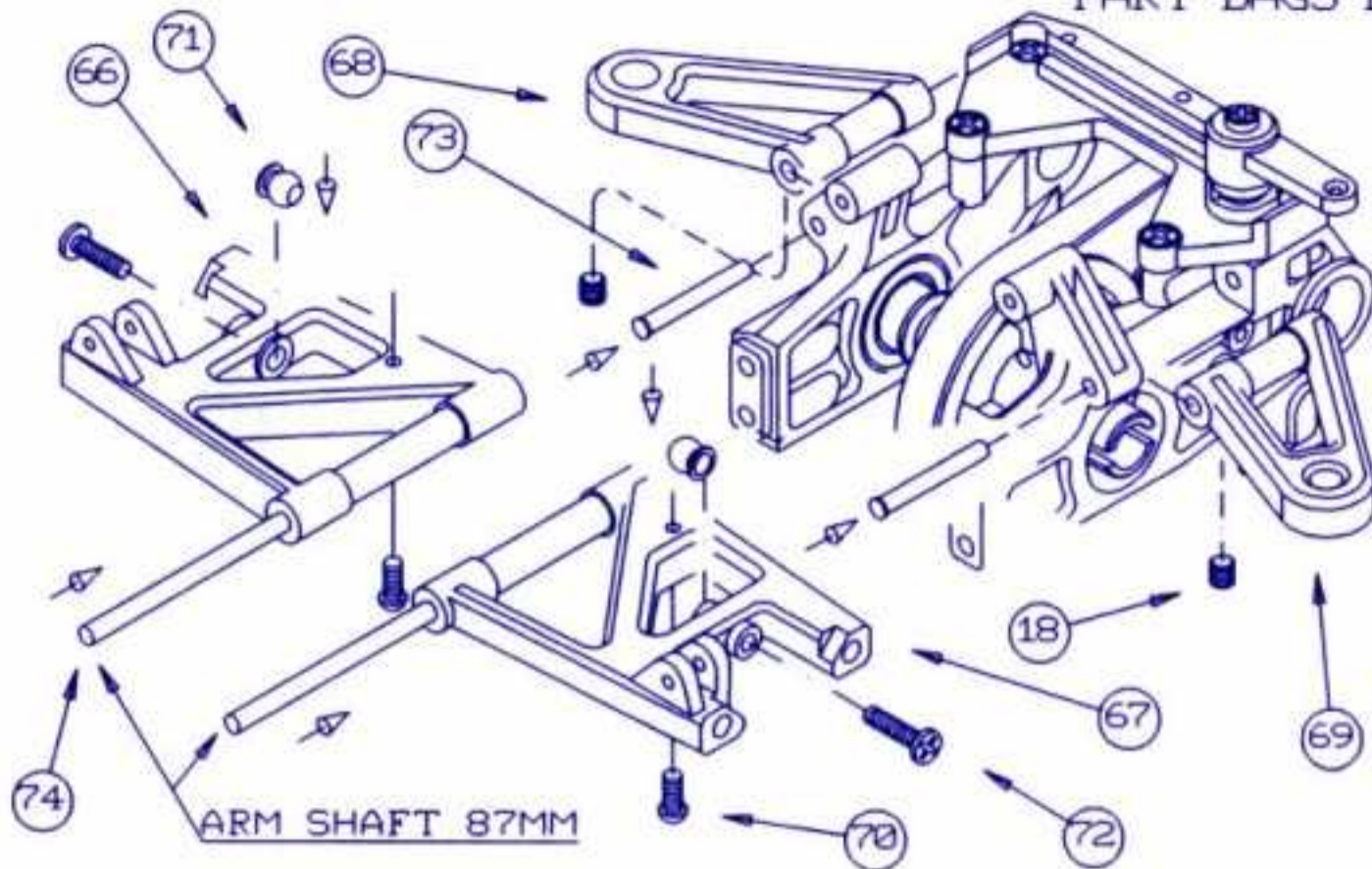
70  X2
RCB M3*8

71  X2
BALL M5.8

72  X2
RHB M3*12

73  X2
ARM SHAFT 445MM

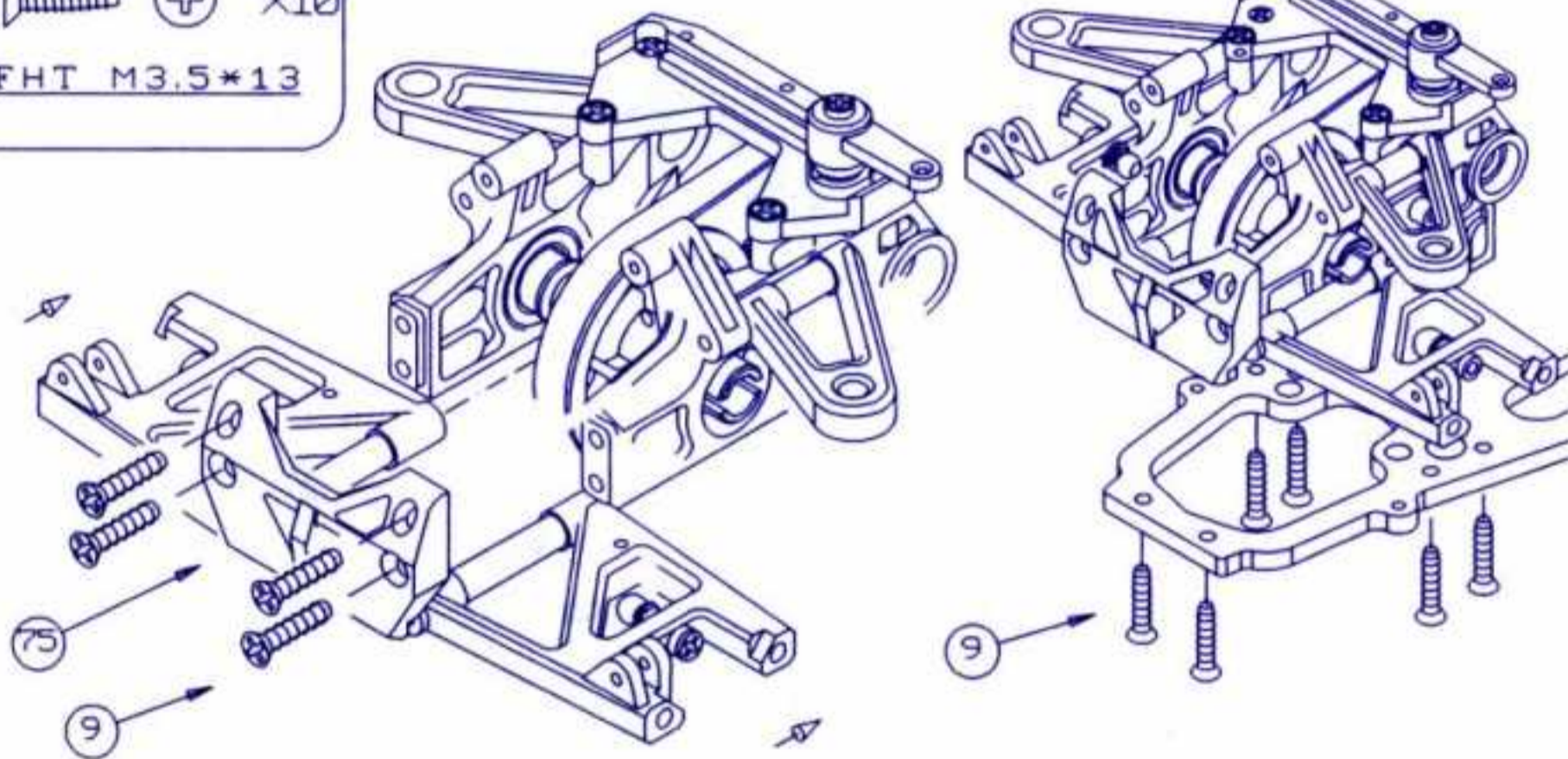
18  X2
SCB M4*4



PART BAGS D

SMALL PARTS

 X10
FHT M3.5*13

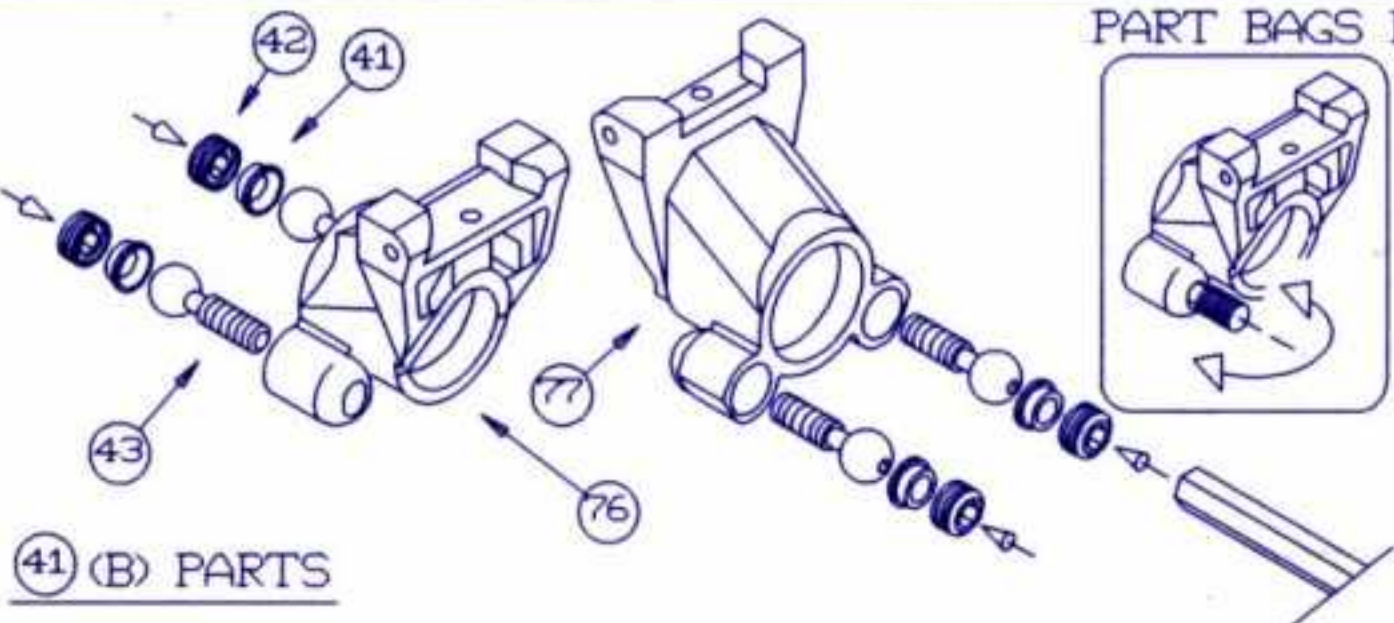


PART BAGS D

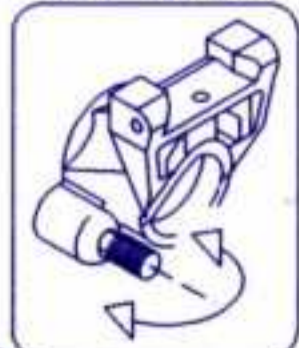
SMALL PARTS

42  X4
AL ADJNUT

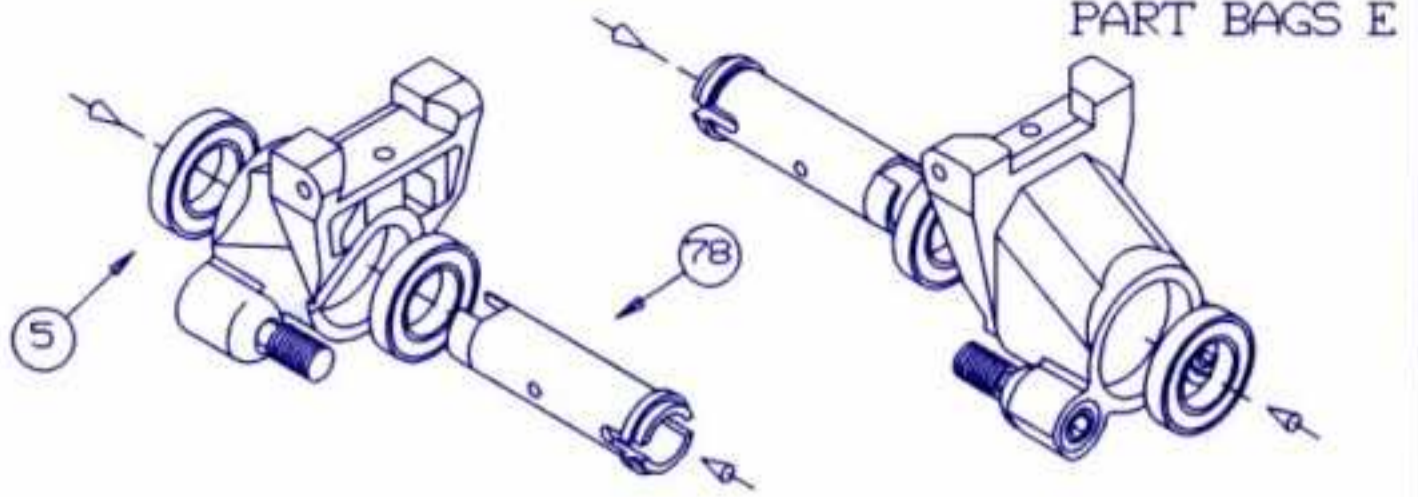
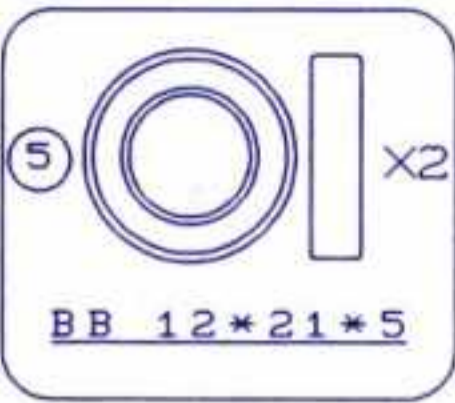
43  X4
KING PIN



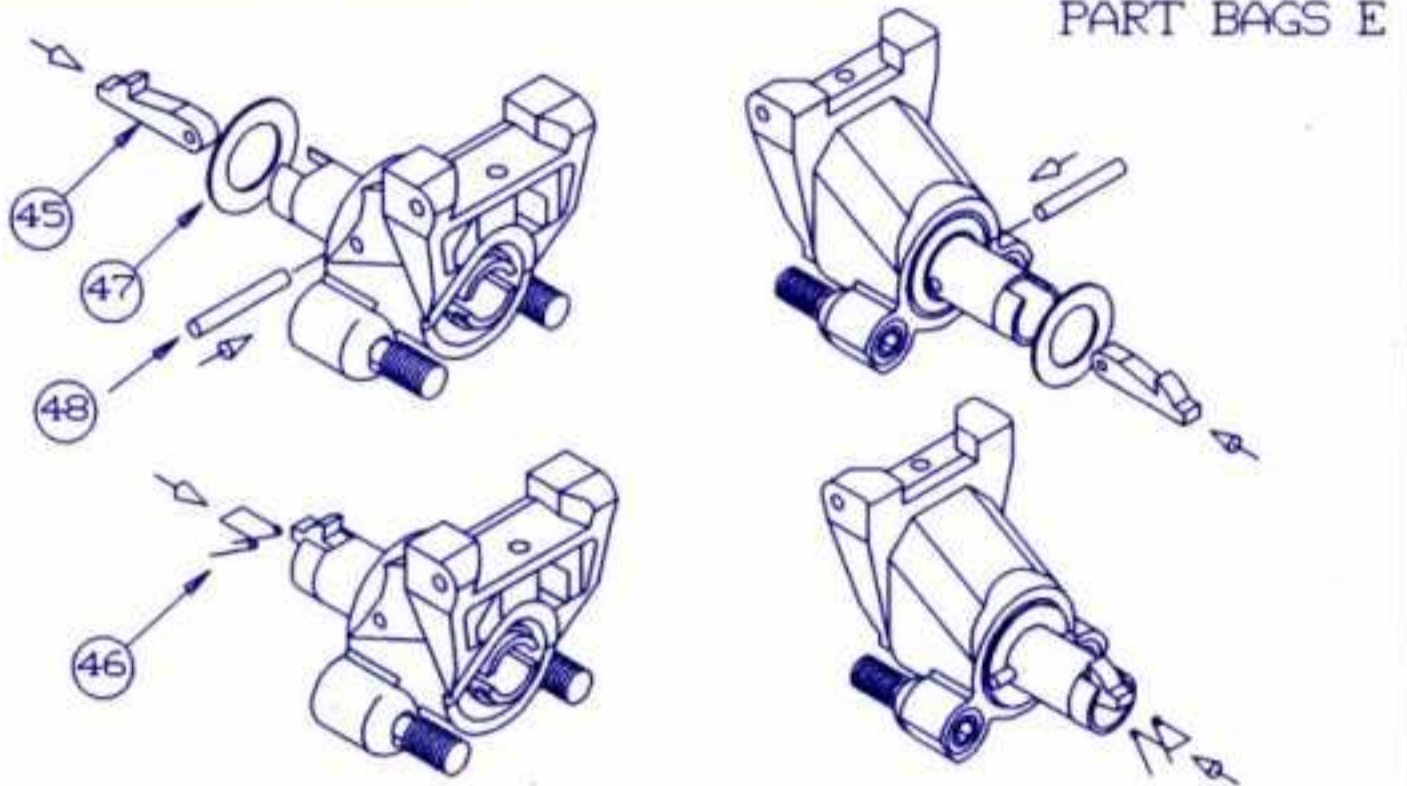
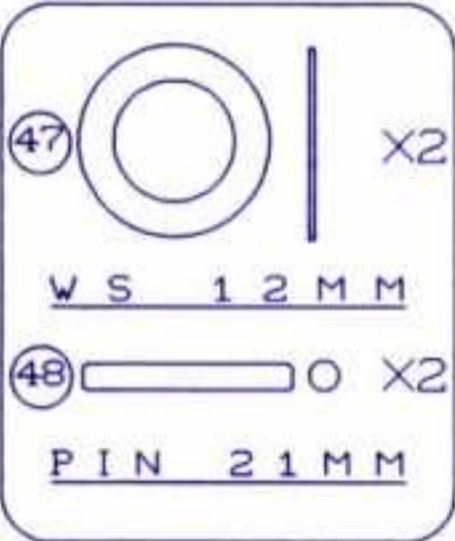
PART BAGS E



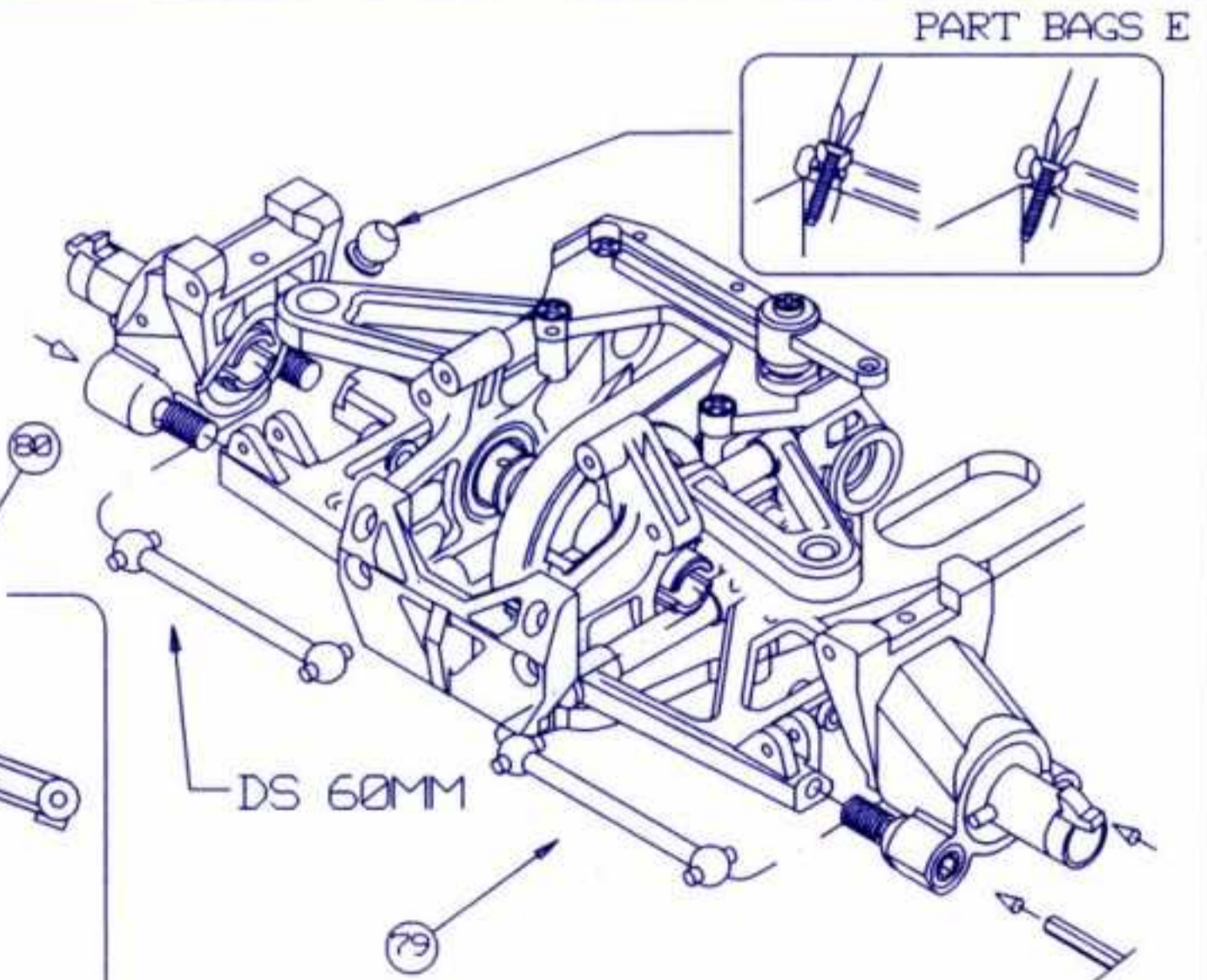
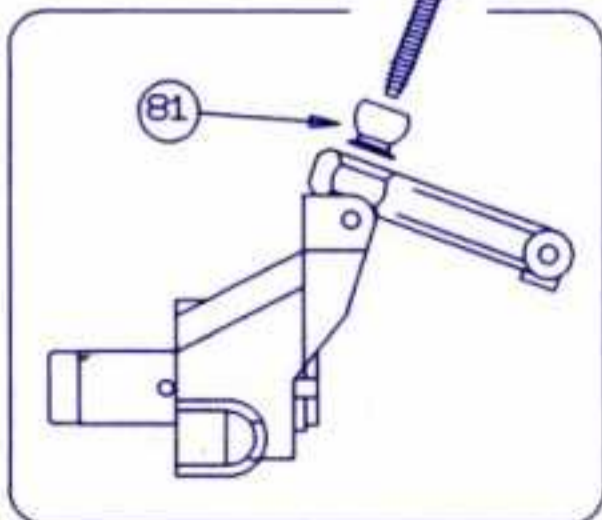
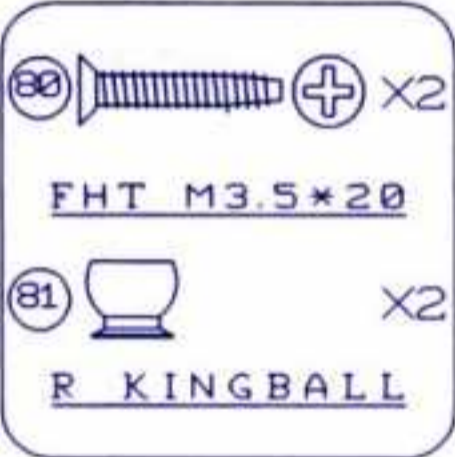
SMALL PARTS




SMALL PARTS





SMALL PARTS




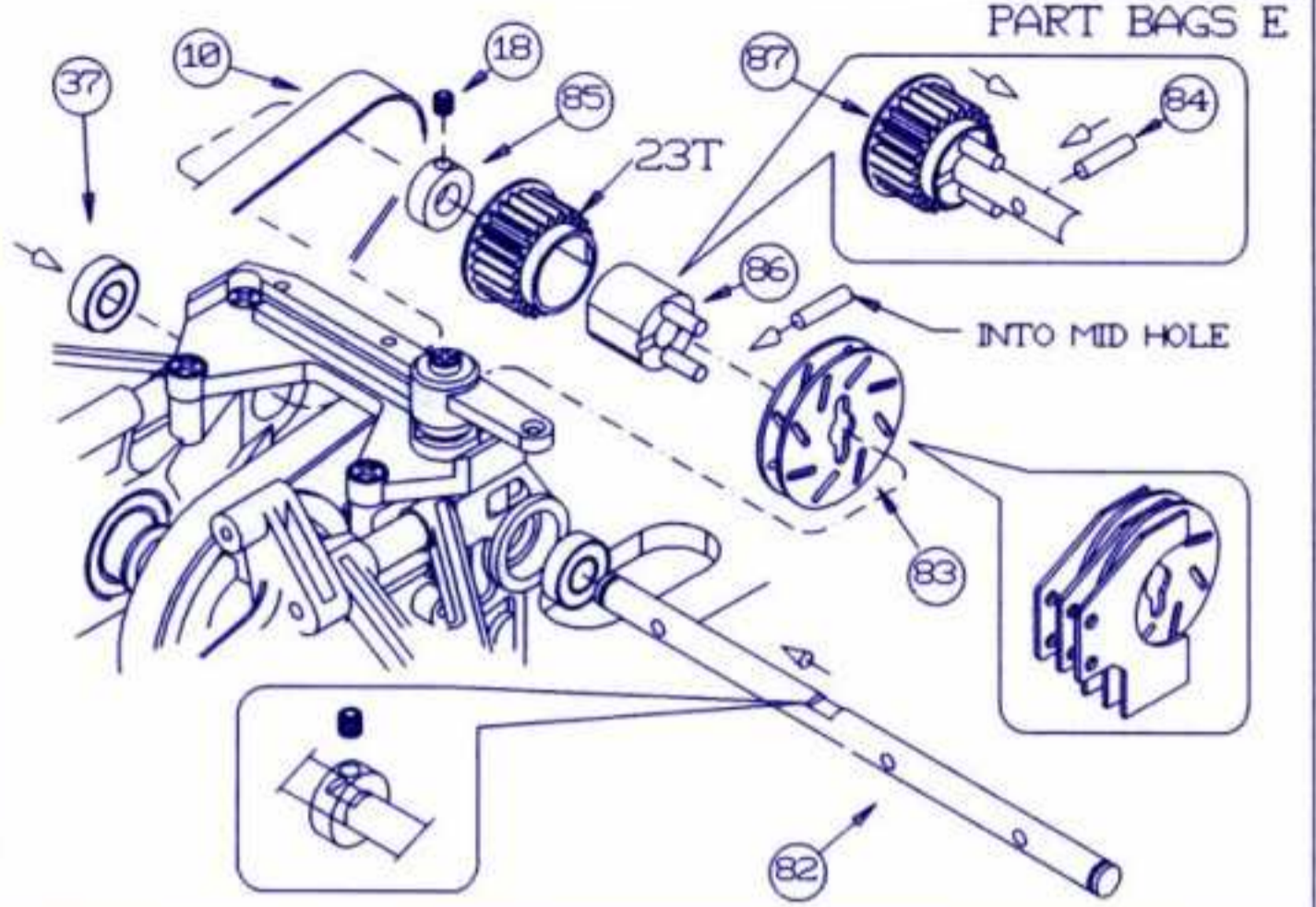
SMALL PARTS

(37)  X2
BB 6*13*5


(84)  O X1
PIN 12MM


(18)  X1
SCB M4*4

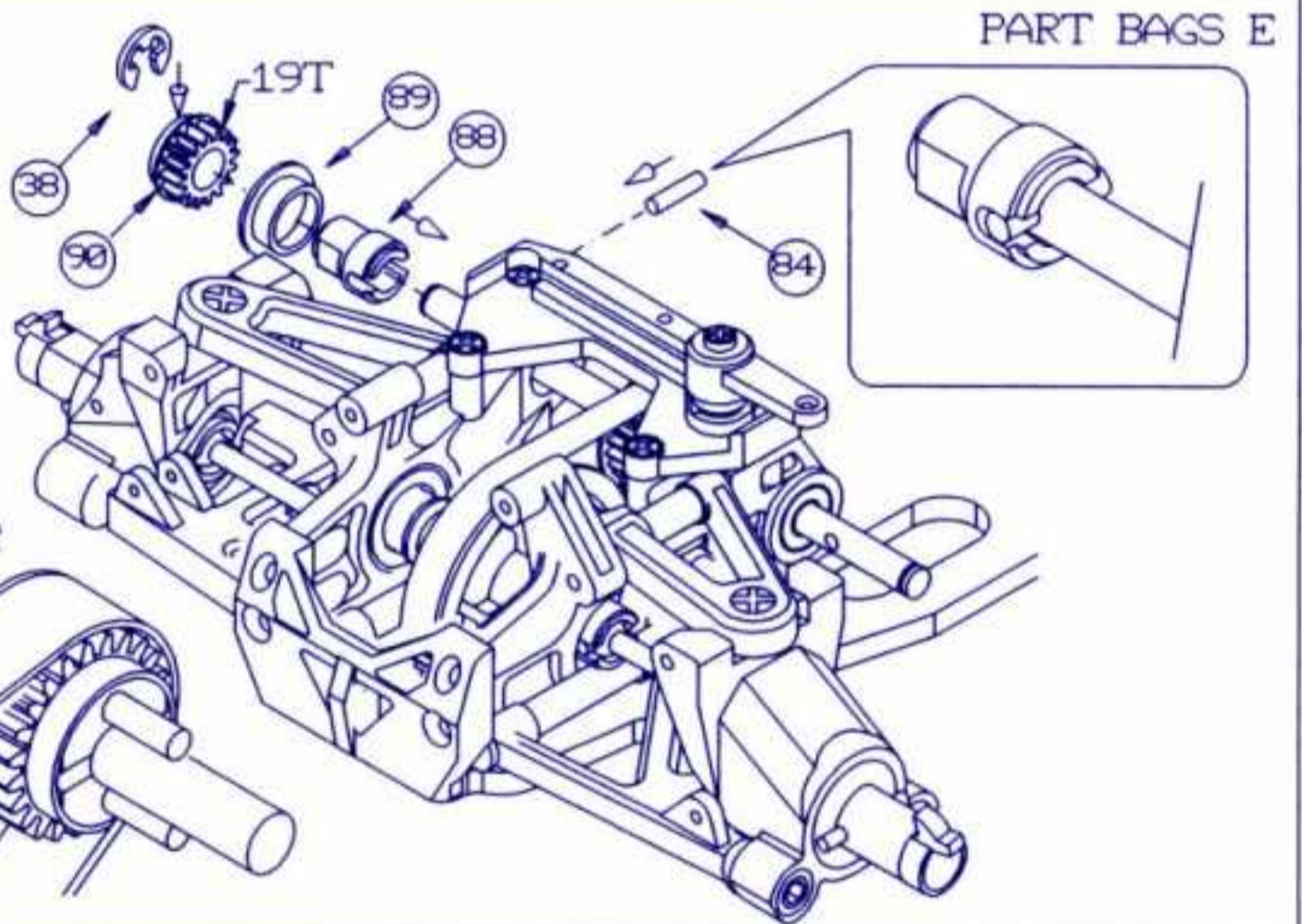
(85)  O X1
M6 STOPPER




SMALL PARTS

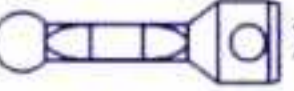
(84)  O X1
PIN 12MM

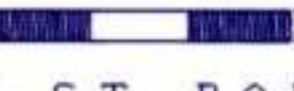
(38)  X1
EC 5MM

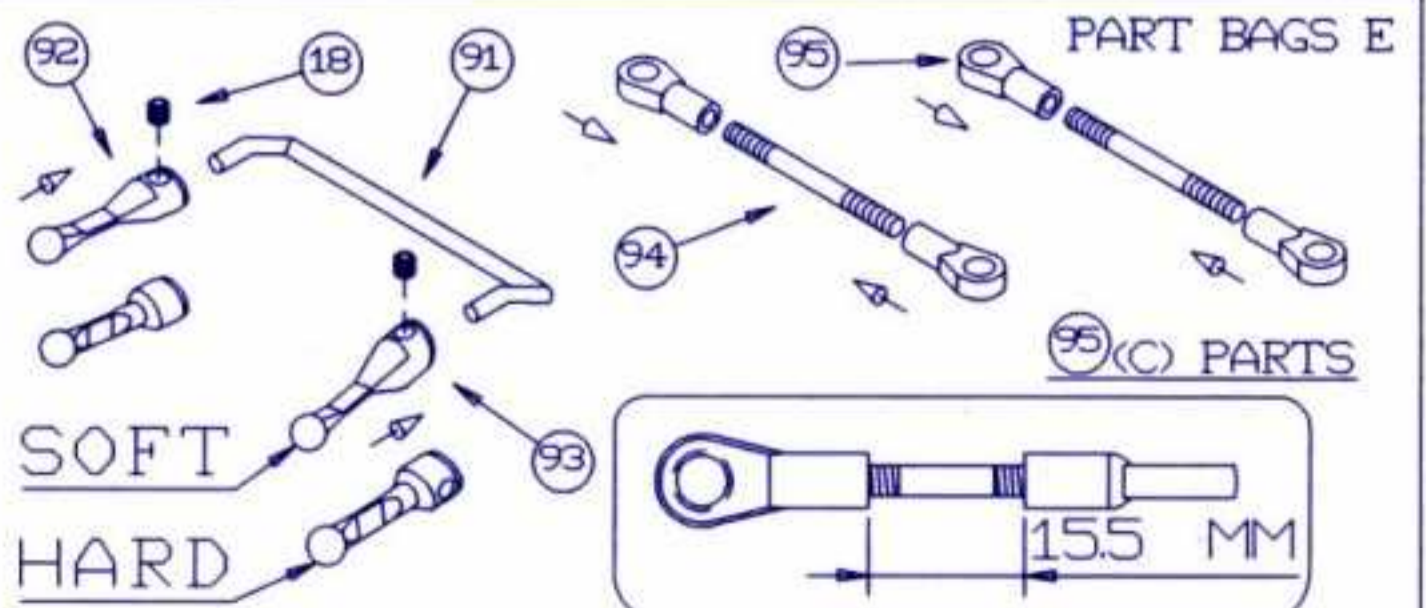


SMALL PARTS

(18)  X2
SCB M4*4

(92)  X2
RST BAR

(94)  X2
RST ROD

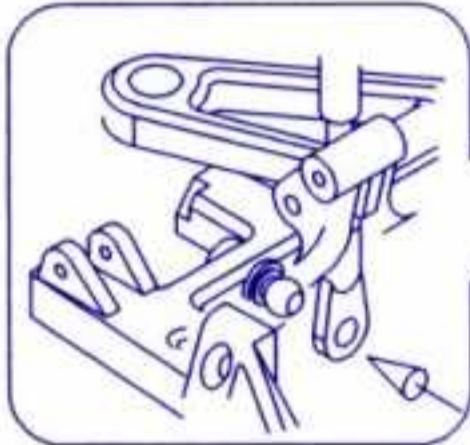
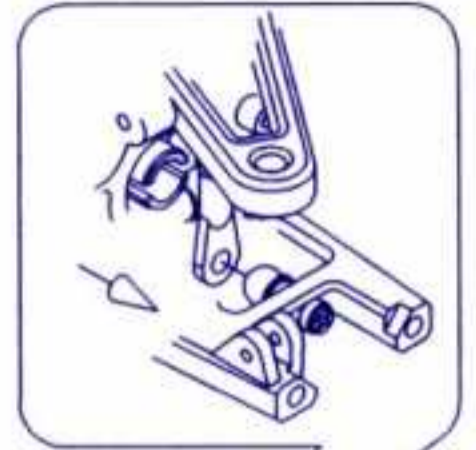
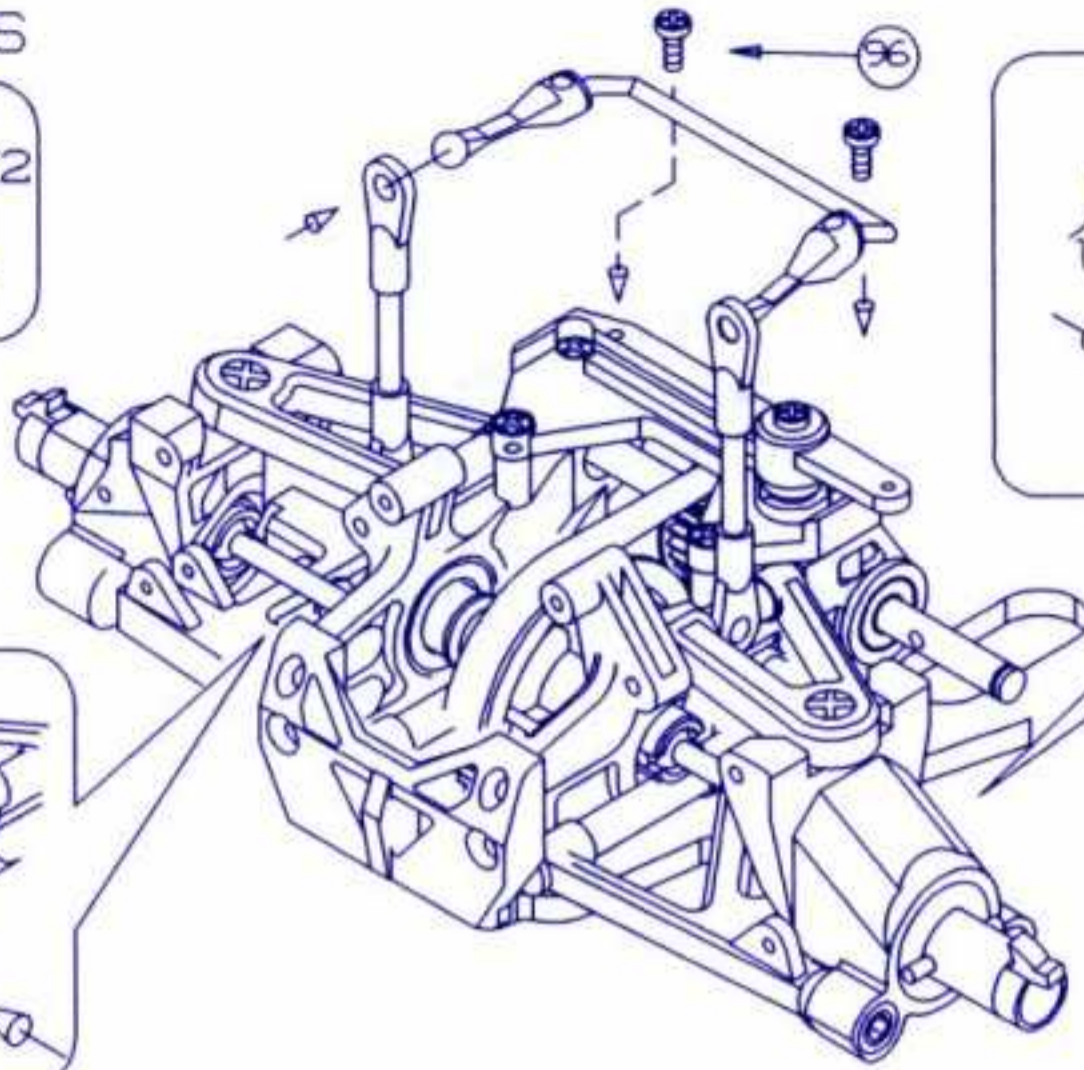


SMALL PARTS




X2
RHT M3*6

PART BAGS E



SMALL PARTS


X1
2SC MOUNT



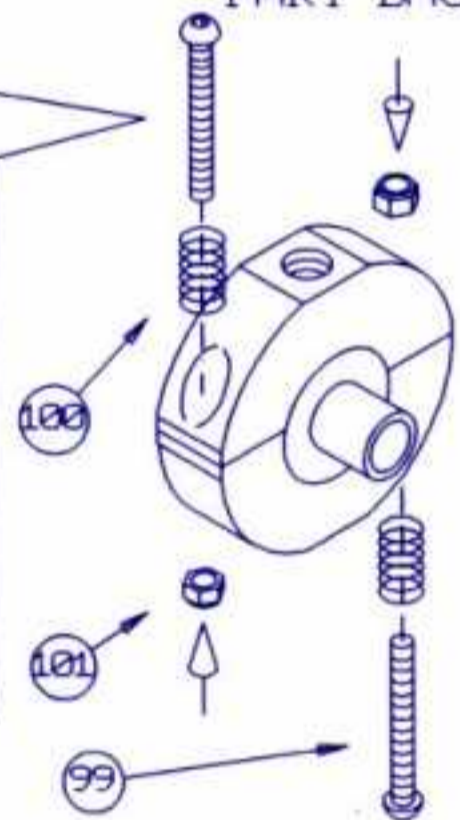
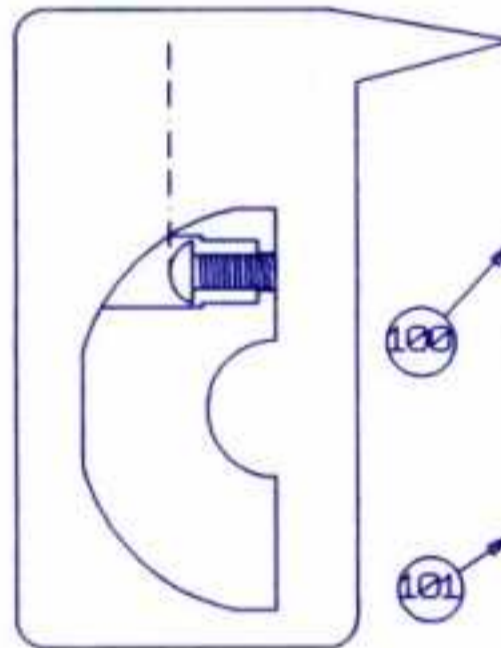
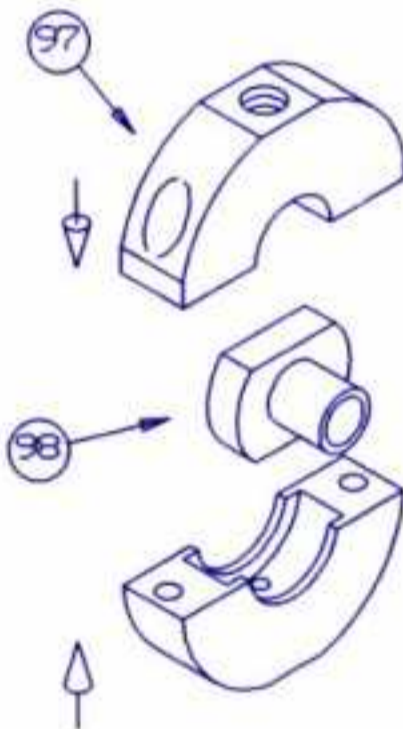
X2
RHC M3*16



X2
2SC ADJSPRING


X2
M3 NYN

PART BAGS F



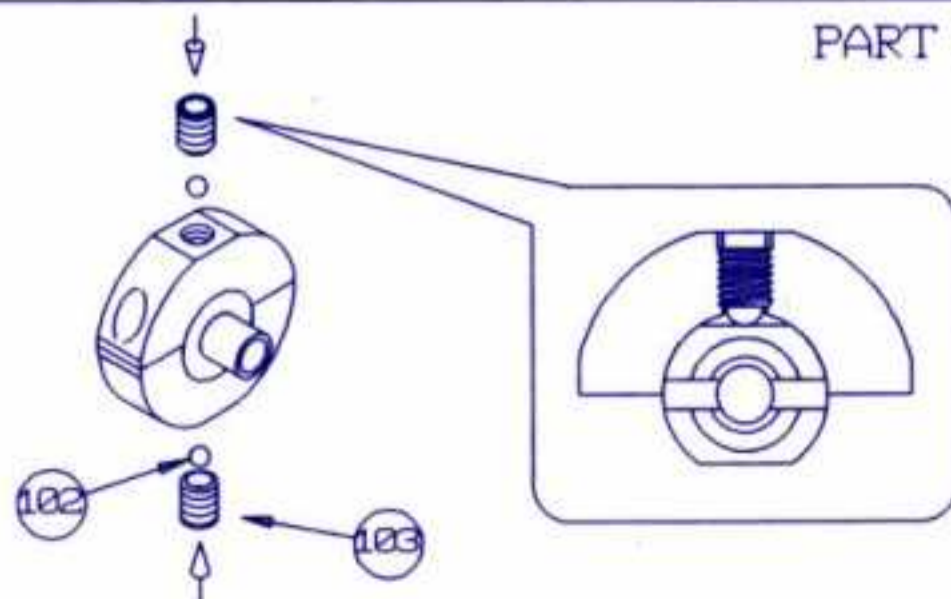
SMALL PARTS




X2
2S ADJSCREW

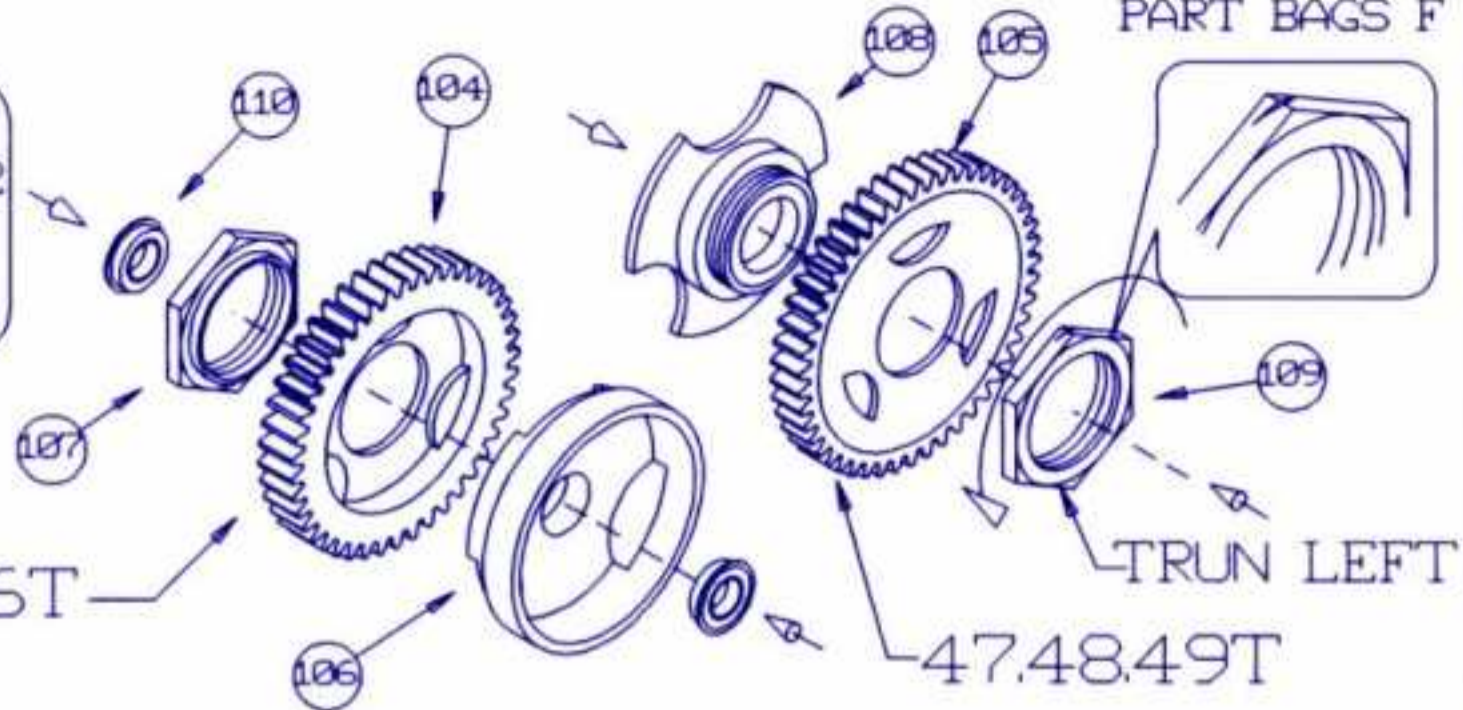
X2
M4 STBALL

PART BAGS F



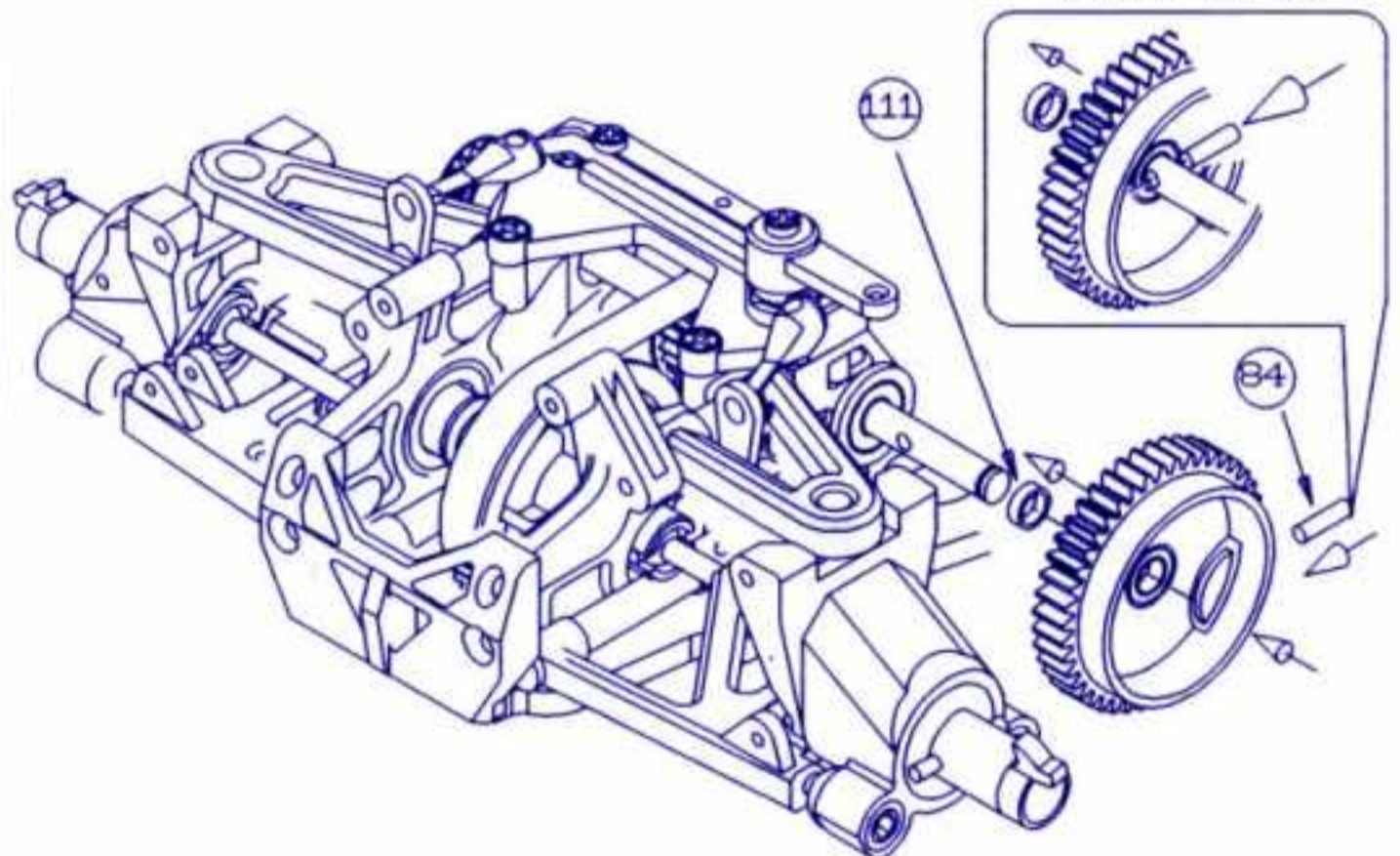
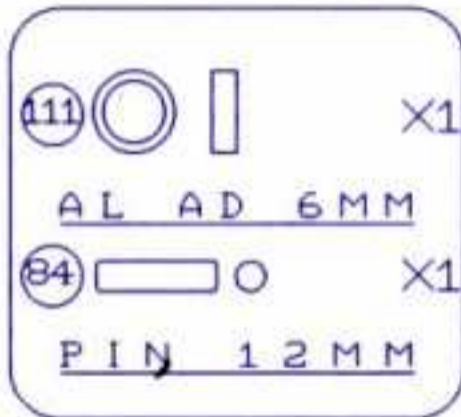
S,ALL PARTS

PART BAGS F



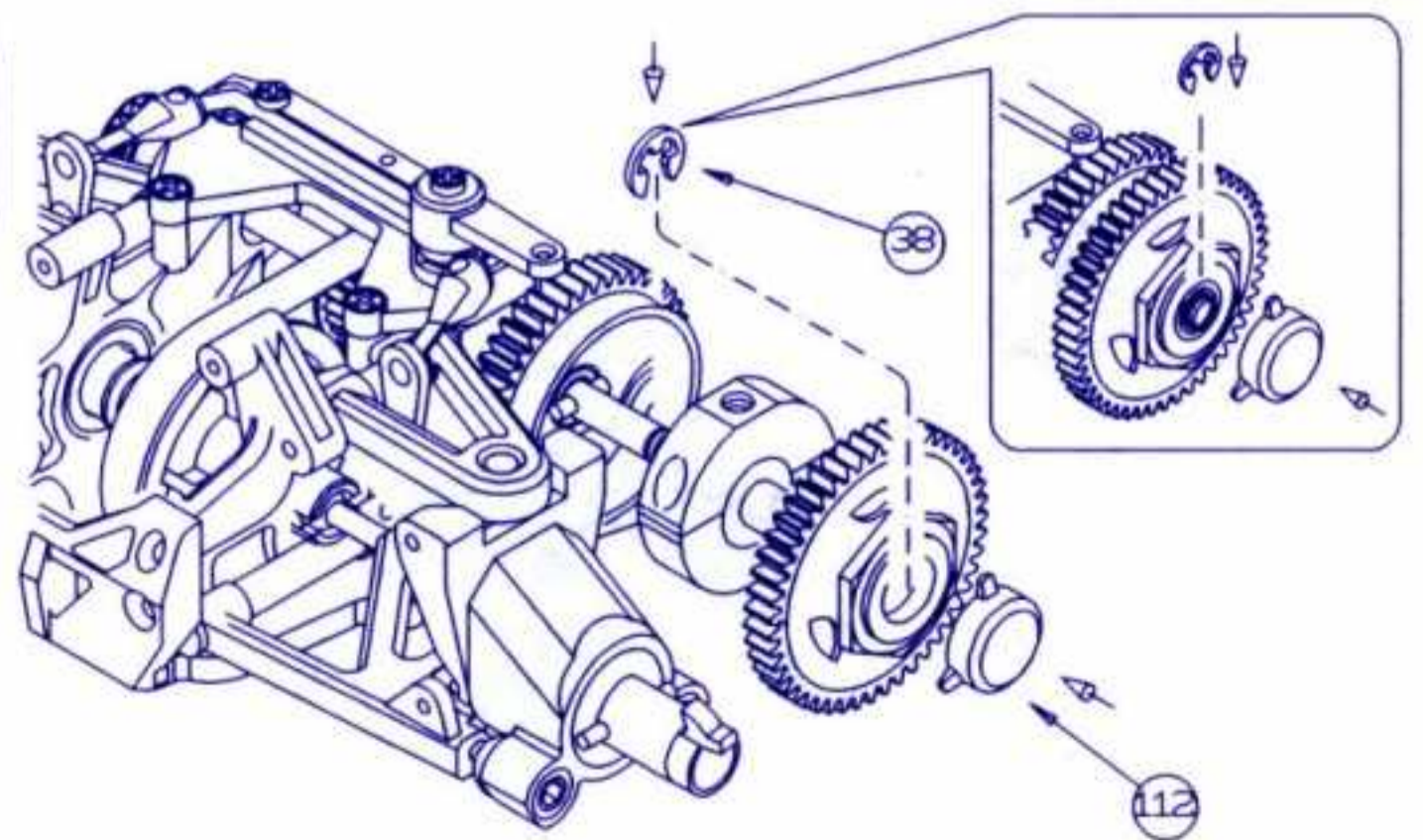
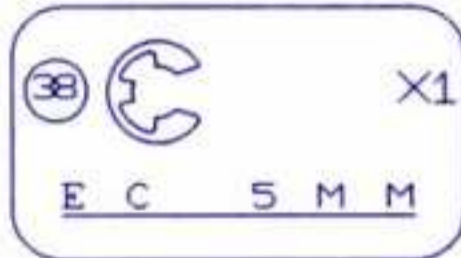
S,ALL PARTS

PART BAGS F



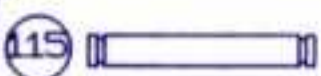

S,ALL PARTS

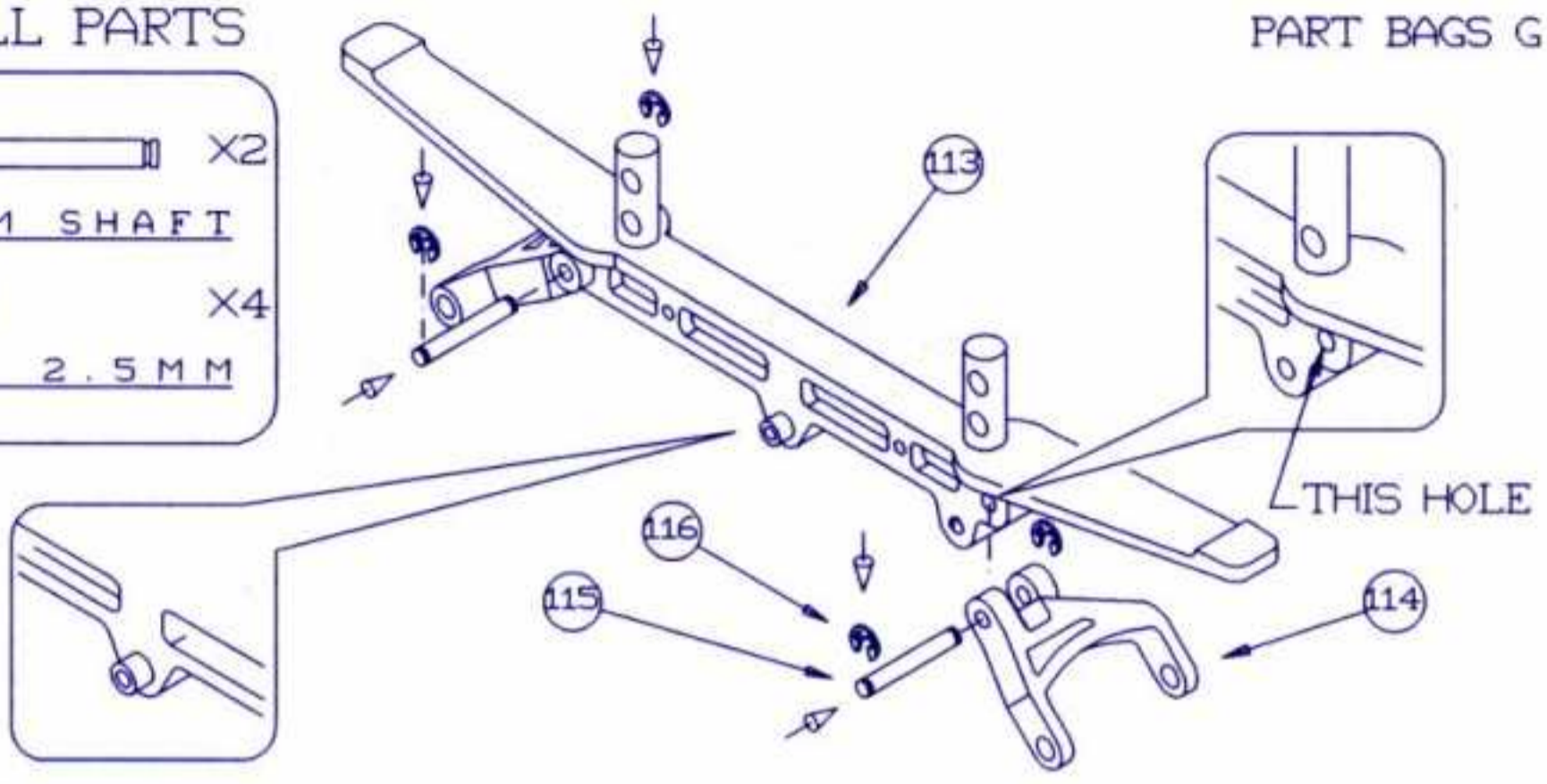
PART BAGS F



S,ALL PARTS





PART BAGS G

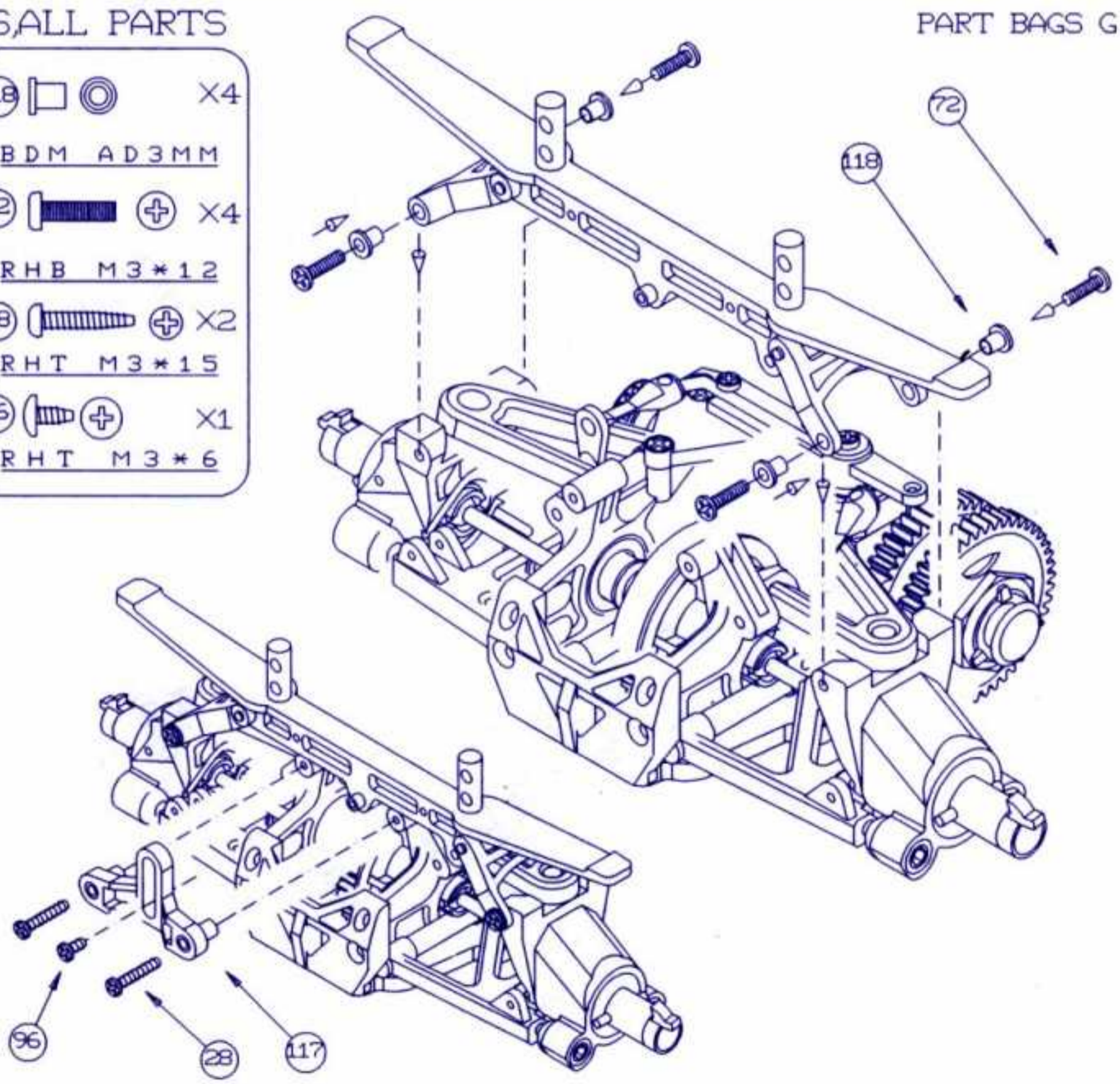
- 115  X2
BDM SHAFT
- 116  X4
E C 2.5 M M



S,ALL PARTS

PART BAGS G

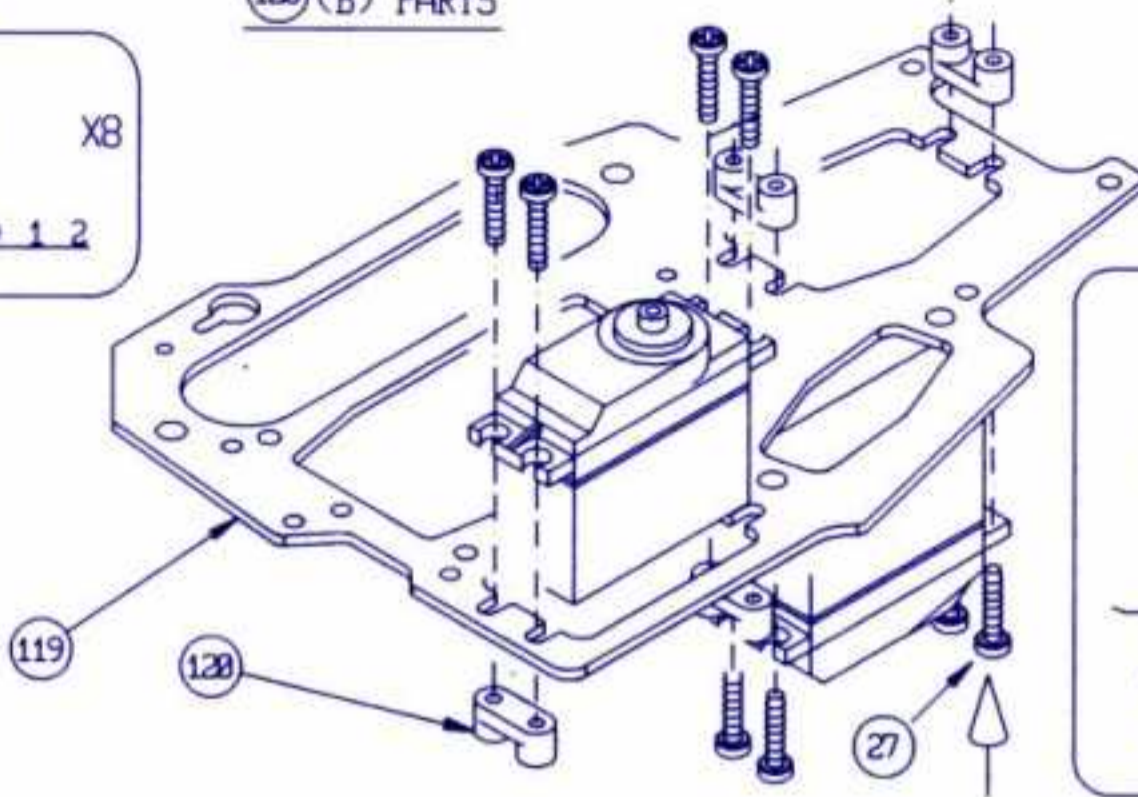
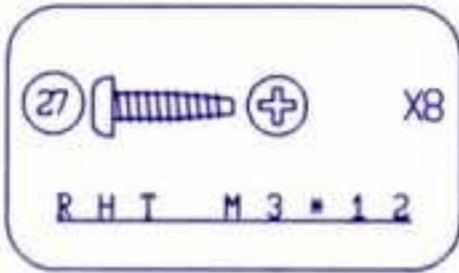
- 118  X4
BDM AD3MM
- 72  X4
RHB M3*12
- 28  X2
RHT M3*15
- 96  X1
RHT M3*6



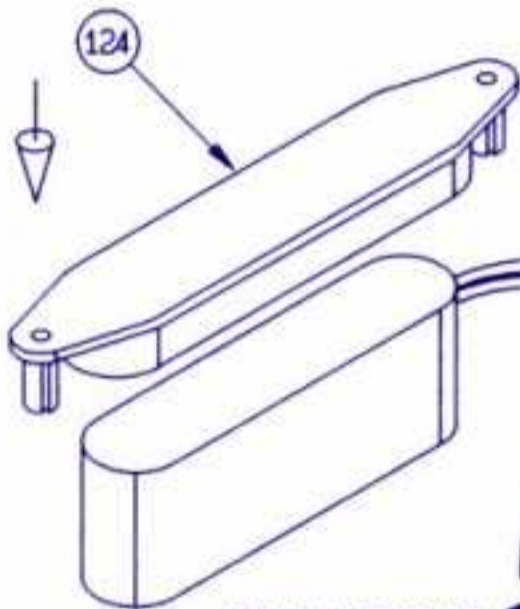
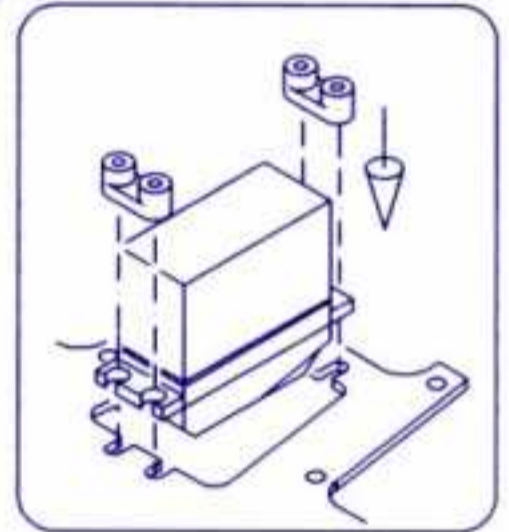
SMALL PARTS

(120) (B) PARTS

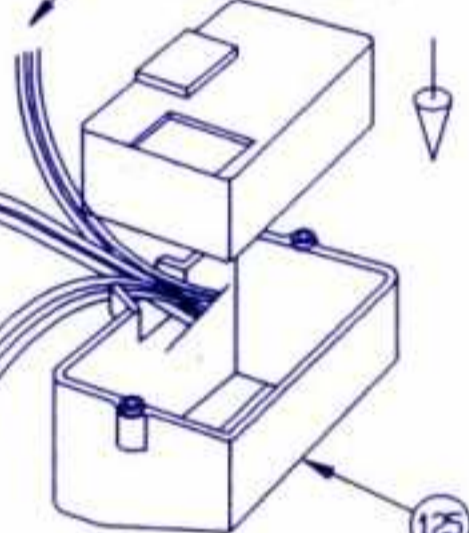
PART BAGS H



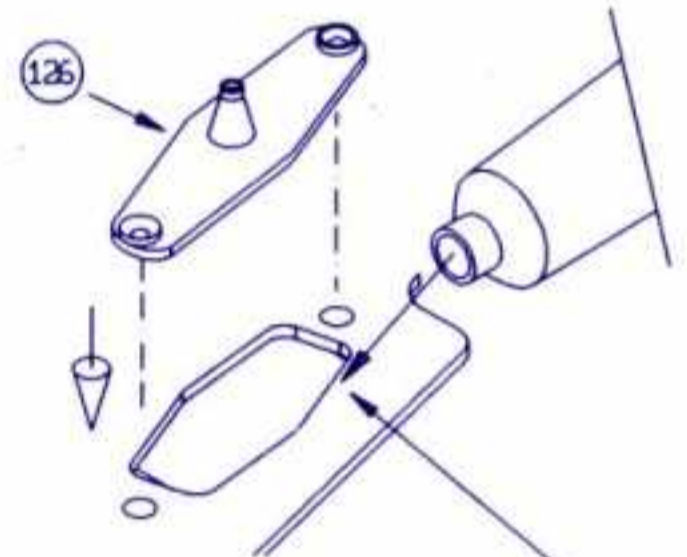
CHOOSE ONE OF SERVO POSITION



FROM SERVO



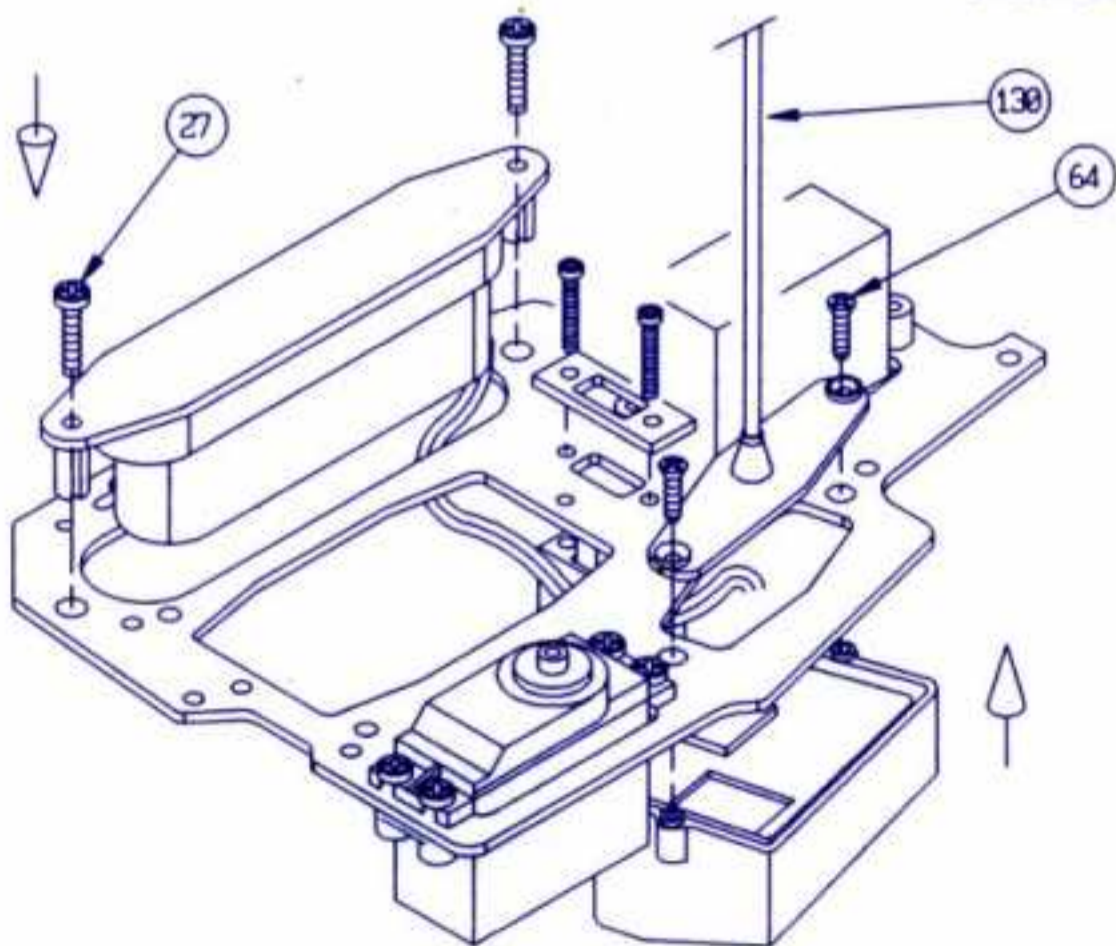
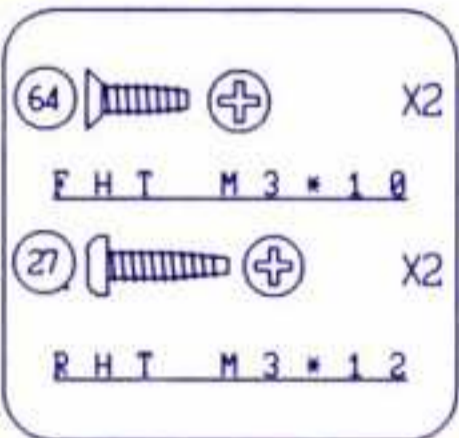
FROM SERVO



APPLY SILICON CEMENT

SMALL PARTS

PART BAGS H



SMALL PARTS

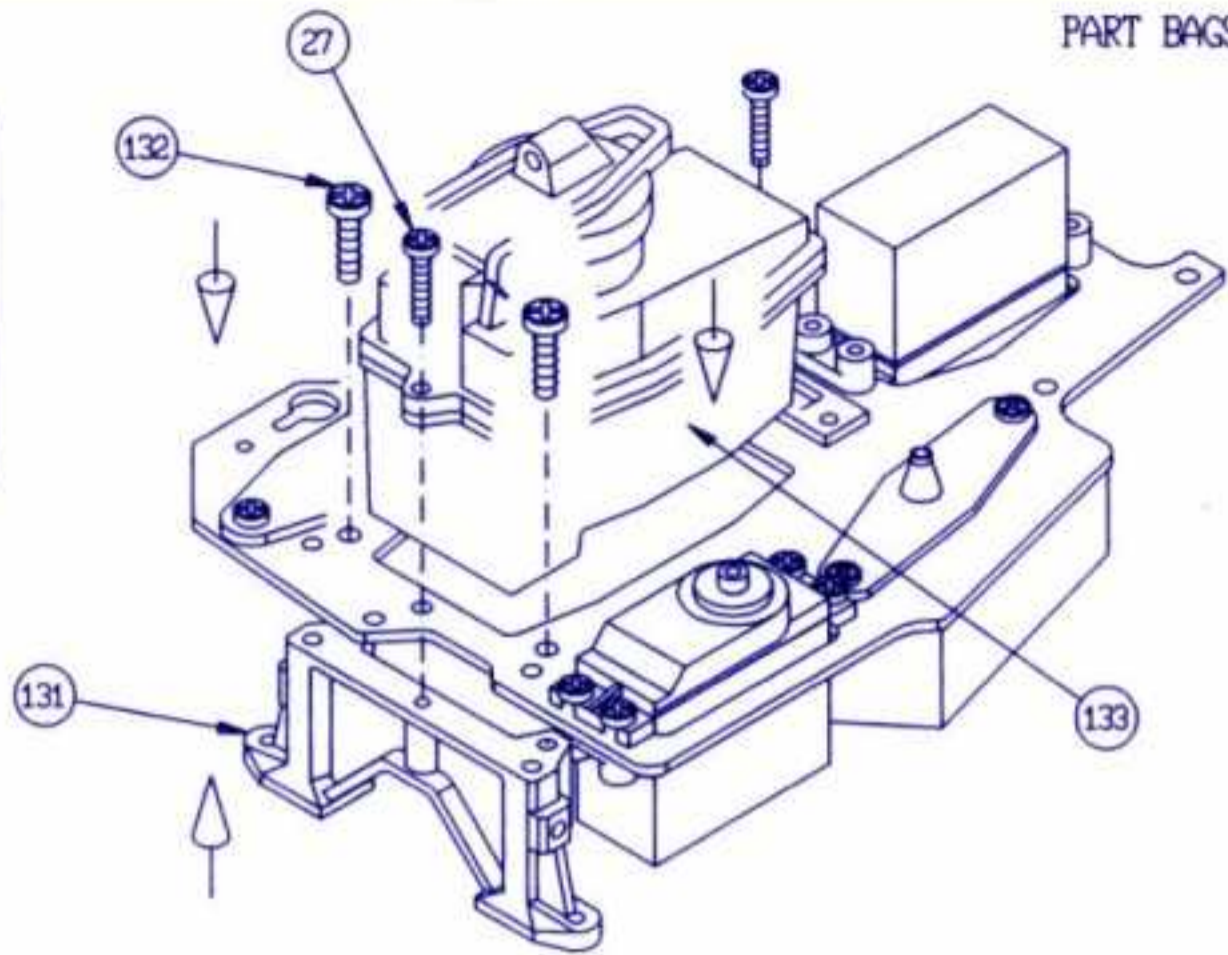
PART BAGS H

132  X2

RHT M3.5*10

27  X2

RHT M3*12



SMALL PARTS

PART BAGS H

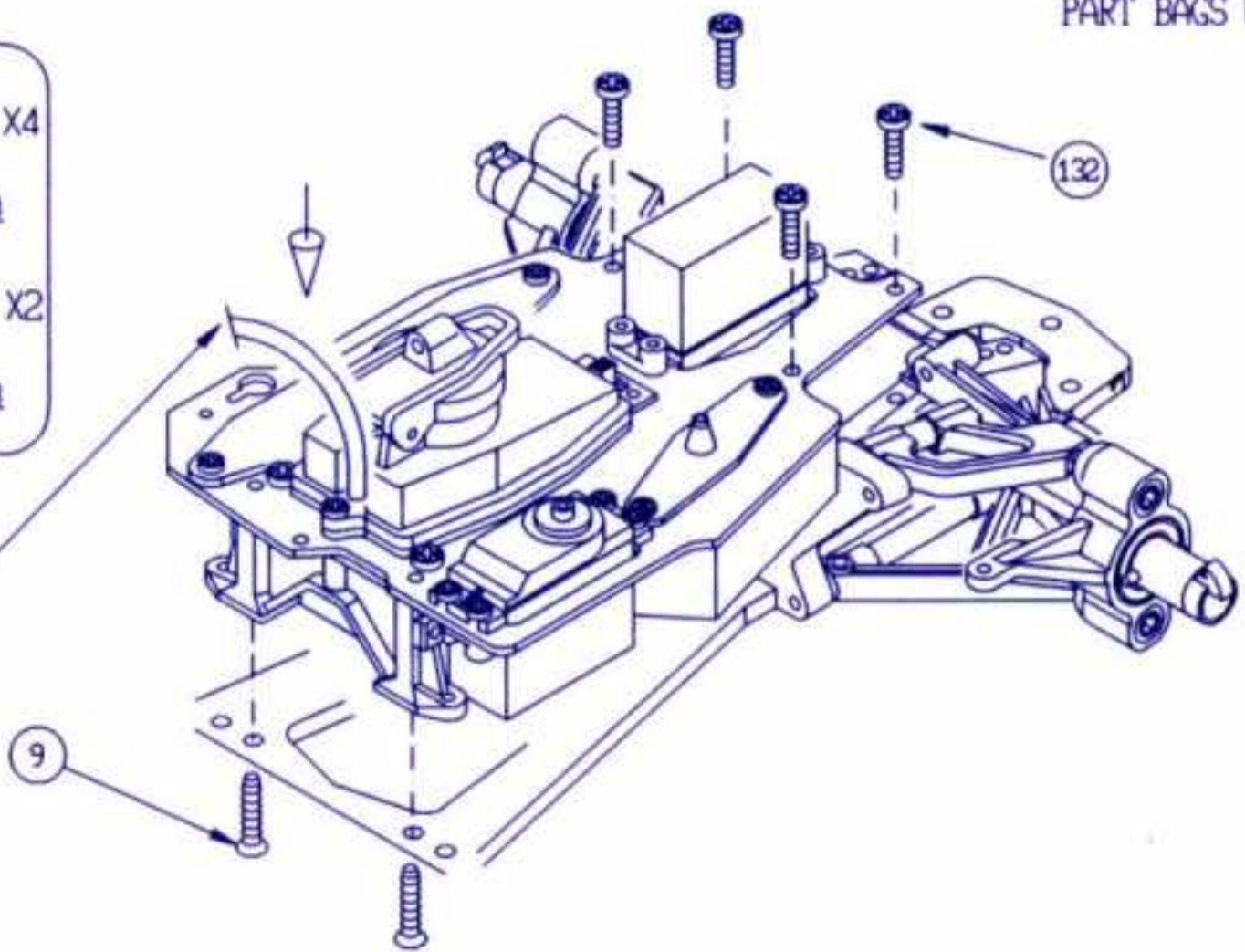
132  X4

RHT M3.5*10

9  X2

FHT M3.5*13

TO ENGINE



SMALL PARTS

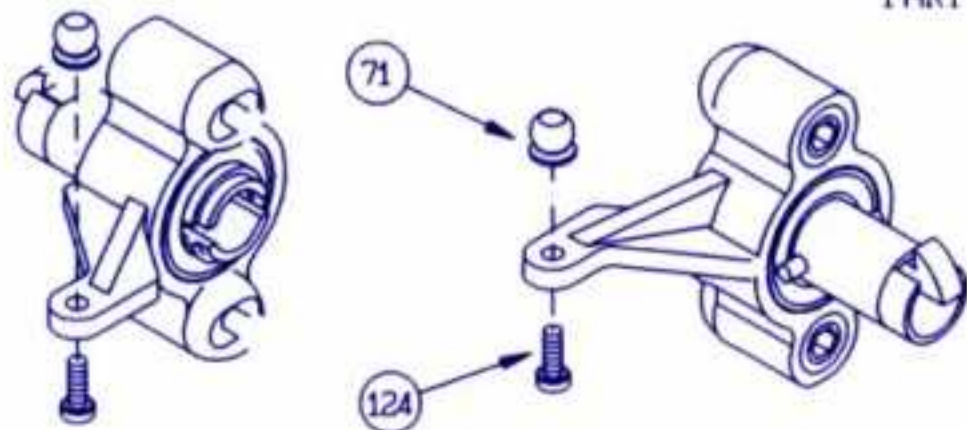
PART BAGS I

71  X2

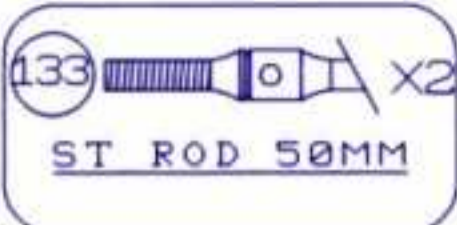
RHB M3*8

124  X2

ST RODBALL 5.8MM

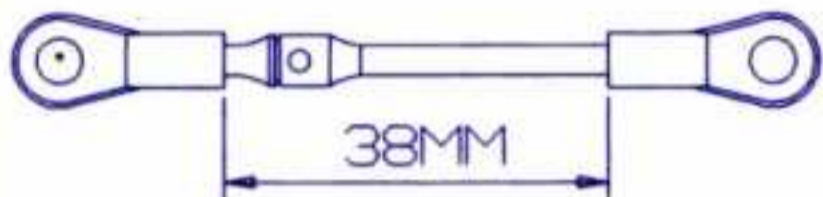
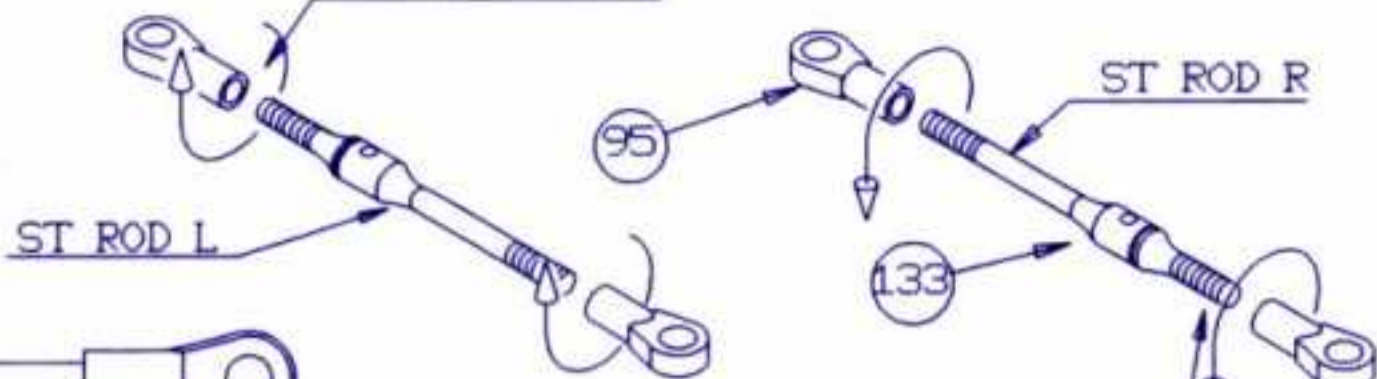


SMALL PARTS



TRUN LEFT

PART BAGS I



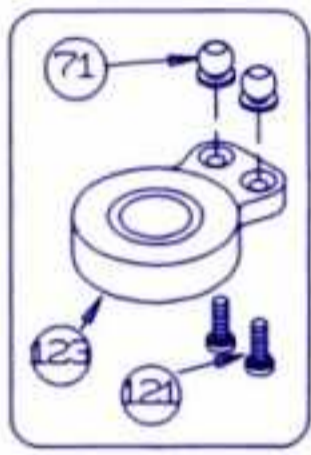
95 (C) PARTS

TRUN LEFT

SMALL PARTS

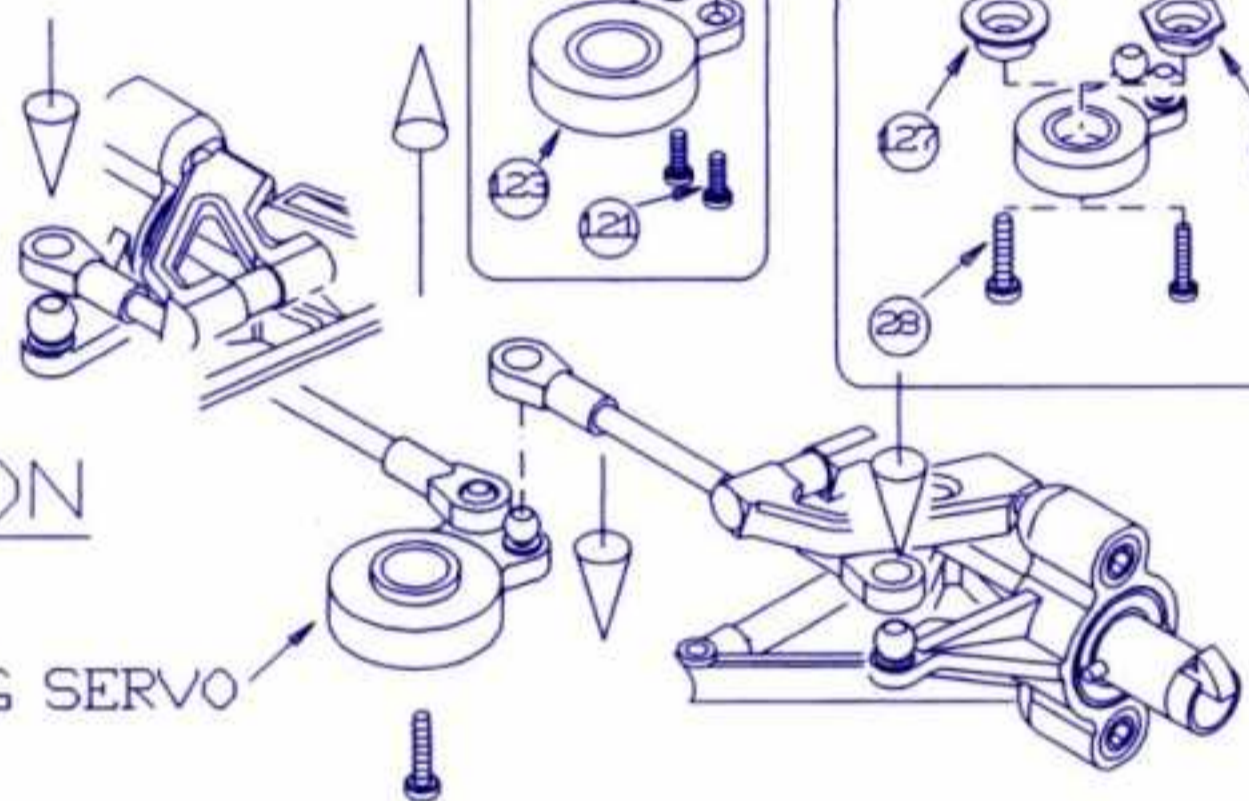


PART BAGS I

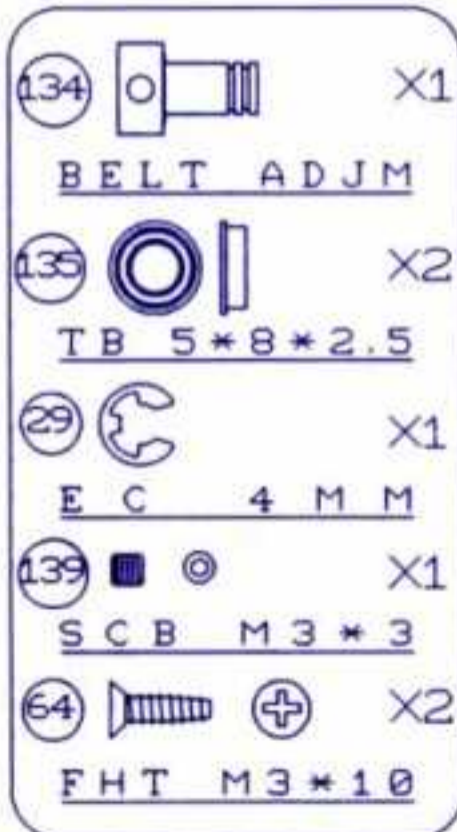


SWITCH ON

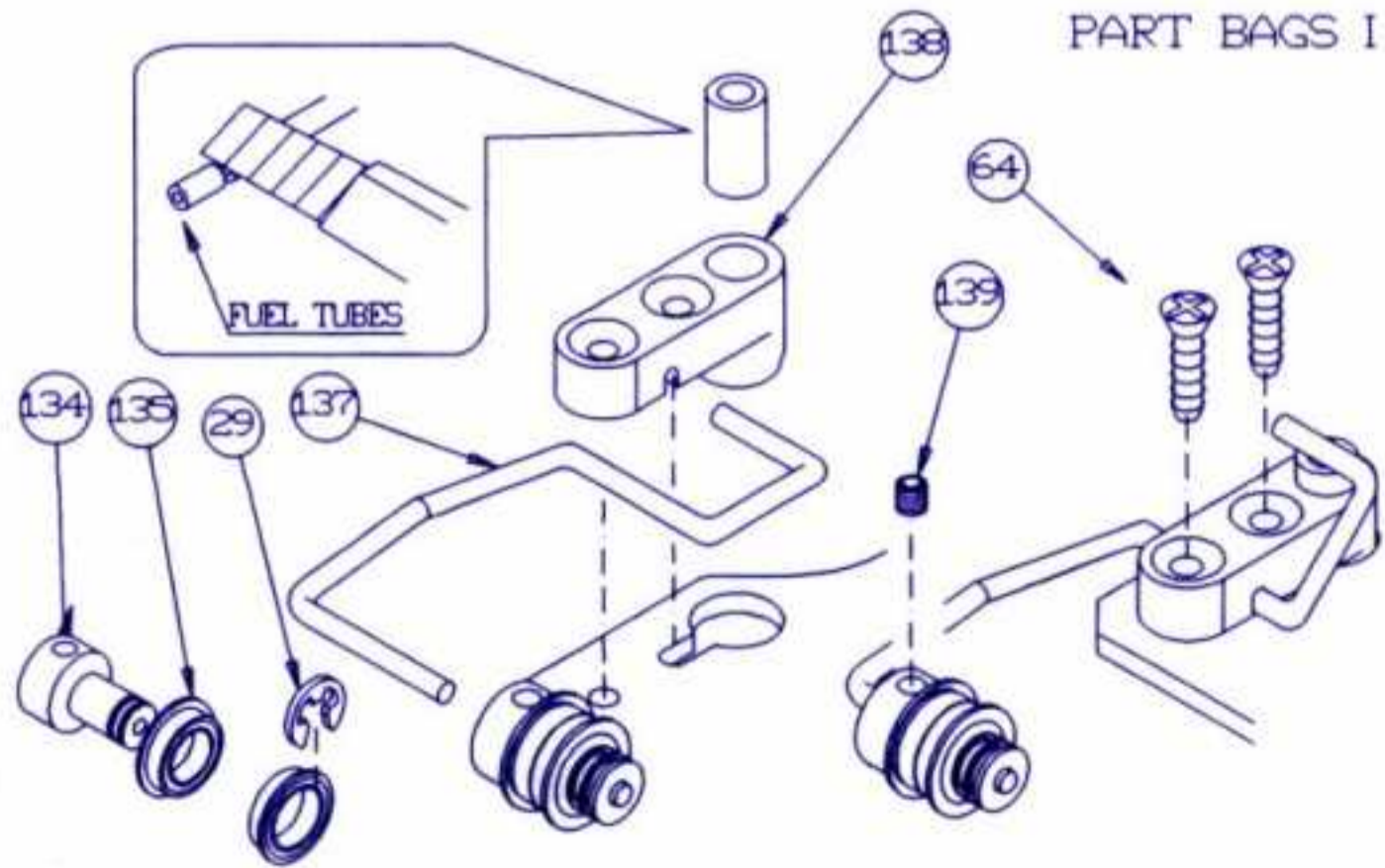
TO STEERING SERVO



SMALL PARTS






PART BAGS I

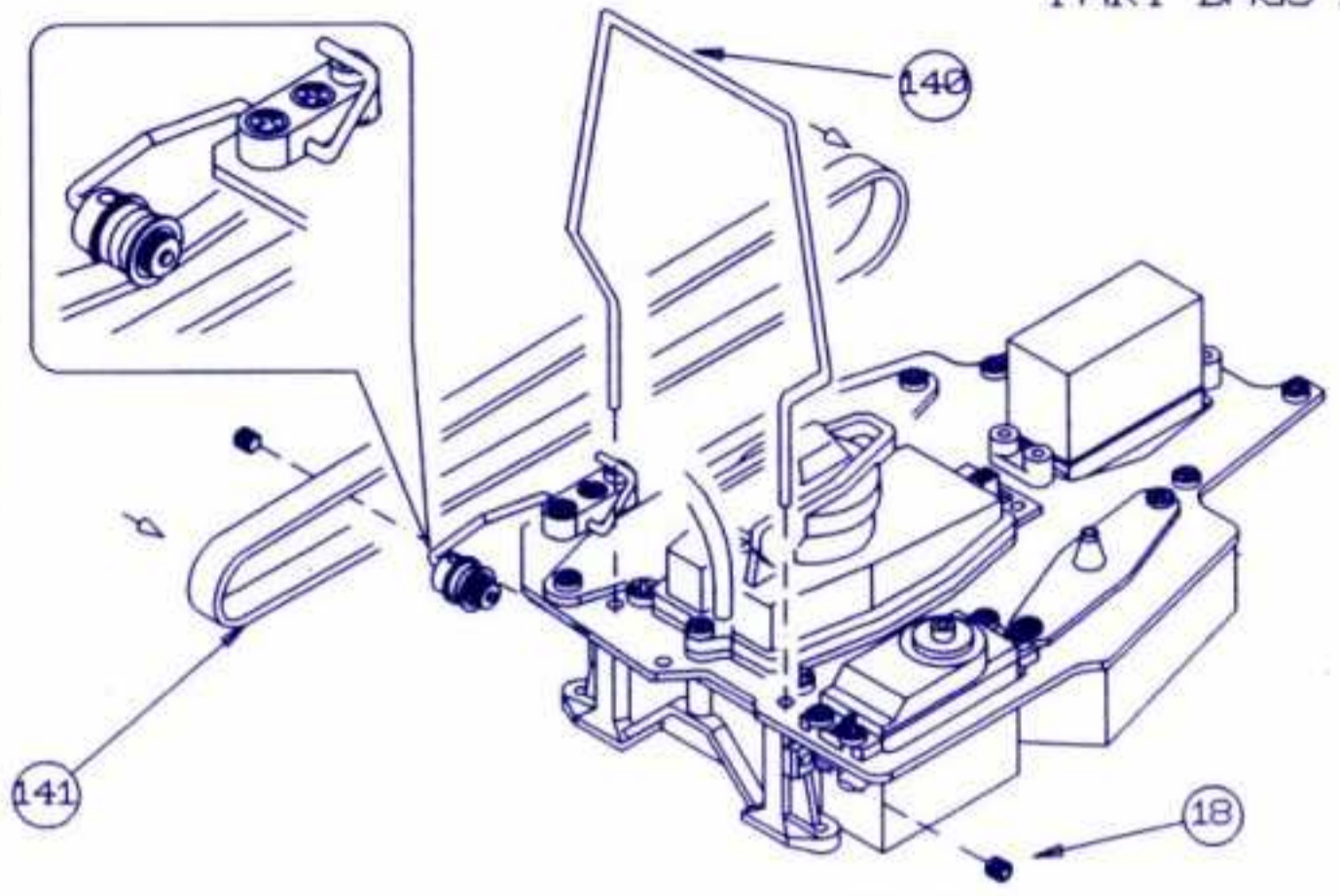


SMALL PARTS

PART BAGS I



(18)   X2
S C B M 4 * 4

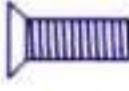

(141)  X1
BELT M4 384MM

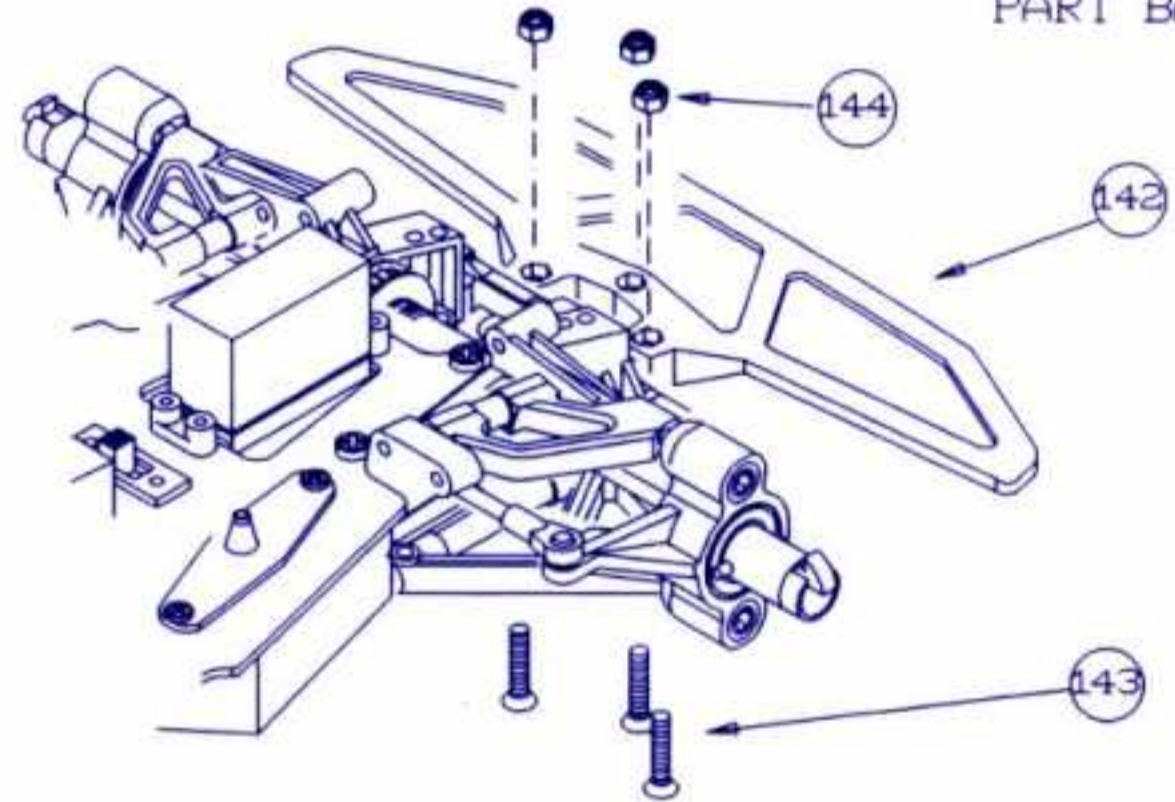


SMALL PARTS

PART BAGS J



(144)   X3
M 4 N Y N

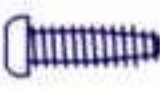

(143)   X3
F H B M 4 * 12

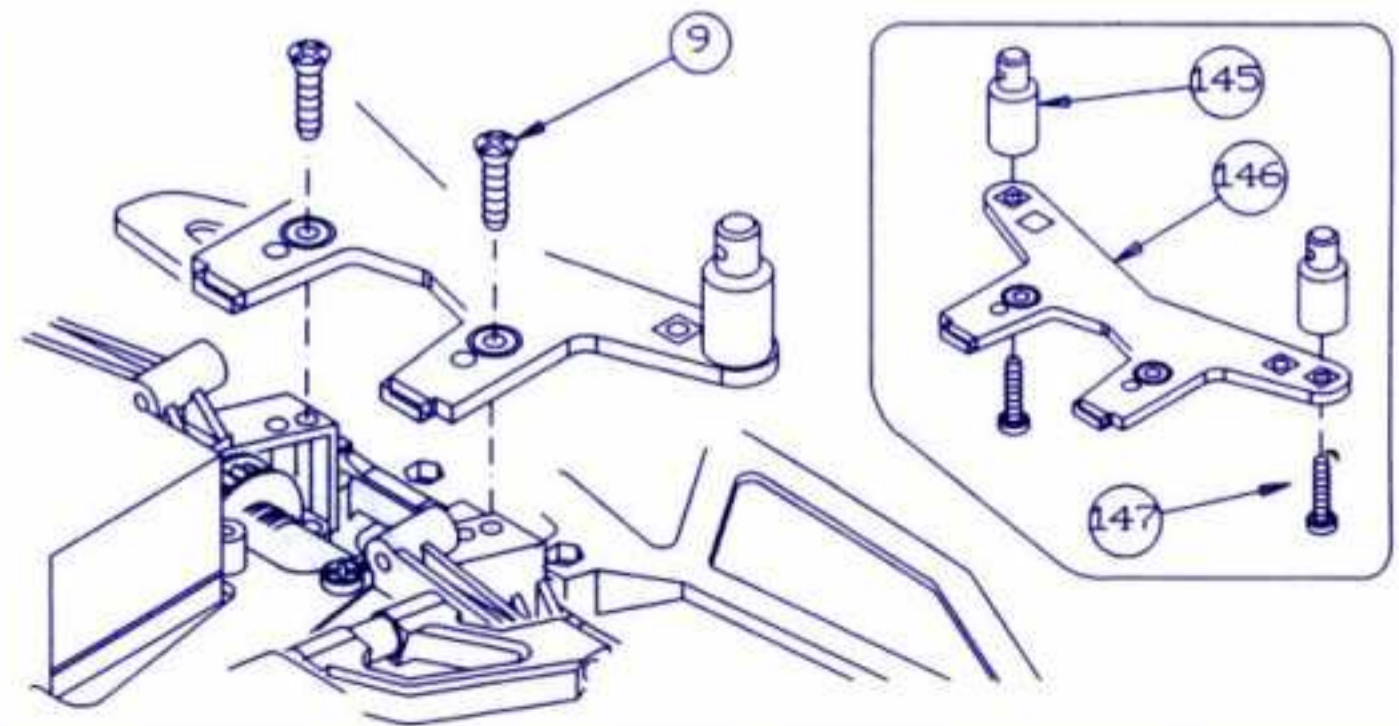


SMALL PARTS

PART BAGS J













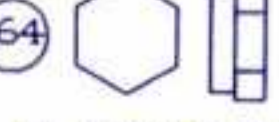
  X2
F H T M 3.5 * 13

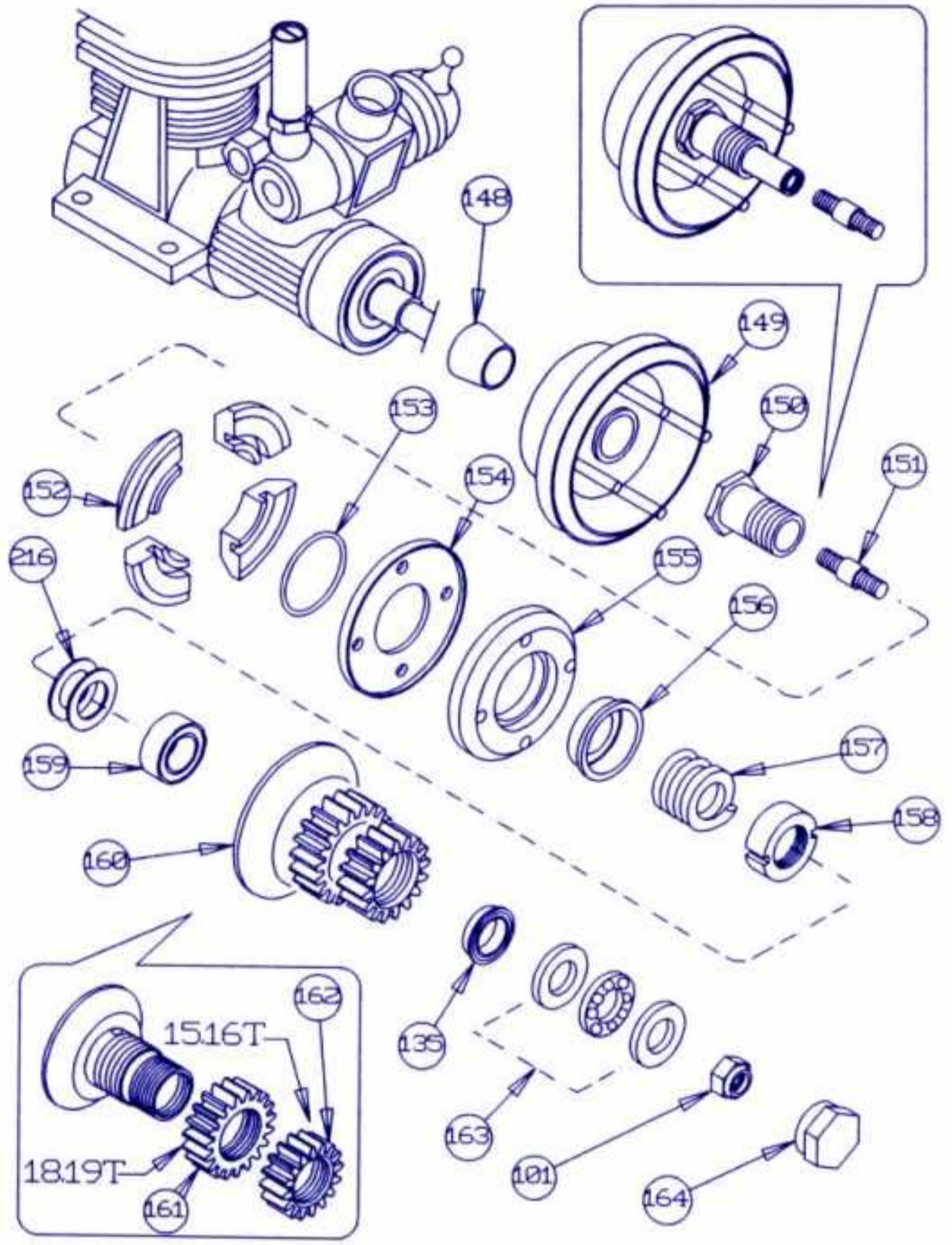
  X2
R H T M 4 * 12



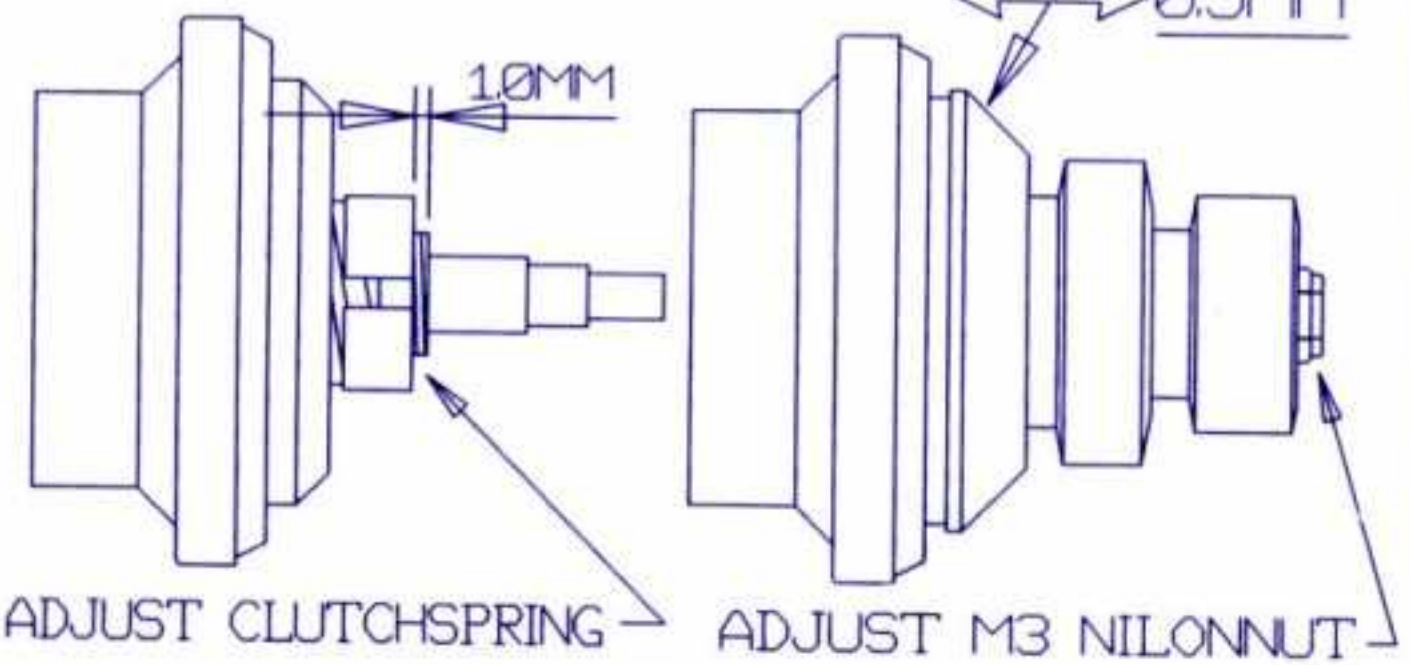
SMALL PARTS

PART BAGS K

- 
X1
ENGINE ADAPTER
- 
X1
ENGINE NUT
- 
X1
DOUBLE SCREW
- 
X1
SPRING 1.6MM
- 
X1
SPRING CUP
- 
X1
CLUTCH SPRING
- 
X1
CLUTCH ADJ NUT
- 
X2
W S 5 M M
- 
X1
BB 5*10*4
- 
X1
TB 5*8*2.5
- 
X1
TRU-BB 4*9*4MM
- 
X1
M 3 N Y N
- 
X1
AL BERING COVER



OPTION





ADJUST CLUTCHSPRING

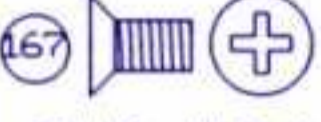
ADJUST M3 NILONNUT

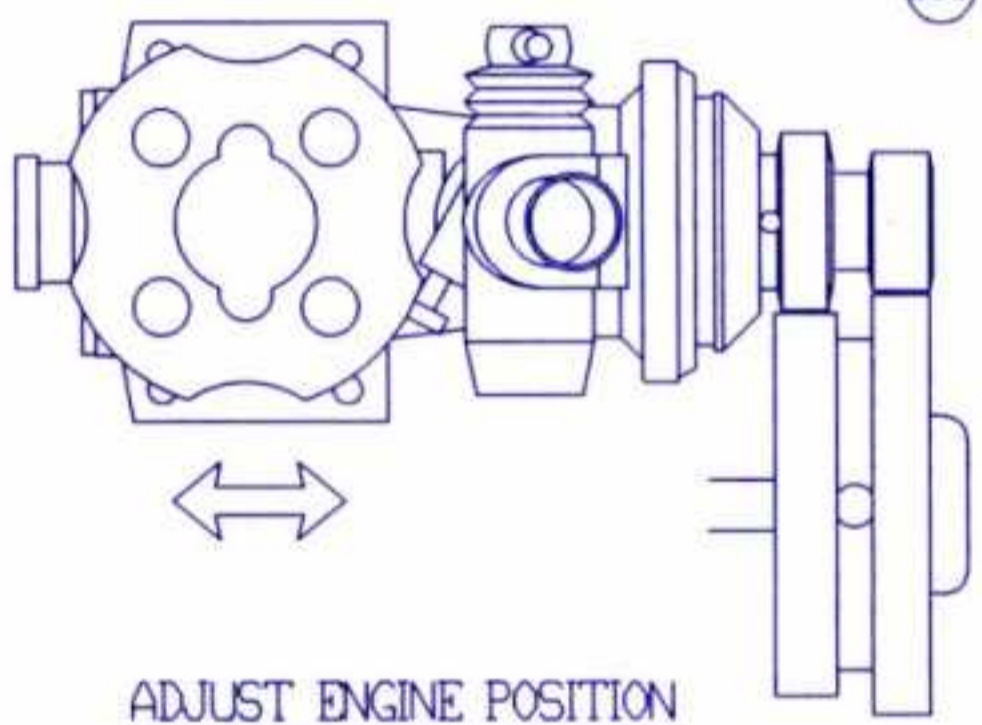
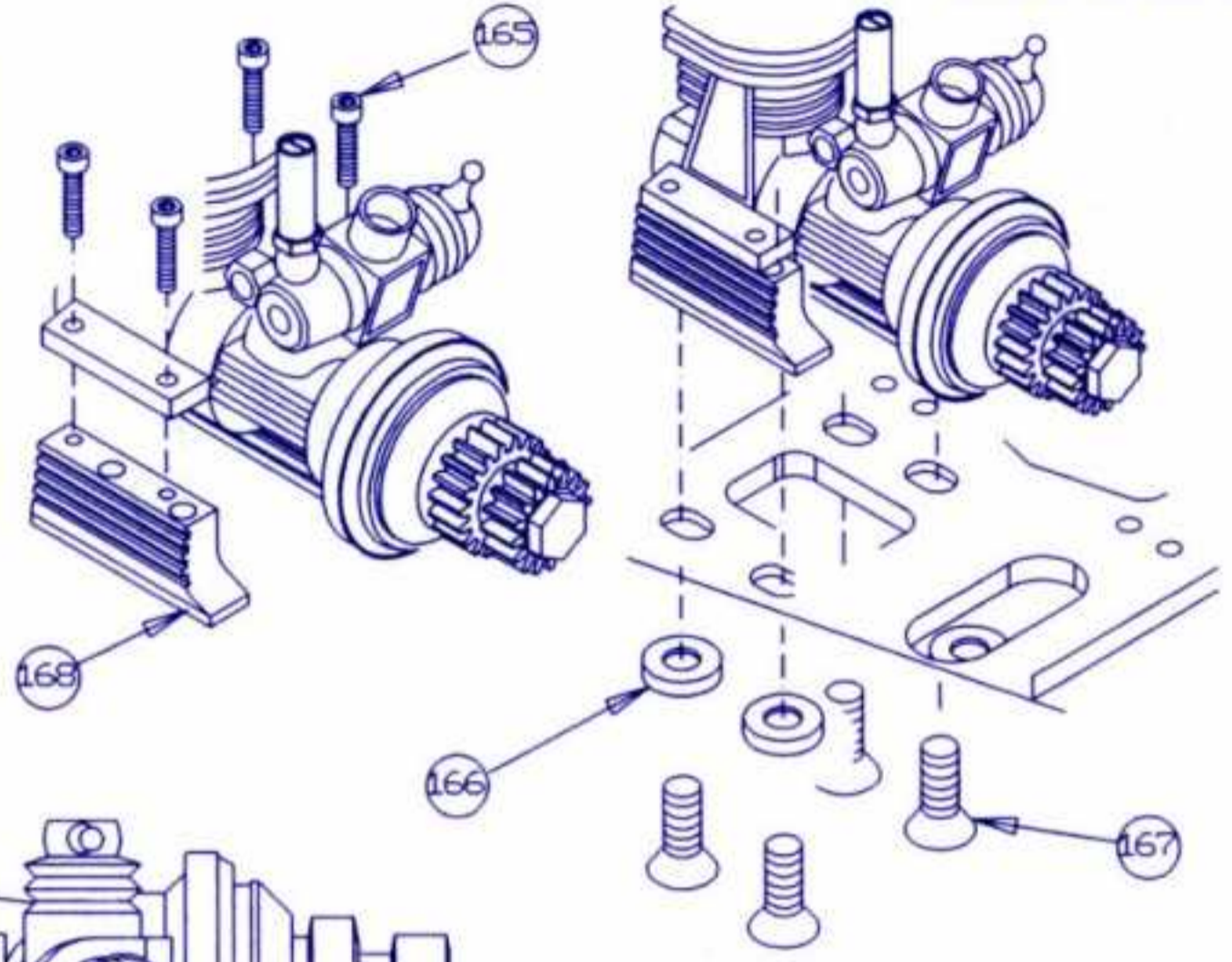
SMALL PARTS

PART BAGS L

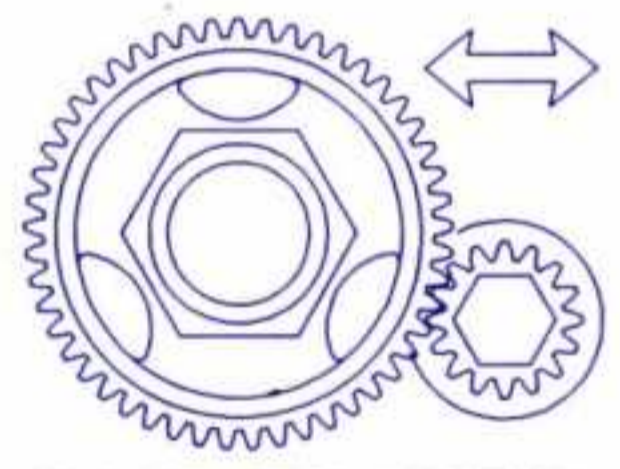
165  X4
C B M 3 * 1 2

166  X4
A L W S 5 M M

167  X4
F H B M 5 * 1 0



ADJUST ENGINE POSITION

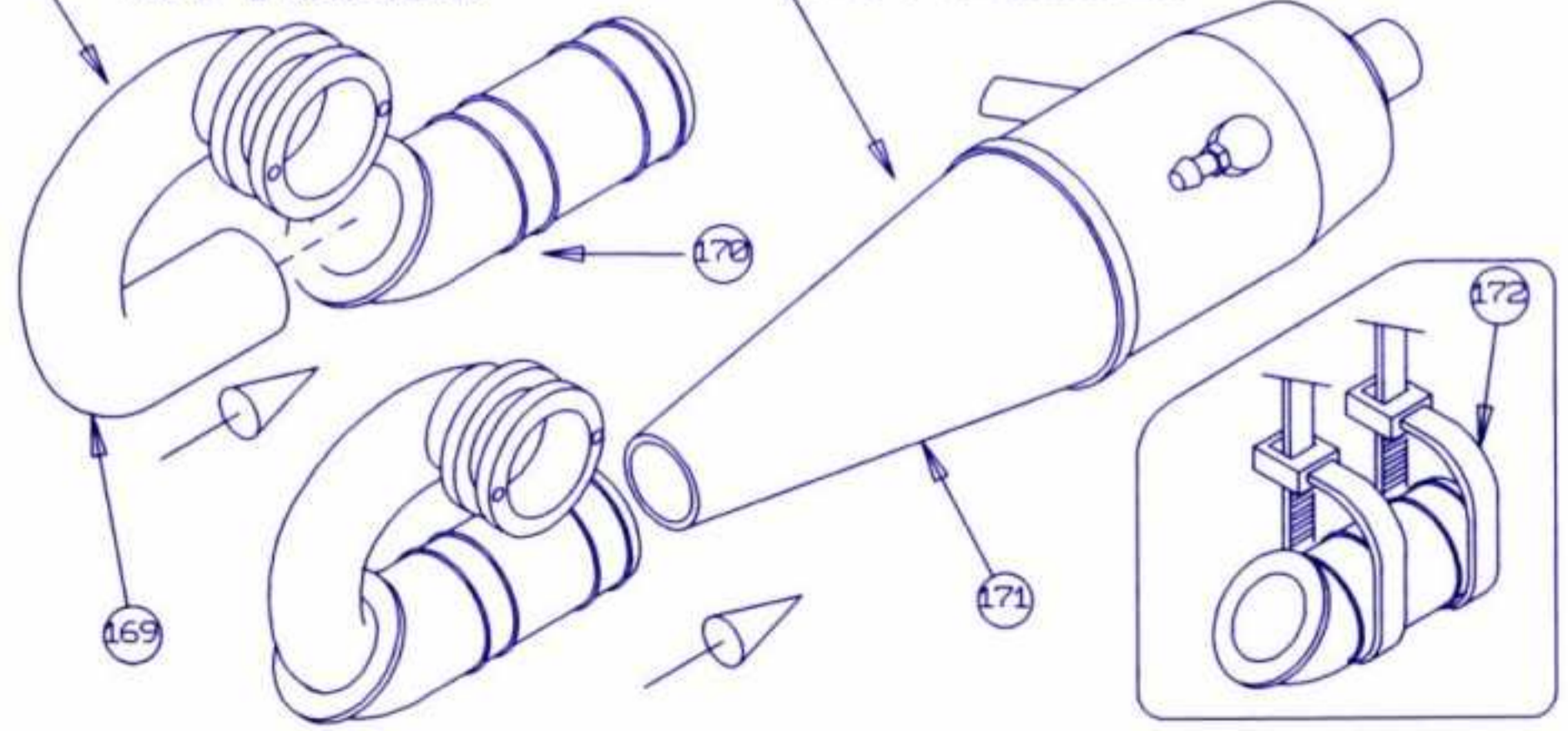


ADJUST GEAR POSITION

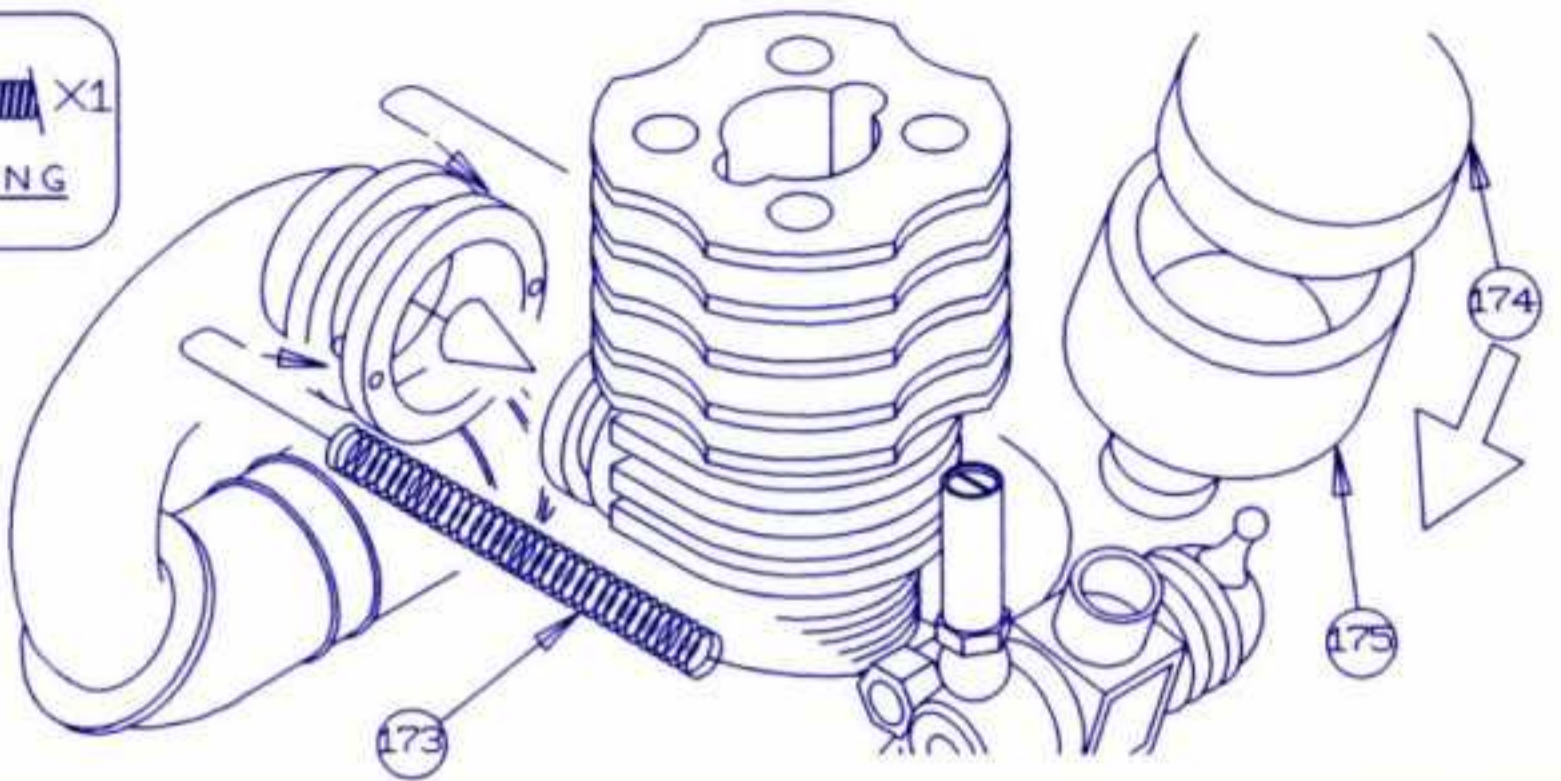
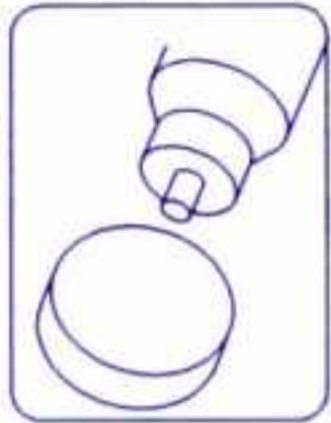
NOT INCLUDED

NOT INCLUDED

PART BAGS M

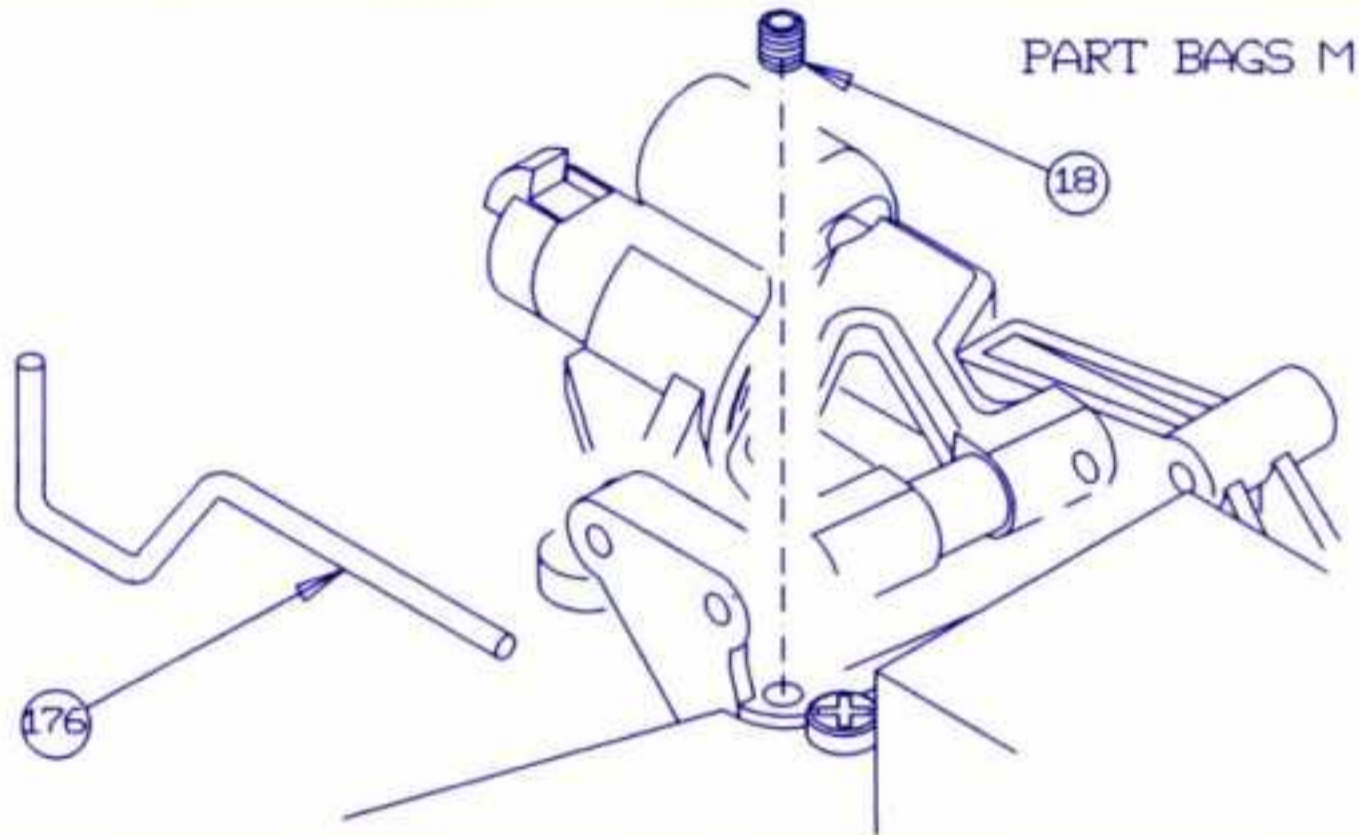
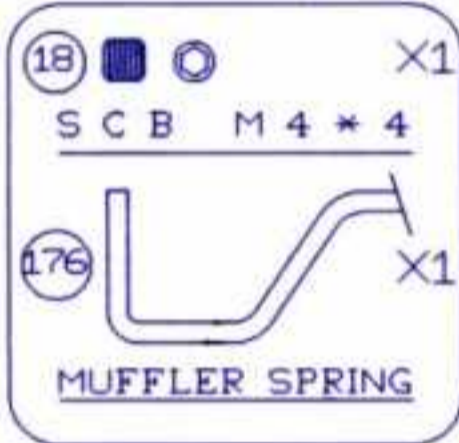


SMALL PARTS



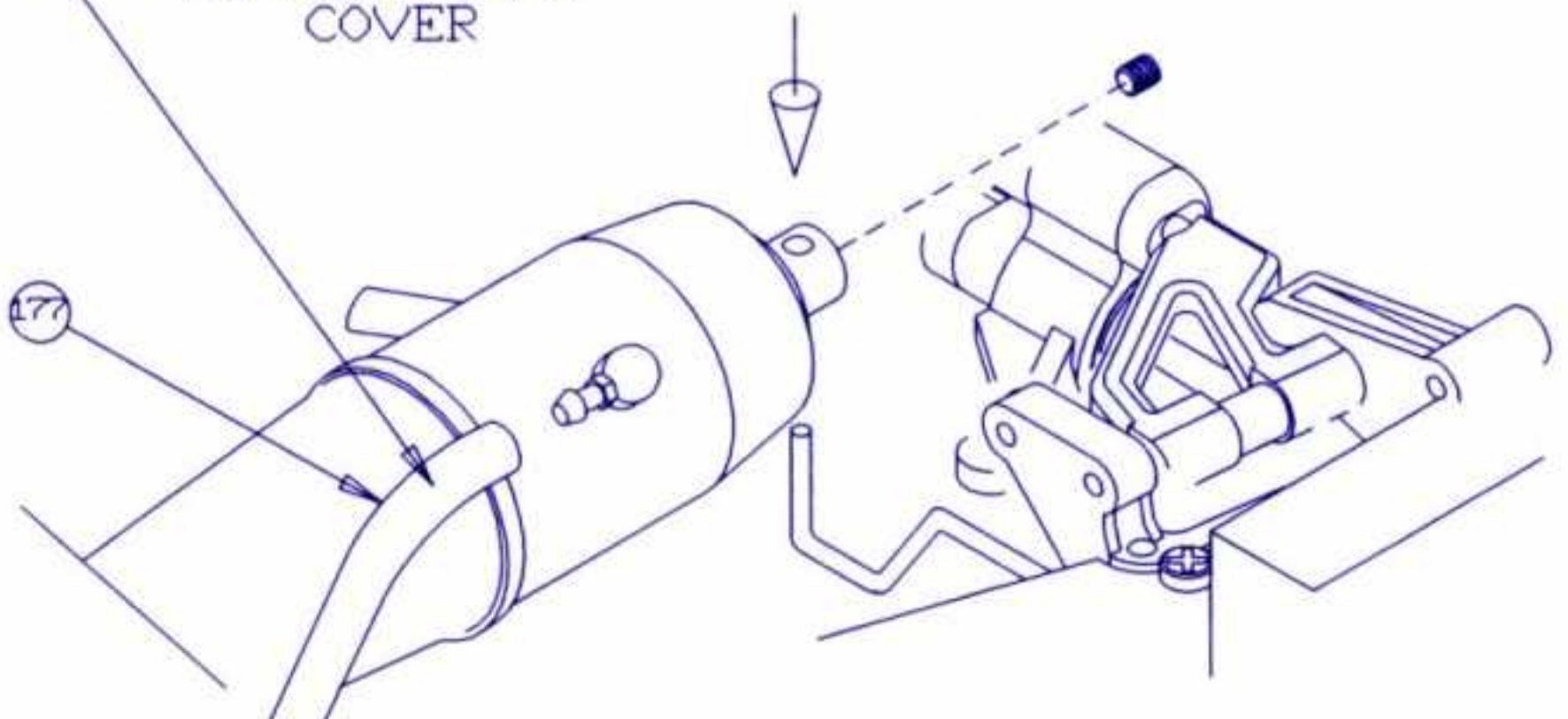
PART BAGS M

SMALL PARTS




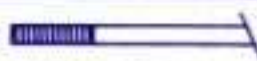

PART BAGS M

TO FUEL TANK COVER

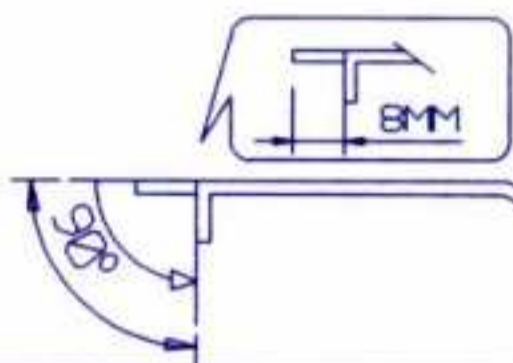


PART BAGS M

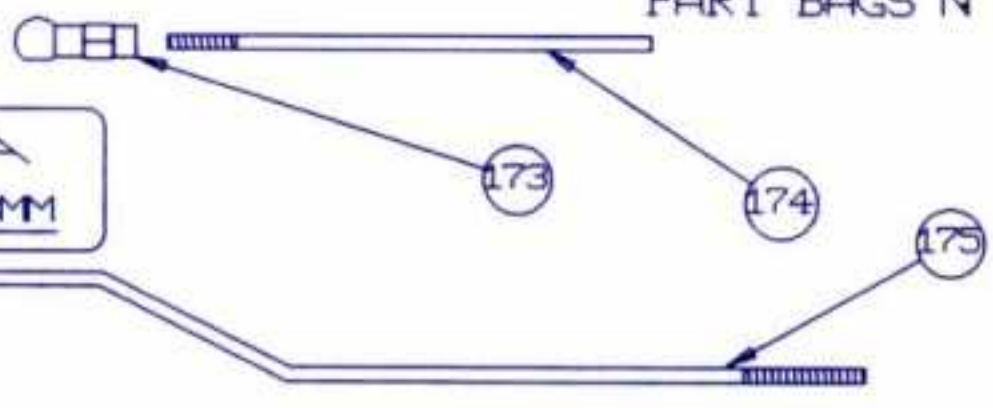
SMALL PARTS

- (173)  X1
TH ROD BALLEND
- (174)  X1
THROTTLE ROD
- (175)  X1
BRAKE ROD




(173) (B) PARTS



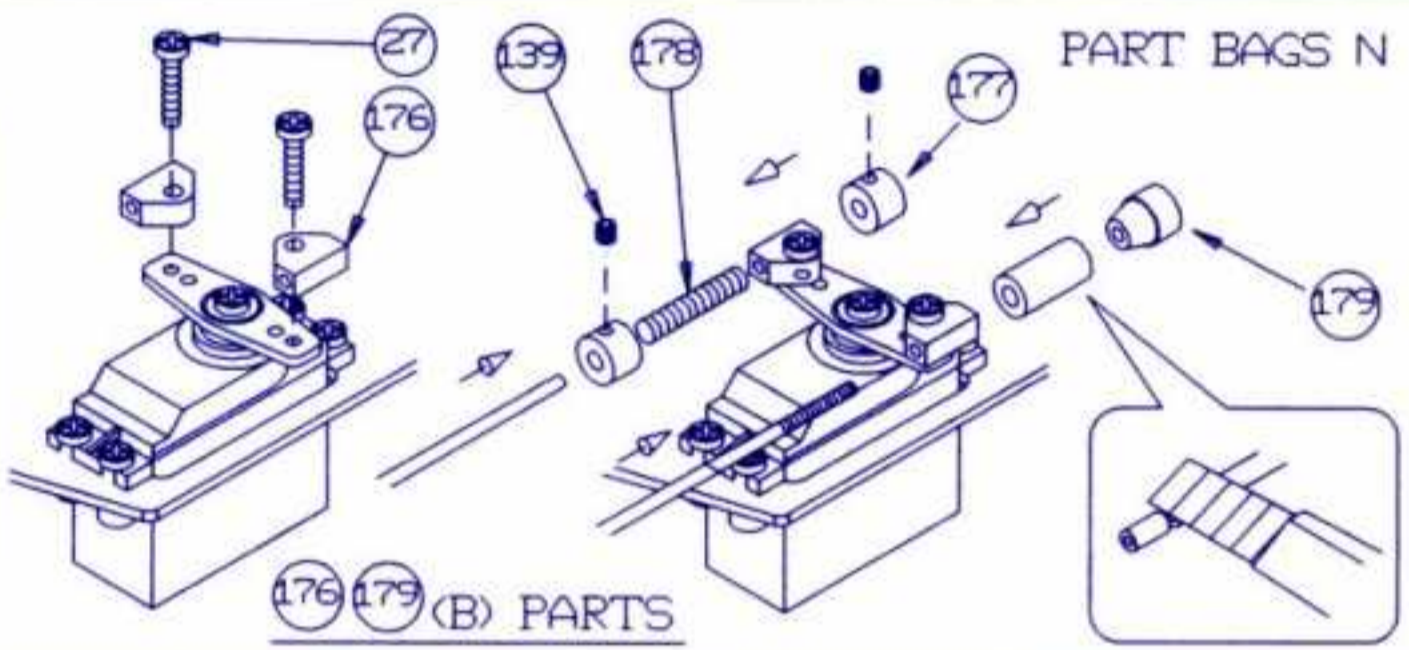
PART BAGS N



SMALL PARTS



- (27)  X2
RHT M3*12
- (177)  X2
STOPPER 2MM
- (139)  X2
SCB M3*3

PART BAGS N

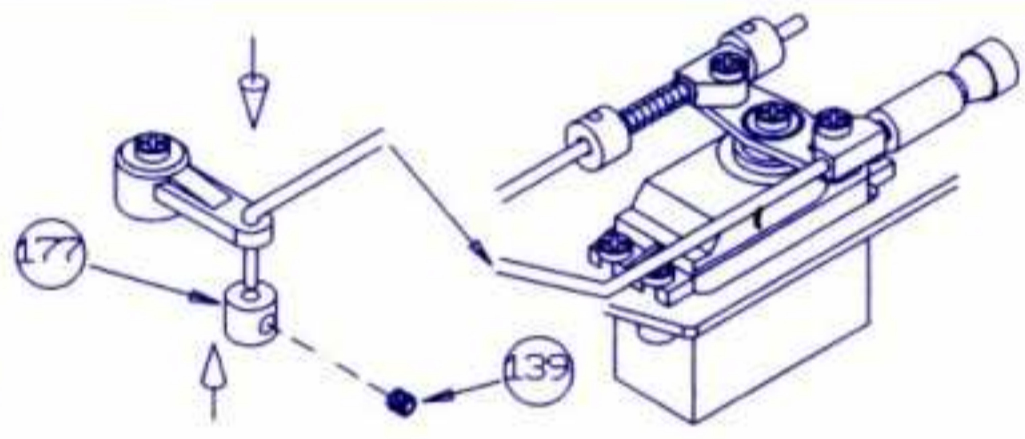


(176) (179) (B) PARTS

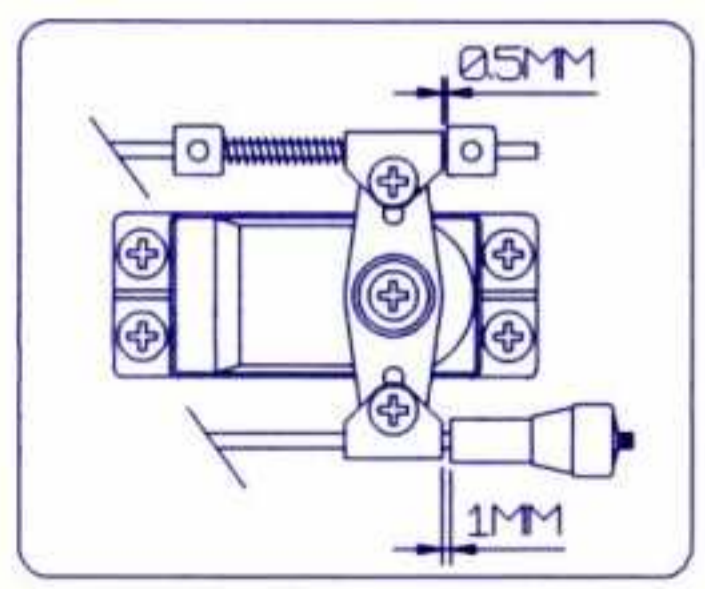
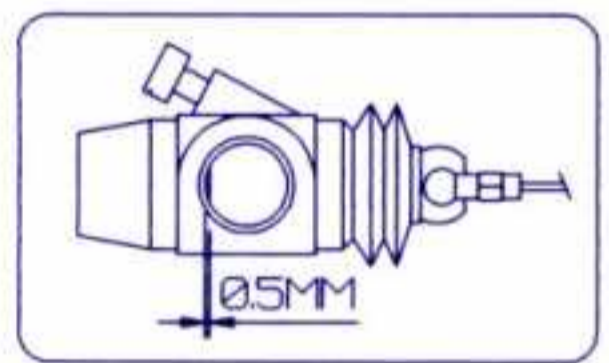
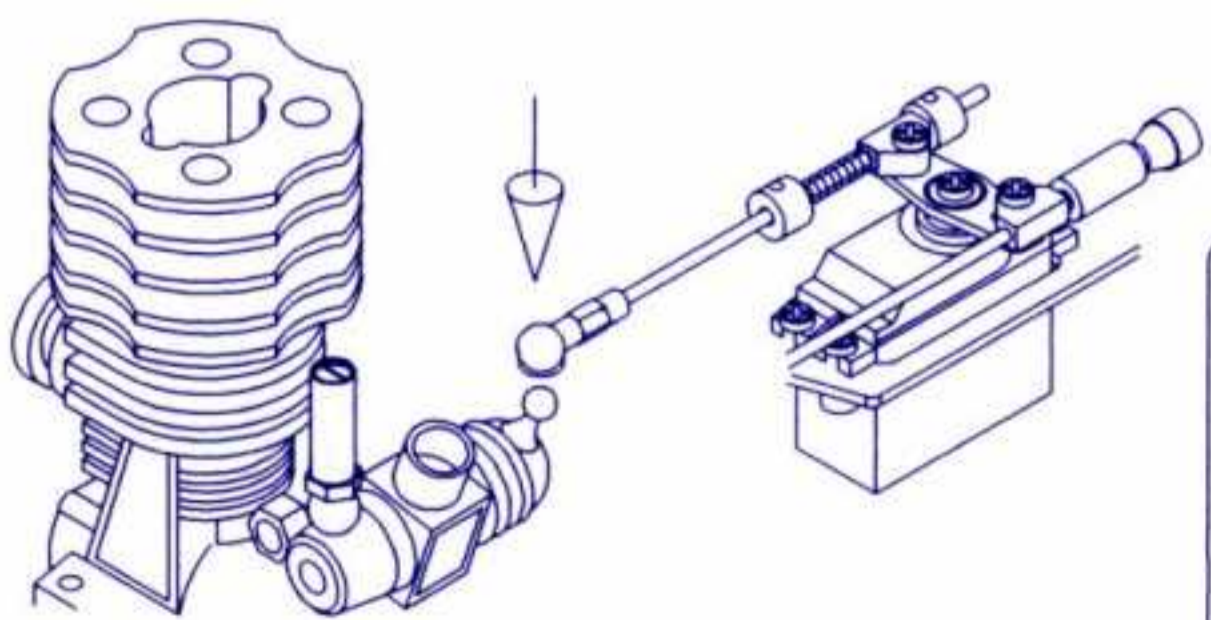
SMALL PARTS

- (177)  X1
STOPPER 2MM
- (139)  X1
SCB M3*3


PART BAGS N



SWITCH ON



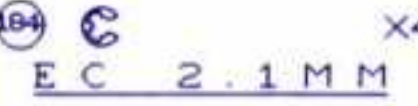
SMALL PARTS

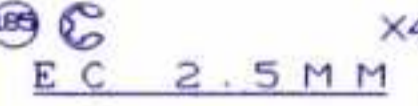
186  X2

FRONT DAMPERSHAFT

187  X2

REAR DAMPERSHAFT

184  X4
E C 2.1 M M

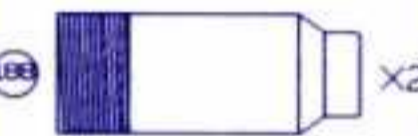
185  X4
E C 2.5 M M

186  X4

ADJ DAMPERRING

187  X2

FRONT DAMPER

188  X2

REAR DAMPER

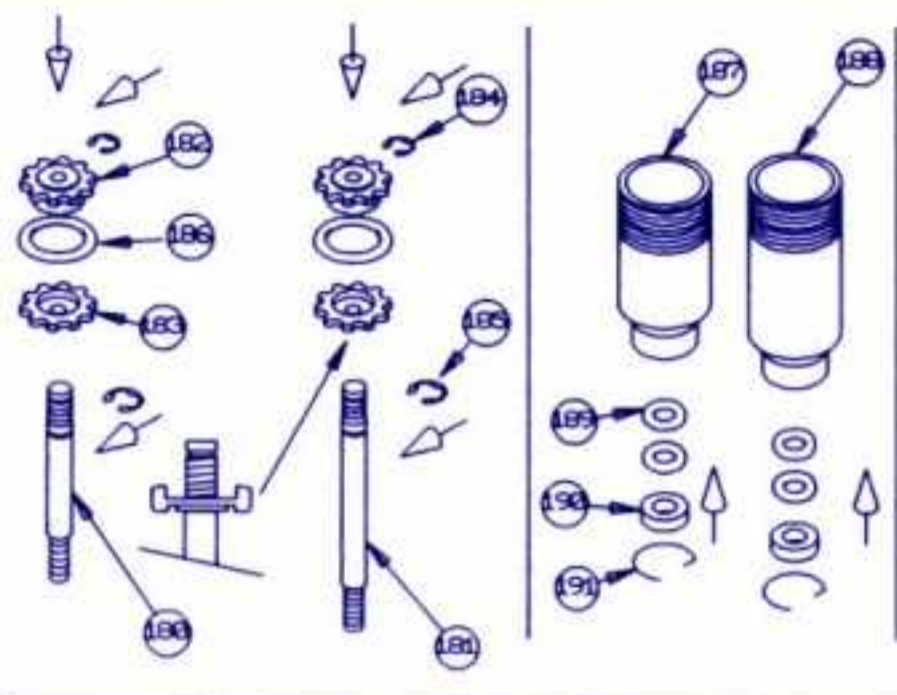
189  X8
DAMPER O RING

190  X4
DAMPER P RING

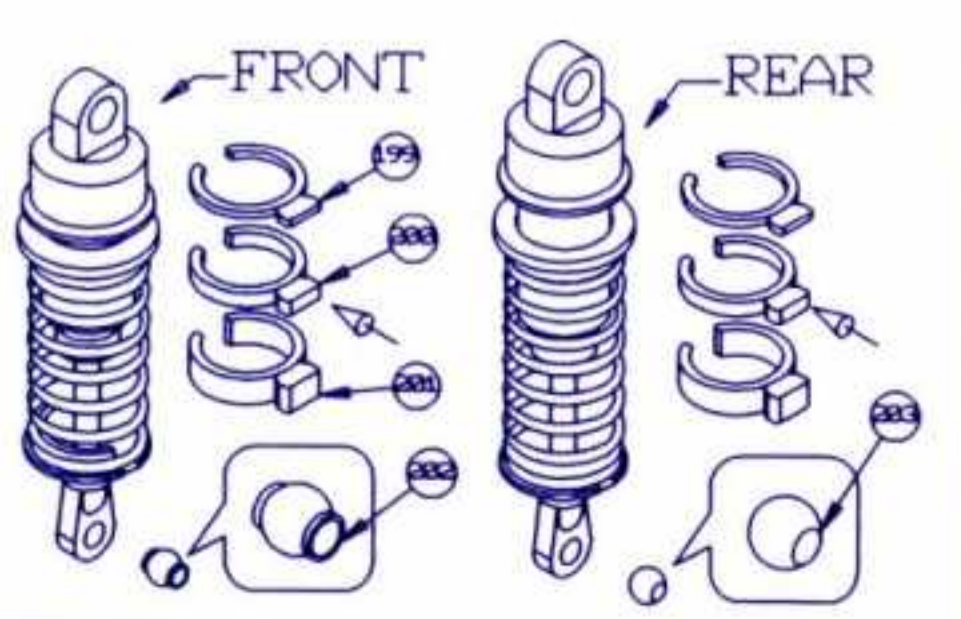
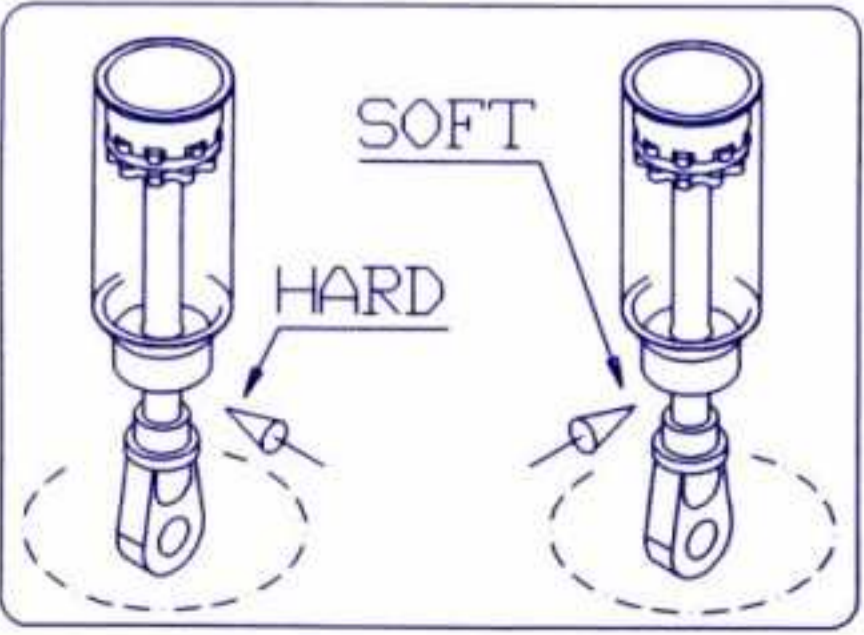
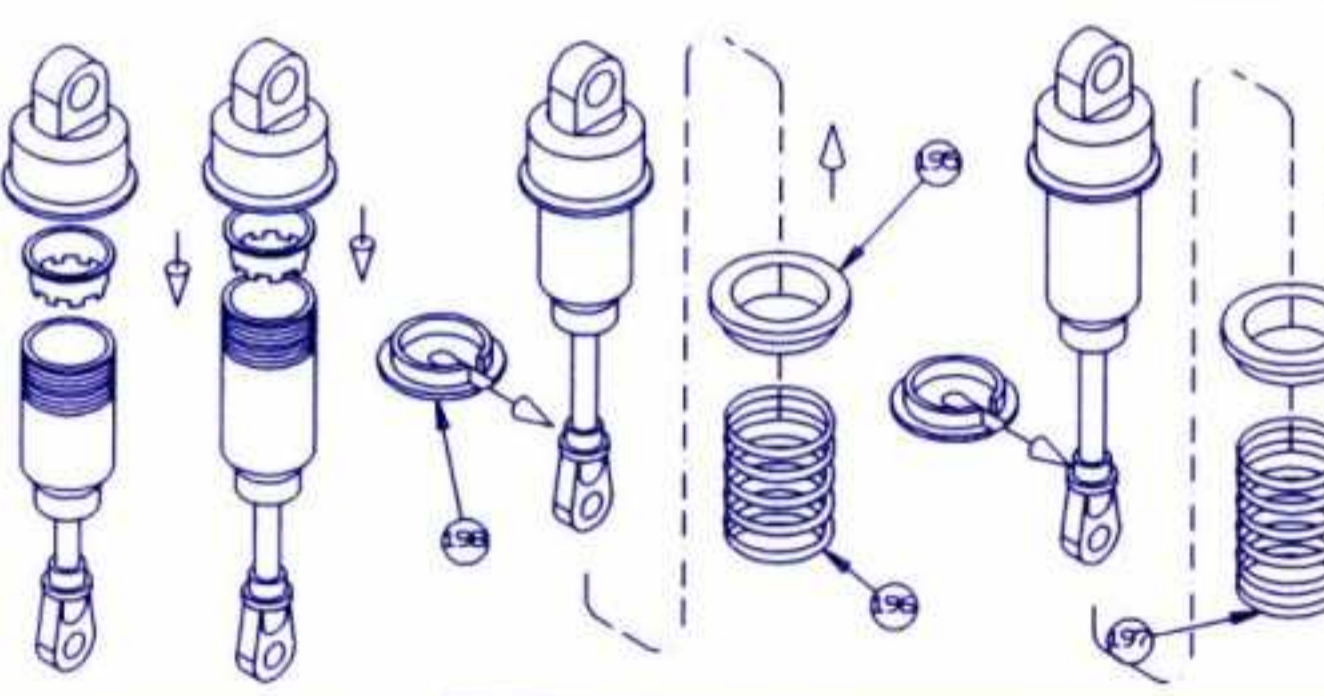
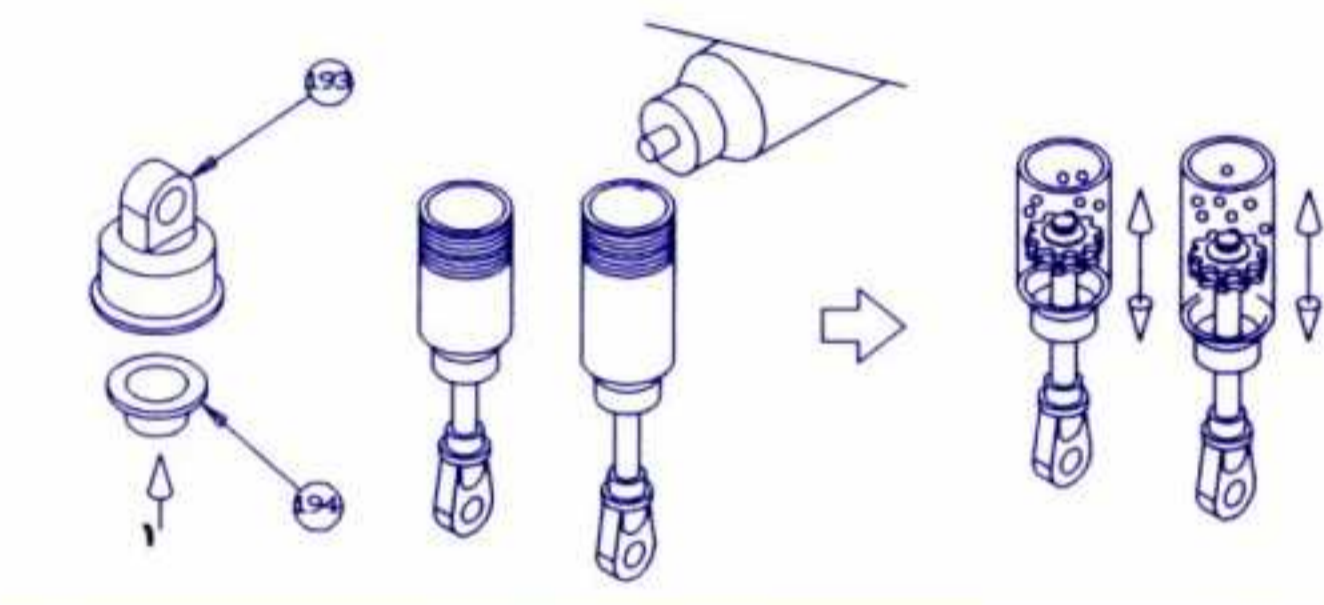
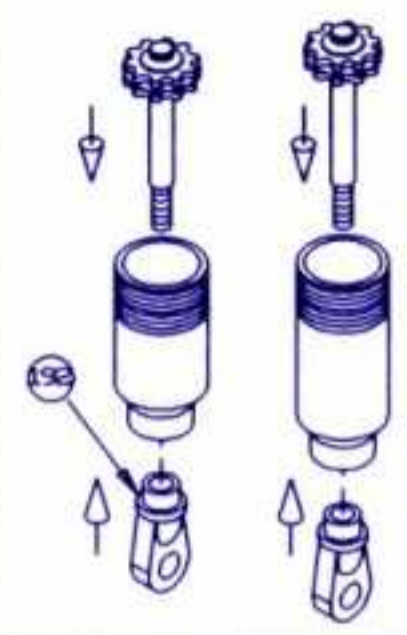
191  X4
DAMPER E RING

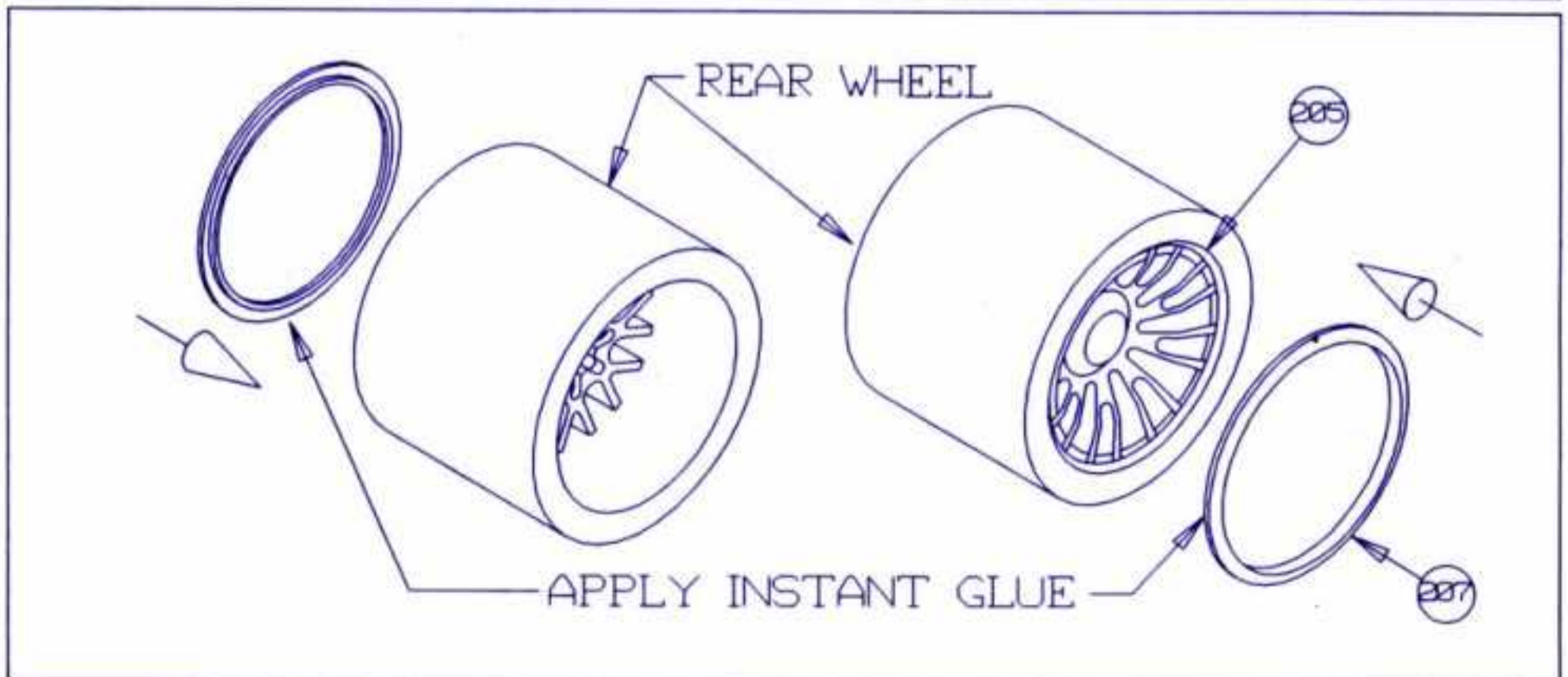
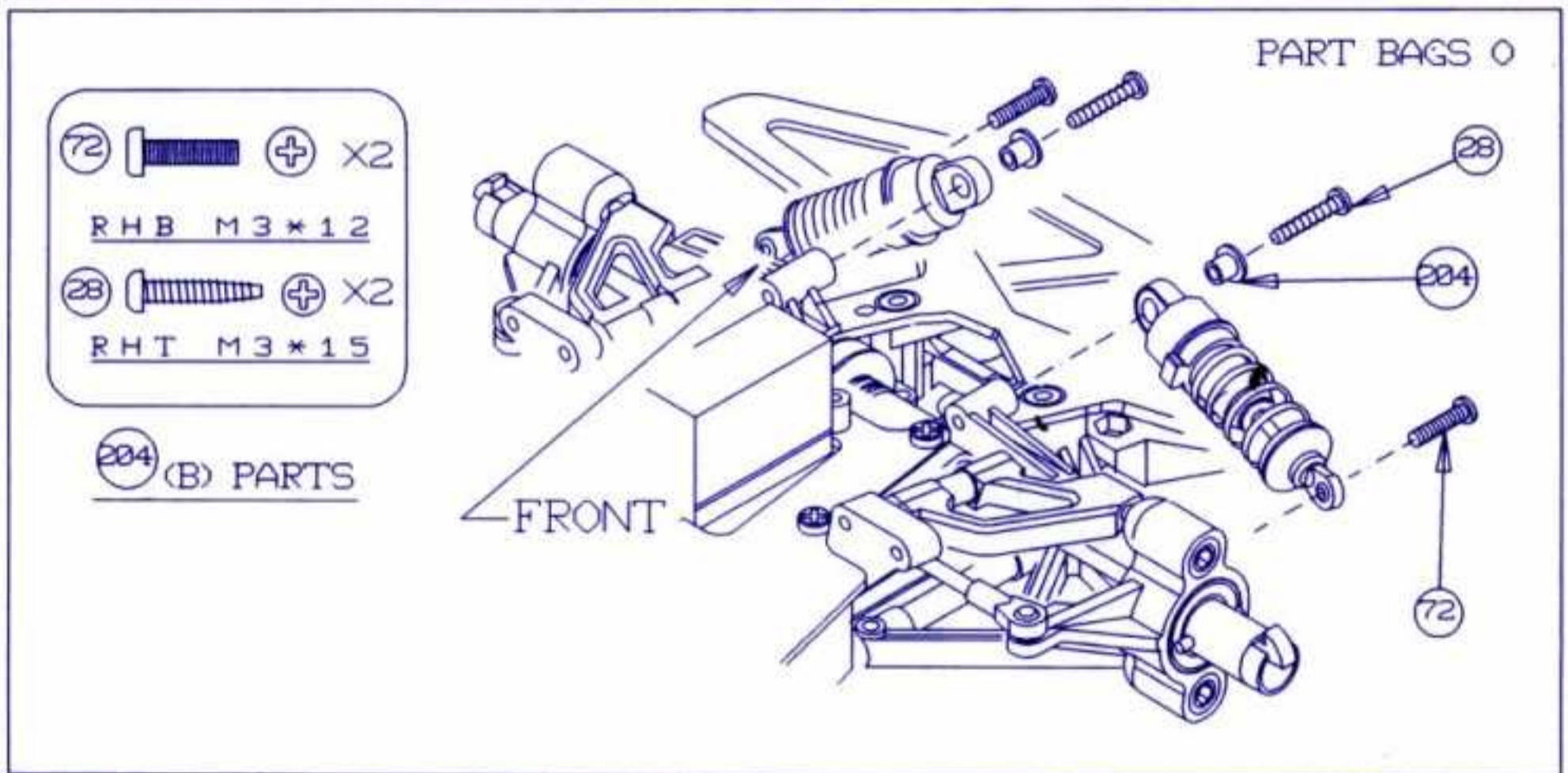
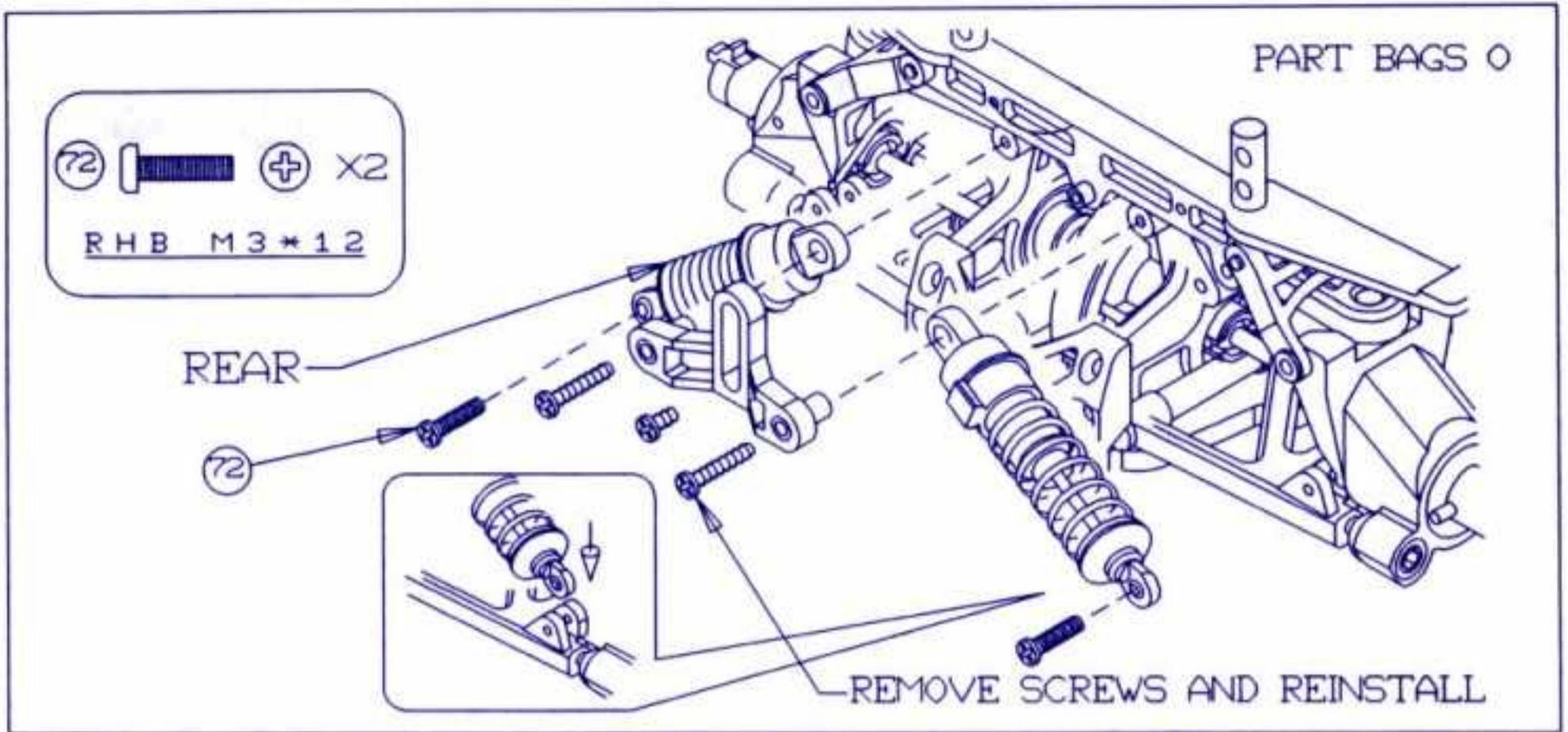
200  X2
F DAMPER BALLEND

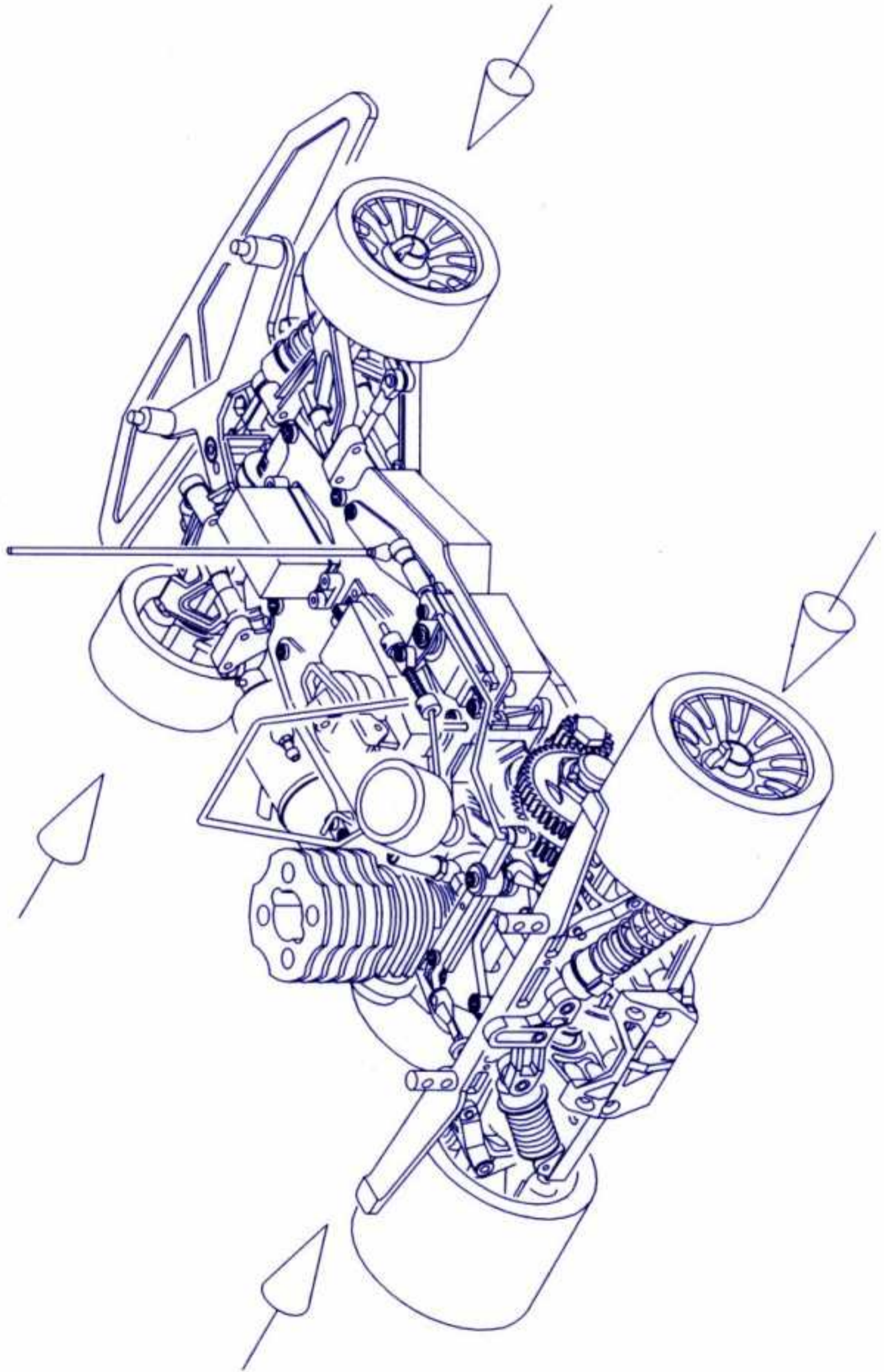
201  X2
R DAMPER BALLEND



PART BAGS 0

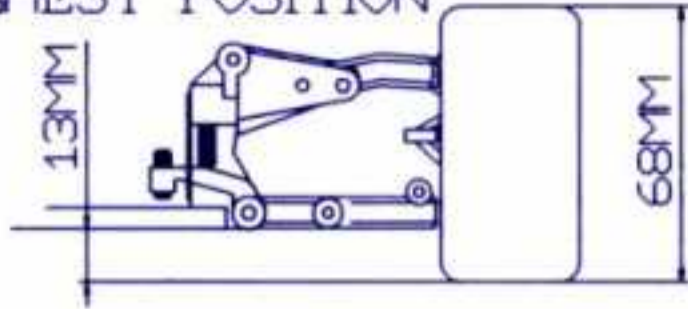




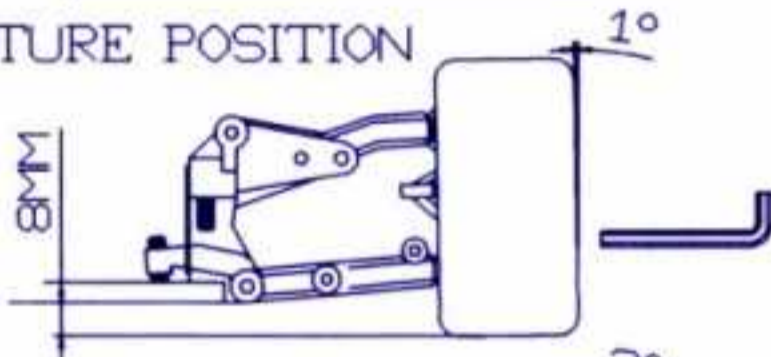


ADJUST FRONT CAMBER

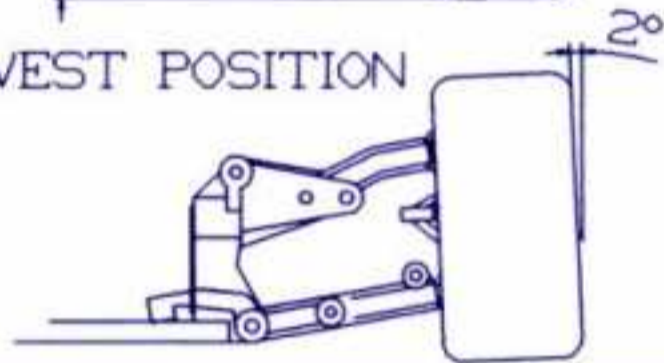
HIGHEST POSITION



NATURE POSITION

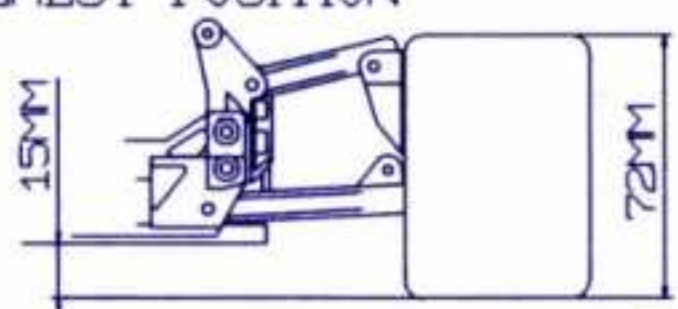


LOWEST POSITION

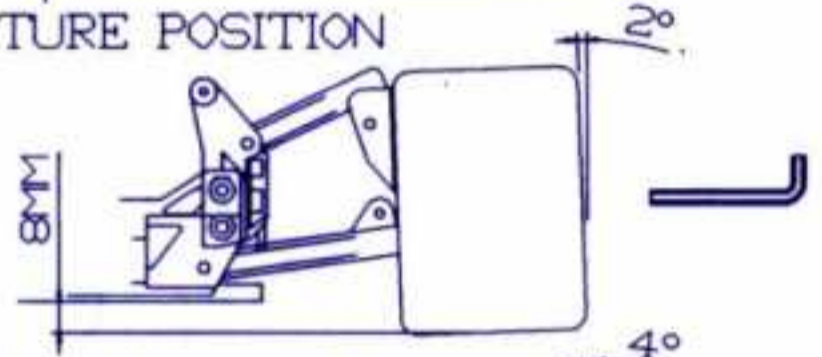


ADJUST REAR CAMBER

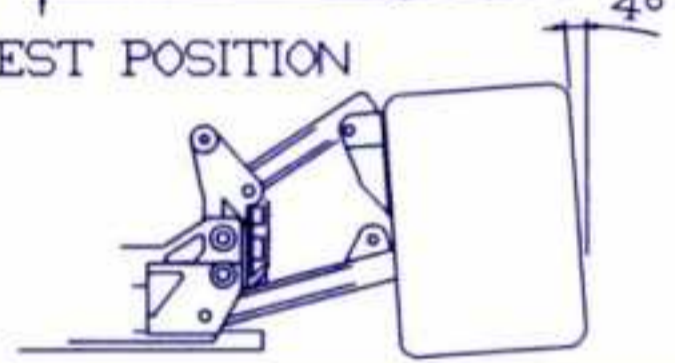
HIGHEST POSITION



NATURE POSITION

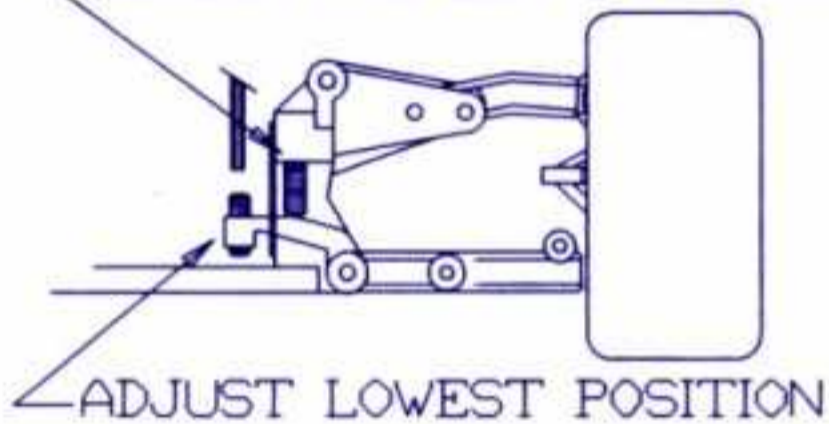


LOWEST POSITION

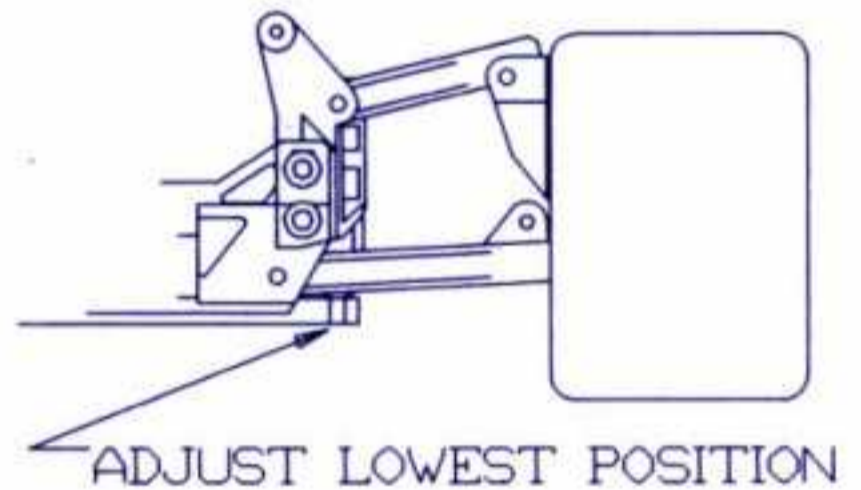


FRONT SUSPENSION POSITION

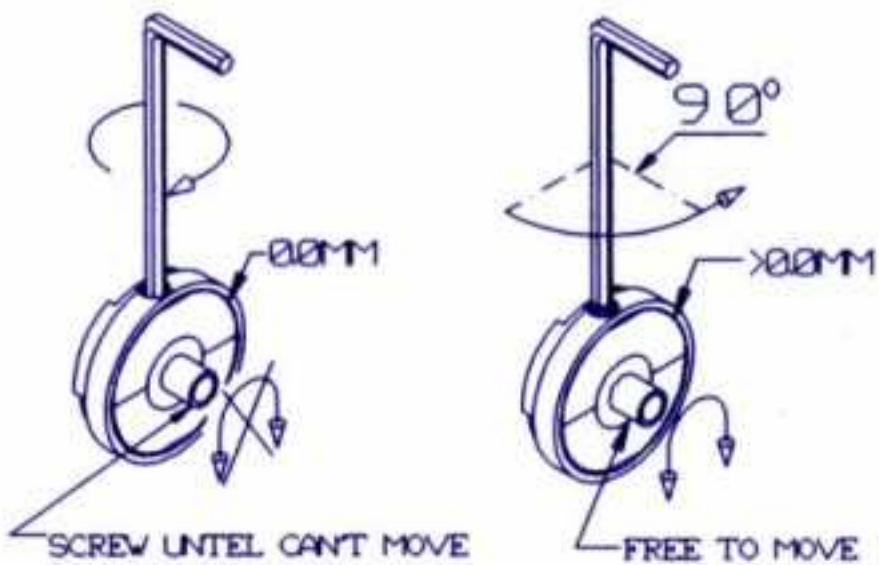
ADJUST HIGHEST POSITION



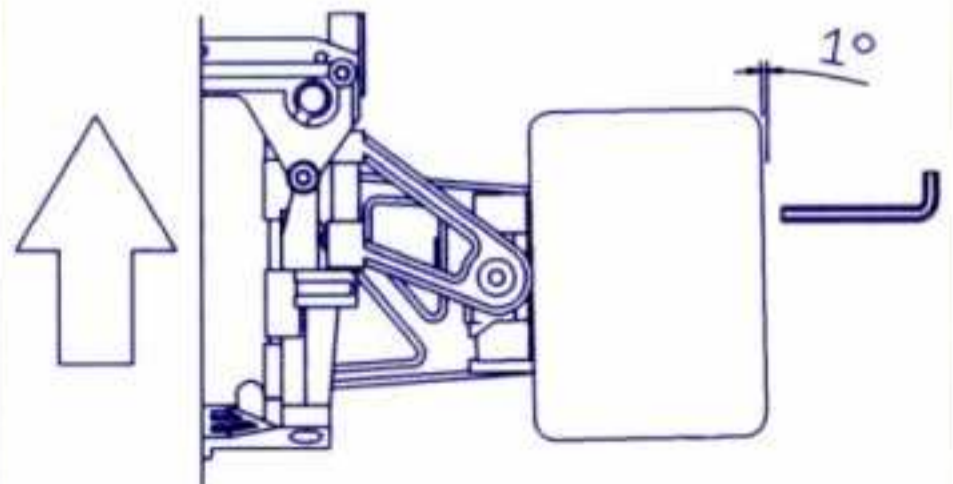
REAR SUSPENSION POSITION



ADJUST 2 SPEED CLUTCH



REAR WHEEL TOE-IN



TEST WAY 1/8-1/10 SCALE GAS POWER ON ROAD RACING CAR PARTS LIST											
B-05	1/10 ENGINE MOUNT	B-12	1/8 ROD SET	B-20	ONE WAY AL-MOUNT	B-29	WHEEL AXLE (F)	B-37	A ARM SHAFT (R)	C-08	CLUTCH SHAOE
B-06	1/8 ENGINE MOUNT	B-13	48MM ROD SET	B-21	2 SPEED CLU-BELL	B-30	WHEEL AXLE (R)	C-01	1/10 FLY-WHEEL	C-09	THRUST WASHER
B-07	WHEELSTOP (F)	B-14	STABILSET (R)	B-22	BRAKE SHAFT	B-31	REAR SHAFT	C-02	1/8 FLY-WHEEL	C-10	CENTRIFUGAL SET
B-08	WHEELSTOP (R)	B-15	FRONT SHAFT	B-23	ADJUSTING NUTS	B-32	STABIL-SHAFT (F)	C-03	14-7-17T CLU-BELL	C-11	AL-COVER
B-09	BELT ADJUST-SET	B-16	1/10 PULLY-ADAPTER	B-24	PIVOT BALL	B-33	MID SHAFT	C-04	CLUTCH BELL	C-12	1/10 C-13 1/8
B-10	SERVO SAVER	B-17	1/8 PULLY-ADAPTER	B-25	DRIVE JOINT	B-34	2 SPEED SHAFT	C-05	ENGINE NUT	C-14	15T
B-11	1/10 ROD SET	B-18	PULLY BRAKE-ADAPTER	B-26	1/10 DRI-SHAFT (F)	B-35	2 SPEED ADAPTER	C-06	SPRING CUP	C-15	18T
		B-19	SIDE PULLADAPTER	B-27	1/8 DRI-SHAFT (F)	B-36	A ARM SHAFT (F)	C-07	DOUBLE SCREW		17T
				B-28	DRIVE SHAFT (R)						20T

In order to avoid accidents and personal injury, be sure to observe the following:

- Since exhausts and fuel vapors are noxious to health, use fuel only outdoors!
- Keep hands and objects away from rotating engine parts to avoid personal injury.
- Because after running the engine, the engine and the muffler are extremely hot, beware of getting burned!
- Only use glow fuel for radio control models! Never use gasoline or kerosene which might cause accidents such as fires!
- Because fuel is highly inflammable, never use fuel indoors, near any source of heat, open flames or even sparks! Do not dispose of an empty fuel can into a fire. It might explode causing serious injury!
- Be particularly careful not to swallow fuel or to get fuel into eyes! Nevertheless, should fuel be swallowed, immediately induce vomiting and call a physician. Should fuel get into eyes, thoroughly rinse the eyes and seek medical advice.
- Always store fuel in a safe place out of children's reach with the cap shut tight! The place for storage should be dark, cool and dry!
- For accident prevention, do not run your model under the following circumstances:
 - ▶ In place where many people gather.
 - ▶ Near residential districts, schools and hospitals.
 - ▶ Near roads, railroads, air corridors and electric lines.
 - ▶ Also make sure that nobody is using the same frequency as you do at the same time!
 - ▶ When the radio batteries are empty.
 - ▶ When the model's control or running behavior is strange.

NEO

TEST WAY MODEL ENTERPRISE CO. LTD.
NO. 107 CHUNG SHING N STREET, SAN CHUNG CITY
TAIPEI HSIEN TAIWAN R.O.C
TEL:886-2-9958050 FAX:886-2-9958043