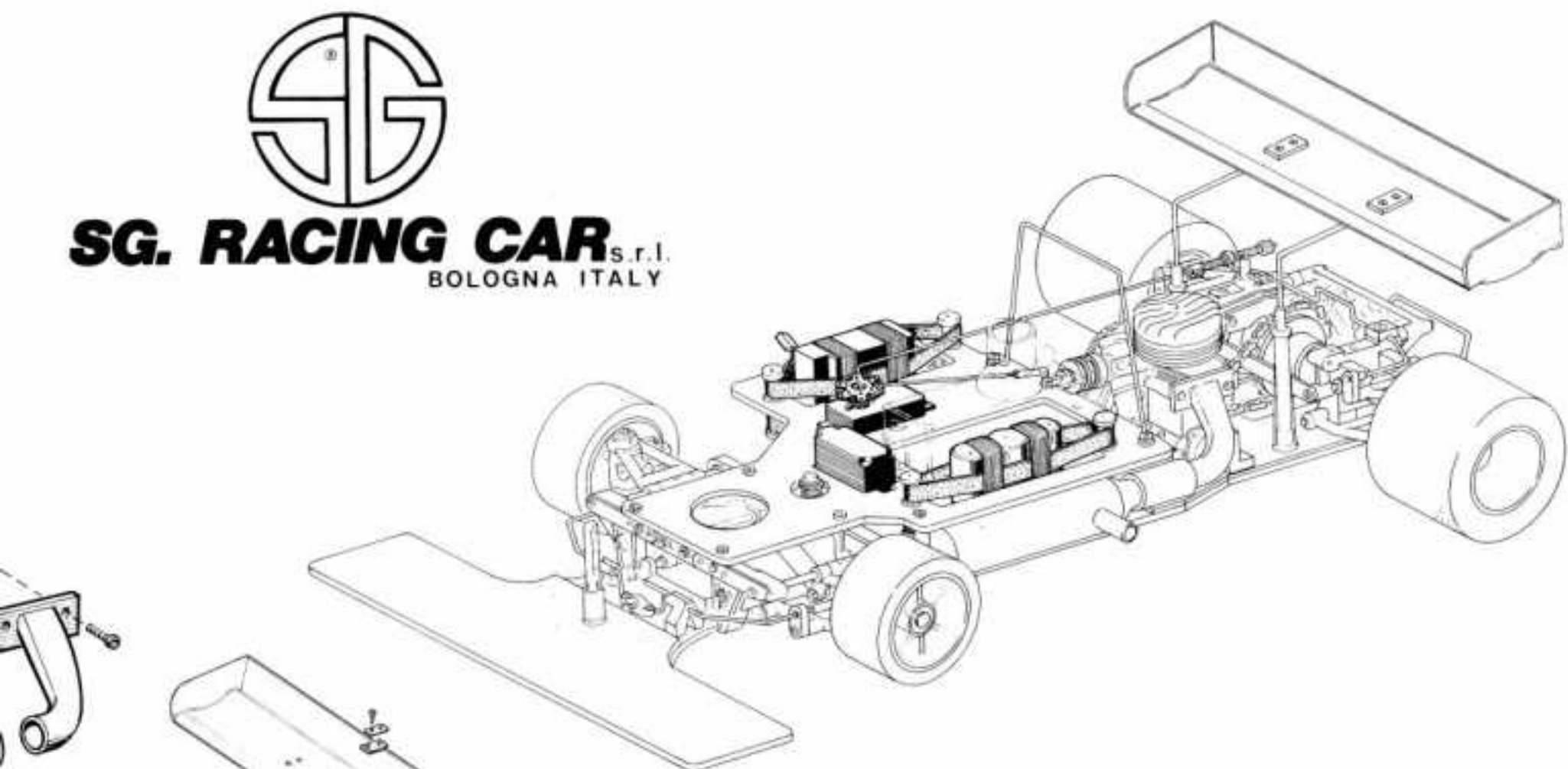


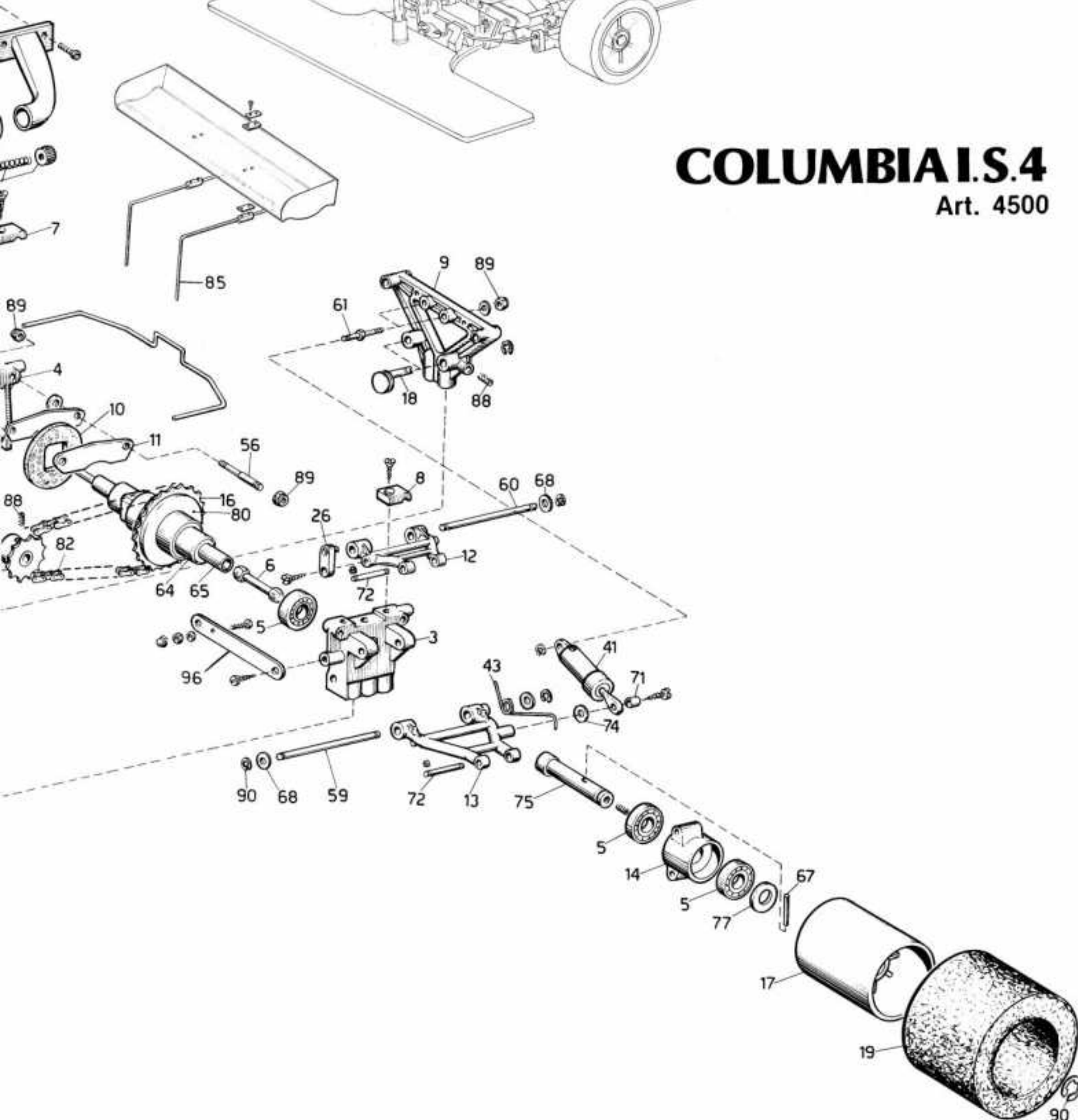


SG. RACING CAR s.r.l.
BOLOGNA ITALY



COLUMBIA I.S.4

Art. 4500



COLUMBIA IS 4 - Art. 4500

Elenco Particolari

1	Pianale post. Ergal	4500/1
2	Pianale base	4500/2
3/4	Supporti cuscinetti	4510/3
5	Cuscinetti post.	4500/5
6	Giunti esagonali	4500/6
7/8	Guida camma freno e barra antirollio	4510/7
9	Triangolo posteriore supporto ammortizzatore e camme molle	4500/9
10	Disco freno	4500/10
11	Pastiglie freno	4500/11
12	Bracci sup. sosp. post.	4500/12
13	Bracci inf. sosp. post.	4500/13
14	Mozzi porta cusc. post.	4500/14
15	Supporto cusc. ass. pignone catena	4500/15
16	Corona per catena Z 26	4500/16
17	Cerchio posteriore	4500/17
18	Camma reg. molle sosp. post.	4500/18
20	Coppia supporti motore X 21 RE TST	3500/20U
21	Camma freno	4500/21
22	Roll-bar	4500/22
23	Piastra radio	4500/23
24	Colonne supp. piastra radio	4500/24
25	Bracci superiori avantreno	4500/25
26	Snodi per barra antirollio	4510/26
27	Salvaservo	3500/27
28	Bracci inferiori avantreno	4510/28
30	Piastrine supporto avantreno	4500/30
31	Fuselli ruote anteriori	4500/31
32	Perni fusello	4500/32
33	Perno ruota anteriori Ø5	3700/33
34	Cerchio anteriore	4500/34
35	Cuscinetti anteriori Ø5	4500/35
37	Supporti carrozzeria	4500/37
38	Paraurti posteriore	4500/38
39	Paraurti anteriore	4500/39
40	Piastrine bloccaggio sup. avantreno	4500/40
41	Ammortizzatori	4500/41
42	Camma reg. molle sosp. ant.	4500/42
43	Molle sospensioni	4500/43
44	Supp. barra antirollio ant.	4510/44
46	Barre antirollio	4510/46
47	Pignone per catena Z 13	4500/47
48	Serbatoio completo	4500/48
52	Corona M 1 Z 44	4500/52
53	Corona M 1 Z 45	4500/53
54	Corona M 1 Z 46	4500/54
55	Assale corona	4500/55
56	Perni pastiglie freno	4500/56
57/58	Serie perni bracci avantreno	4510/57
59/60	Serie perni bracci retrotreno	4510/59
61	Perni supp. ammortizzati	4510/61
64	Corpo differenziale	4500/64
65	Semiassi differenziale	4500/65
67	Serie spine tras. ruote e corone	4500/67
68	Serie rondelle avantreno	4500/68
71	Boccole guida barre antirollio	4500/71
72	Perni mozzi ruote post.	4500/72
74	Serie rondelle snodi e amm.	4500/74
75	Semiassi ruote post.	4500/75
76	Pignone M 1 Z 18 STD	4500/76
77	Distanziali ruota post.	4500/77
78	Collari ferma bracci avantreno	4500/78
79	Perno satellite differenziale	4500/79
80	Flangia bloccaggio corona diff.	4500/80
81	Satellite differenziale	3800/17
82	Catena	4500/82
83	Serie snodi sferici	4500/83
84	Serie rinvii acc. freno sterzo	4500/84
85	Filo supp. alettone	4500/85
86	Serie viti autofilettanti	4500/86
87	Serie viti svasate C.E.	4500/87
88	Serie grani	4500/88
89	Serie dadi autobloccanti	4500/89
90	Serie Seger	4500/90
91	Planetario	3800/18
92	Colonne supp. radio batt.	4500/92
93	Serie cuffiette parapolvere	4500/93
94	Supporto alettone	4500/94
95	Cuscinetti assale corona	4500/95
96	Barretta fiss. sup. cus. post.	4500/96
97	Frizione	3500/70T
98	Unibal	3850

List of parts

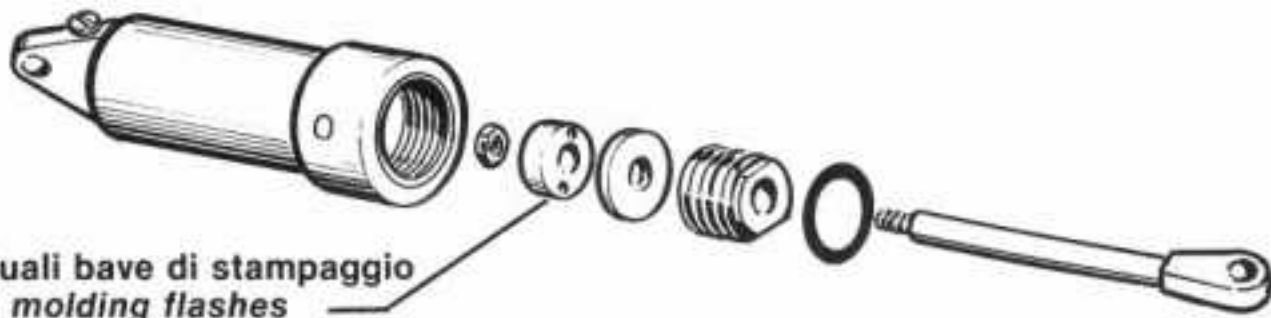
Rear chassis	4500/1
Middle chassis	4500/2
Bearing supports	4510/3
Rear bearings	4500/5
Hexagonal joint	4500/6
Brake and stabilizer rod guide	4500/7
Rear shock-absorber and came spring support	4500/9
Disk brake	4500/10
Brake pads	4500/11
Rear suspension upper beams	4500/12
Rear bearing lower beams	4500/13
Rear bearing holding hub	4500/14
Bearing support for chaine laxe	4500/15
Main ring gear Z 26 P.6	4500/16
Rear rim	4500/17
Spring adjustment car for rear suspens.	4500/18
Motor mounts X 21 RE TST	3500/20U
Cam brake	4500/21
Roll Bar	4500/22
Radio plate	4500/23
Radio plate support	4500/24
Front axle upper beams	4500/25
Uniball, antirolling rod	4510/26
Servo saver	3500/27
Front axle lower beams	4510/28
Front axle support plate	4500/30
Journal, front wheel	4500/31
Journal pin	4500/32
Front wheel pin Ø5	3700/33
Front rim	4500/34
Front wheel bearings Ø5	4500/35
Body support	4500/37
Bumper, rear	4500/38
Bumper, front	4500/39
Fastening plate for front axle support	4500/40
Shock-absorbers	4500/41
Cam, adjustment front suspensions springs	4500/42
Springs, suspensions	4500/43
Antirolling rod support	4510/44
Antirolling rod	4510/46
Pinion Z 13, chain	4500/47
Tank	4500/48
Ring gear M 1 Z 44	4500/52
Ring gear M 1 Z 45	4500/53
Ring gear M 1 Z 46	4500/54
Ring gear axle	4500/55
Pins, brake pads	4500/56
Front axle rod pins	4510/57
Rear axle rod pins	4510/59
Pins, shock-absorbers supports	4510/61
Differential body	4500/64
Differential semi-axes	4500/65
Ring axle washers	4500/67
Front axle washers	4500/68
Bush, antirolling rod guide	4500/71
Rear wheels hub pins	4500/72
Joint and shock-absorbers washers	4500/74
Rear wheels semi-axes	4500/75
Pinion M 1 Z 18 STD	4500/76
Rear wheel washer	4500/77
From axle holding collars	4500/78
Satellite gear pin	4500/79
Differential ring gear flange	4500/80
Gear satellite	3800/17
Chain	4500/82
Series of spherical joint	4500/83
Series of acceleration/brake rods	4500/84
Wing support	4500/85
Series of self-threading	4500/86
Series of screws	4500/87
Series of dowels	4500/88
Series of selflocking screws	4500/89
Series of Seigers	4500/90
Planetarium gears	3800/18
Radio and battery support	4500/92
Series of Gummi protections	4500/93
Wing supports	4500/94
Bearings, axle crown wheel	4500/95
Rear bearings support locking rod	4500/96
Clutch	3500/70T
Unibal	3850

Pièces détachées

1	Chassis arriere en Ergal	4500/1
2	Plaque chassis base	4500/2
3/4	Support roulements	4510/3
5	Roulements arriere	4500/5
6	Joint exagonaux	4500/6
7/8	Guide came frein et barre antiroulis	4500/7
9	Triangle support ammortisseurs	4500/9
10	Disque frein	4500/10
11	Plaquettes frein	4500/11
12	Triangle superieur suspensions arriere	4500/12
13	Triangle inf. suspensions arriere	4500/13
14	Moyeu porte roulement arriere	4500/14
15	Support roulement axe pignon chaine	4500/15
16	Couronne pour chaine	4500/16
17	Jante arriere	4500/17
18	Came reglage ressorts suspensions arriere	4500/18
20	Supports moteur X 21 RE TST	3500/20U
21	Came frein	4500/21
22	Arceau	4500/22
23	Platine radio	4500/23
24	Support platine radio	4500/24
25	Triangle superieur suspensions avant	4500/25
26	Raccord barre anti-roulis	4510/26
27	Sauf-servo	3500/27
28	Triangle inf. suspensions avant	4510/28
30	Plaquettes suppor train avant	3500/30
31	Fusees roue avant	4500/31
32	Axe fusee	4500/32
33	Axe roue avant Ø5	3700/33
34	Jante avant	4500/34
35	Roulements avant	4500/35
37	Supports de carrosserie	4500/37
38	Pare-chocs arr.	4500/38
39	Pare-chocs av.	4500/39
40	Plaquettes de fixation support avant	4500/40
41	Amortisseurs	4500/41
42	Came regl. ressorts suspension avant	4500/42
43	Ressorts pour suspensions	4500/43
44	Support barre antiroulis avant	4510/44
46	Barre anti-roulis	4510/46
47	Pignon pour chaine Z 13	4500/47
48	Reservoir complet	4500/48
52	Couronne M 1 Z 44	4500/52
53	Couronne M 1 Z 45	4500/53
54	Couronne M 1 Z 46	4500/54
55	Axe couronne	4500/55
56	Axes plaquettes frein	4500/56
57/58	Jeu d'axes bras train avant	4510/57
59/60	Jeu d'axes bras train arriere	4510/59
61	Axe supports amortisseurs	4510/61
64	Corp differentiel	4500/64
65	Demi-axes differentiel	4500/65
67	Goujon d'entraînement	4500/67
68	Jeu de rondelles train avant	4500/68
71	Coussinet guide barre antiroulis	4500/71
72	Axe moyeux roues arriere	4500/72
74	Jeu de rondelles pour timonerie et amortisseur	4500/74
75	Demi-axes roues arr.	4500/75
76	Cloche d'embrayage Z.16 avec roulements	4500/49
76	Cloche d'embrayage Z.17 avec roulements	4500/50
76	Cloche d'embrayage Z.18 avec roulements	4500/51
76	Cloche d'embrayage Z.16	4510/49
76	Cloche d'embrayage Z.17	4510/50
76	Cloche d'embrayage Z.18	4510/51
—	Roulement pour cloche d'embrayage	4510/81
—	Entretoise + circlips	4510/73
77	Axe d'entretoise roue arr.	4500/77
78	Bague d'arrêt bras train avant	4500/78
79	Pivot satellite	4500/79
80	Bride d'arrêt couronne diff.	4500/80
81	Satellite differential	3800/17
82	Chaine	4500/82
83	Joints-spheriques	4500/83
84	Tringlerie accelerateur-frein	4500/84
85	Support d'ailerons	4500/85
86	Jeu de vis parker	4500/86
87	Jeu de vis	4500/87
88	Jeu de vis 6 pans	4500/88
89	Jeu d'écroux nylstop	4500/89
90	Jeu de circlips	4500/90
91	Engrenages planetaire	3800/18
92	Support batterie + recepteur	4500/92
93	Protecteurs en caoutchouc	4500/93
94	Support d'aileron	4500/94
95	Roulement axe couronne	4500/95
96	Raidisseur palier arriere	4500/96
97	Embrayage	3500/70T
98	Biellette de direction	3850

ERSATZTEILLISTE

ROBBE Bestell-Nr.	
3476/01	POWER POD AUS ERGAL
3476/02	CHASSISPLATTE
3476/03	KUGELLAGERBOECKE
3476/05	KUGELLAGER HINTEN
3476/06	ANTRIEBSWELLE
3476/07	FUERUNG F. BREMSEXZENTER UND QUER STABILISATOR
3476/09	HINTERACHSLAGER
3476/10	BREMSSCHEIBE
3476/11	BREMSBELAEGE F. SCHEIBENBREMSE
3476/12	OBERER QUERLENKER HINTEN
3476/13	UNTERER QUERLENKER HINTEN
3476/14	ACHSHALTER HINTEN
3476/15	LAGERBOCK FUER ZWISCHENWELLE
3476/16	ZAHNRAD FUER KETTE Z 26
3476/17	HINTERFELGE
3476/18	EXZENTER F. FEDEREINSTELLUNG HINTEN
3563	MOTORTRAEGER X21 RE TST
3476/21	BREMSEXZENTER
3476/22	UEBERROLLBUEGEL
3476/23	RC - EINBAUPLATTE
3476/24	ABSTANDBOLZEN F. RC - EINBAUPLATTE
3476/25	OBERER QUERLENKER VORN
3476/26	GELENKE FUER QUERSTABILISATOR
3317	SERVO UEBERLASTUNGSSCHUTZ
3476/28	UNTERER QUERLENKER VORN
3476/30	PLATTENHALTERUNG F. VORDERACHSE
3476/31	ACHSHALTER VORN
3476/32	ACHSSCHENKELBOLZEN
3472/50	ACHSSCHENKEL FUER VORDERRAD Ø5
3476/34	VORDERFELGE
3558	KUGELLAGER VORN
3472/16	ABSTANDBOLZEN FUER KAROSSERIE
3476/38	RAMMSCHUTZ. HINTEN
3476/39	RAMMSCHUTZ. VORN
3476/40	EINSTELLPLATTEN F. VORDERACHSSTURZ
3476/41	STOSSDAEMFER
3476/42	EXZENTER F. FEDEREINSTELLUNG VORN
3476/43	FEDERN F. RADAUFHAENGUNGEN
3476/44	HALTERUNG F. QUERSTABILISATOR
3476/46	QUERSTABILISATOR - STANGEN
3476/47	RITZEL Z13 FUER KETTE
3476/48	TANK
3476/52	ZAHNRAD M 1 Z 44
3476/53	ZAHNRAD M 1 Z 45
3476/54	ZAHNRAD M 1 Z 46
3476/55	ZWISCHENWELLE
3476/56	STIFTE FUER BREMSBELAEGE
3476/57	STIFTE SATZ FUER QUERLENKER VORN
3476/59	STIFTE SATZ FUER QUERLENKER HINTEN
3476/61	STIFTE FUER STOSSDAEMPFERHALTERUNG
3476/64	DIFFERENTIALGEHAEUSE
3476/65	DIFFERENTIAL - HALBACHSEN
3476/67	MITNEHMERSTIFTE
3476/68	UNTERLEGSCHLEIBENSATZ F. VORDERACHSE
3476/71	SINTERLAGER F. QUERSTABILISATOR
3476/72	STIFTE FUER QUERSTABILISATORLENKER
3476/74	UNTERLEGSCHLEIBENSATZ FUER ANLENKUNGEN UND STOSSDAEMPFER
3476/75	HALBACHSE FUER HINTERRAEDER
3476/98	KUPPLUNGSGLOCKE Z.16 MIT KUGELLAGERN
3476/99	KUPPLUNGSGLOCKE Z.17 MIT KUGELLAGERN
3476/100	KUPPLUNGSGLOCKE Z.18 MIT KUGELLAGERN
3476/49	KUPPLUNGSGLOCKE Z.16
3476/50	KUPPLUNGSGLOCKE Z.17
3476/51	KUPPLUNGSGLOCKE Z.18
3476/81	KUGELLAGER FÜR KUPPLUNGSGLOCKE
3476/73	DISTANZRING + SEEGERRING
3476/77	DISTANZRING FUER HINTERRAD
3476/78	NACHLAUFVERSTELLUNG
3476/79	LAGERBOLZEN FUER SATELLITENRAEDER
3476/80	FLANSCH FUER DIFFERENTIAL
3333/17	SATELLITENRAEDER
3476/82	KETTE
3476/83	KUGELGELENKE
3476/84	GESTAENGE GAS - BREMSE
3476/85	SPOILER HALTEBUEGEL
3476/86	BLECHSCHRAUBENSATZ
3476/87	SENKRSCHRAUBENSATZ
3476/88	STIFTESATZ
3476/89	SELBSTSICHERNDE MUTTERN
3476/90	SEEGERRINGSATZ
3333/18	PLANETENRAEDER
3476/92	HALTEBOLZEN FUER EMPFAENGER UND POWER PACK
3476/93	GUMMISCHUTZKAEPPENSATZ
3476/94	ABSTANDBOLZEN
3476/95	KUGELLAGER FUER ZWISCHENWELLE
3476/96	BEFESTIGUNGSSTANGE
3387	KUPPLUNGSBAKEN
3343	SPURSTANGEN



Togliere eventuali bave di stampaggio
Sand eventual molding flashes
 EVENTUELLE GRAETE ENTFERNEN
Ebavurer si necessaire



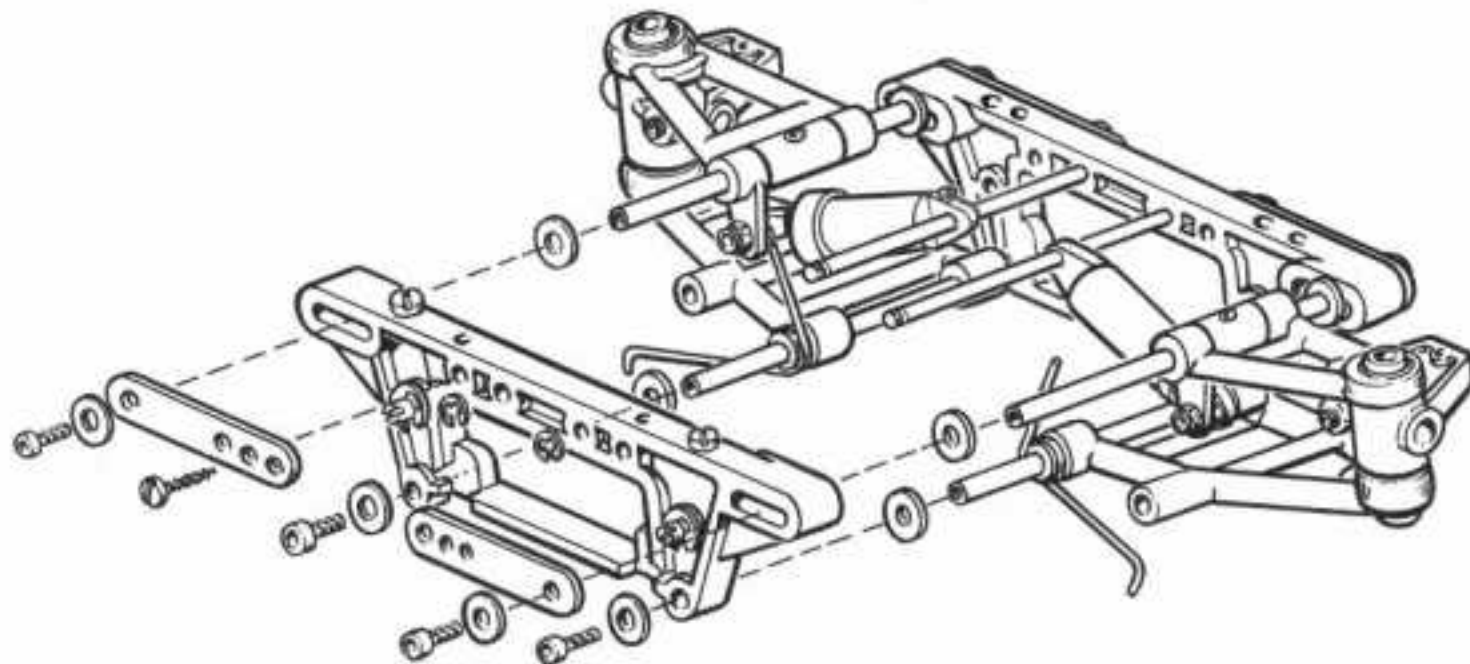
Inverno: usare olio molto fluido
Winter: fill up with flowing oil
 WINTER: DUENN FLUESSIGES OEL
 EINFUELLEN
 En hiver, utiliser de l'huile tres
 fluide
 Estate: usare olio SAE 20-40
*Summer: fill up with
 oil SAE 20-40*
 SOMMER: JE NACH
 TEMPERATUR OEL
 SAE 20-40 EINFUELLEN
 En été: utiliser
 de l'huile
 SAE 20-40

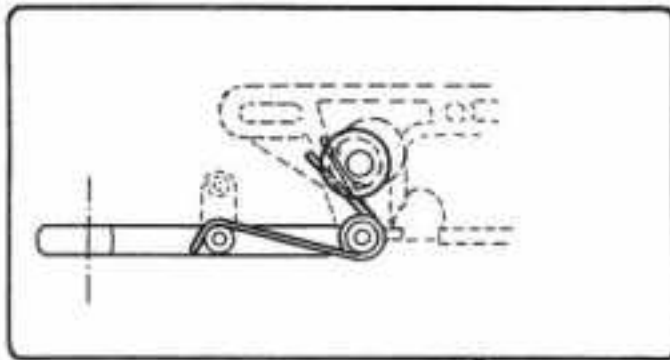
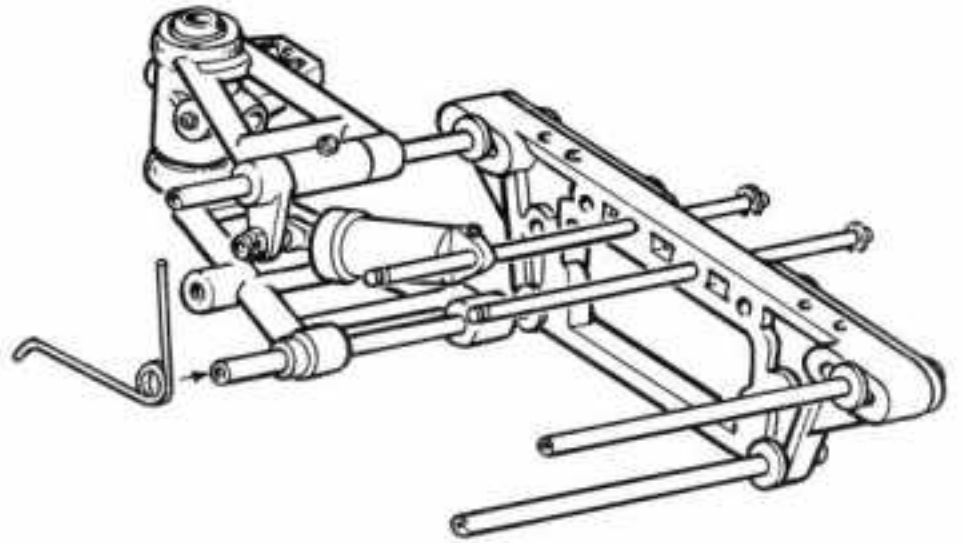
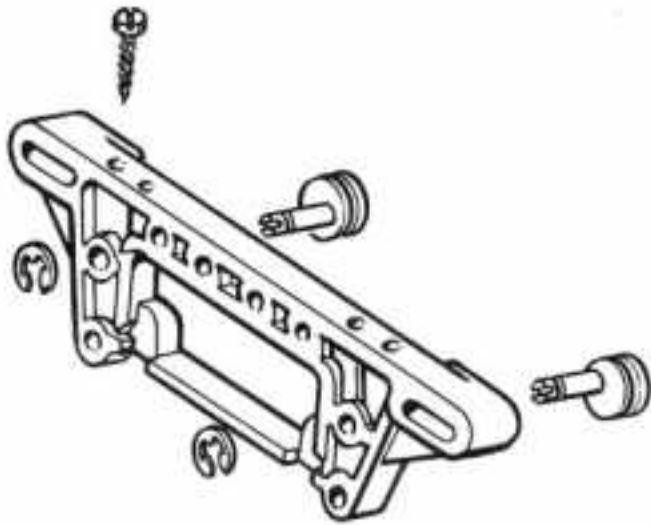
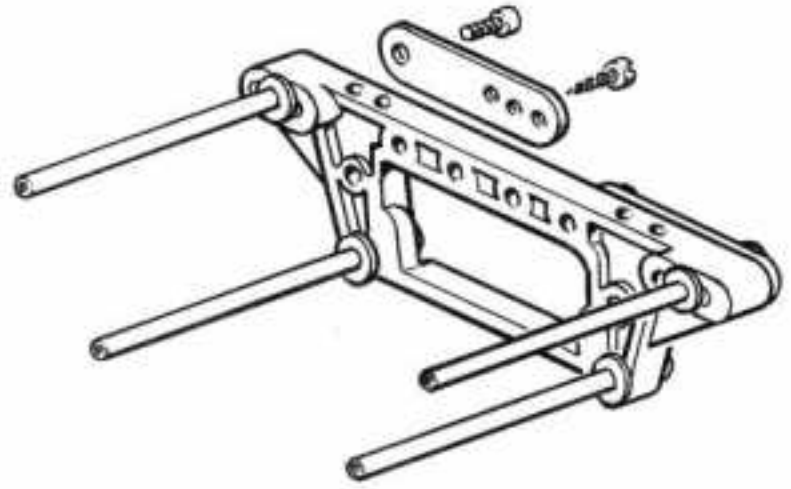
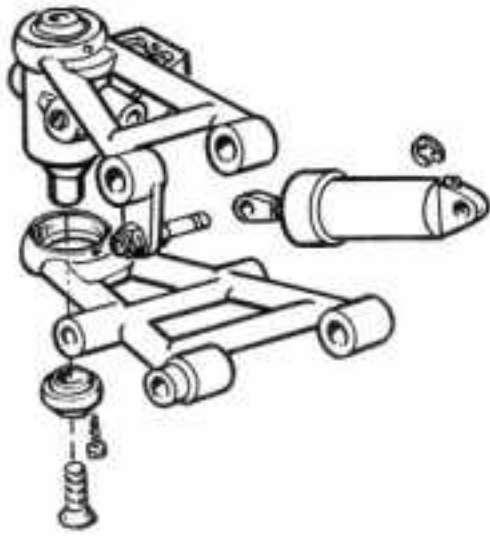


Rabboccare l'olio con il pistone
 a fondo corsa

Fill to the brin with the piston at idle stroke
 OEL NACHFUELLEN BEI GANZ ZUSAMMENGEDRUECKTEM STOSSDAEMPFER

Amener le piston a fond de course et ensuite injecter l'huile





Per tarare la molla agire con un cacciavite sulla apposite camma

To adjust the spring action the camm with a screw driver

DURCH VERDREHEN DES EXZENTERS LAESST SICH DIE FEDERUNG BELIEBIG VORSPANNEN

Pour fixer le ressort, agir avec une cle sur la came opposee

Distanza consigliata: mm. 8.5 = 15°

Suggested distance: mm. 8.5 = 15°

EMPFOHLENER NACHLAUFWINKEL 15° ENTSPRECHENDES MASS 8.5 MM

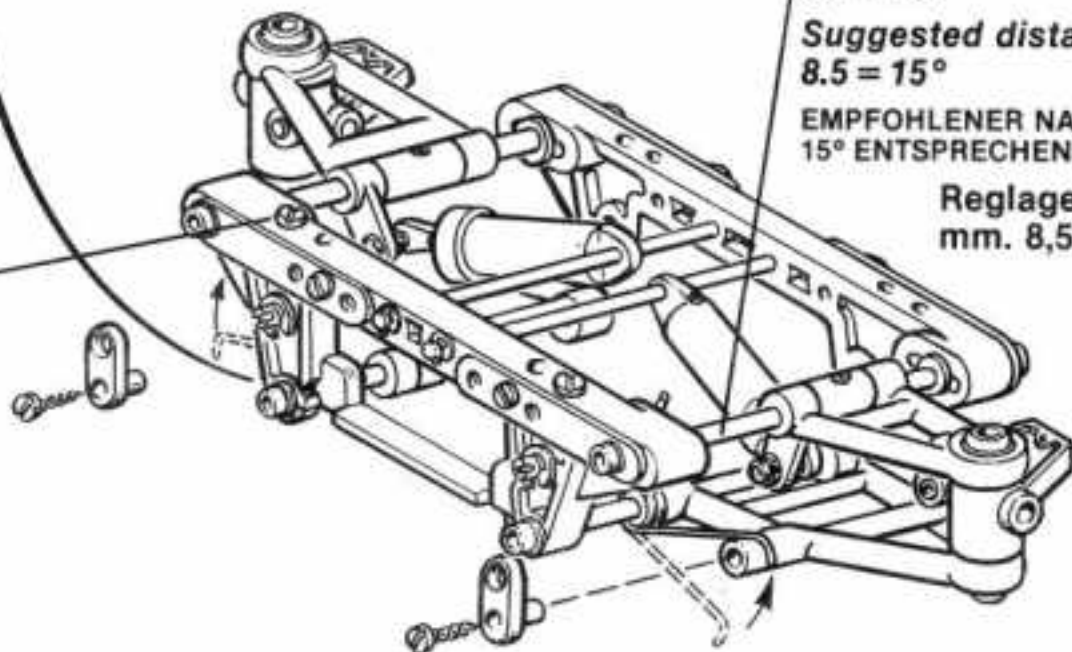
Reglage conseille: mm. 8,5 = 15 degrees

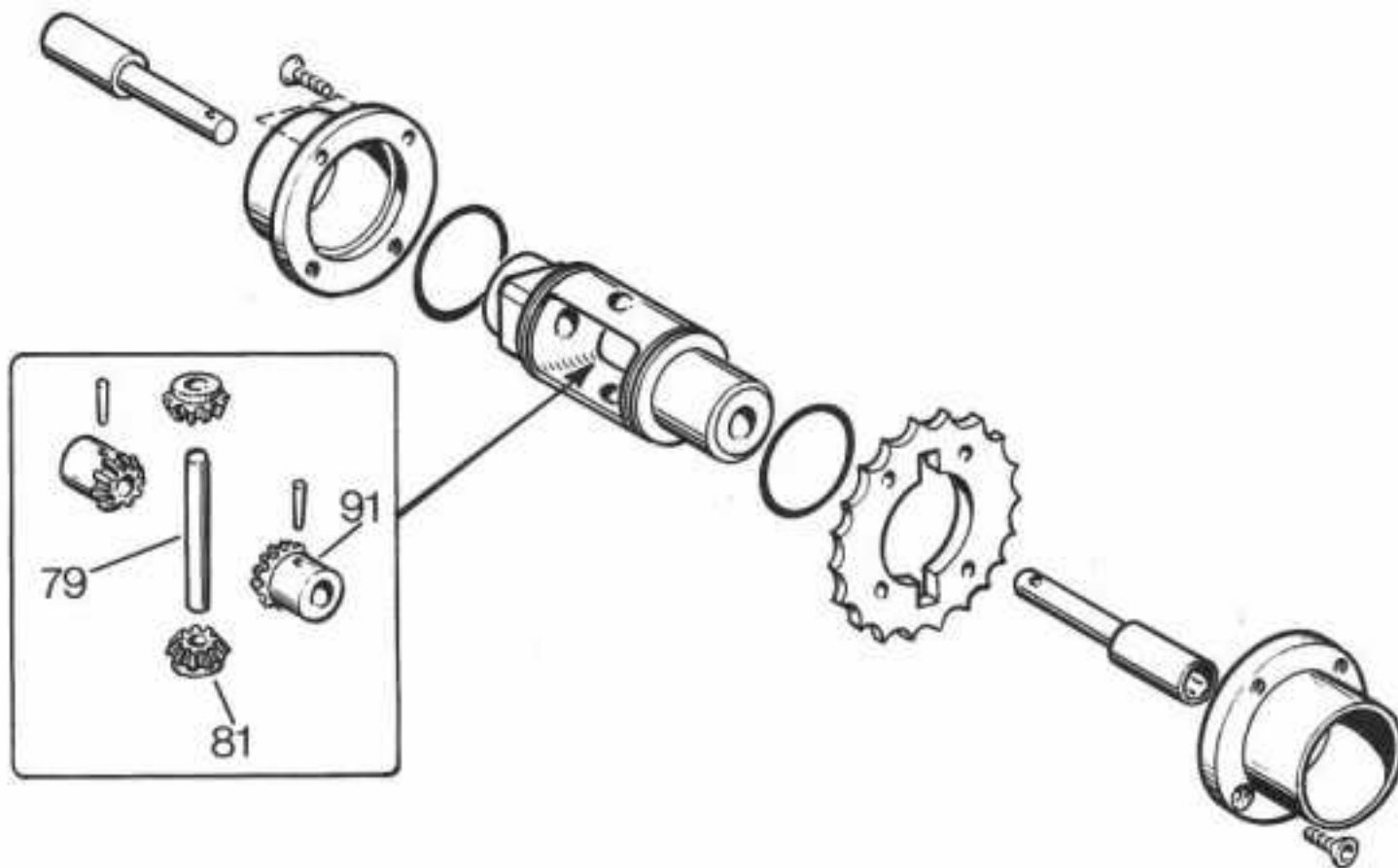
Vite bloccaggio camma regolazione molla

Camm lock screw for spring settlement

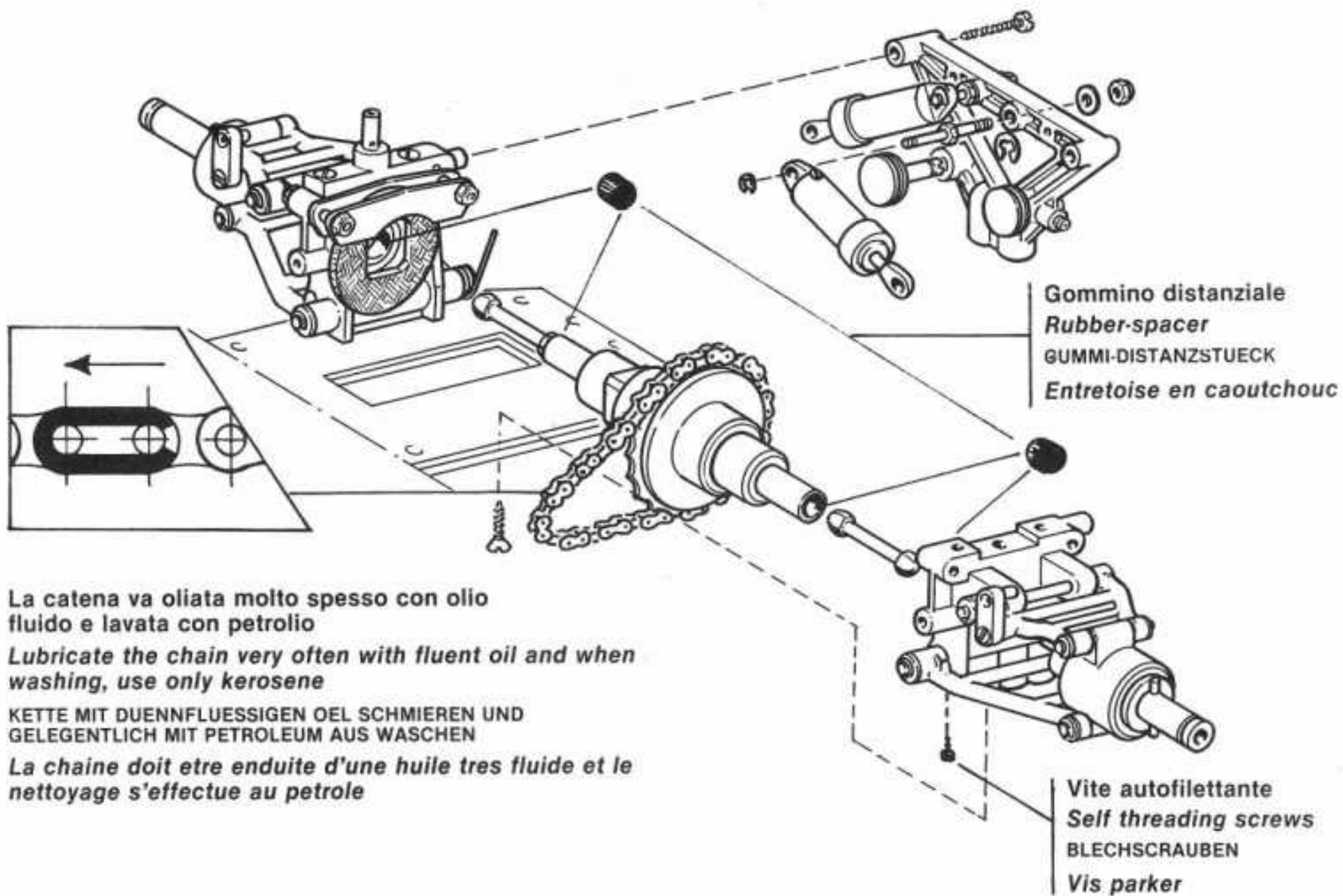
SICHERUNGSSCHRAUBE FUER EXZENTER

Vis de blocage de la came





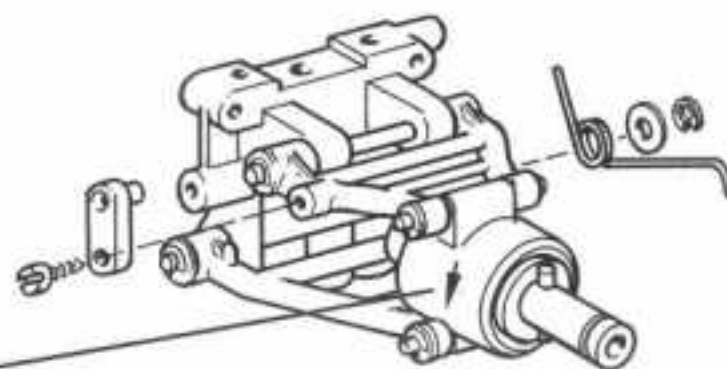
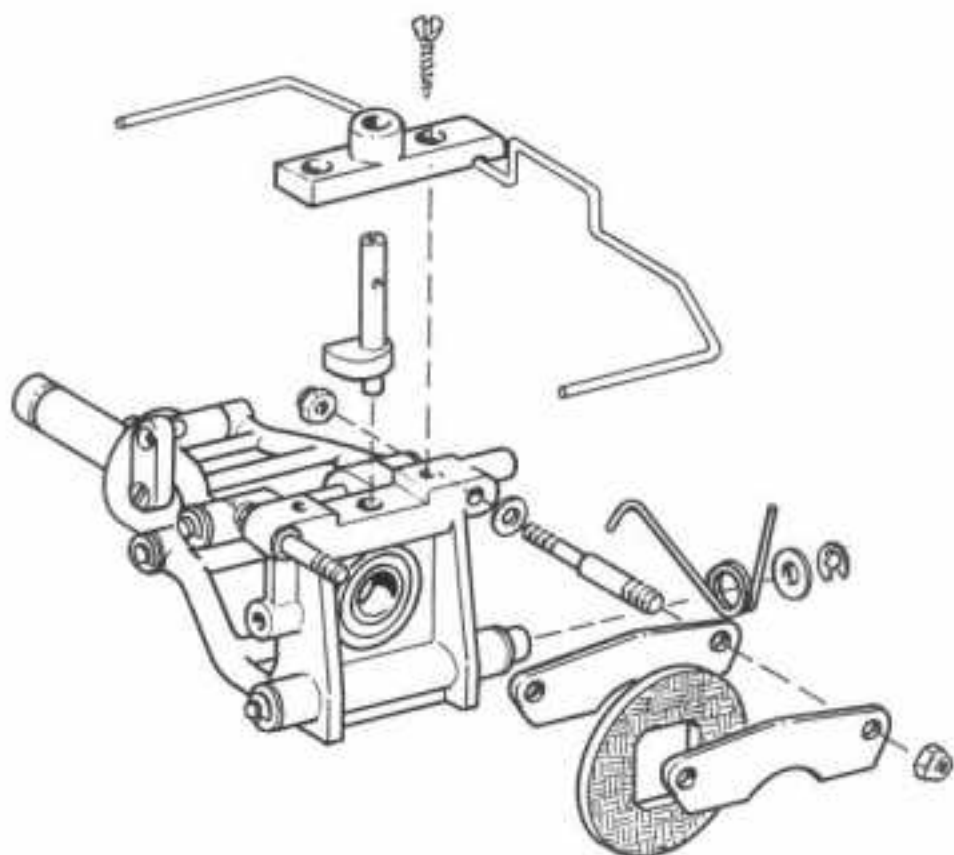
Riempire con grasso universale
Fill up with universal type grease
DIFFERENTIAL MIT UNIVERSALFETT
BEFUELLEN
Remplir de graisse universelle



La catena va oliata molto spesso con olio
fluido e lavata con petrolio
Lubricate the chain very often with fluent oil and when
washing, use only kerosene
KETTE MIT DUENNFLUESSIGEN OEL SCHMIEREN UND
GELEGENTLICH MIT PETROLEUM AUS WASCHEN
La chaine doit etre enduite d'une huile tres fluide et le
nettoyage s'effectue au petrole

Gommino distanziale
Rubber-spacer
GUMMI-DISTANZSTUECK
Entretoise en caoutchouc

Vite autofilettante
Self threading screws
BLEHSCRAUBEN
Vis parker



Assemblare con la freccia rivolta verso il basso
To be assembled with the arrow pointing down
RICHTUNG DES PFEILES NACH UNTEN BEACHTEN BEI DER MONTAGE DIESES TEILES
Mettre la fleche vers le bas pour le montage de cette piece

