

# SILVER FOX 4wd

四輪驅動 銀狐 越野沙灘車

1/8 SCALE  
RADIO CONTROL  
OFF ROAD RACING BUGGY  
19-21 ENGINE  
2 CHANNEL RADIO



No.399

#### SPECIFICATION:

Length.....	524mm	Weight (ready to run).....	3.5kg (7.7 lb)
Width.....	294mm	Radio control equipment.....	2-channel
Height.....	187mm	Engine.....	21 cubic inch (3.5cc)
Wheelbase.....	315mm		

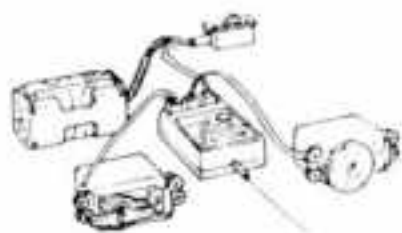


**Thunder Tiger**  
THE MOST RELIABLE RADIO CONTROL MODELS

Thank you for your purchase! Carefully read instruction before assembling this model.

衷心感謝 - 請仔細閱讀說明書

**OTHER EQUIPMENT REQUIRED 套件之外必需之裝備**



SERVO RECEIVER AND SWITCH  
伺服器接收器及開關



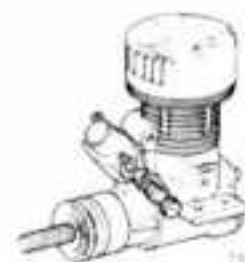
2CH TRANSMITTER  
二頻道遙控器



TRANSMITTER & RECEIVER 4 x AA DRY CELL  
遙控器及接收器 4 x AA 乾電池



SLOW PLUG  
慢針



21 FOR 40C CAM ENGINE  
引擎 No. 21

**TOOLS REQUIRED FOR ASSEMBLING 組合前必要的工具**



6mm  
5mm  
OPEN END WRENCH  
開口扳手



8mm  
10mm  
OPEN END WRENCH  
開口扳手



CROSS HEAD  
SCREW DRIVER  
十字起子



ALLIGATOR PLIER  
鉗子



FILE  
砂紙



SCISSORS  
剪刀



BLADE CUTTER  
刀片



SAND PAPER  
砂紙



SCOTCH TAPE  
膠帶



ANODIZING BOTTLE  
陽極化瓶

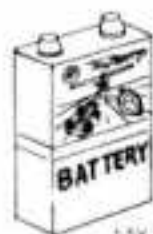


PAINT  
漆



BRUSHES  
毛刷

**ARTICLES REQUIRED FOR RUNNING 行車前必要的物件**



No. 617  
1.5V BATTERY  
1.5V 電池



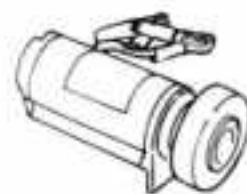
No. 173/2  
LOCKING SOCKET  
鎖頭式電池



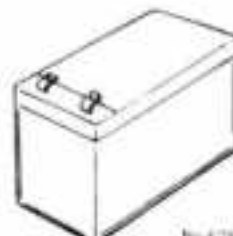
K & B #5001 FUEL  
燃料



No. 104  
FUEL PRIMER BOTTLE  
注油瓶



No. 670  
STARTER  
起動機



No. 625  
12V 6A SEAL BATTERY  
12V 6A 電池

**SYMBOL FOR INSTRUCTION 代號說明**



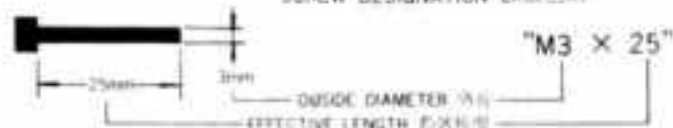
ANACROBIC ADHESIVE  
厌氧胶

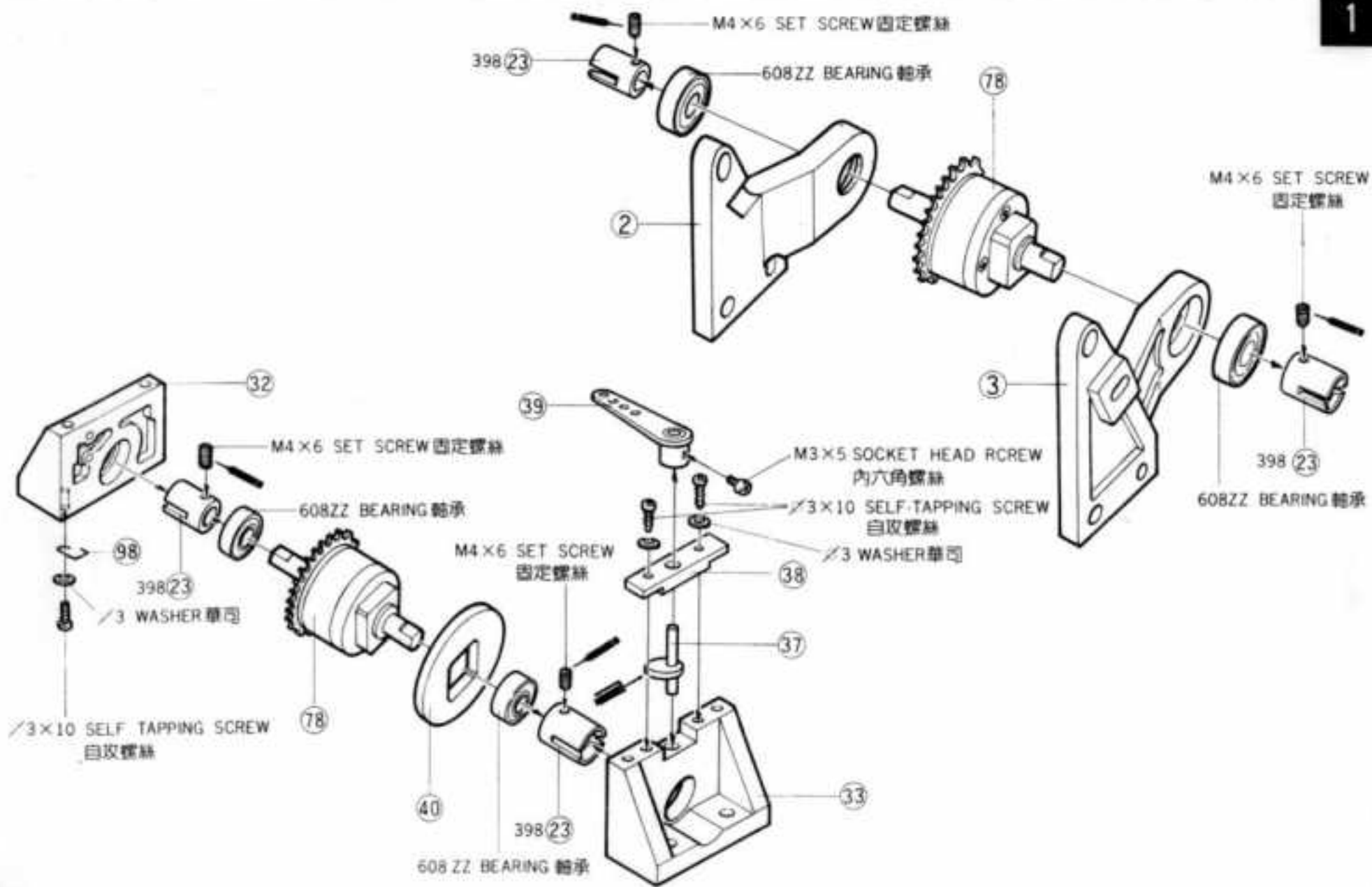


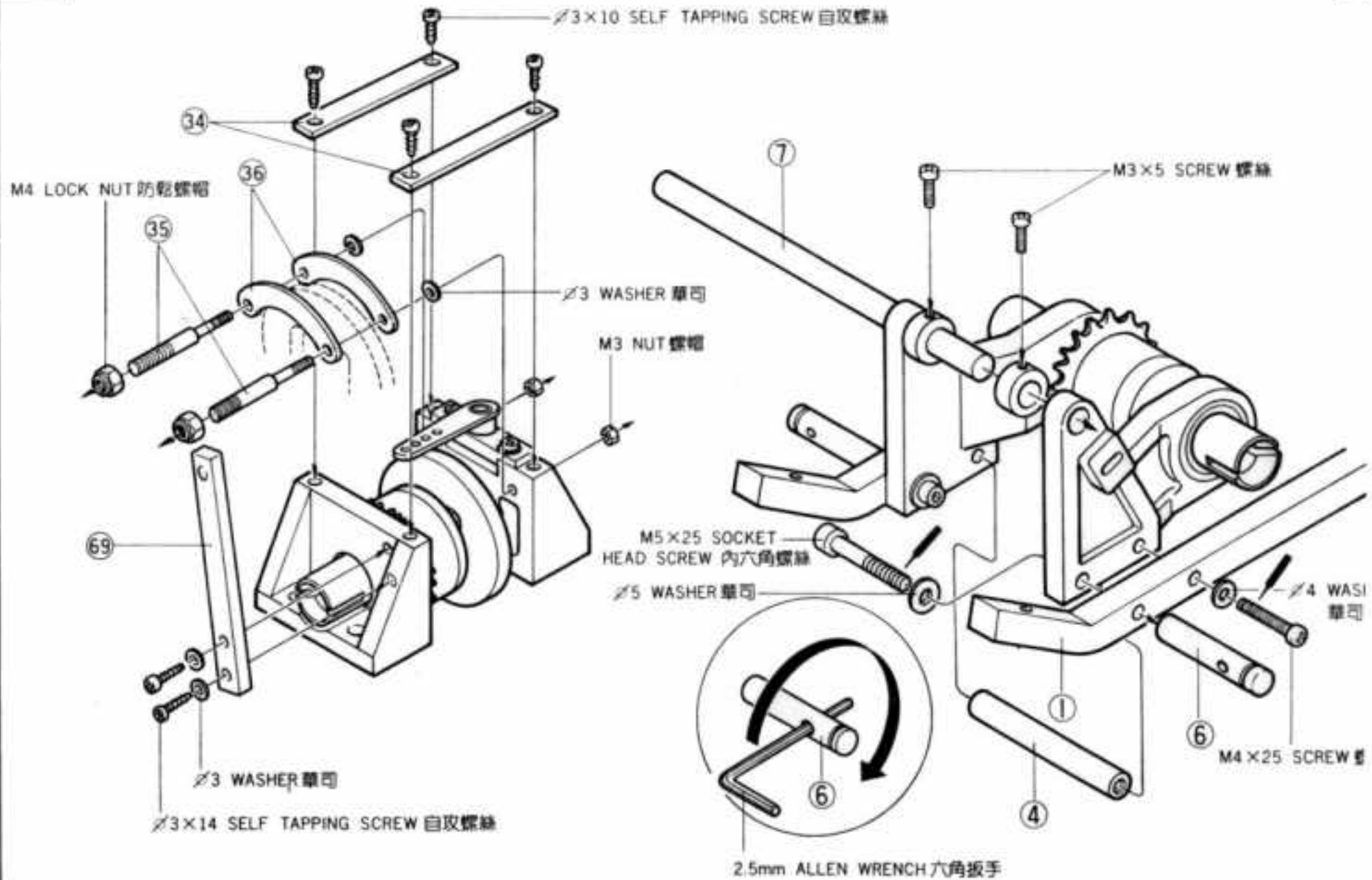
GREASE  
潤滑油

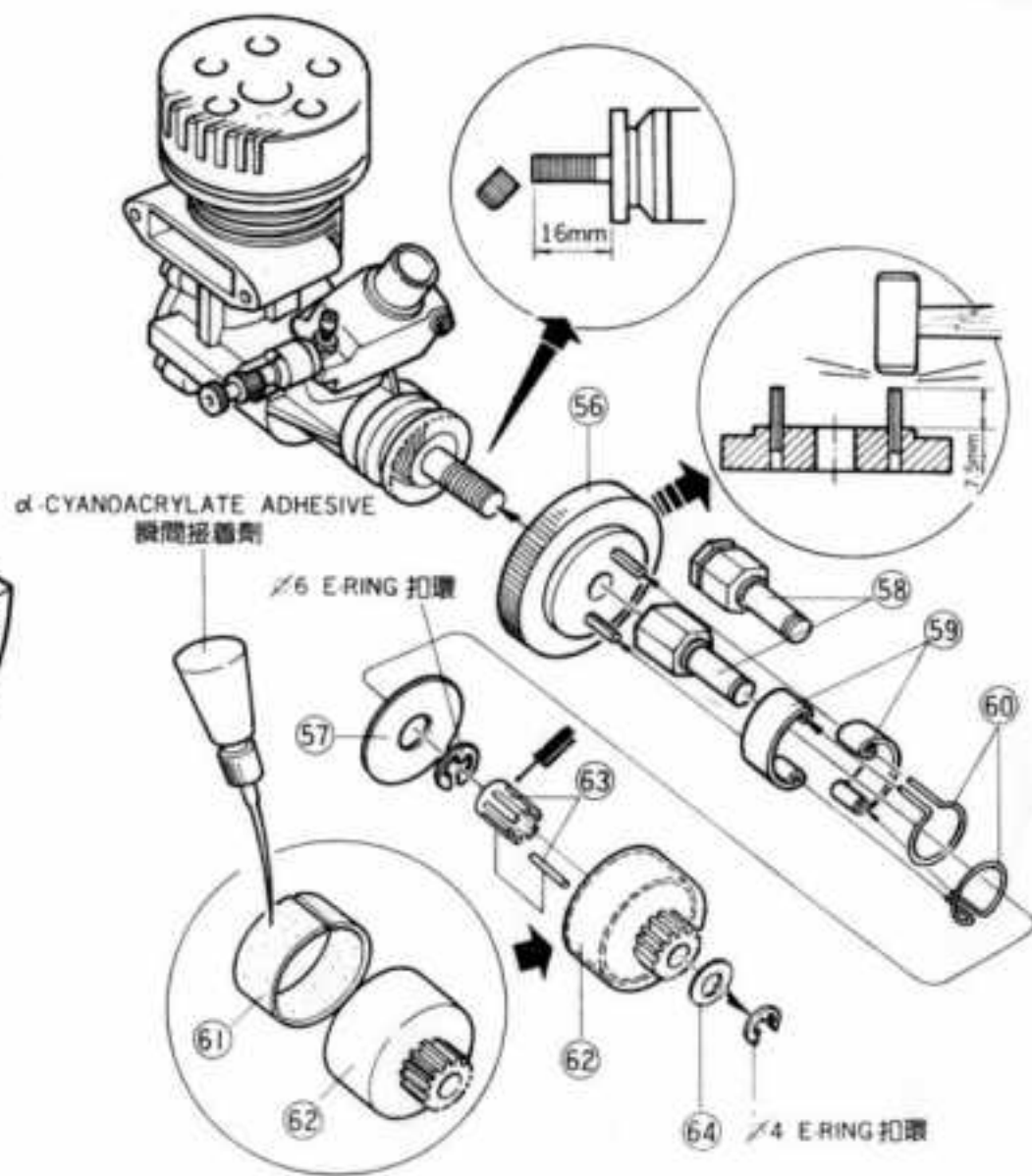
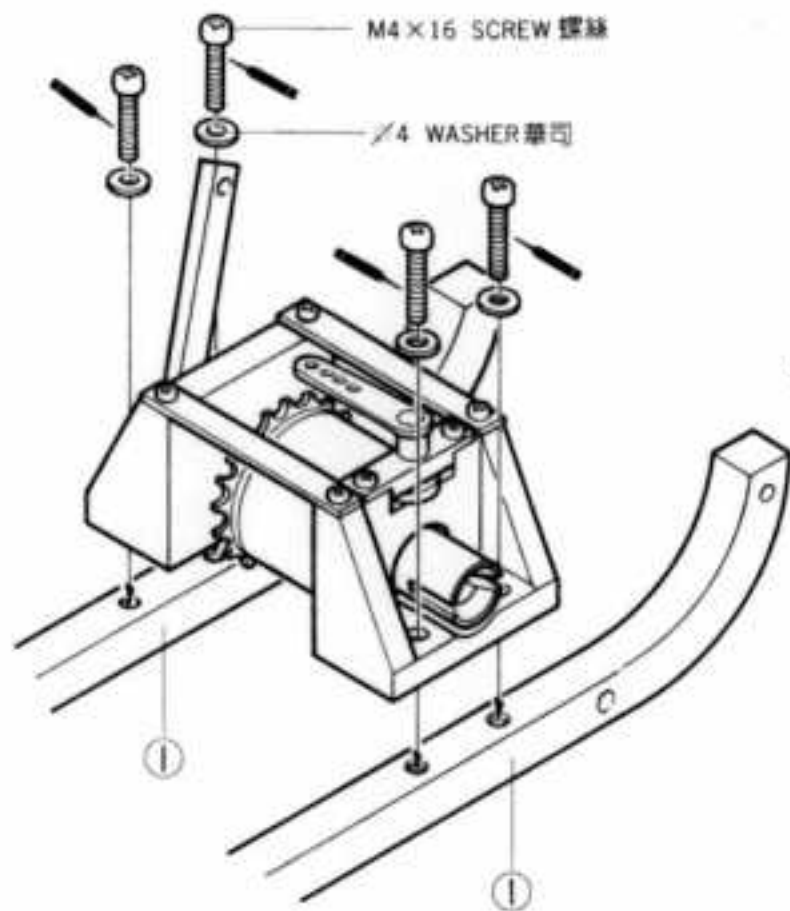
● Apply the adhesive or grease as the symbol indication on picture  
依照代號指示，將厌氧胶或潤滑油

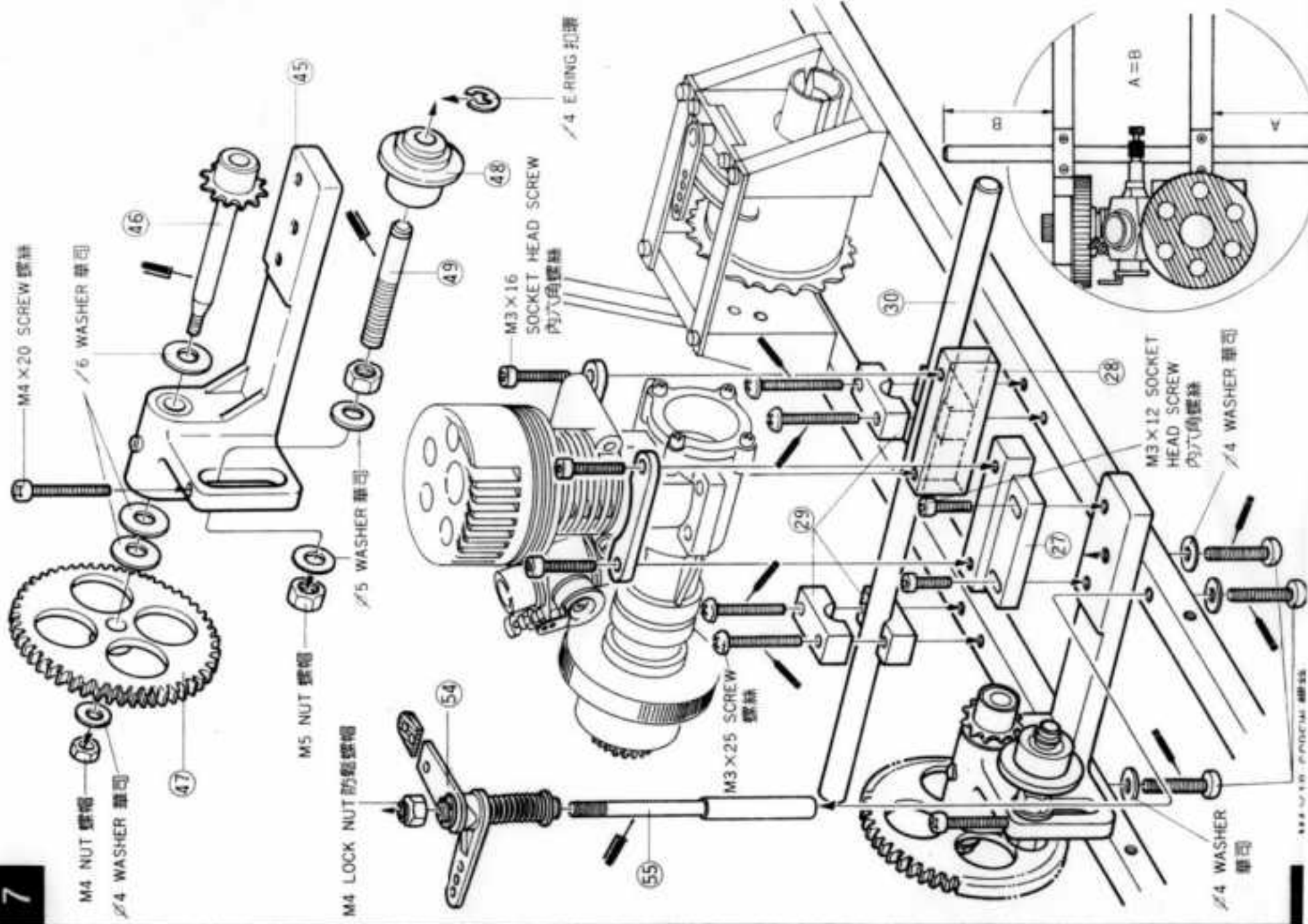
**SCREW DESIGNATION 螺絲代號**

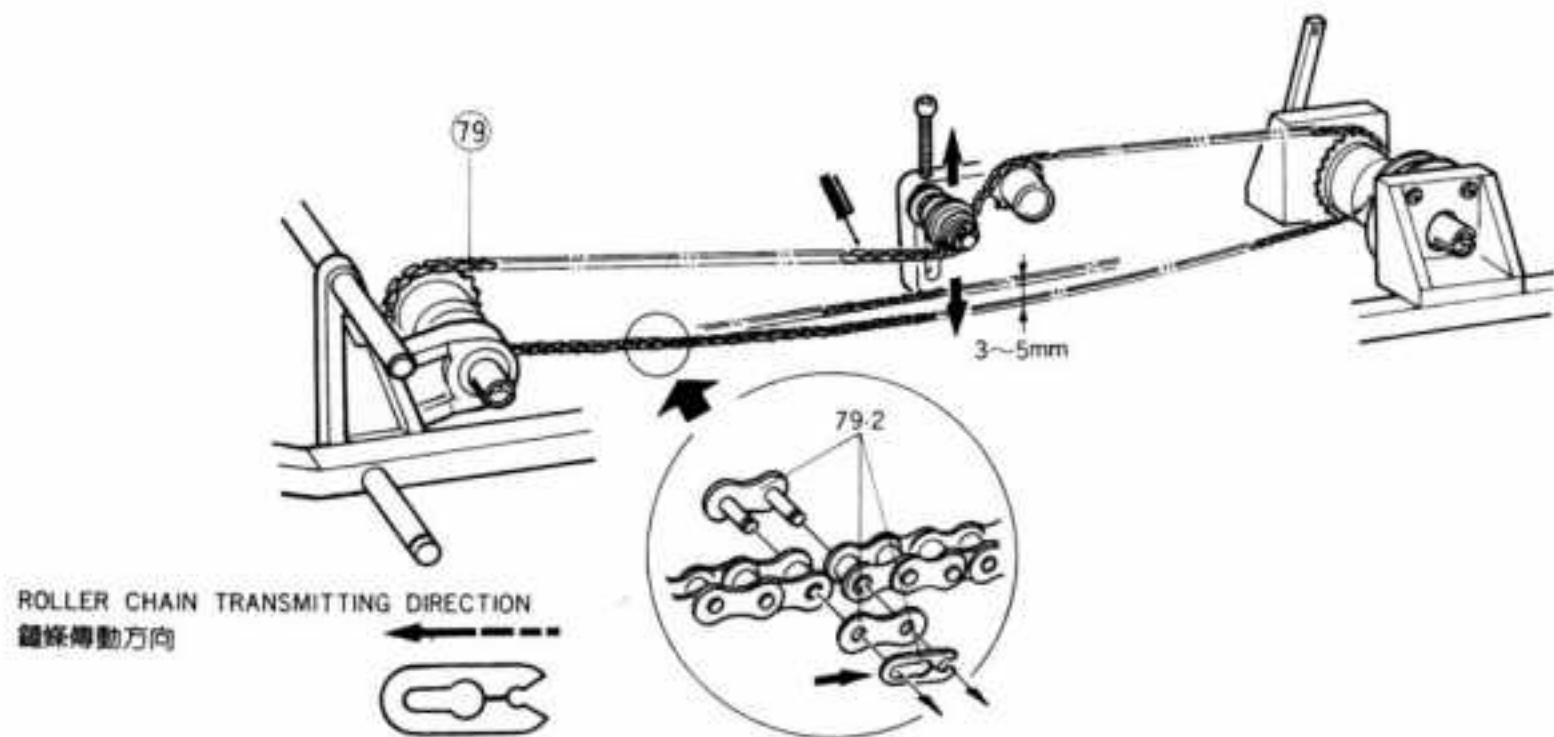
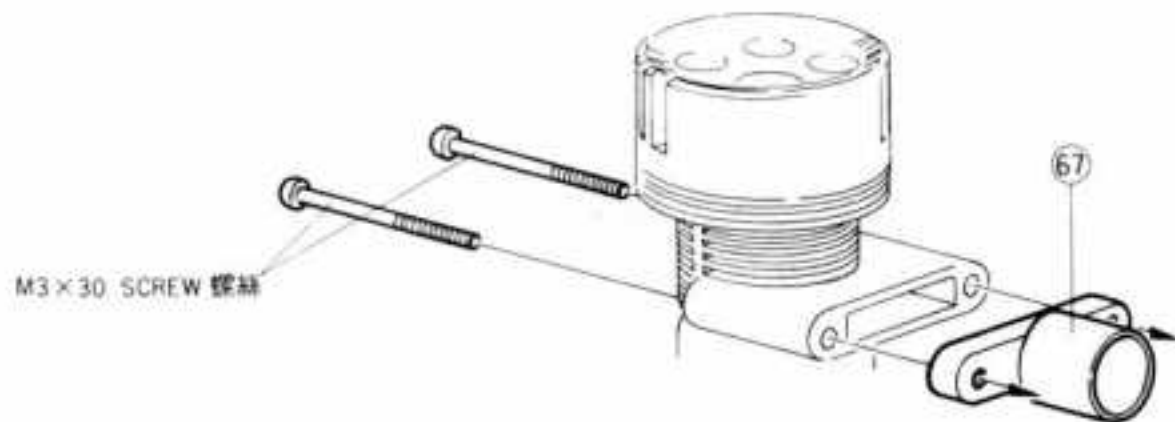


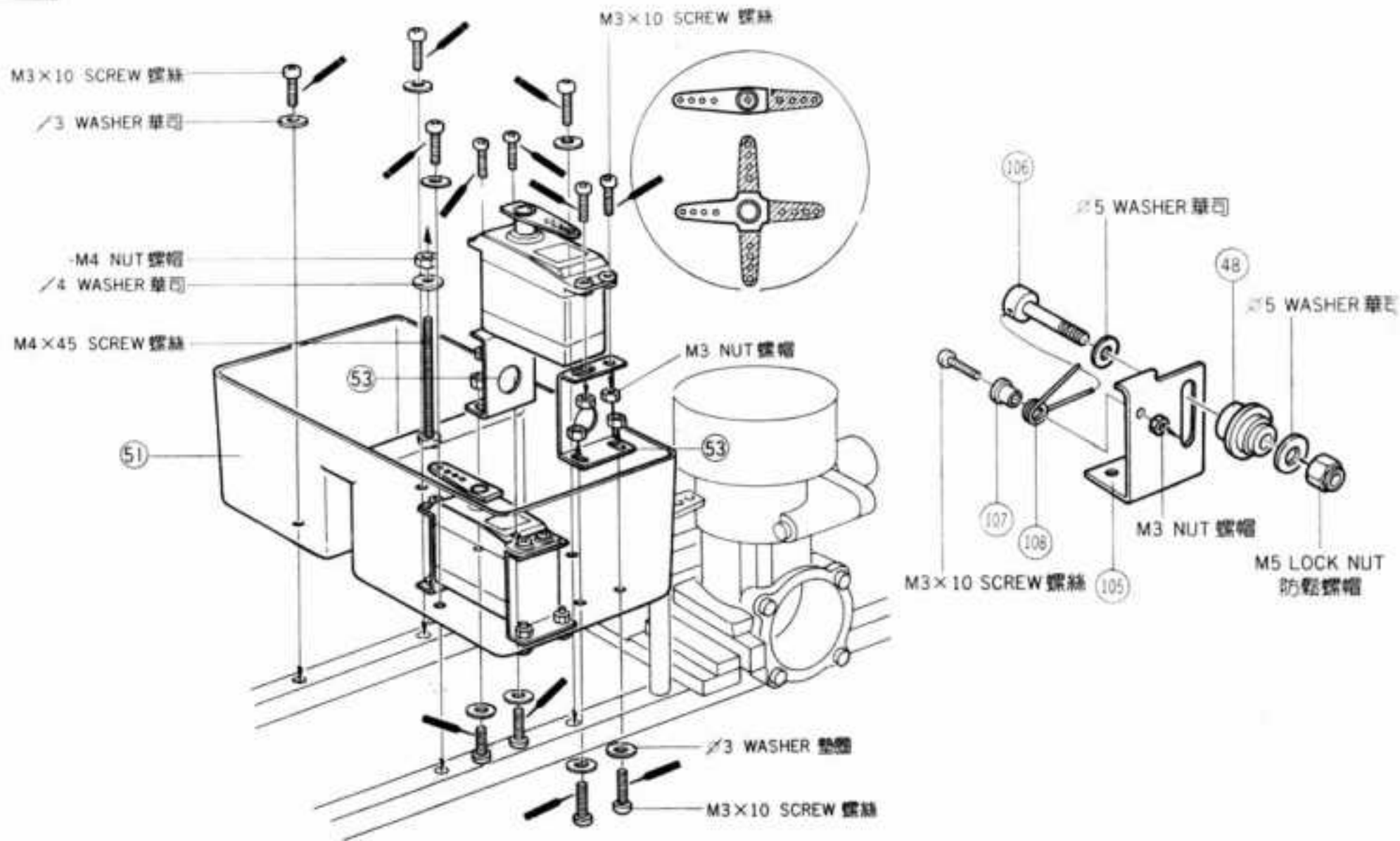


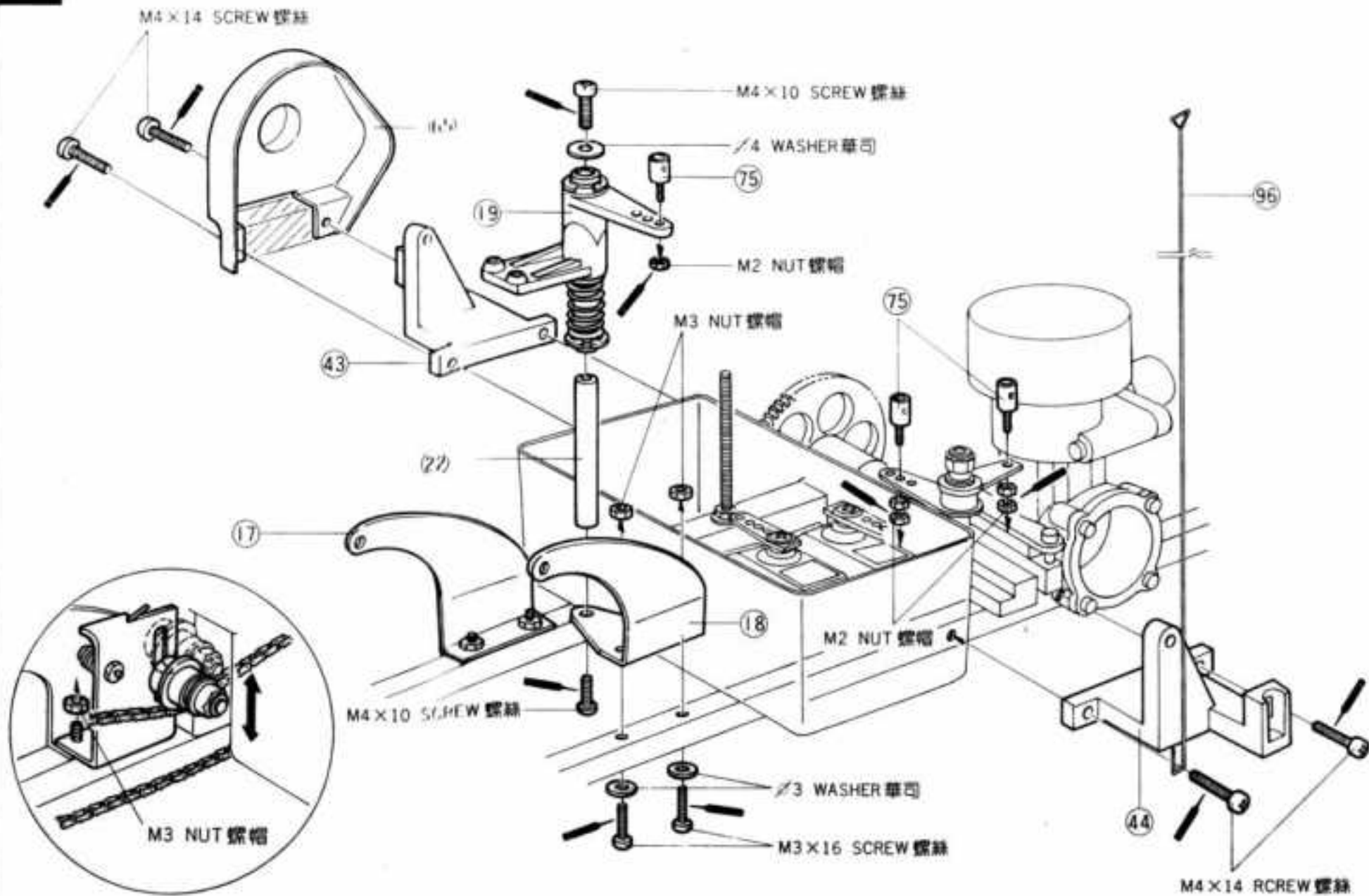


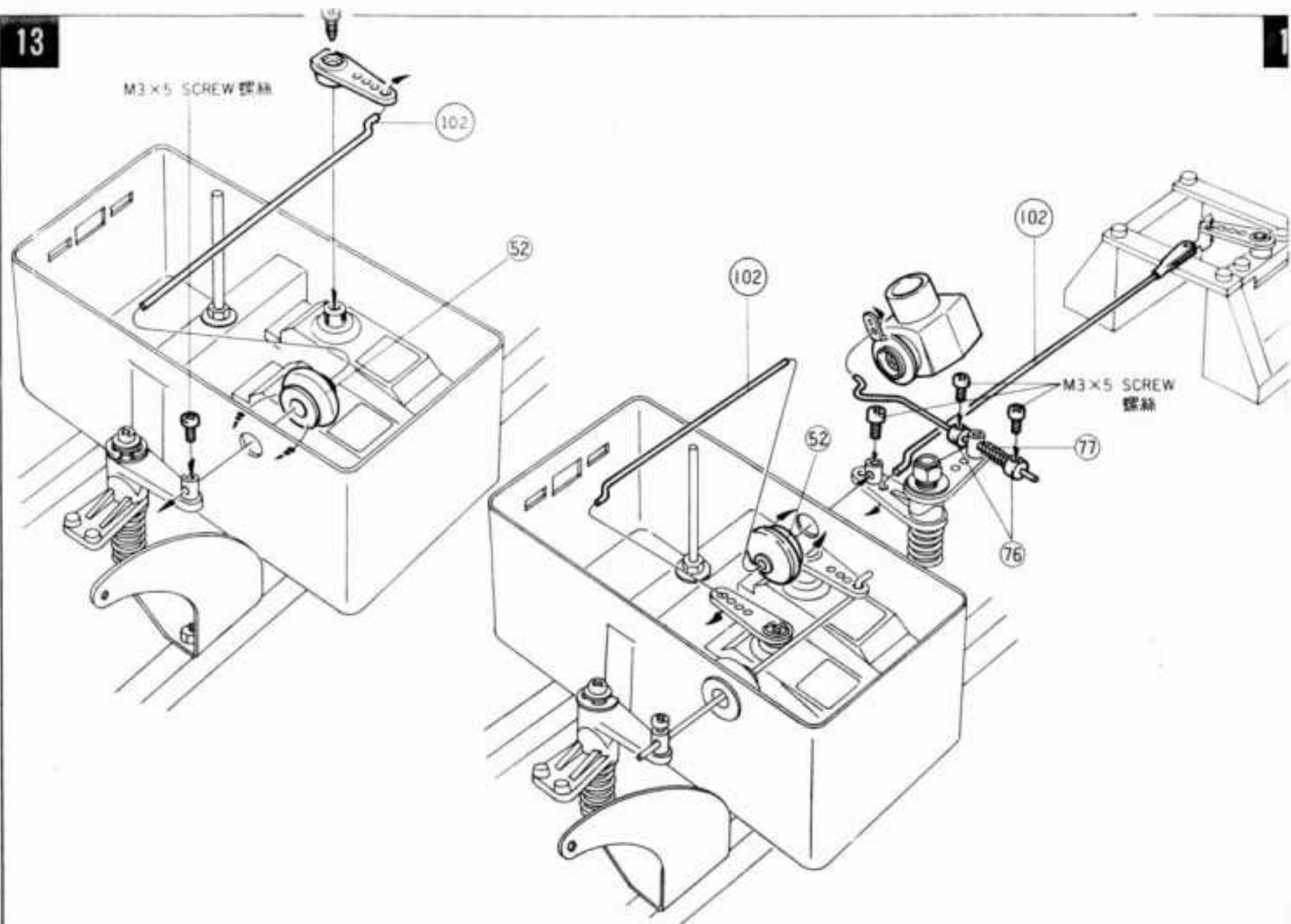


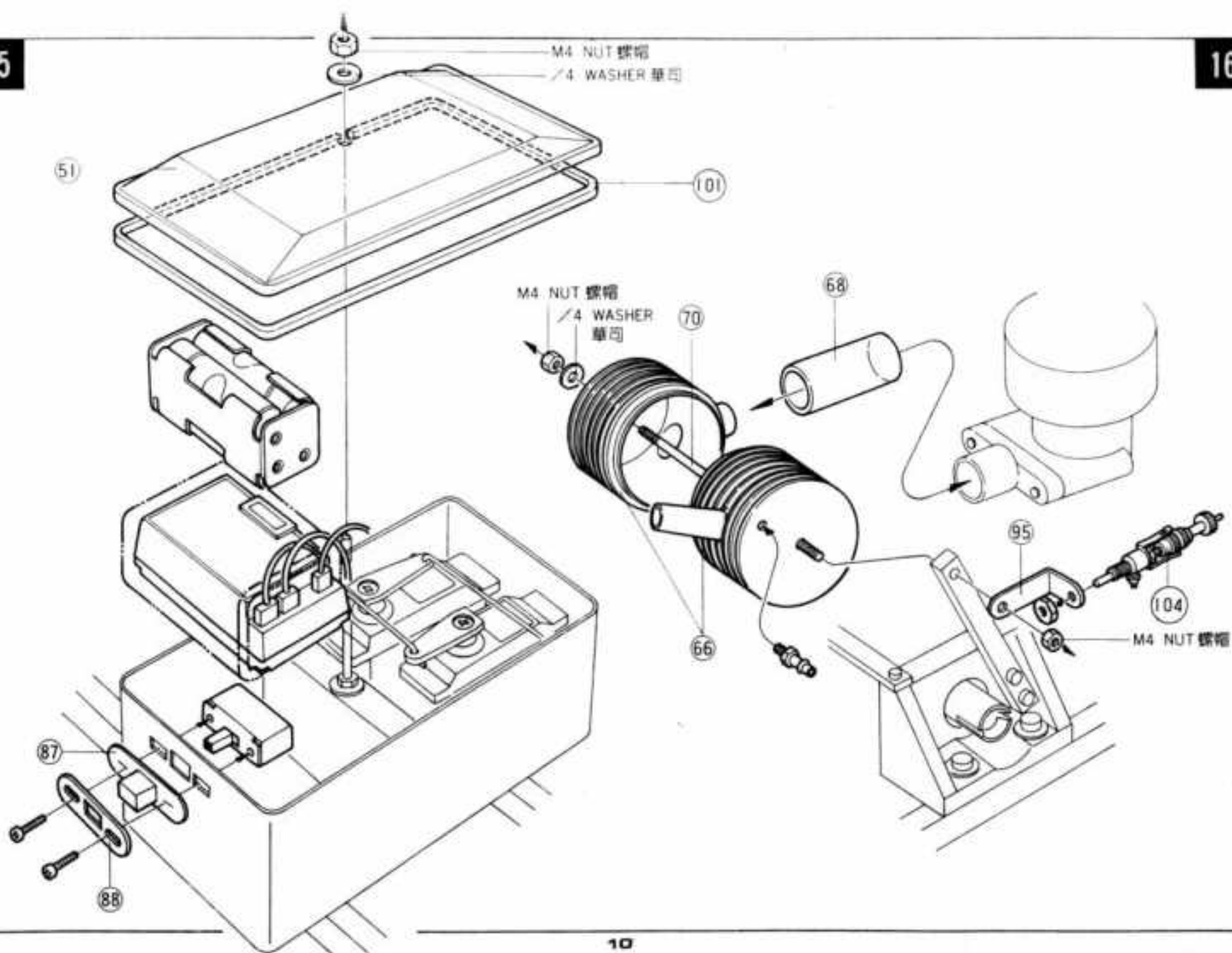


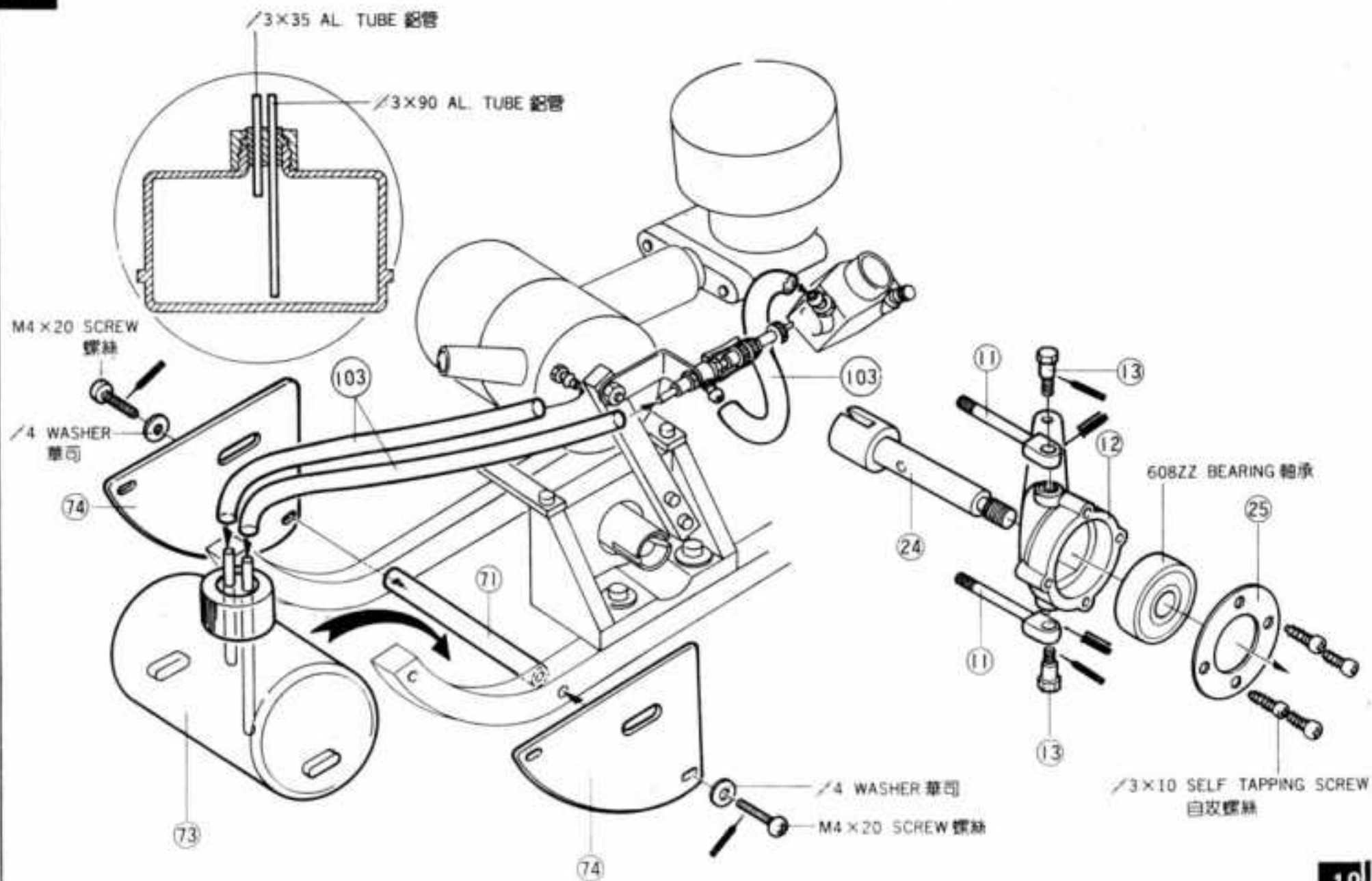


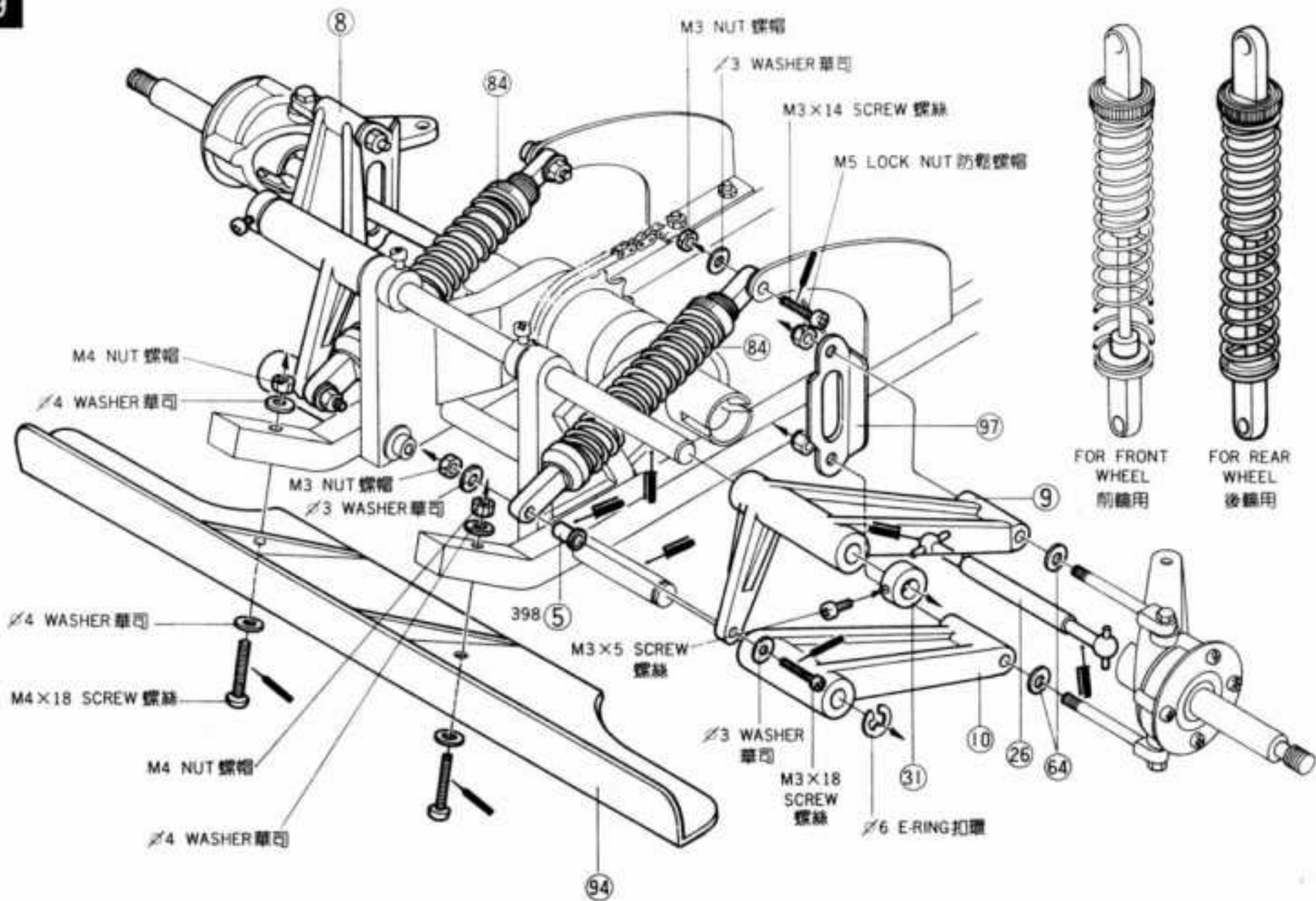


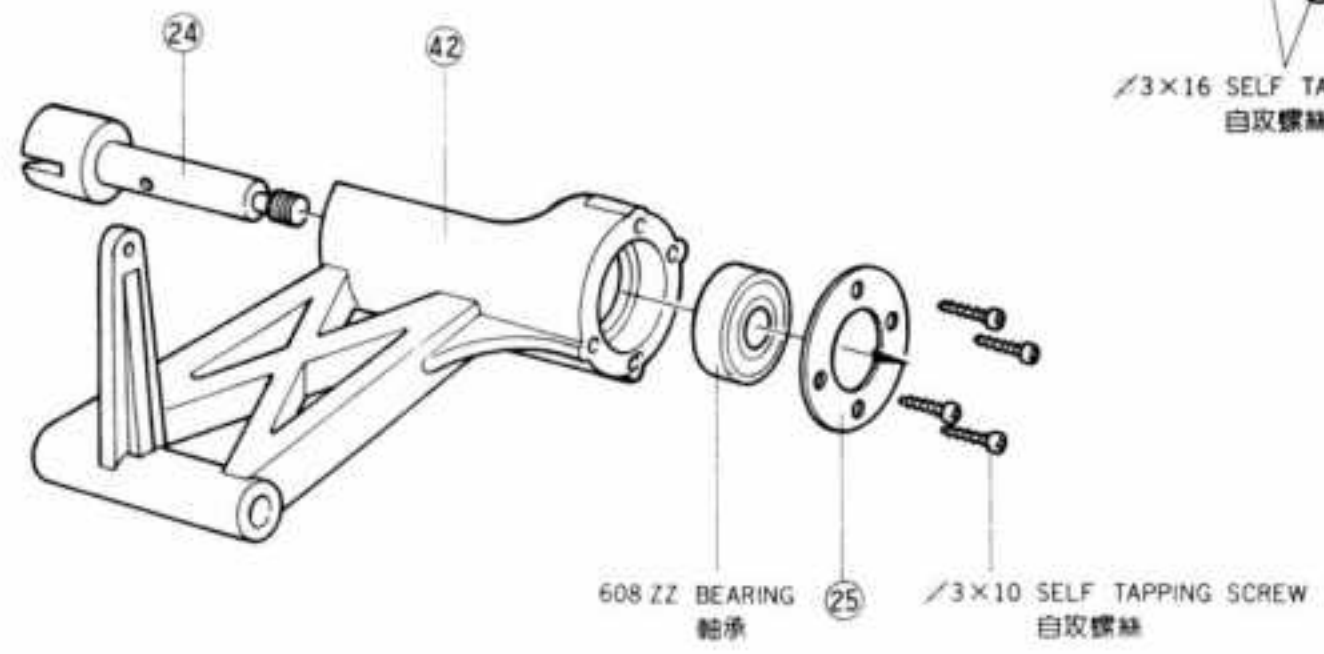
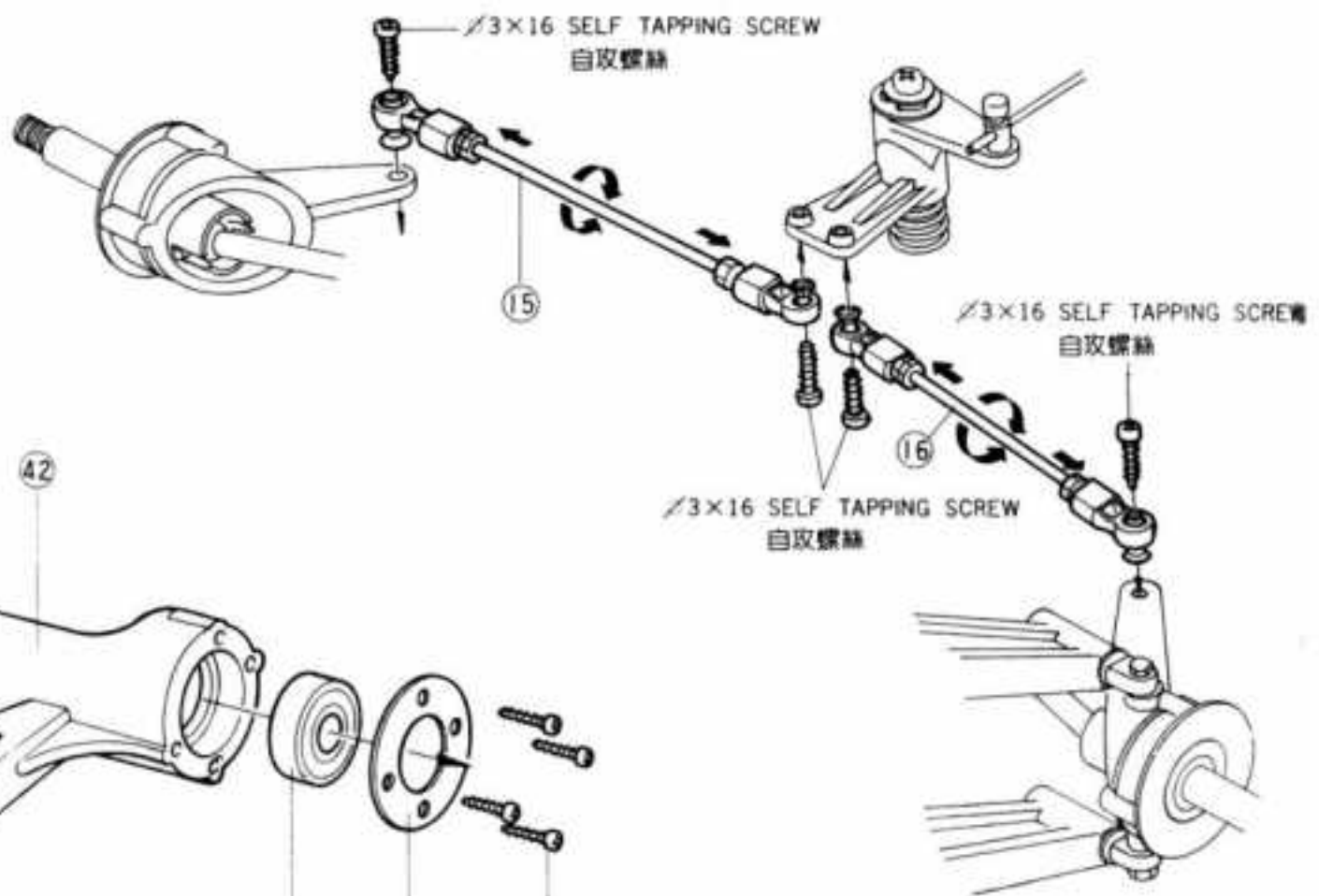


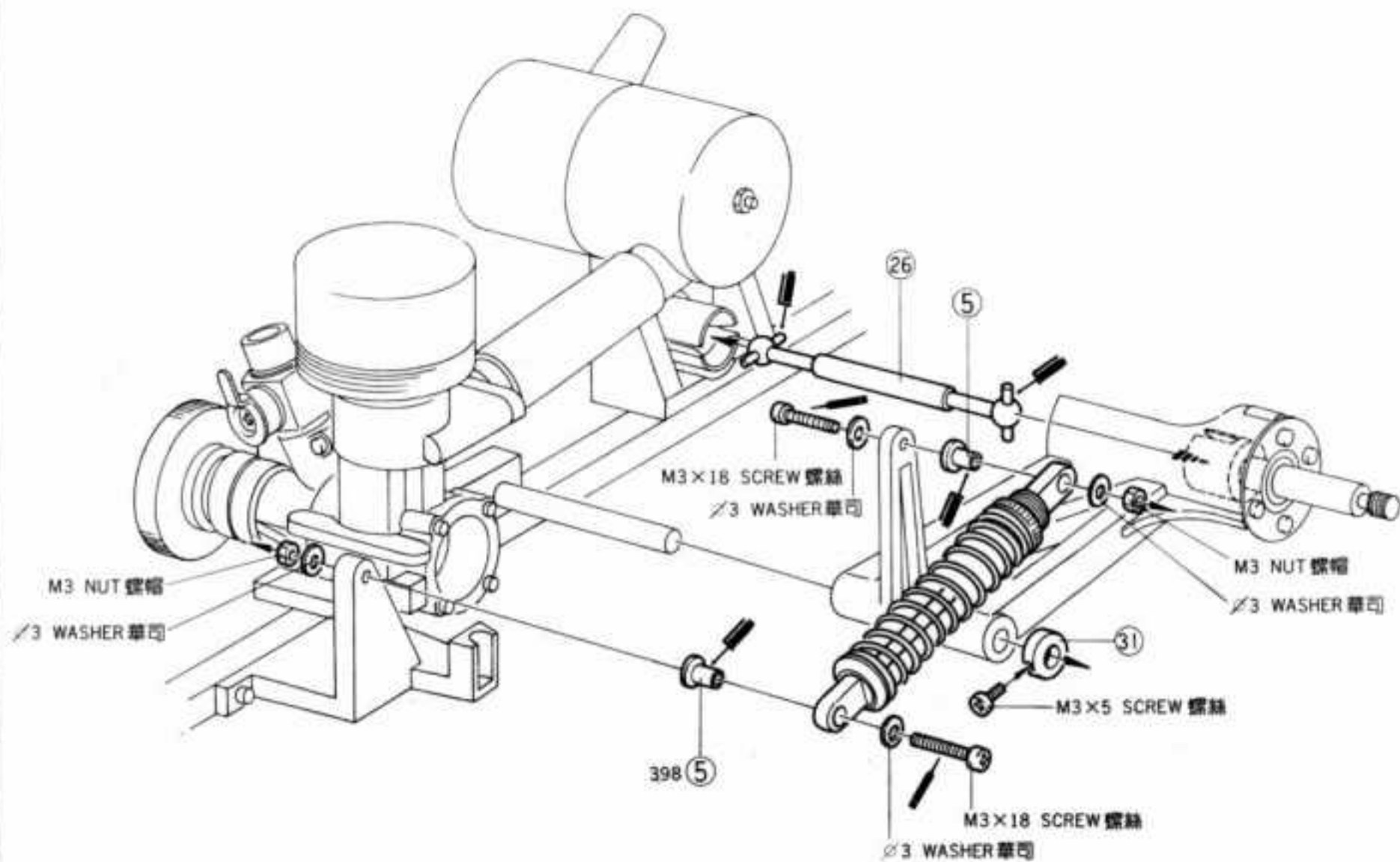




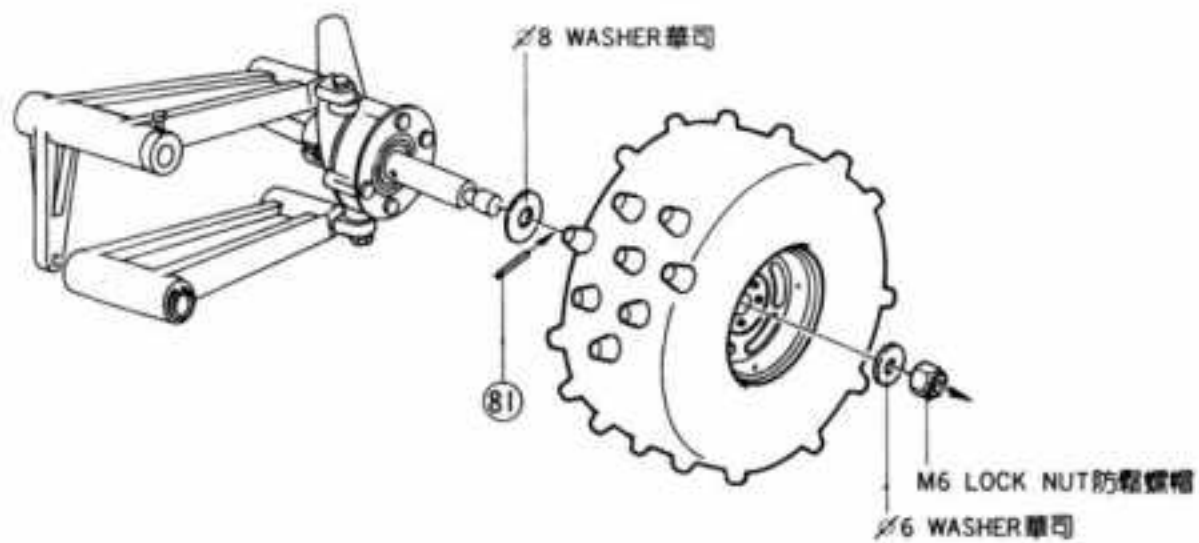
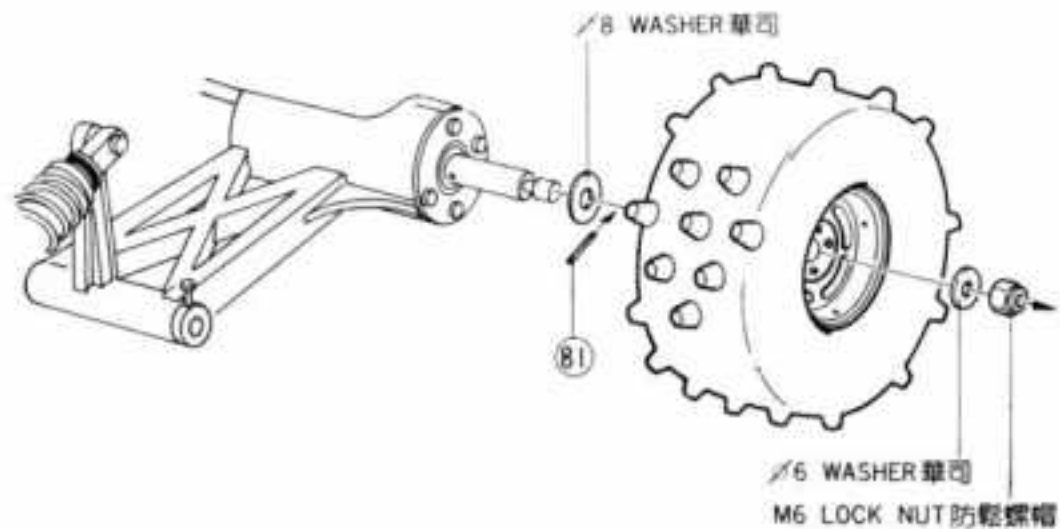
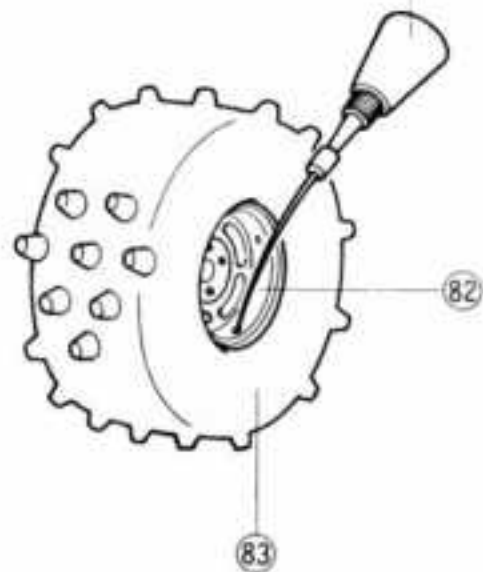


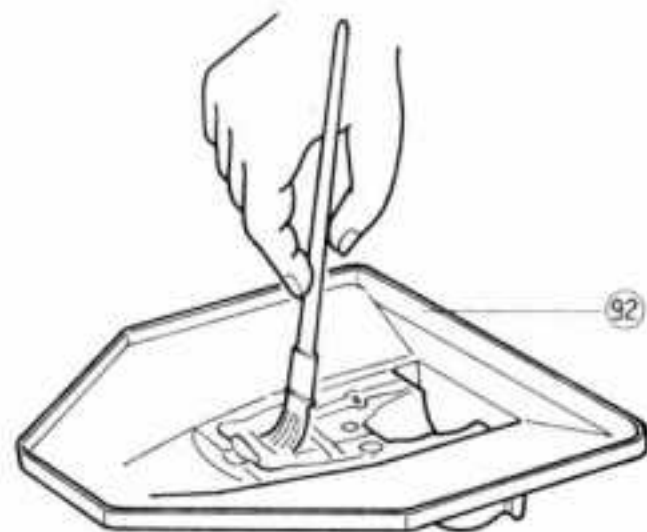
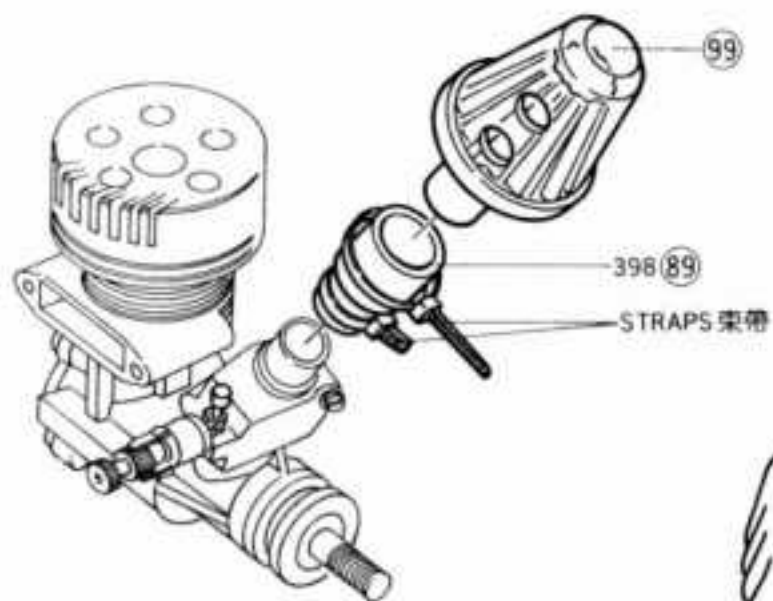




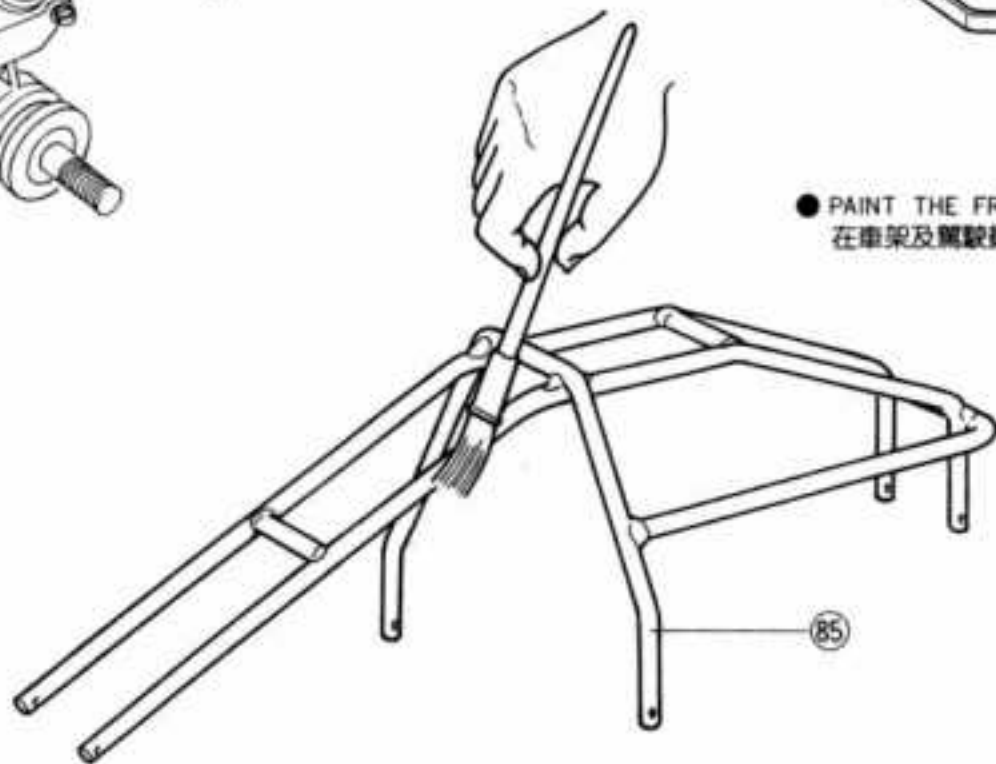


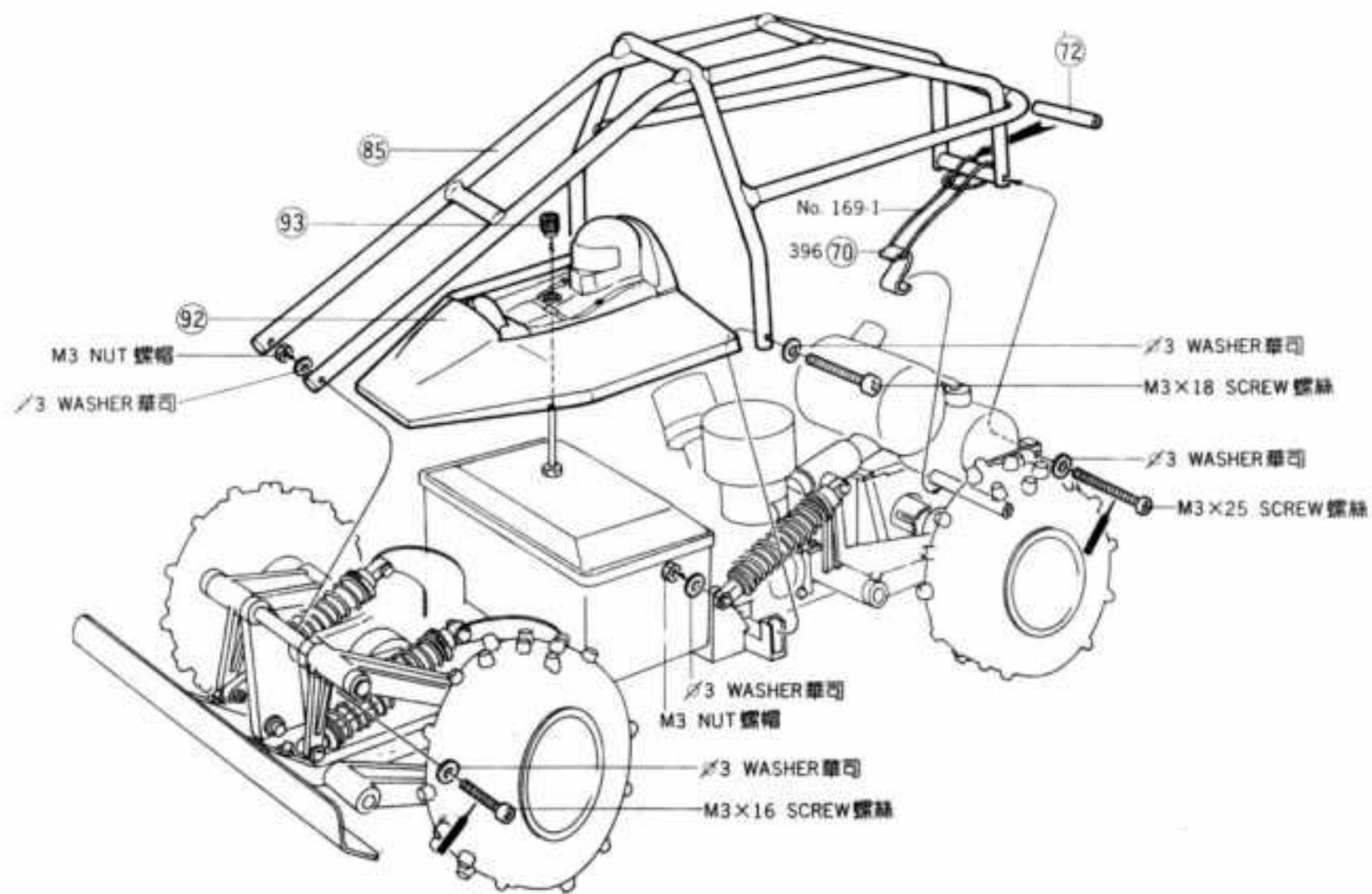
α-CYANOACRYLATE ADHESIVE  
瞬間接著劑

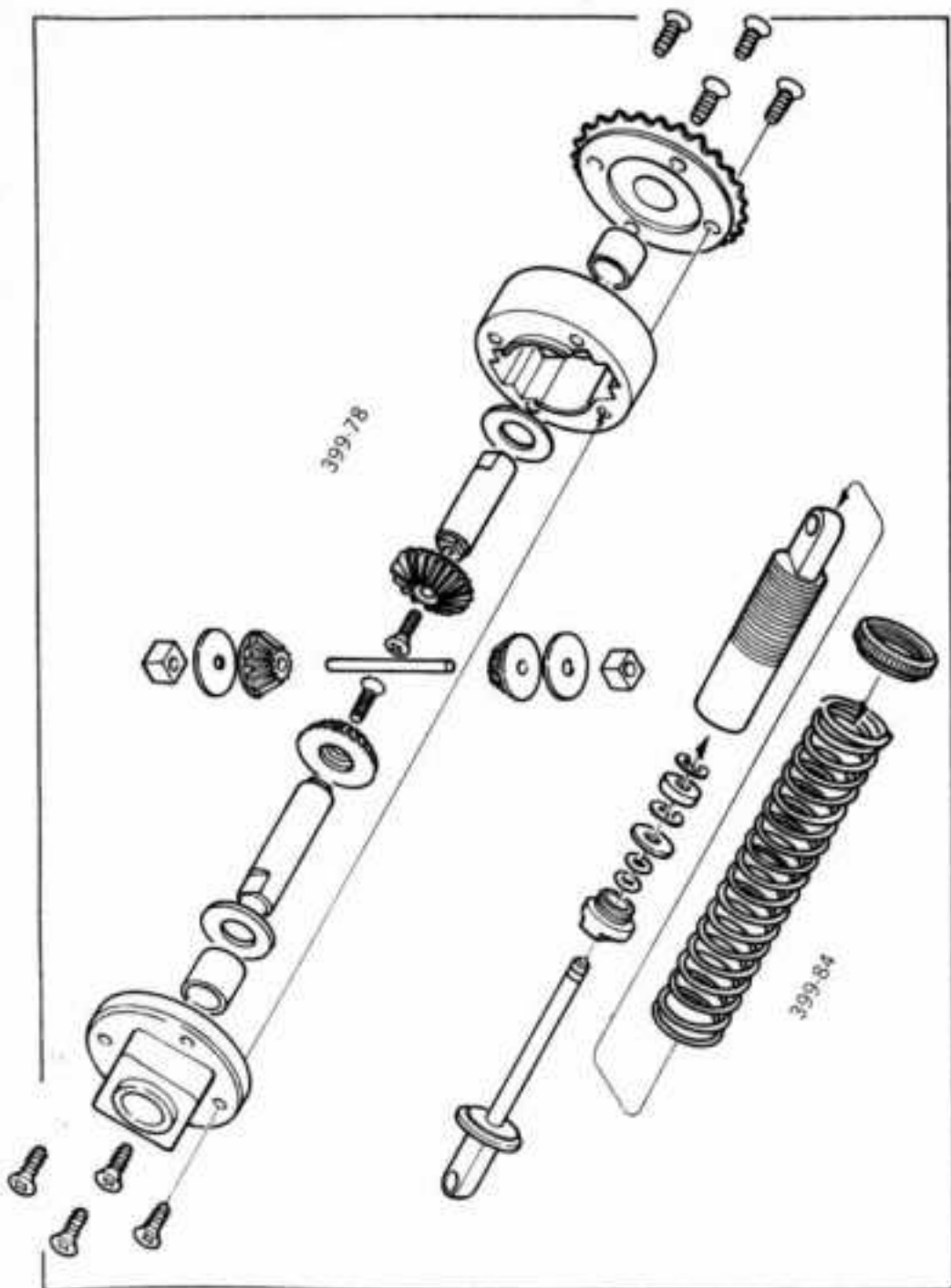




- PAINT THE FRAME AND DRIVER WITH FAVORITE COLOR  
在車架及駕駛員內筒塗上您喜愛的顏色。





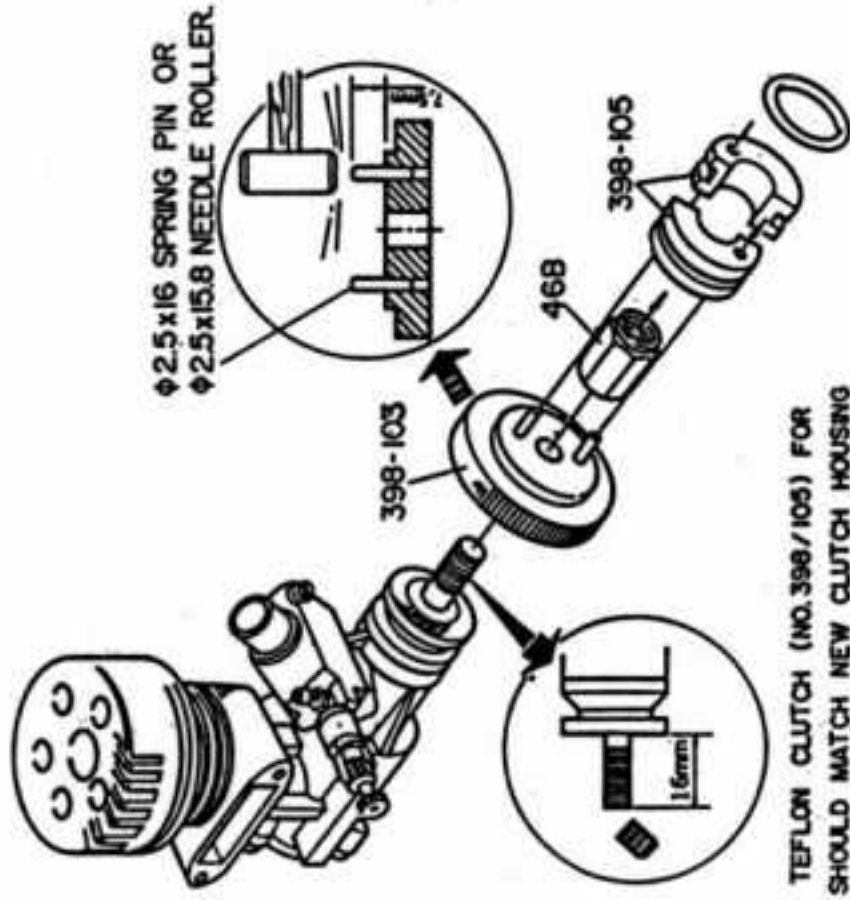


編號 ITEM NO.	品名	DESIGNATION	數量 Q'TY
399-1	大樑	CHASSIS	2
* 2	前輪臂固定架(右)	FRONT AXLE SUPPORT (R)	1
* 3	前輪臂固定架(左)	FRONT AXLE SUPPORT (L)	1
* 4	前車架固定樑	FRONT CROSS BAR	1
* 5	固定鋼套	BUSHING	8
* 6	前輪臂支柱(短)	FRONT ARM PIVOT (S)	2
* 7	前輪臂支柱(長)	FRONT ARM PIVOT (L)	1
* 8	前輪臂(右上)	FRONT ARM (UPPER, RIGHT)	1
* 9	前輪臂(左上)	FRONT ARM (UPPER, LEFT)	1
* 10	前輪臂(下)	FRONT ARM (LOWER)	2
* 11	轉向座固定柄	KNUCKLE COUPLING PIN	4
* 12	前輪轉向座	STEERING KNUCKLE	2
* 13	大王柄	KING PIN	4
* 14	球形連桿頭	BALL LINK	4
* 15	前繫桿(長)	TIE ROD (L)	1
* 16	前繫桿(短)	TIE ROD (S)	1
* 17	避震器固定座(右)	OIL DAMPER BRACKET (R)	1
* 18	避震器固定座(左)	OIL DAMPER BRACKET (L)	1
* 19	轉向曲柄組	STEERING CRANK SET	1
* 22	轉向曲柄軸	STEERING CRANK POST	1
* 23	萬向節	UNIVERSAL JOINT	4
* 24	輪軸	AXLE	4
* 25	軸承壓板	BEARING RETAINER	4
* 26	傳動軸	DRIVE AXLE	4
* 27	引擎座滑動端	ENGINE MOUNT SLIDING SIDE	1
* 28	引擎座固定端	ENGINE MOUNT FIXED SIDE	1
* 29	後輪臂固定座	PIVOT CLAMP	3
* 30	後輪臂支柱	REAR ARM PIVOT	1
* 31	軸環	COLLAR	4
* 32	後軸承座(右)	REAR AXLE BEARING BLOCK (R)	1
* 33	後軸承座(左)	REAR AXLE BEARING BLOCK (L)	1
* 34	軸承座連接桿	BEARING BLOCK JOINER	2
* 35	剎車壓片導桿	BRAKE SHOE GUIDE	2
* 36	剎車壓片	BRAKE SHOE	2
* 37	凸輪	CAM	1

編號 ITEM NO.	品名	DESIGNATION	數量 Q'TY	編號 ITEM NO.	品名	DESIGNATION	數量 Q'TY
399-38	凸輪壓片	CAM RETAINER	1	399-73	油箱	FUEL TANK	1
- 39	剎車控制片	BRAKE ARM	1	- 74	油箱固定片	FUEL TANK HOLDER	2
- 40	剎車盤	BRAKE DISC	1	- 75	連桿固定座	PUSH ROD CONNECTOR	3
- 41	後輪臂(右)	REAR ARM (R)	1	- 76	連桿軸環	PUSH ROD COLLAR	2
- 42	後輪臂(左)	REAR ARM (L)	1	- 77	連桿彈簧	OVER RIDE SPRING	1
- 43	車架固定座(右)	FRAME SUPPORT (R)	1	- 78	差速器	DIFFERENTIAL GEAR BOX	2
- 44	車架固定座(左)	FRAME SUPPORT (L)	1	- 79	鏈條	ROLLER CHAIN	1
- 45	齒輪座	TRANSVERSE MOUNT	1	- 81	輪軸插梢	AXLE PIN	4
- 46	小齒輪	DRIVE SPROCKET	1	- 82	輪殼	HUB	4
- 47	從動止齒輪	DRIVEN GEAR	1	- 83	輪胎	TIRE	4
- 48	惰輪	IDLE WHEEL	1	- 84	油壓避震器	OIL DAMPER	4
- 49	惰輪軸	IDLE WHEEL SHAFT	1	- 85	車架	FRAME	1
- 50	引擎壓板	ENGINE CLAMP	2	- 86	貼紙	STICKER	1
- 51	無線電保護盒	RADIO BOX	1	- 87	開關防水套	WATER PROOF COVER OF SWITCH	1
- 52	連桿防水套	PUSH ROD SEAL	2	- 88	開關壓片	SWITCH FIX PLATE	1
- 53	伺服器固定座	SERVO MOUNT	4	- 92	駕駛員	DRIVER	1
- 54	絞盤	STEERING PULLER	1	- 93	駕駛員固定螺帽	DRIVER MOUNTING NUT	1
- 55	絞盤支柱	STEERING PULLER POST	1	- 94	保險桿	BUMPER	1
- 56	飛輪	FLY WHEEL	1	- 95	油針托架	NEEDLE VALVE BRACKET	1
- 57	離合器墊片	CLUTCH BACK-UP WASHER	1	- 96	天線	ANTENNA	1
- 58	引擎中心螺帽	ENGINE CENTER NUT	2	- 97	轉向止片	STEERING STOPPER	1
- 59	離合器	CLUTCH	2	- 98	鏈條清除鈎	CHAIN SWEEPER	1
- 60	離合器彈簧	CLUTCH SPRING	2	- 99	空器濾清器	AIR CLEANER SET	1
- 61	來令片	LINING	1	- 100	說明書	ASSEMBLY INSTRUCTION	1
- 62	離合器罩	CLUTCH BELL	1	- 101	保護盒防水條	RADIO BOX SEAL	1
- 63	滾針軸承	NEEDLE BEARING	1	- 102	可調式連動桿(鐵)	STEEL KWIK-LINK	3
- 64	墊片	WASHER	1	- 103	耐熱油管	FUEL LINE	1
- 65	齒輪護蓋	GEAR COVER	1	- 104	油針組	R/C NEEDLE VALVE SET	1
- 66	消音器	MUFFLER	1	- 105	張力輪固定架	TENSION IDLE WHEEL BRACKET	1
- 67	消音器接頭	HEADER	1	- 106	張力惰輪軸	TENSION IDLE WHEEL SHAFT	1
- 68	消音器連接管	SILICONE TUBE	1	- 107	彈簧固定座	SPRING HOLDER	1
- 69	消音器固定桿	MUFFLER SUPPORT	1	- 108	張力輪彈簧	TENSION IDLE WHEEL SPRING	1
- 70	消音器螺桿	MUFFLER STUD	1	- 109	螺絲防鬆劑	ANAEROBIC ADHESIVE	1
- 71	長橫桿	CROSS BAR (L)	1				
- 72	短橫桿	CROSS BAR (S)	1				

**THUNDER TIGER MODEL CO.**

PRINTED IN TAIWAN R.O.C.



WE ARE USING NEW TEFLON CLUTCH (NO.398/105) FOR CHALLENGER. WHICH SHOULD MATCH NEW CLUTCH HOUSING COVER (NO.398/104) AND NEW DRIVE WHEEL (NO.398/103).